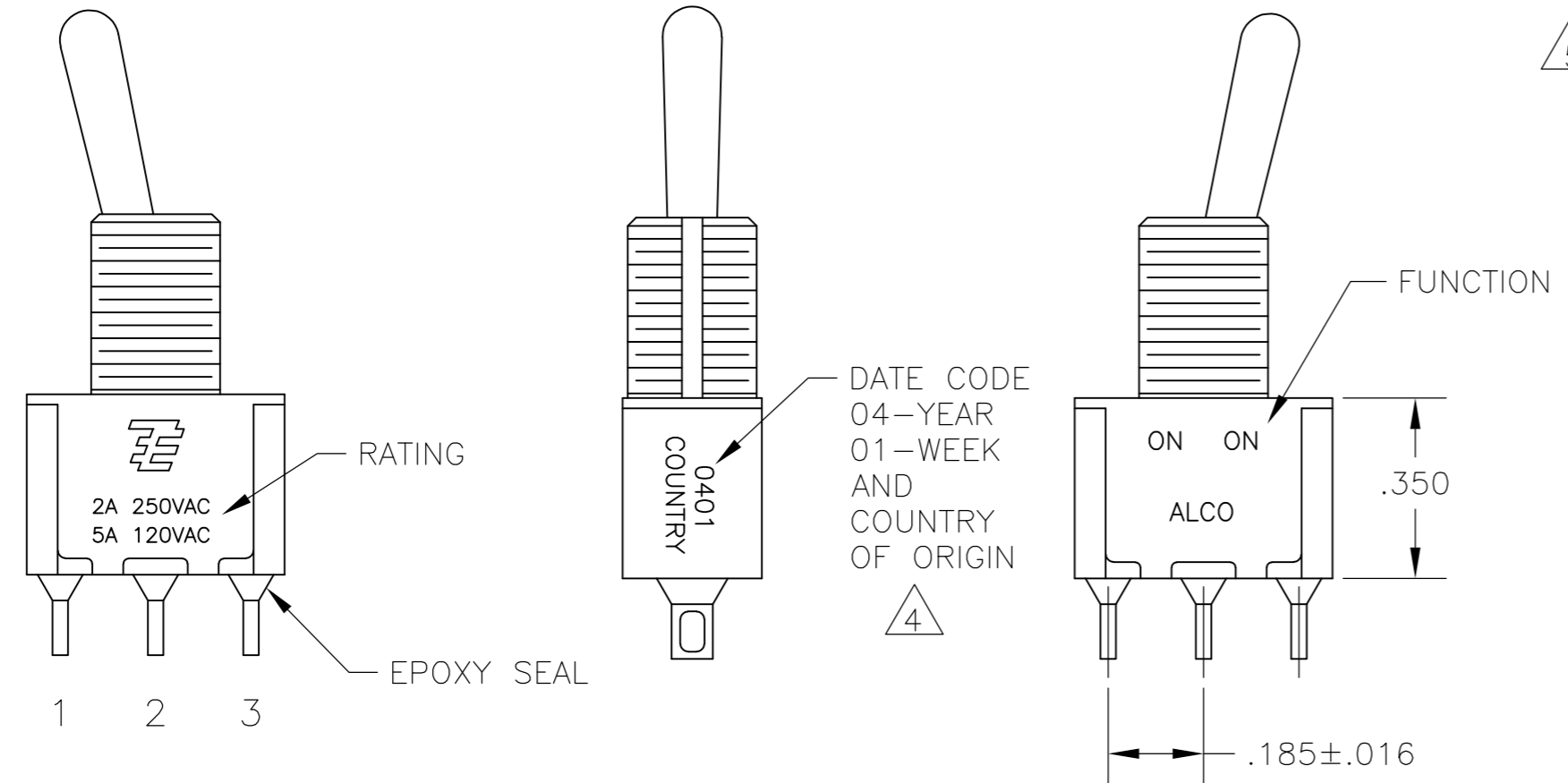
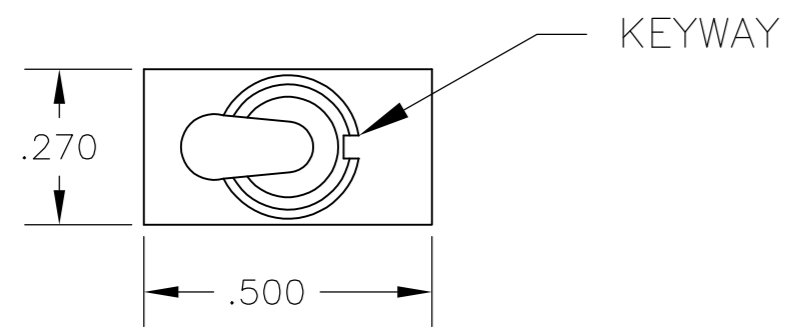


THIS DRAWING IS UNPUBLISHED. RELEASED FOR PUBLICATION  
 © COPYRIGHT - By - ALL RIGHTS RESERVED.

| LOC |     | DIST        |                           | REVISIONS |         |      |    |
|-----|-----|-------------|---------------------------|-----------|---------|------|----|
| P   | LTR | DESCRIPTION |                           | DATE      | DWN     | APVD |    |
| AD  | 00  | A6          | REVISED PER ECO-13-000374 |           | 10JAN13 | KH   | PO |

NOTES:

- ALL MATERIALS AND FINISHES SHALL COMPLY WITH EU DIRECTIVE 2002/95/EC OF 27JAN2003 (ROHS).
  - EACH SWITCH WITH THREADED BUSHINGS SUPPLIED WITH THE FOLLWING MOUNTING HARDWARE:  
 (2) HEX NUTS  
 (1) INTERNAL TOOTH LOCKWASHER  
 (1) LOCATING RING
  - G CONTACT OPTION CAN BE USED FOR SIGNAL OR POWER LEVEL SWITCHING. IF SWITCH IS USED AT LEVELS EXCEEDING .4VA @ 20V AC/DC, SWITCH IS RENDERED FOR POWER SWITCHING ONLY DUE TO ARC REMOVAL OF GOLD PLATING. RATING STAMPED ON FRAME IS 2A 250VAC, 5A 120VAC.
- △4 DATE CODE AND COUNTRY OF ORIGIN MAY APPEAR ON EITHER SIDE OF SWITCH.  
 △5 LENGTH OF TOGGLE REDUCED BY .020 WITH A, AV2, V30 OR V40 VERTICAL SUPPORT BRACKET OPTIONS.



| FUNCTION            | 1 2 3 | 1 2 3 | 1 2 3 |
|---------------------|-------|-------|-------|
| 03                  | ON    | OFF   | ON    |
| 05                  | (ON)  | OFF   | (ON)  |
| 07                  | ON    | OFF   | (ON)  |
| TERMINALS CONNECTED | 2-3   | ---   | 1-2   |

None: No mechanical position  
 Off: Mechanical position with no electrical connection  
 (On): Momentary action

|                                 |  |
|---------------------------------|--|
| RATING, B CONTACTS              | .4VA MAX @20V MAX. AC OR DC              |
| RATING, G CONTACTS—SEE NOTE 3   | .4VA MAX @20V MAX. AC OR DC OR           |
|                                 | 5A @120 VAC OR 28 VDC (RESISTIVE)        |
| RATING, Q CONTACTS              | 2A @250 VAC (RESISTIVE)                  |
|                                 | 5A @120 VAC OR 28 VDC (RESISTIVE)        |
| ELECTRICAL LIFE                 | 6,000 CYCLES AT RATED LOAD               |
| CONTACT RESISTANCE              | 10 MILLIOHMS MAX INITIAL @ 2-4VDC, 100ma |
| INSULATION RESISTANCE           | 1,000 MEGOHMS MIN                        |
| DIELECTRIC WITHSTANDING VOLTAGE | 1,000 V RMS AT SEA LEVEL                 |
| OPERATING TEMPRATURE            | -30C TO 85C                              |

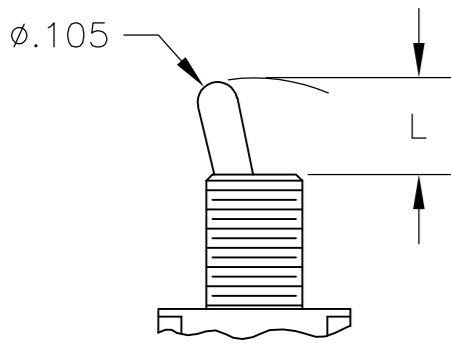
| MODEL | FUNCTION | TOGGLE | BUSHING | TERMINAL | CONTACT | RoHS |
|-------|----------|--------|---------|----------|---------|------|
| A1    | 03       | K      | CW      | A        | B       | 04   |
|       | 05       | K1     | D       | AV2      | G       |      |
|       | 07       | L      | D9      | C        | Q       |      |
|       |          | L1     | H       | V30      |         |      |
|       |          | L2     | Y       | V40      |         |      |
|       |          | M      | Y9      | W        |         |      |
|       |          | P3     |         | W4       |         |      |
|       |          | S      |         | Z        |         |      |
|       |          | T      |         | Z3       |         |      |
|       |          | T1     |         |          |         |      |

EXAMPLE: A103SYCQ04

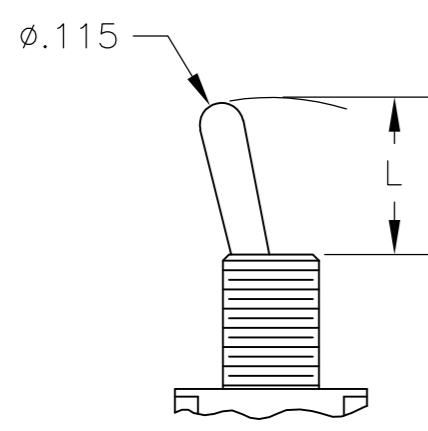
|  |  |                  |         |  |           |            |               |
|--|--|------------------|---------|--|-----------|------------|---------------|
| THIS DRAWING IS A CONTROLLED DOCUMENT. |  | DWN<br>M. ZITTO  | 18MAY05 | <b>TE</b> TE Connectivity  |           |            |               |
| DIMENSIONS: INCHES                     |  | CHK<br>M. ZITTO  | -       |  |           |            |               |
| TOLERANCES UNLESS OTHERWISE SPECIFIED: |  | APVD<br>M. ZITTO | -       | GEMINI A SERIES TOGGLE SWITCH, SINGLE POLE, 3 POSITION FUNCTIONS (03, 05 & 07) |           |            |               |
| 0 PLC ± -                              |  | PRODUCT SPEC     | -       |  |           |            |               |
| 1 PLC ± -                              |  | APPLICATION SPEC | -       | SIZE   | CAGE CODE | DRAWING NO | RESTRICTED TO |
| 2 PLC ± -                              |  | WEIGHT           | -       | A2   | 00779     | C=1825137  | -             |
| 3 PLC ± .010                           |  | CUSTOMER DRAWING |         | SCALE  | SHEET     | REV        |               |
| 4 PLC ± -                              |  |                  |         | 3:1  | 1 of 4    | A6         |               |
| ANGLES ± 2°                            |  |                  |         |  |           |            |               |
| FINISH                                 |  |                  |         |  |           |            |               |

THIS DRAWING IS UNPUBLISHED. RELEASED FOR PUBLICATION  
 © COPYRIGHT - By - ALL RIGHTS RESERVED.

# TOGGLES

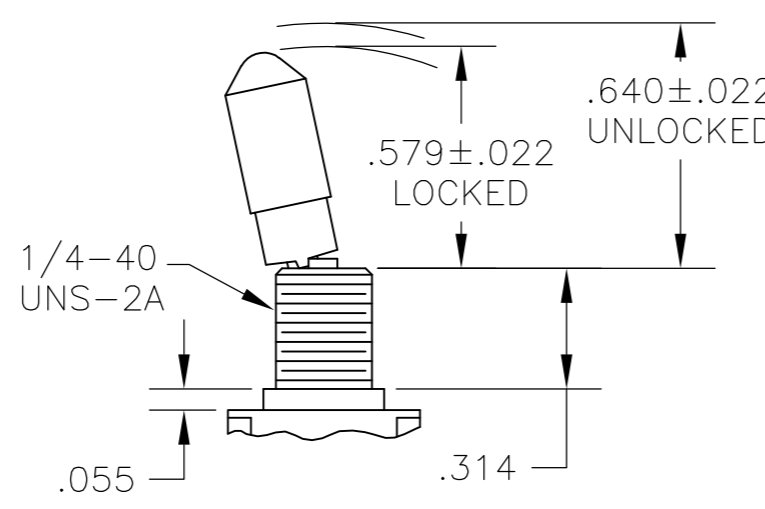


**M** SHORT

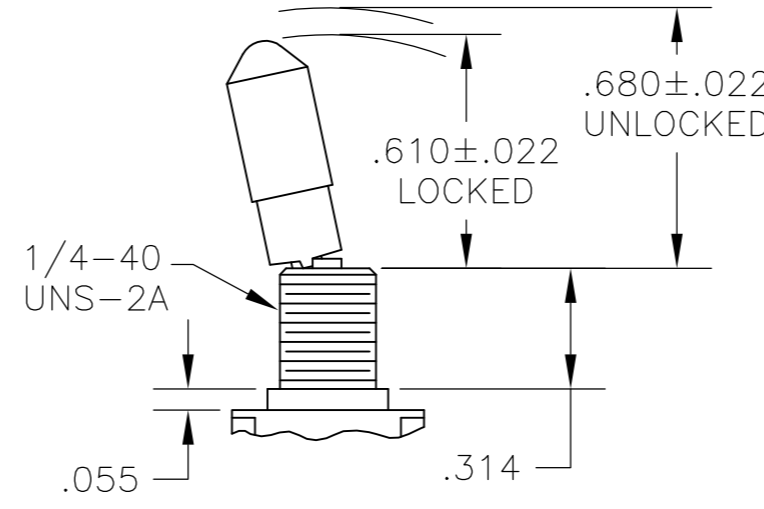


**S** STANDARD

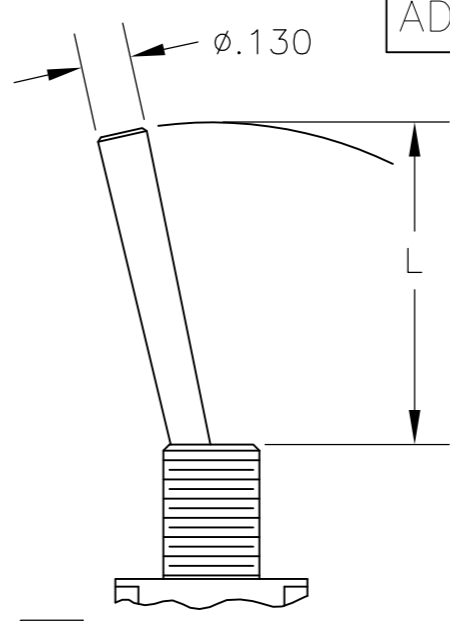
| DIM L | BUSHING TYPE | DIM L | BUSHING TYPE |
|-------|--------------|-------|--------------|
| .200  | Y, H         | .410  | Y, H         |
| .270  | D, D9        | .480  | D, D9        |



**K** NO BUSHING OPTION NEEDED

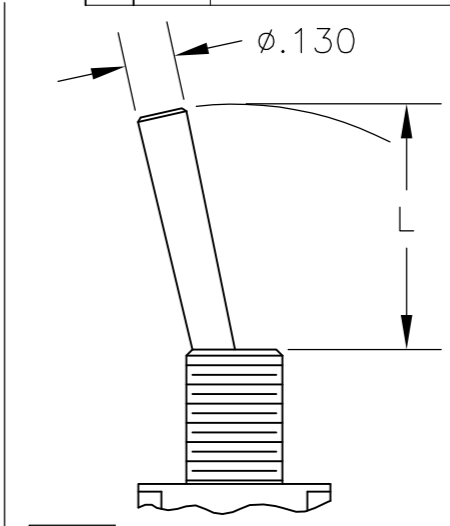


**K1** NO BUSHING OPTION NEEDED



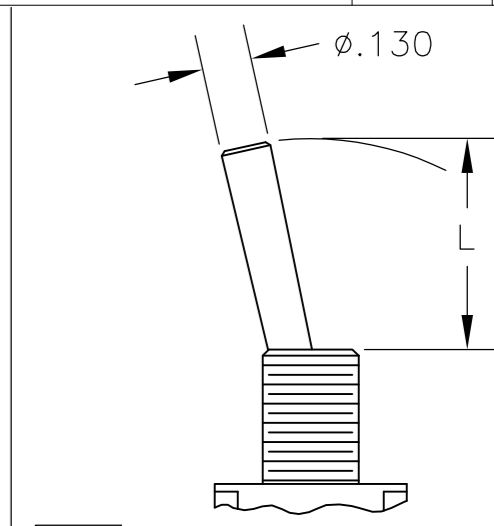
**L** LEVER

| DIM L | BUSHING TYPE |
|-------|--------------|
| .840  | Y, H         |
| .910  | D, D9        |



**L1** LEVER

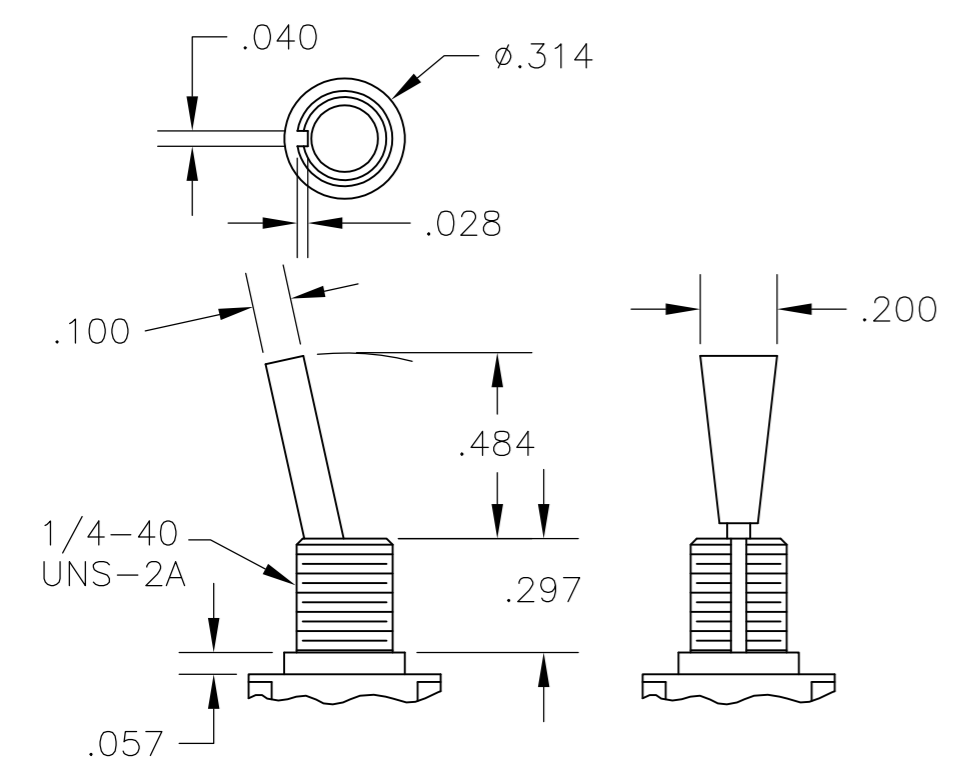
| DIM L | BUSHING TYPE |
|-------|--------------|
| .640  | Y, H         |
| .710  | D, D9        |



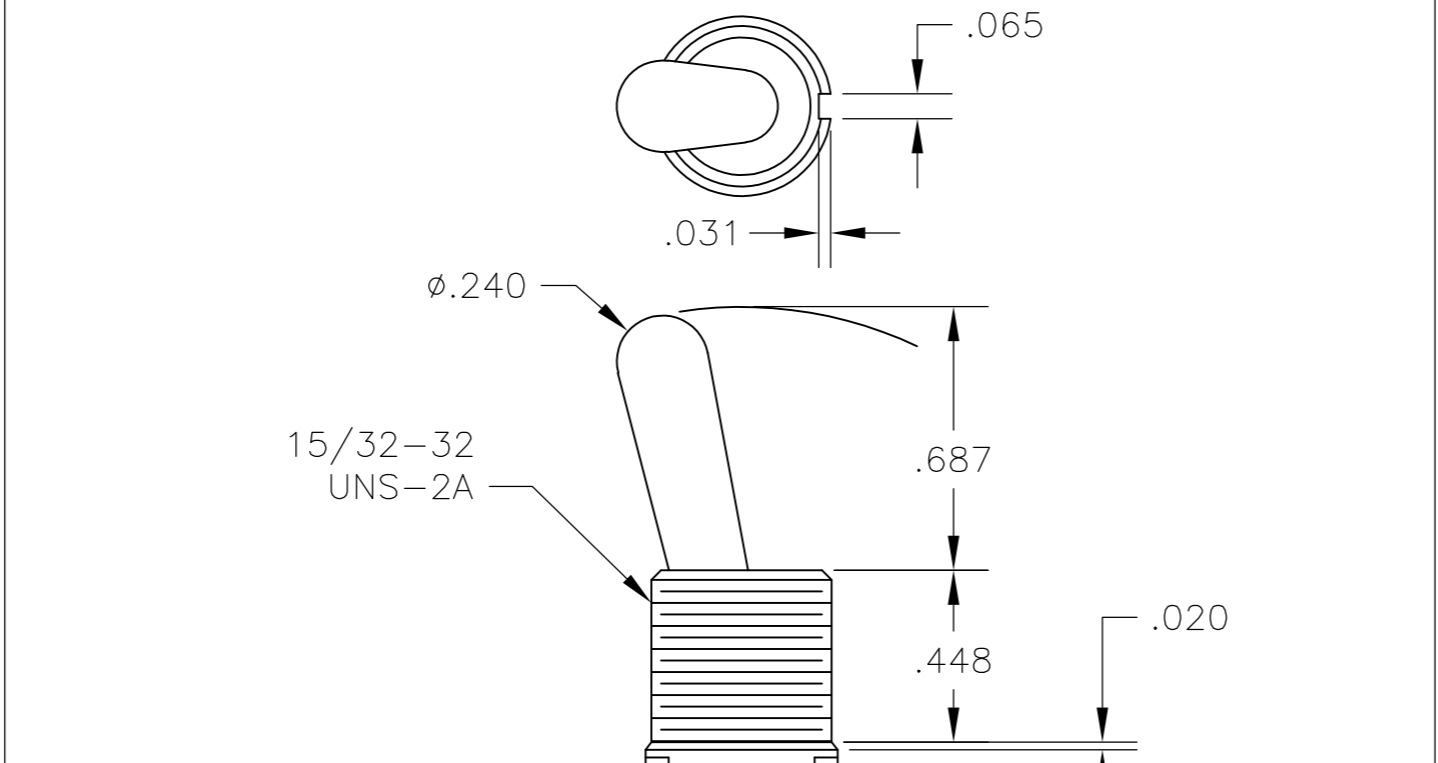
**L2** LEVER

| DIM L | BUSHING TYPE |
|-------|--------------|
| .550  | Y, H         |
| .620  | D, D9        |

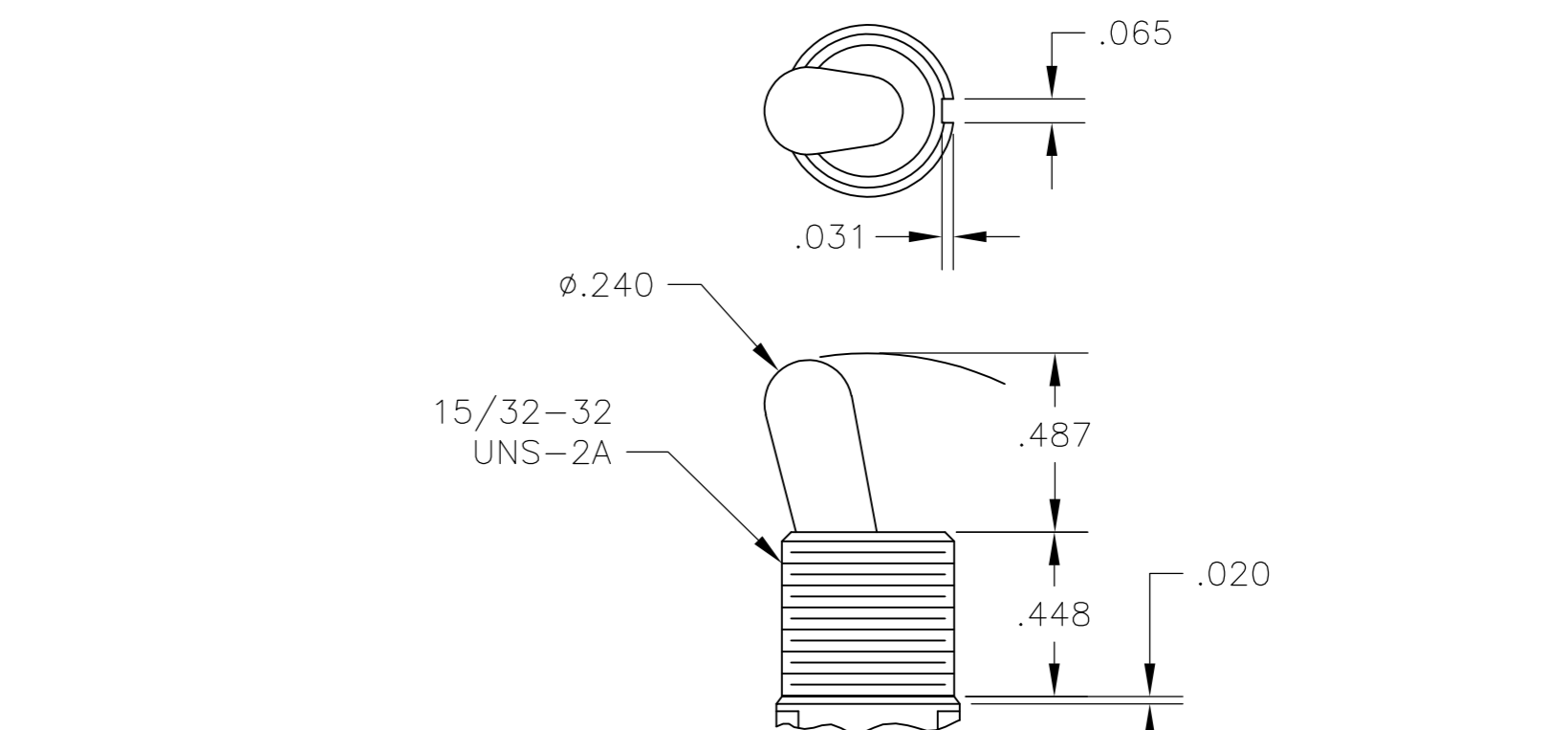
| LOC | DIST | REVISIONS   |      |     |      |
|-----|------|-------------|------|-----|------|
| P   | LTR  | DESCRIPTION | DATE | DWN | APVD |
| AD  | 00   | SEE SHEET 1 | -    | -   | -    |



**P3** NO BUSHING OPTION NEEDED

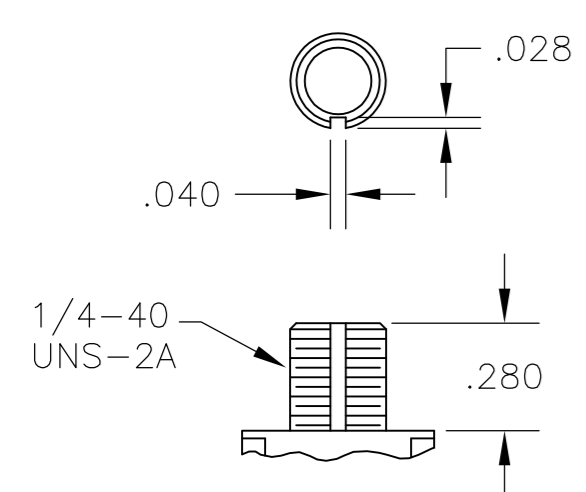


**T** NO BUSHING OPTION NEEDED

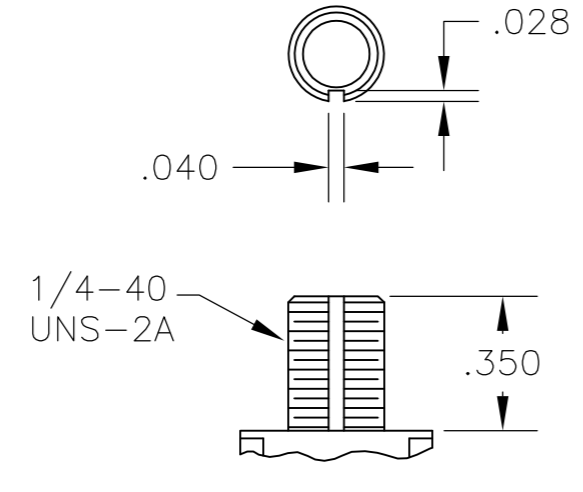


**T1** NO BUSHING OPTION NEEDED

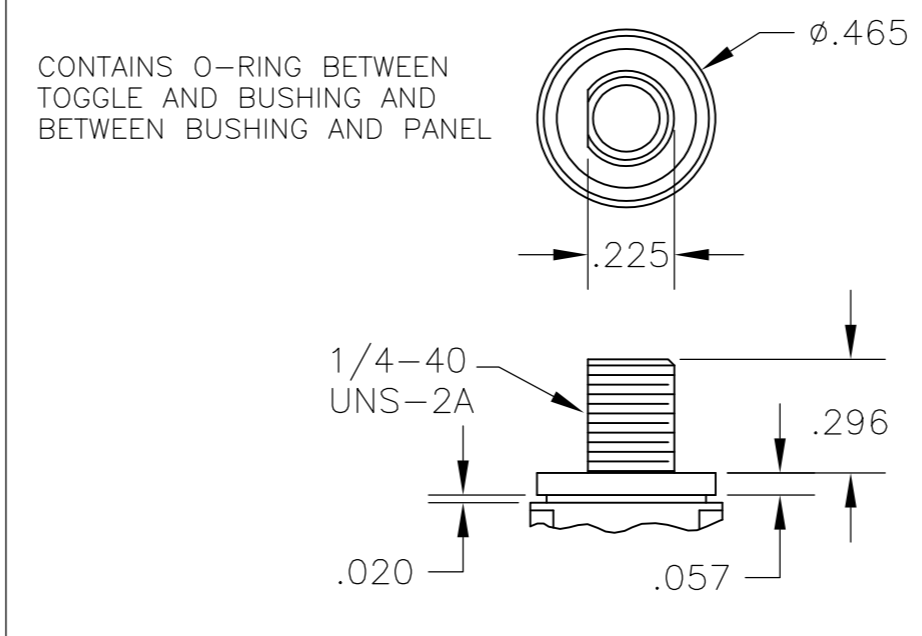
# BUSHINGS



**D** THREADED  
**D9** UNTHREADED

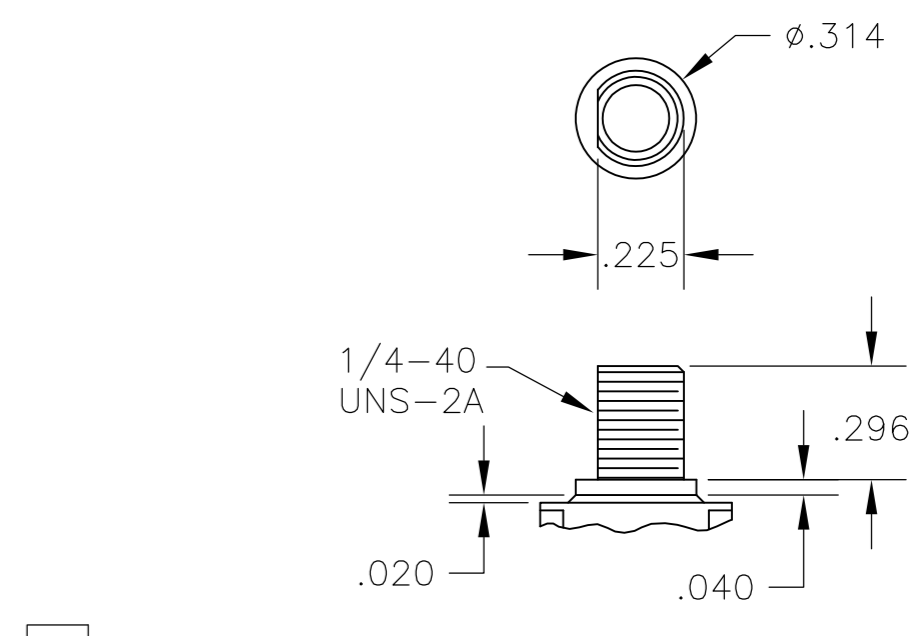


**Y** THREADED  
**Y9** UNTHREADED



**CW** THREADED SPLASHPROOF

CONTAINS O-RING BETWEEN TOGGLE AND BUSHING AND BETWEEN BUSHING AND PANEL

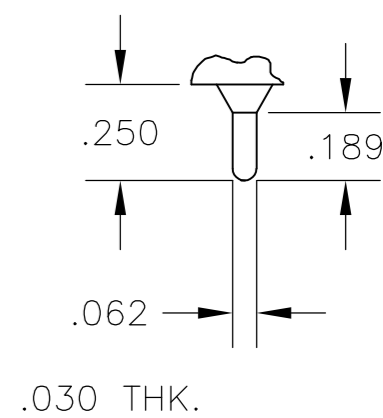
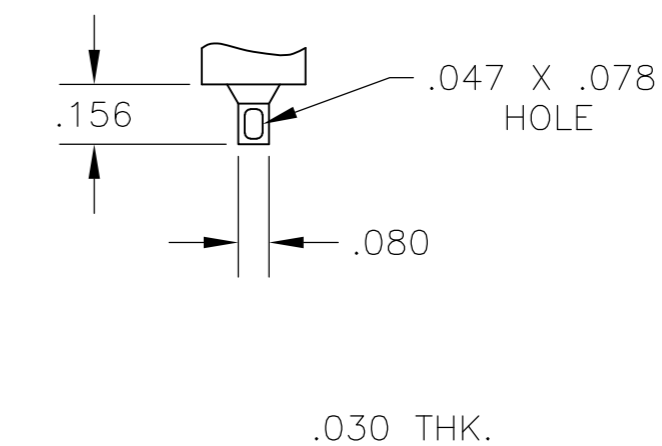
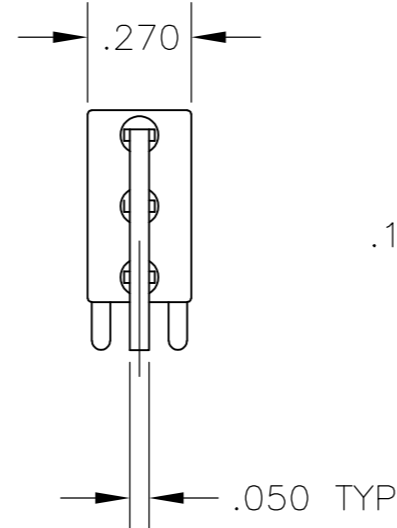
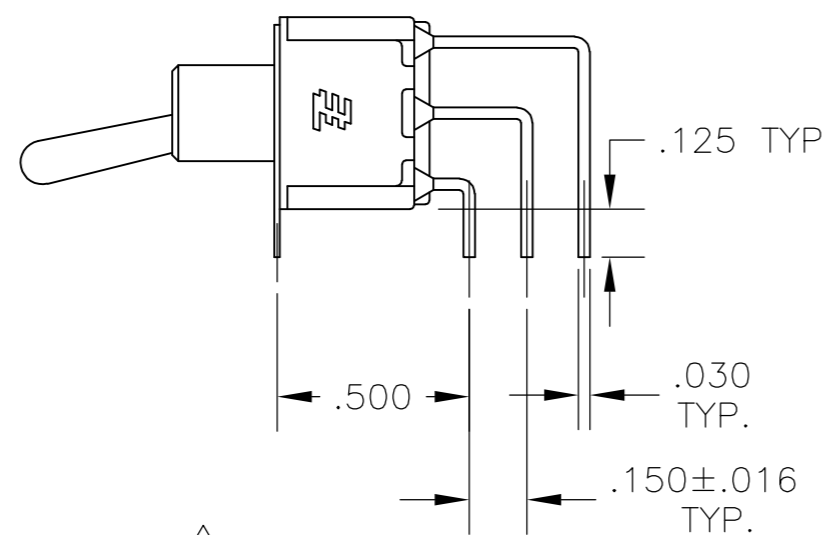


**H** HIGH TORQUE

|   |        |                  |         |                     |   |
|---|--------|------------------|---------|---------------------|---|
| THIS DRAWING IS A CONTROLLED DOCUMENT.  |        | DWN<br>M. ZITTO  | 18MAY05 | <br>TE Connectivity | GEMINI A SERIES TOGGLE SWITCH, SINGLE POLE,<br>3 POSITION FUNCTIONS (03, 05 & 07) |
| DIMENSIONS: INCHES  |        | CHK<br>M. ZITTO  | -       |                     |   |
| TOLERANCES UNLESS OTHERWISE SPECIFIED:  |        | APVD<br>M. ZITTO | -       |                     |   |
| 0 PLC ± -<br>1 PLC ± -<br>2 PLC ± -<br>3 PLC ± .010<br>4 PLC ± -<br>ANGLES ± 2° |        | PRODUCT SPEC     | -       |                     |   |
| MATERIAL  | FINISH | APPLICATION SPEC | -       | SIZE                | A2  |
| -   | -      | WEIGHT           | -       | CAGE CODE           | 00779   |
| CUSTOMER DRAWING  |        |                  | SCALE   | 2:1                 | SHEET   |
|   |        |                  |         | 2                   | OF 4  |
|   |        |                  |         | REV                 | A6  |

THIS DRAWING IS UNPUBLISHED. RELEASED FOR PUBLICATION  
 © COPYRIGHT - By - ALL RIGHTS RESERVED.

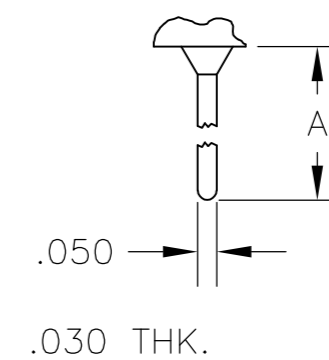
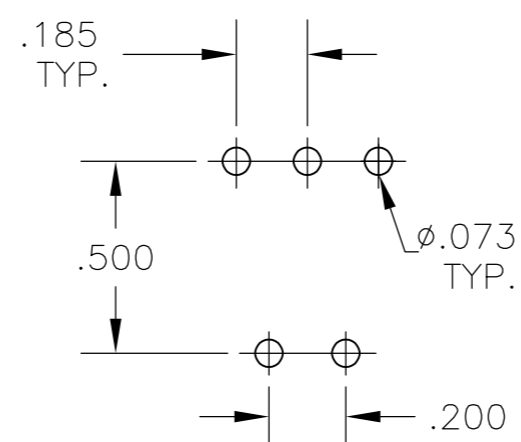
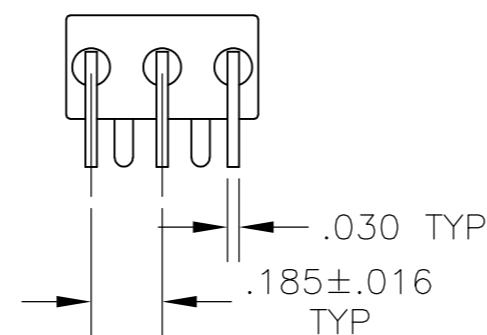
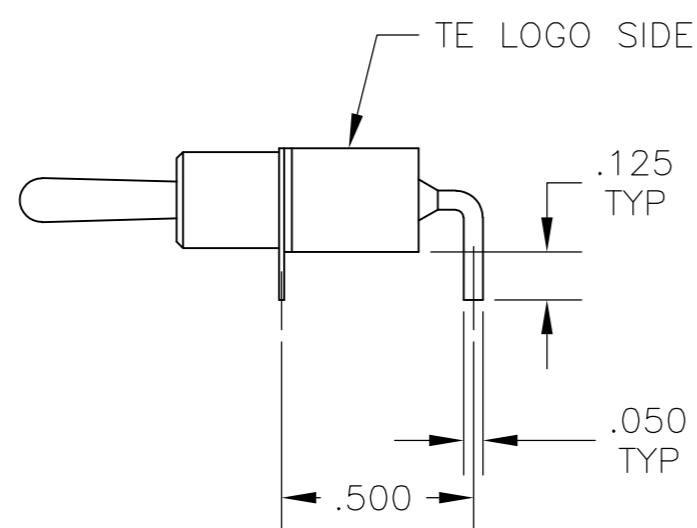
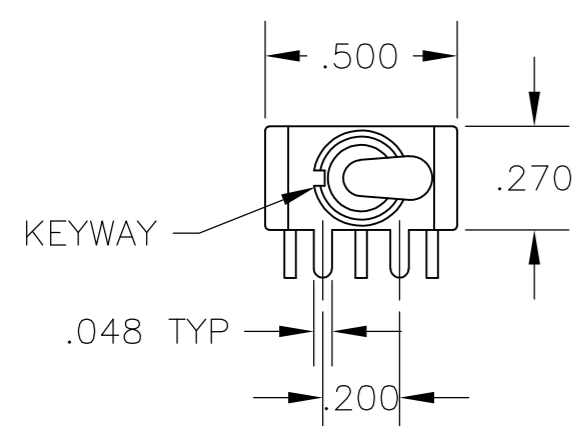
| LOC |    | DIST |     | REVISIONS   |      |     |      |
|-----|----|------|-----|-------------|------|-----|------|
| AD  | 00 | P    | LTR | DESCRIPTION | DATE | DWN | APVD |
|     |    | -    | -   | SEE SHEET 1 | -    | -   | -    |



AV2 VERTICAL RIGHT ANGLE  $\triangle 5$

Z WIRE LUG

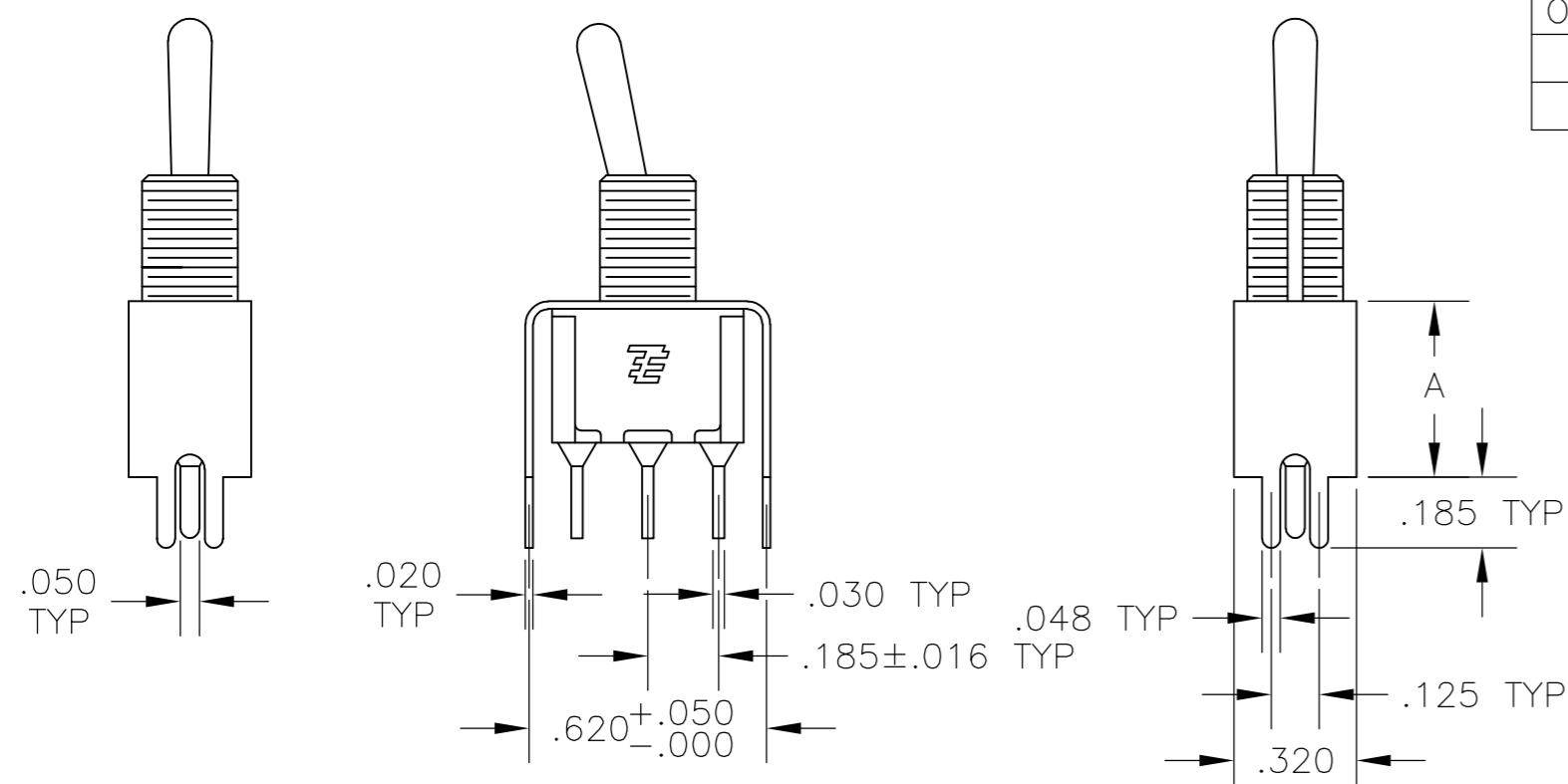
Z3 QUICK CONNECT



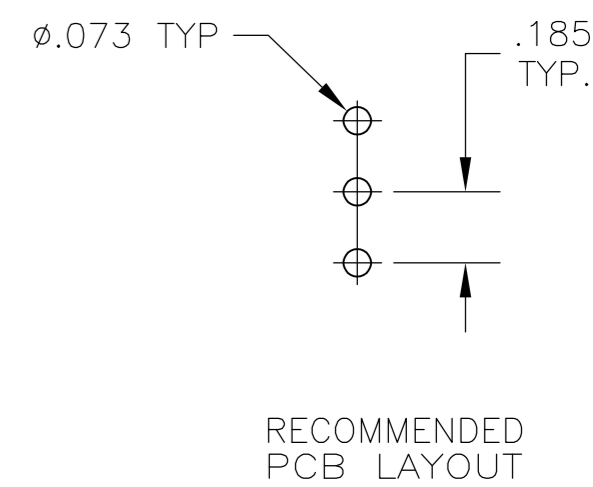
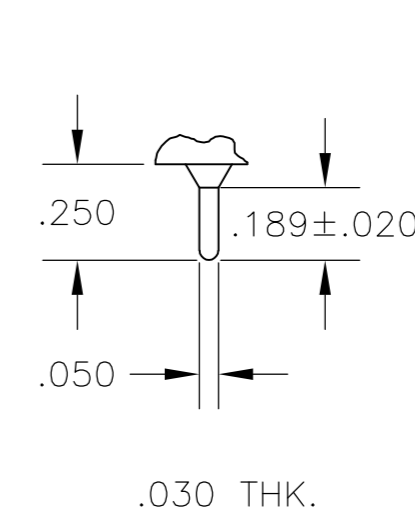
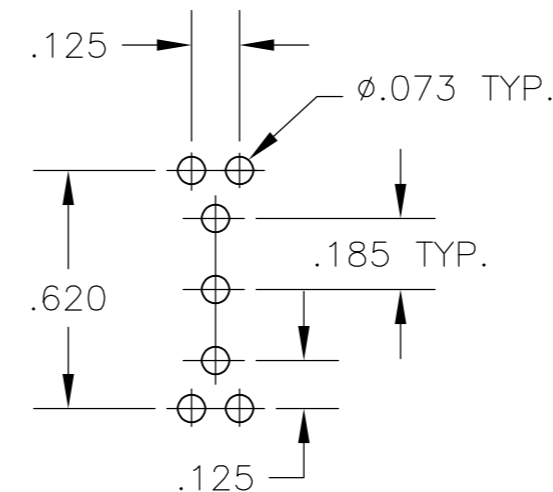
| OPTION | DIM A |
|--------|-------|
| W      | .736  |
| W4     | 1.062 |

A RIGHT ANGLE  $\triangle 5$

W W4 WIRE WRAP



| OPTION | DIM A |
|--------|-------|
| V30    | .460  |
| V40    | .630  |



V30 V40  $\triangle 5$   
 VERTICAL SUPPORT BRACKET

C PRINTED CIRCUIT

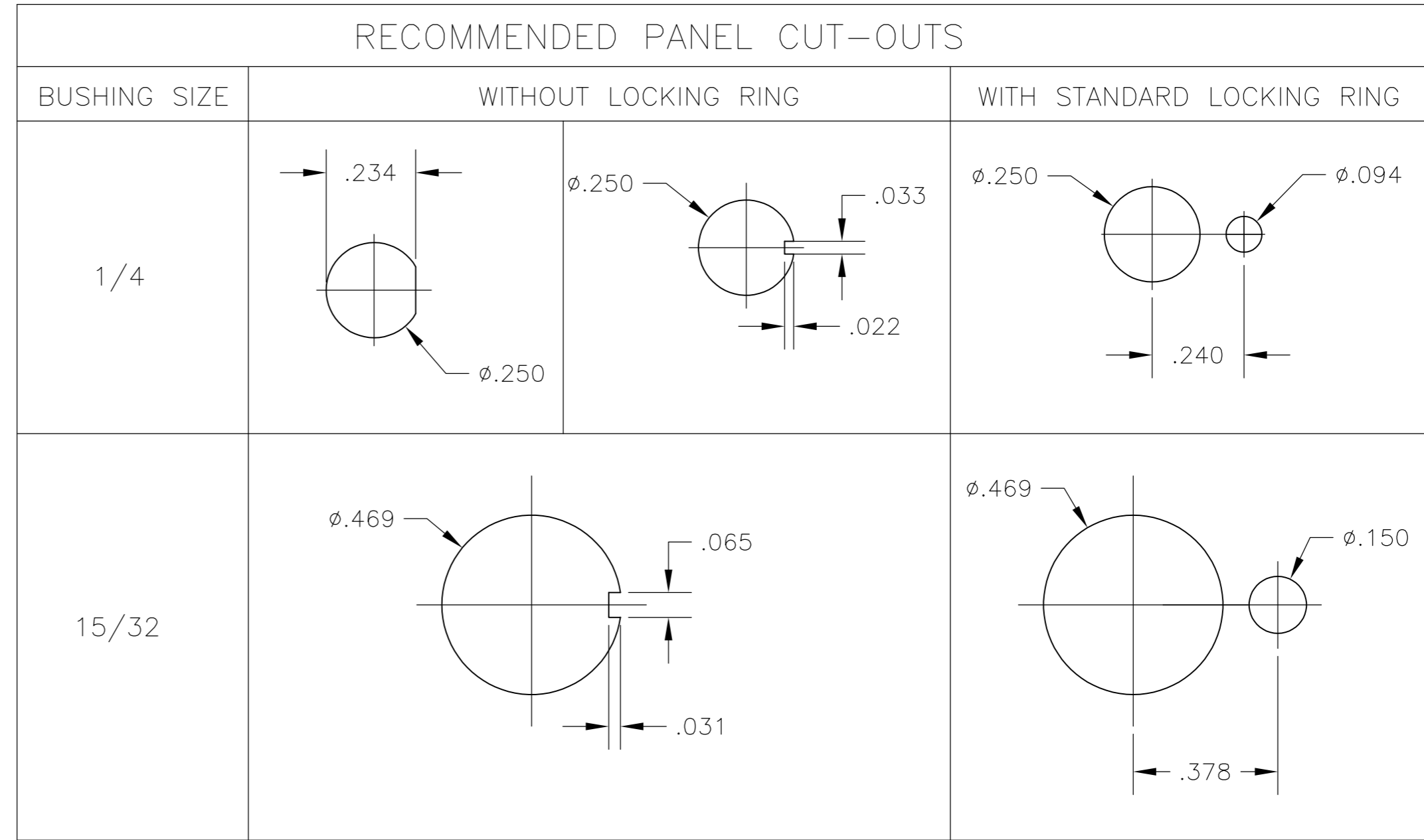
THIS DRAWING IS A CONTROLLED DOCUMENT.

|                    |  |                      |       |                  |  |               |
|--------------------|--|----------------------|-------|------------------|--|---------------|
| DIMENSIONS: INCHES | TOLERANCES UNLESS OTHERWISE SPECIFIED: | DWN M. ZITTO 18MAY05 |       | TE Connectivity  |  |               |
|                    | 0 PLC ± -                              | CHK M. ZITTO -       |       | NAME             | GEMINI A SERIES TOGGLE SWITCH, SINGLE POLE, 3 POSITION FUNCTIONS (03, 05 & 07) |               |
|                    | 1 PLC ± -                              | APVD M. ZITTO -      |       | PRODUCT SPEC     | -  |               |
|                    | 2 PLC ± -                              | PRODUCT SPEC         |       | APPLICATION SPEC | -  |               |
| MATERIAL           | FINISH                                 | WEIGHT               | SIZE  | CAGE CODE        | DRAWING NO   | RESTRICTED TO |
| -                  | -                                      | -                    | A2    | 00779            | C=1825137  | -             |
| CUSTOMER DRAWING   |  |                      | SCALE | SHEET            | REV  |               |
|                    |  |                      | 2:1   | 3 of 4           | A6   |               |

THIS DRAWING IS UNPUBLISHED. RELEASED FOR PUBLICATION  
 © COPYRIGHT - By - ALL RIGHTS RESERVED.

|     |      |           |     |             |      |     |      |
|-----|------|-----------|-----|-------------|------|-----|------|
| LOC | DIST | REVISIONS |     |             |      |     |      |
| AD  | 00   | P         | LTR | DESCRIPTION | DATE | DWN | APVD |
|     |      | -         |     | SEE SHEET 1 | -    | -   | -    |

| Alco P/N               | P/N                    |             |
|------------------------|------------------------|-------------|
| A103KZQ04              | 1825137-1              |             |
| A103MD9AB04            | 1825137-2              |             |
| A103MD9AG04            | 1825137-3              |             |
| A103MD9AQ04            | 1825137-4              |             |
| A103MD9AV2B04          | 1825137-5              |             |
| A103P3ZQ04             | 1825137-6              |             |
| A103SD9AQ04            | 1825137-7              |             |
| A103SD9AV2B04          | 1825137-8              |             |
| A103SD9AV2Q04          | 1825137-9              |             |
| A103SDCB04             | 1-1825137-0            |             |
| A103SDCQ04             | 1-1825137-1            |             |
| A103SDZQ04             | 1-1825137-2            |             |
| A103SYAQ04             | 1-1825137-3            |             |
| A103SYAV2Q04           | 1-1825137-4            |             |
| A103SYCB04             | 1-1825137-5            |             |
| A103SYCQ04             | 1-1825137-6            |             |
| A103SYWB04             | 1-1825137-7            |             |
| A103SYWQ04             | 1-1825137-8            |             |
| A103SYZB04             | 1-1825137-9            |             |
| A103SYZQ04             | 2-1825137-0            |             |
| A103T1CG04             | 2-1825137-1            |             |
| A103T1ZQ04             | 2-1825137-2            |             |
| A103TZQ04              | 2-1825137-3            |             |
| A105MD9AB04            | 2-1825137-4            |             |
| A105MD9AQ04            | 2-1825137-5            |             |
| A105MYV30Q04           | 2-1825137-6            |             |
| A105P3CG04             | 2-1825137-7            |             |
| A105P3CQ04             | 2-1825137-8            |             |
| A105P3ZQ04             | 2-1825137-9            |             |
| A103MDAB04             | 3-1825137-0            |             |
| A105SD9AB04            | 3-1825137-1            |             |
| A105SD9AV2Q04          | 3-1825137-2            |             |
| A105SD9V30B04          | 3-1825137-3            |             |
| A105SYAB04             | 3-1825137-4            |             |
| A105SYAV2B04           | 3-1825137-5            |             |
| A105SYCB04             | 3-1825137-6            |             |
| A105SYCQ04             | 3-1825137-7            |             |
| A105SYZB04             | 3-1825137-8            |             |
| A105SYZQ04             | 3-1825137-9            |             |
| A105T1ZB04             | 4-1825137-0            |             |
| A105T1ZQ04             | 4-1825137-1            |             |
| A105TZQ04              | 4-1825137-2            |             |
| <del>A107KAV2Q04</del> | <del>4-1825137-3</del> | OBSOLETE    |
| A107KZB04              | 4-1825137-4            |             |
| A107MD9AV2B04          | 4-1825137-5            |             |
| A107MD9CQ04            | 4-1825137-6            |             |
| A107MD9V30Q04          | 4-1825137-7            |             |
| A107P3ZQ04             | 4-1825137-8            |             |
| A107SYAQ04             | 4-1825137-9            |             |
| A107SYCB04             | 5-1825137-0            |             |
| A107SYCQ04             | 5-1825137-1            |             |
| A107SYZQ04             | 5-1825137-2            |             |
| A107TZB04              | 5-1825137-3            |             |
| A105MD9AV2B            | 5-1825137-4            |             |
| A103MD9V30B04          | 5-1825137-5            | PRELIMINARY |
| A103MCWCB04            | 5-1825137-6            | PRELIMINARY |
| A103SCWCB04            | 5-1825137-7            | PRELIMINARY |



### MATERIALS CHART

| COMPONENT NAME         | BASE MATERIAL             | FINISH           |
|------------------------|---------------------------|------------------|
| CASE                   | DAP, RED, UL94 V-0        |                  |
| FRAME                  | STAINLESS STEEL           |                  |
| B TERMINALS & CONTACTS | COPPER                    | GOLD OVER NICKEL |
| G TERMINALS & CONTACTS | COPPER                    | GOLD OVER SILVER |
| Q TERMINALS & CONTACTS | COPPER                    | .000400 SILVER   |
| ACTUATOR               | PHENOLIC, BLACK, UL94 V-1 |                  |
| LEVER                  | BRASS                     | CHROME           |
| BUSHING                | BRASS                     | NICKEL           |
| SPRING                 | MUSIC WIRE                |                  |
| SUPPORT BRACKET        | BRASS                     | TIN              |
| PIVOT PIN              | STEEL                     | NICKEL           |
| LOCK WASHER            | STAINLESS STEEL           |                  |
| LOCKING RING           | STAINLESS STEEL           |                  |
| NUTS                   | C3604BD BRASS             | NICKEL           |
| TERMINAL SEAL          | EPOXY                     |                  |

|  |        |                  |                             |                           |       |     |       |     |       |        |       |     |        |      |              |
|--|--------|------------------|-----------------------------|---------------------------|-------|-----|-------|-----|-------|--------|-------|-----|--------|------|--------------|
| THIS DRAWING IS A CONTROLLED DOCUMENT.   |        | DWN<br>M. ZITTO  | 18MAY05                     | <b>TE</b> TE Connectivity |       |     |       |     |       |        |       |     |        |      |              |
| DIMENSIONS: INCHES   |        | CHK<br>M. ZITTO  |                             |                           |       |     |       |     |       |        |       |     |        |      |              |
| TOLERANCES UNLESS OTHERWISE SPECIFIED:   |        | APVD<br>M. ZITTO |                             |                           |       |     |       |     |       |        |       |     |        |      |              |
| <table border="1"> <tr><td>0 PLC</td><td>± -</td></tr> <tr><td>1 PLC</td><td>± -</td></tr> <tr><td>2 PLC</td><td>± -</td></tr> <tr><td>3 PLC</td><td>± .010</td></tr> <tr><td>4 PLC</td><td>± -</td></tr> <tr><td>ANGLES</td><td>± 2°</td></tr> </table> |        | 0 PLC            | ± -                         |                           | 1 PLC | ± - | 2 PLC | ± - | 3 PLC | ± .010 | 4 PLC | ± - | ANGLES | ± 2° | PRODUCT SPEC |
| 0 PLC  | ± -    |                  |                             |                           |       |     |       |     |       |        |       |     |        |      |              |
| 1 PLC  | ± -    |                  |                             |                           |       |     |       |     |       |        |       |     |        |      |              |
| 2 PLC  | ± -    |                  |                             |                           |       |     |       |     |       |        |       |     |        |      |              |
| 3 PLC  | ± .010 |                  |                             |                           |       |     |       |     |       |        |       |     |        |      |              |
| 4 PLC  | ± -    |                  |                             |                           |       |     |       |     |       |        |       |     |        |      |              |
| ANGLES   | ± 2°   |                  |                             |                           |       |     |       |     |       |        |       |     |        |      |              |
| MATERIAL   | FINISH | APPLICATION SPEC | SCALE<br>A2 00779 C=1825137 | RESTRICTED TO             |       |     |       |     |       |        |       |     |        |      |              |
|  |        | WEIGHT           | 3:1                         | SHEET 4 of 4              |       |     |       |     |       |        |       |     |        |      |              |
|  |        | CUSTOMER DRAWING | REV A6                      |                           |       |     |       |     |       |        |       |     |        |      |              |

## X-ON Electronics

Largest Supplier of Electrical and Electronic Components

*Click to view similar products for [Toggle Switches](#) category:*

*Click to view products by [TE Connectivity](#) manufacturer:*

Other Similar products are found below :

[A19HV](#) [8A1-C-222](#) [60012L](#) [6006L](#) [6663](#) [7101MD9V30GE](#) [7101SPDV30BE](#) [7103SDV30BE](#) [7105D](#) [7108P3YAV2BE](#) [71YY50282](#)  
[7201MD9AVBE](#) [7301K38](#) [7306K36](#) [7310K36](#) [7314K36](#) [7506K4](#) [7592K6](#) [7691K14](#) [7700K1](#) [8396K108](#) [8824K14](#) [8828K13](#) [G2VX](#) [G3VX](#)  
[PS83-121G](#) [A101MD9AB04](#) [A101SD9AB04](#) [A101SDCQ04](#) [A103SD9AQ04](#) [A107TZB04](#) [A123P32YZQ](#) [A123S1YZG](#) [A127S1YCQ](#) [1-](#)  
[1825192-0](#) [A131S1YZQ](#) [A201SCWZB04](#) [A207SYCB04](#) [A208J61ZQ0004](#) [A221K12KAG](#) [A221S1YZQ](#) [A221T1TCQ](#) [A232K12KZQ](#)  
[A232M1YCQ](#) [A323S1CWZQ](#) [A423S1CWZG-M8](#) [A423S1YZQ](#) [12149A-3V](#) [12156AX408](#) [12147AGKX679](#)