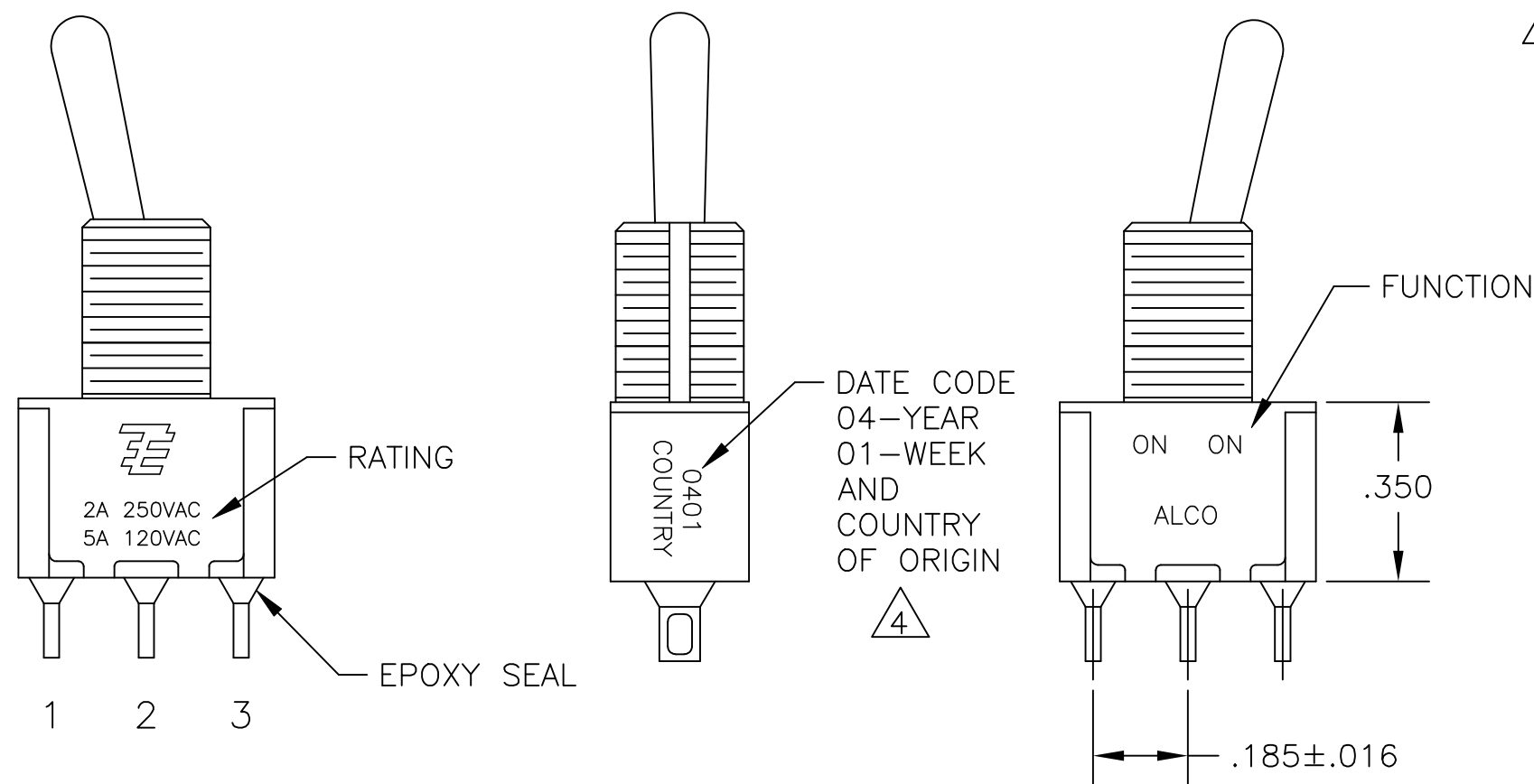
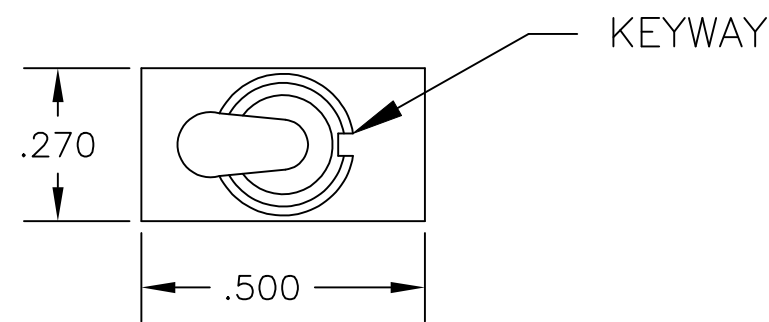


THIS DRAWING IS UNPUBLISHED. RELEASED FOR PUBLICATION
 © COPYRIGHT - By - ALL RIGHTS RESERVED.

REVISIONS					
P	LTR	DESCRIPTION	DATE	DWN	APVD
	A8	ECR-16-017266	01JUN2018	SR	PO



- ALL MATERIALS AND FINISHES SHALL COMPLY WITH EU DIRECTIVE 2002/95/EC OF 27JAN2003 (ROHS).
 - EACH SWITCH WITH THREADED BUSHINGS SUPPLIED WITH THE FOLLWING MOUNTING HARDWARE:
 (2) HEX NUTS
 (1) INTERNAL TOOTH LOCKWASHER
 (1) LOCATING RING
 - G CONTACT OPTION CAN BE USED FOR SIGNAL OR POWER LEVEL SWITCHING. IF SWITCH IS USED AT LEVELS EXCEEDING .4VA @ 20V AC/DC, SWITCH IS RENDERED FOR POWER SWITCHING ONLY DUE TO ARC REMOVAL OF GOLD PLATING. RATING MARKED ON FRAME IS 2A 250VAC, 5A 120VAC.
- △4 DATE CODE AND COUNTRY OF ORIGIN MAY APPEAR ON EITHER SIDE OF SWITCH.
 △5 LENGTH OF TOGGLE REDUCED BY .020 WITH A, AV2, V30 OR V40 VERTICAL SUPPORT BRACKET OPTIONS.
 6 ALL LOGO, RATING, DATE CODE, AND FUNCTION MARKINGS TO BE LASER MARKED.

FUNCTION CHART			
FUNCTION	1 2 3	1 2 3	1 2 3
03	ON	OFF	ON
05	(ON)	OFF	(ON)
07	ON	OFF	(ON)
TERMINALS CONNECTED	2-3	---	1-2

None: No mechanical position
 Off: Mechanical position with no electrical connection
 (On): Momentary action

SPECIFICATIONS CHART	
RATING, B CONTACTS	.4VA MAX @20V MAX. AC OR DC
RATING, G CONTACTS—SEE NOTE 3	.4VA MAX @20V MAX. AC OR DC OR
	5A @120 VAC OR 28 VDC (RESISTIVE)
RATING, Q CONTACTS	2A @250 VAC (RESISTIVE)
	5A @120 VAC OR 28 VDC (RESISTIVE)
ELECTRICAL LIFE	2A @250 VAC (RESISTIVE)
	6,000 CYCLES AT RATED LOAD
CONTACT RESISTANCE	10 MILLIOHMS MAX INITIAL @ 2-4VDC, 100ma
INSULATION RESISTANCE	1,000 MEGOHMS MIN
DIELECTRIC WITHSTANDING VOLTAGE	1,000 V RMS AT SEA LEVEL
OPERATING TEMPRATURE	-30C TO 85C

PART NUMBER SEQUENCE CHART						
MODEL	FUNCTION	TOGGLE	BUSHING	TERMINAL	CONTACT	RoHS
A1	03	K	CW	A	B	04
	05	K1	D	AV2	G	
	07	L	D9	C	Q	
		L1	H	V30		
		L2	Y	V40		
		M	Y9	W		
		P3		W4		
		S		Z		
		T		Z3		
		T1				

EXAMPLE: A103SYCQ04

THIS DRAWING IS A CONTROLLED DOCUMENT.		DWN M. ZITTO	18MAY05		
DIMENSIONS: INCHES		CHK M. ZITTO			
TOLERANCES UNLESS OTHERWISE SPECIFIED:		APVD M. ZITTO		NAME GEMINI A SERIES TOGGLE SWITCH, SINGLE POLE, 3 POSITION FUNCTIONS (03, 05 & 07)	
0 PLC ± -		PRODUCT SPEC		SIZE	
1 PLC ± -		APPLICATION SPEC		CAGE CODE	
2 PLC ± -				DRAWING NO	
3 PLC ± .010				RESTRICTED TO	
4 PLC ± -				A2 00779	
ANGLES ± 2°				C=1825137	
MATERIAL		WEIGHT		SCALE	
		CUSTOMER DRAWING		3:1	
				SHEET 1 of 4	
				REV A8	

THIS DRAWING IS UNPUBLISHED.

RELEASED FOR PUBLICATION

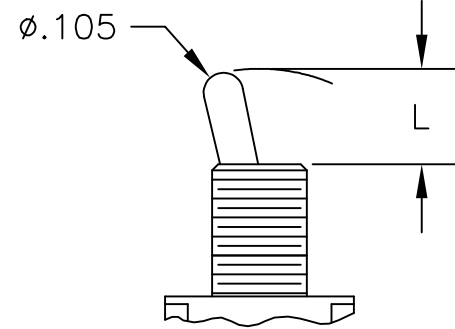
ALL RIGHTS RESERVED.

© COPYRIGHT - By -

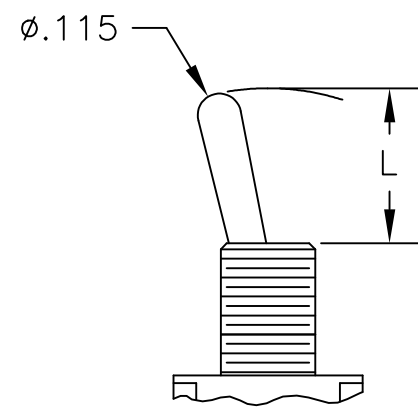
REVISIONS

P	LTR	DESCRIPTION	DATE	DWN	APVD
-	-	SEE SHEET 1	-	-	-

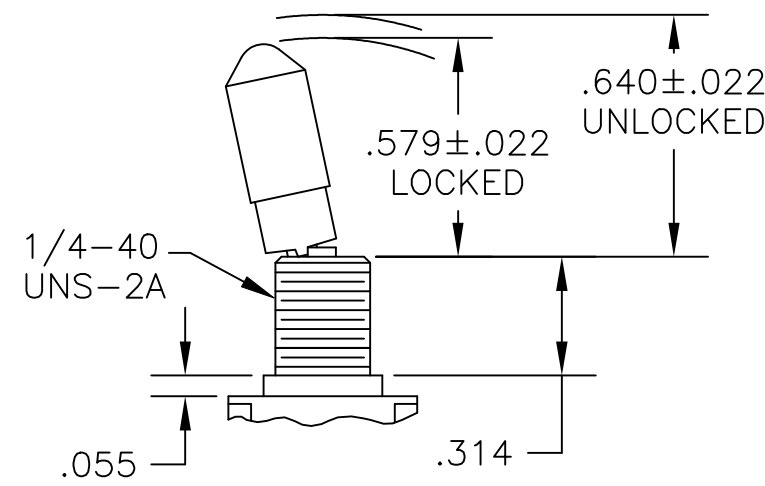
TOGGLES



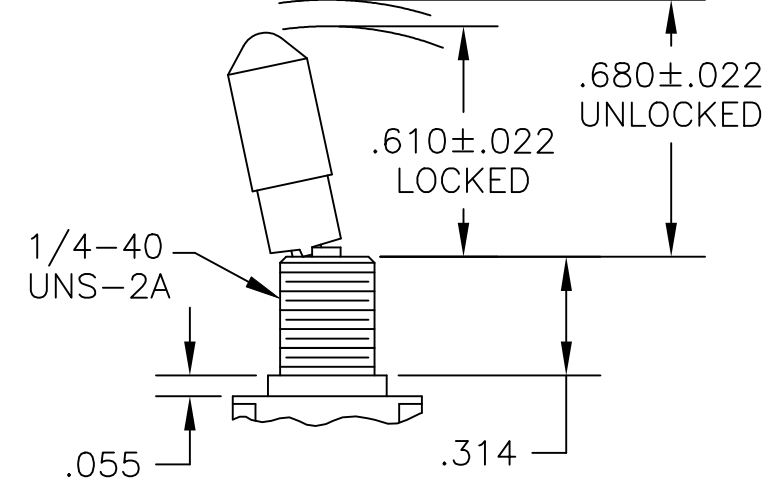
M SHORT



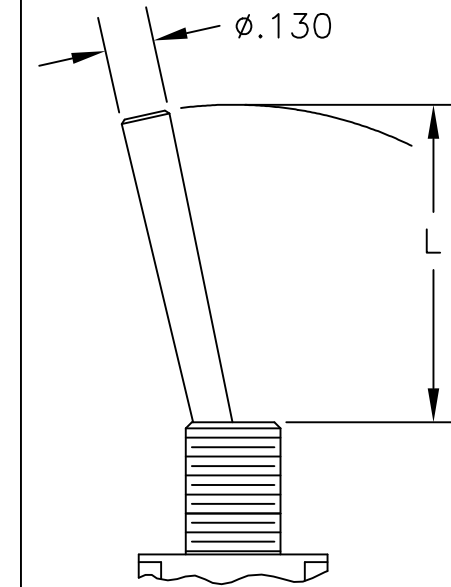
S STANDARD



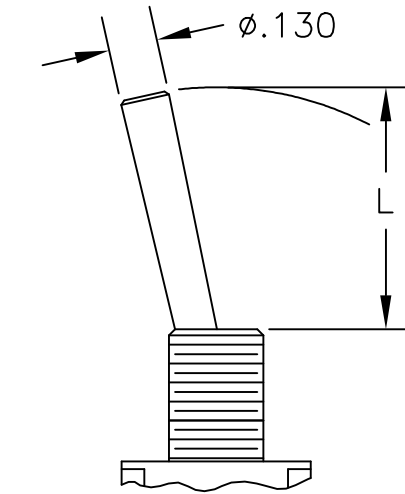
K NO BUSHING OPTION NEEDED



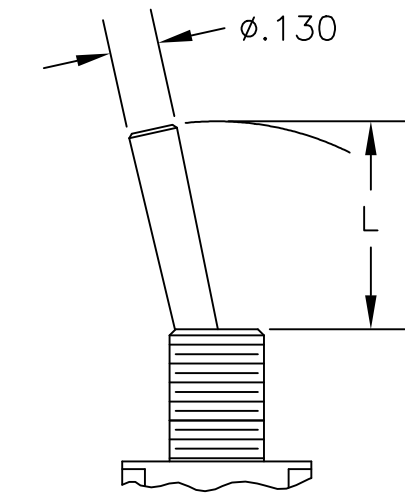
K1 NO BUSHING OPTION NEEDED



L LEVER



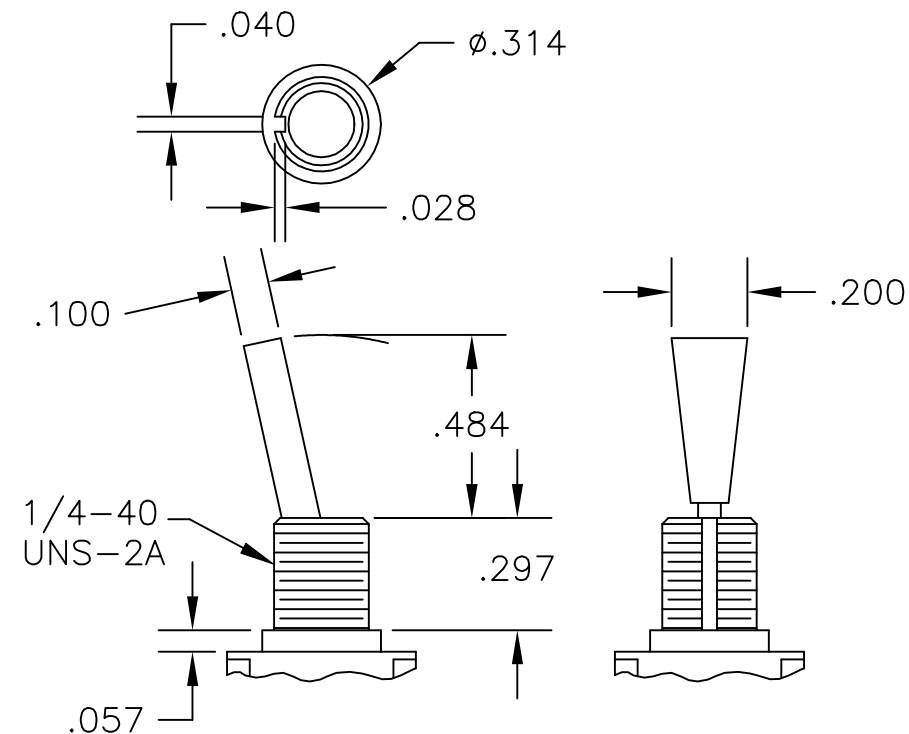
L1 LEVER



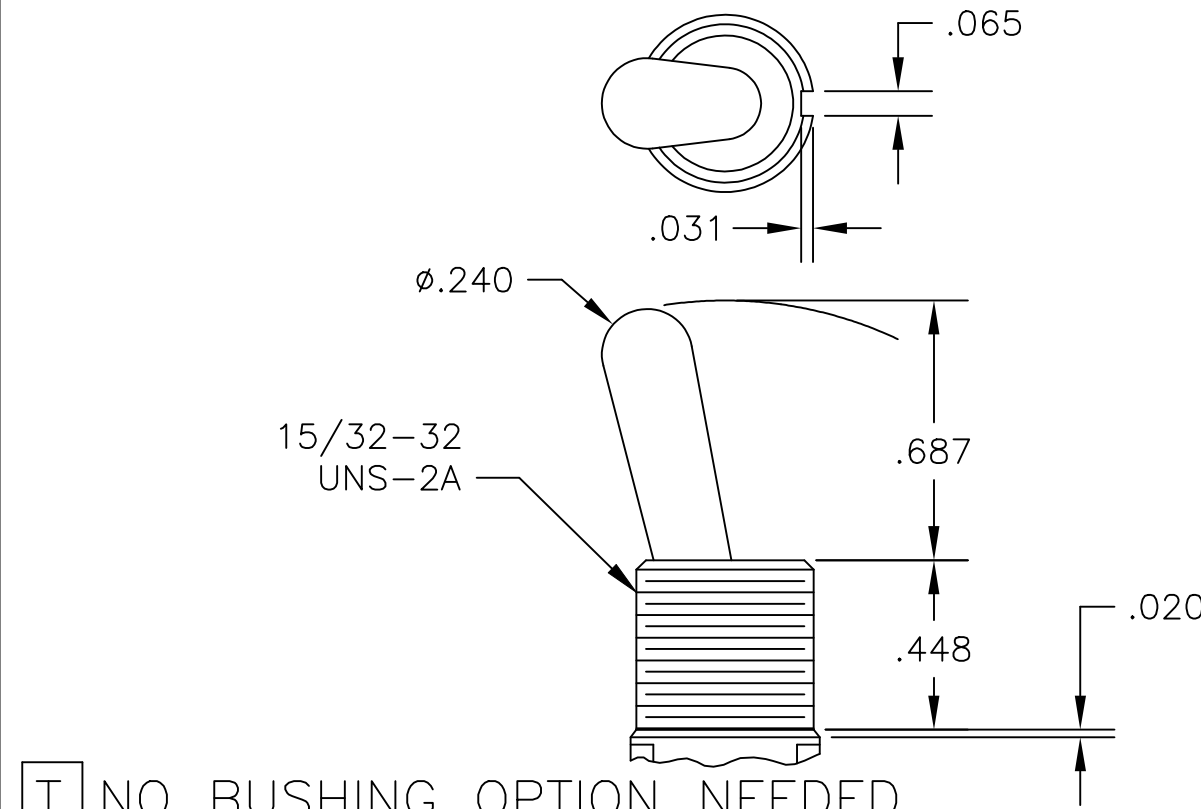
L2 LEVER

DIM L	BUSHING TYPE	DIM L	BUSHING TYPE
.200	Y, H	.410	Y, H
.270	D, D9	.480	D, D9

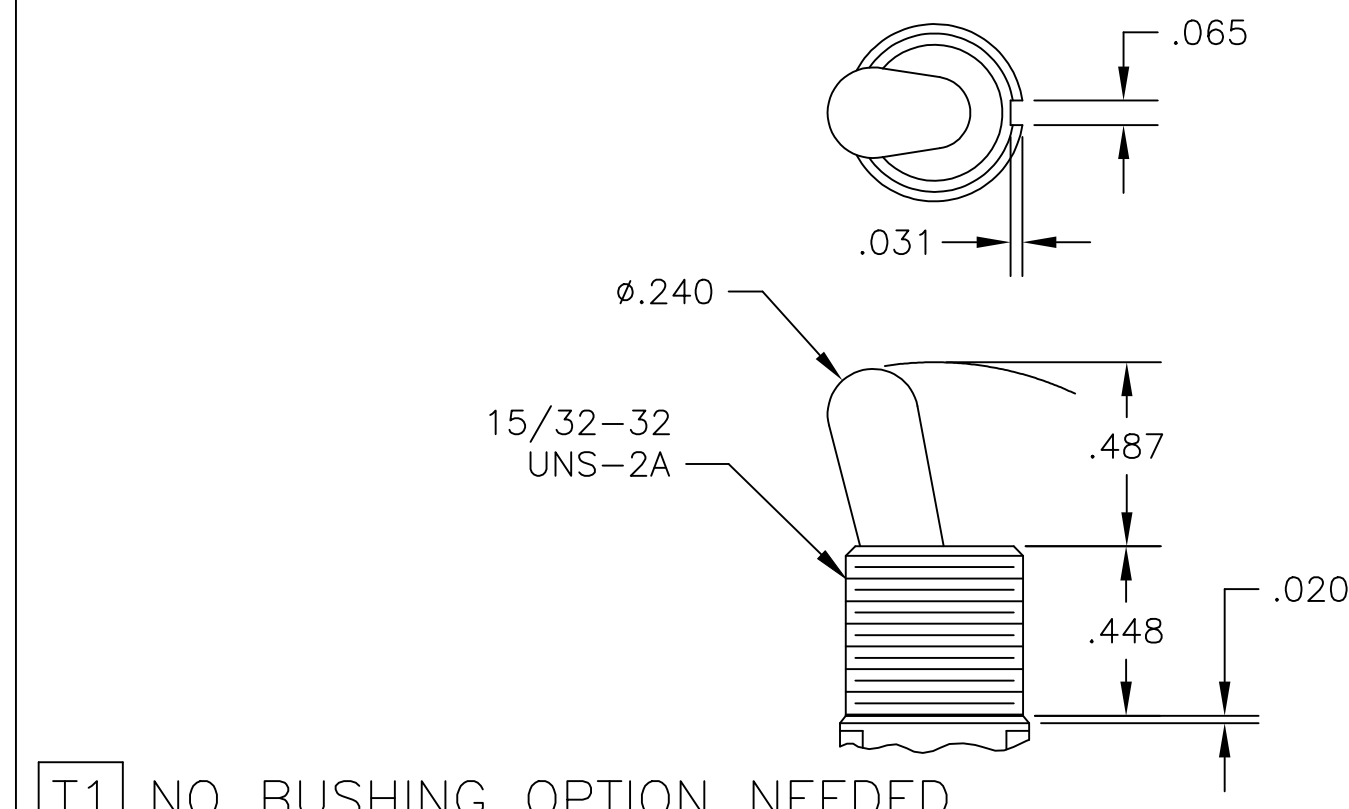
DIM L	BUSHING TYPE	DIM L	BUSHING TYPE	DIM L	BUSHING TYPE
.840	Y, H	.640	Y, H	.550	Y, H
.910	D, D9	.710	D, D9	.620	D, D9



P3 NO BUSHING OPTION NEEDED

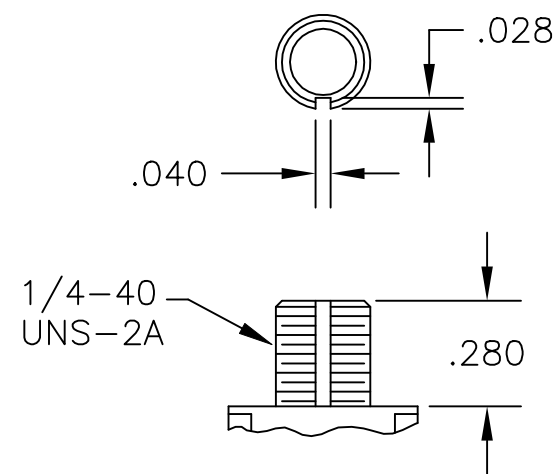


T NO BUSHING OPTION NEEDED

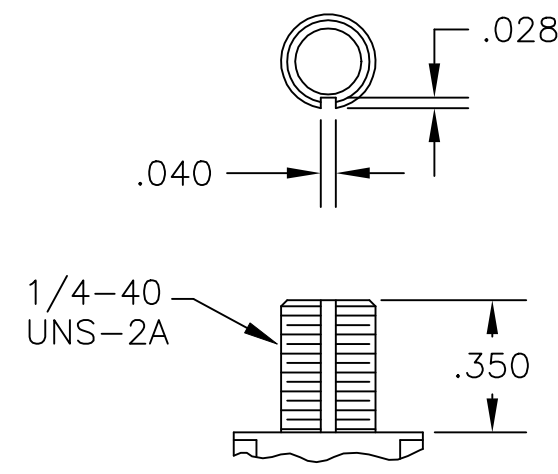


T1 NO BUSHING OPTION NEEDED

BUSHINGS

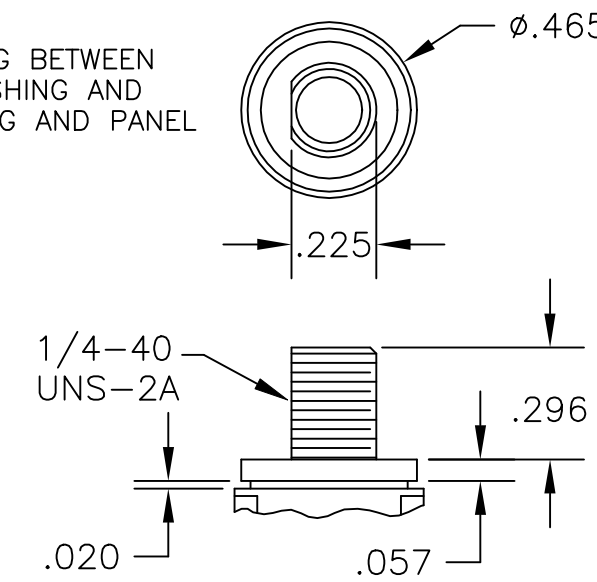


D THREADED
D9 UNTHREADED

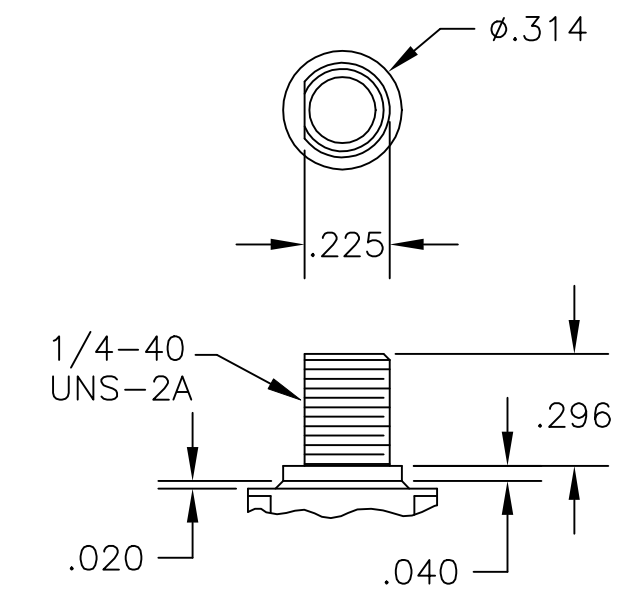


Y THREADED
Y9 UNTHREADED

CONTAINS O-RING BETWEEN TOGGLE AND BUSHING AND BETWEEN BUSHING AND PANEL



CW THREADED SPLASHPROOF



H HIGH TORQUE

THIS DRAWING IS A CONTROLLED DOCUMENT.

DIMENSIONS:	TOLERANCES UNLESS OTHERWISE SPECIFIED:
INCHES	
	0 PLC ± -
	1 PLC ± -
	2 PLC ± -
	3 PLC ± .010
	4 PLC ± -
	ANGLES ± 2°

MATERIAL FINISH

DWN 18MAY05

CHK

M. ZITTO

APVD

M. ZITTO

PRODUCT SPEC

APPLICATION SPEC

WEIGHT

CUSTOMER DRAWING



TE Connectivity

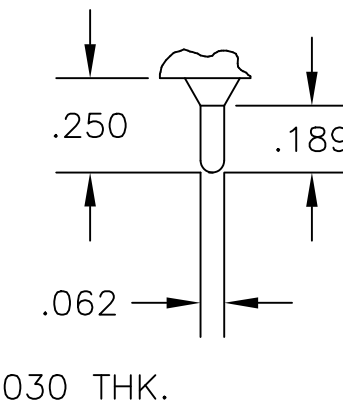
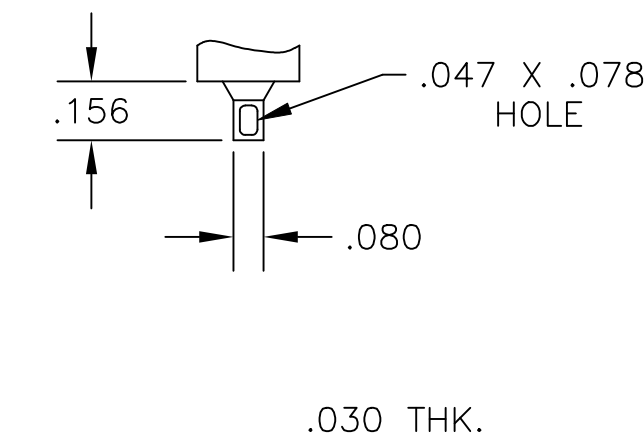
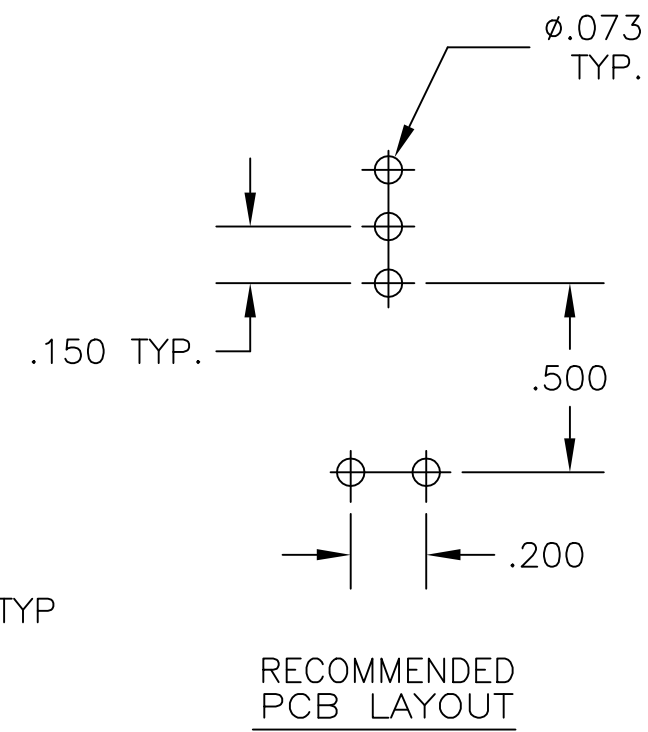
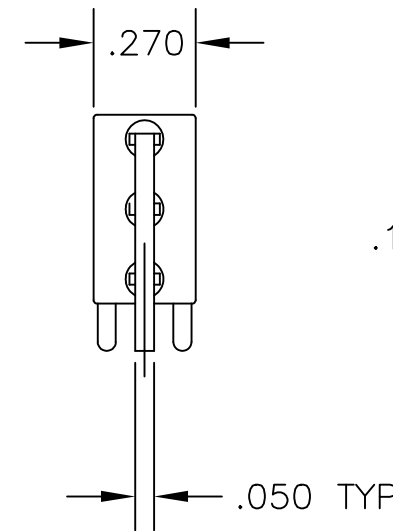
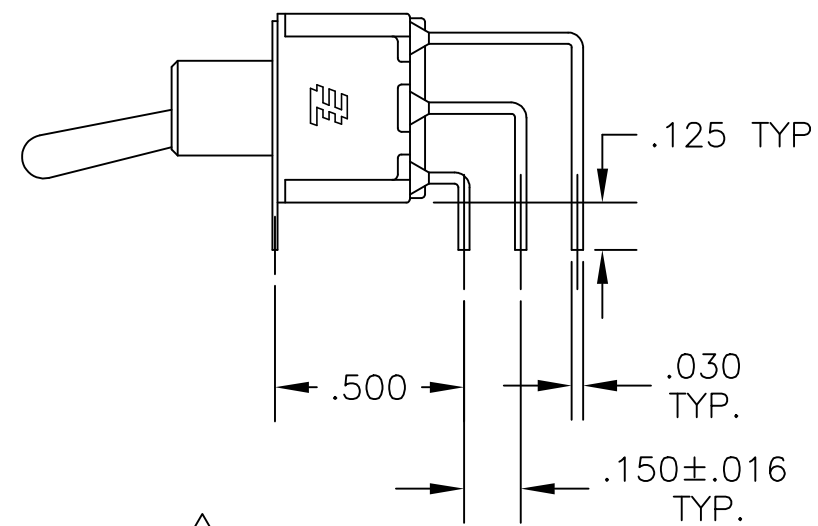
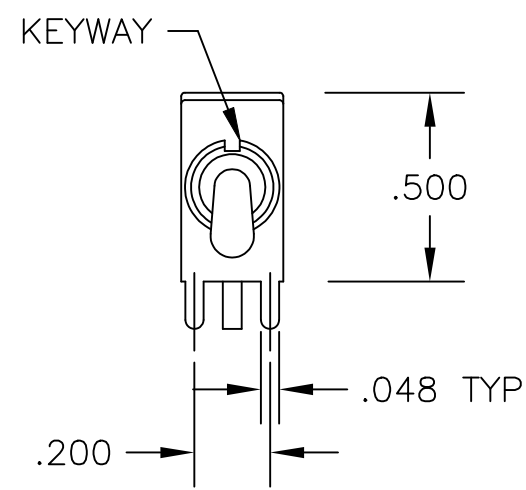
GEMINI A SERIES TOGGLE SWITCH, SINGLE POLE, 3 POSITION FUNCTIONS (03, 05 & 07)

SIZE	CAGE CODE	DRAWING NO	RESTRICTED TO
A2	00779	1825137	-

SCALE	SHEET	REV
3:1	2 of 4	A8

THIS DRAWING IS UNPUBLISHED. RELEASED FOR PUBLICATION. ALL RIGHTS RESERVED.

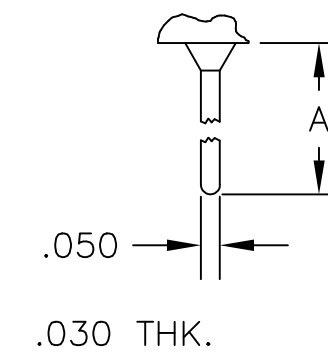
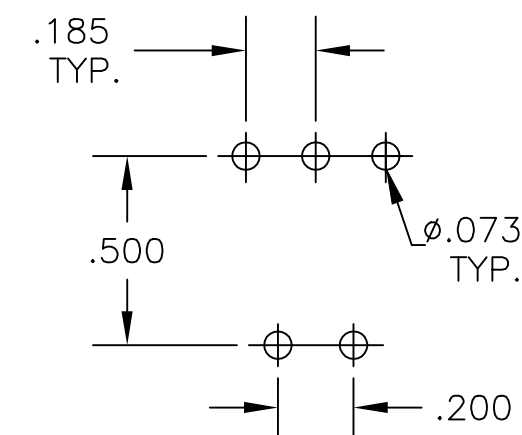
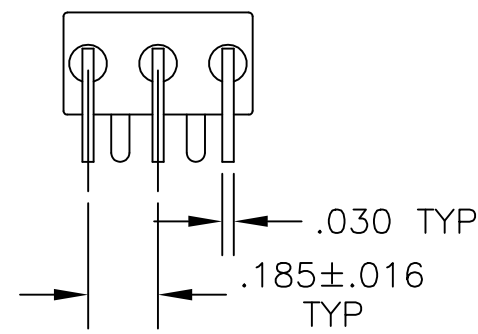
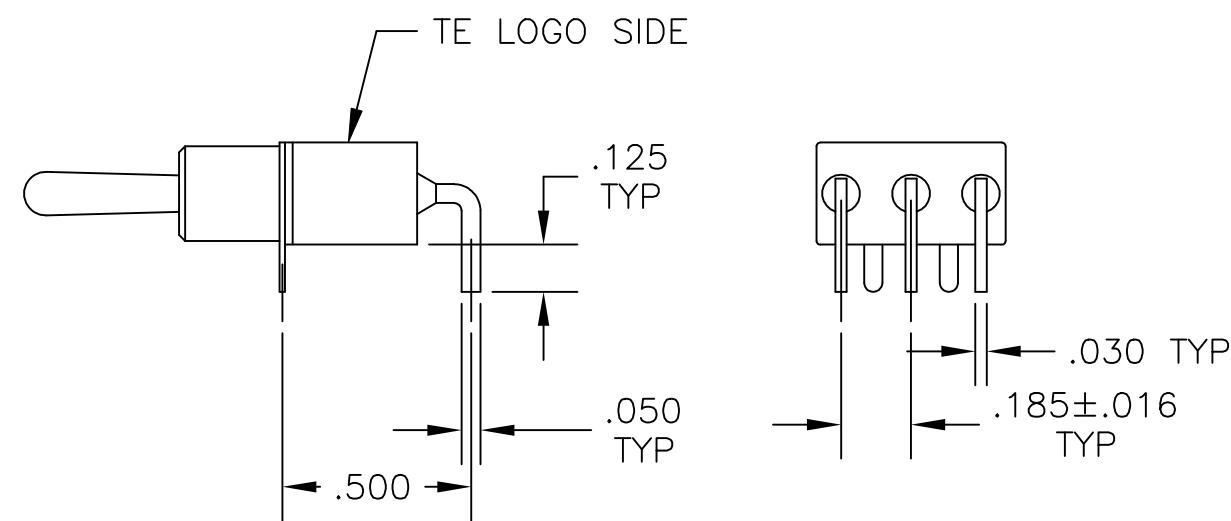
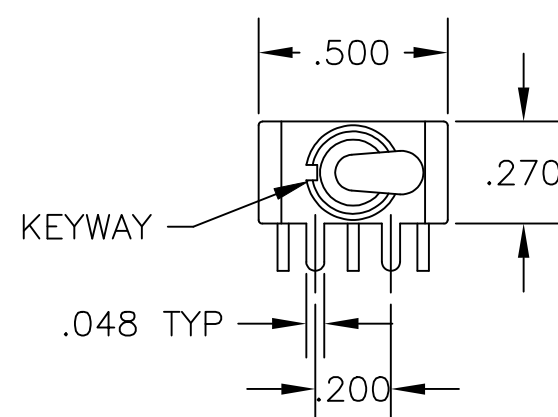
REVISIONS				
P	LTR	DESCRIPTION	DATE	APVD
-	-	SEE SHEET 1	-	-



AV2 VERTICAL RIGHT ANGLE

Z WIRE LUG

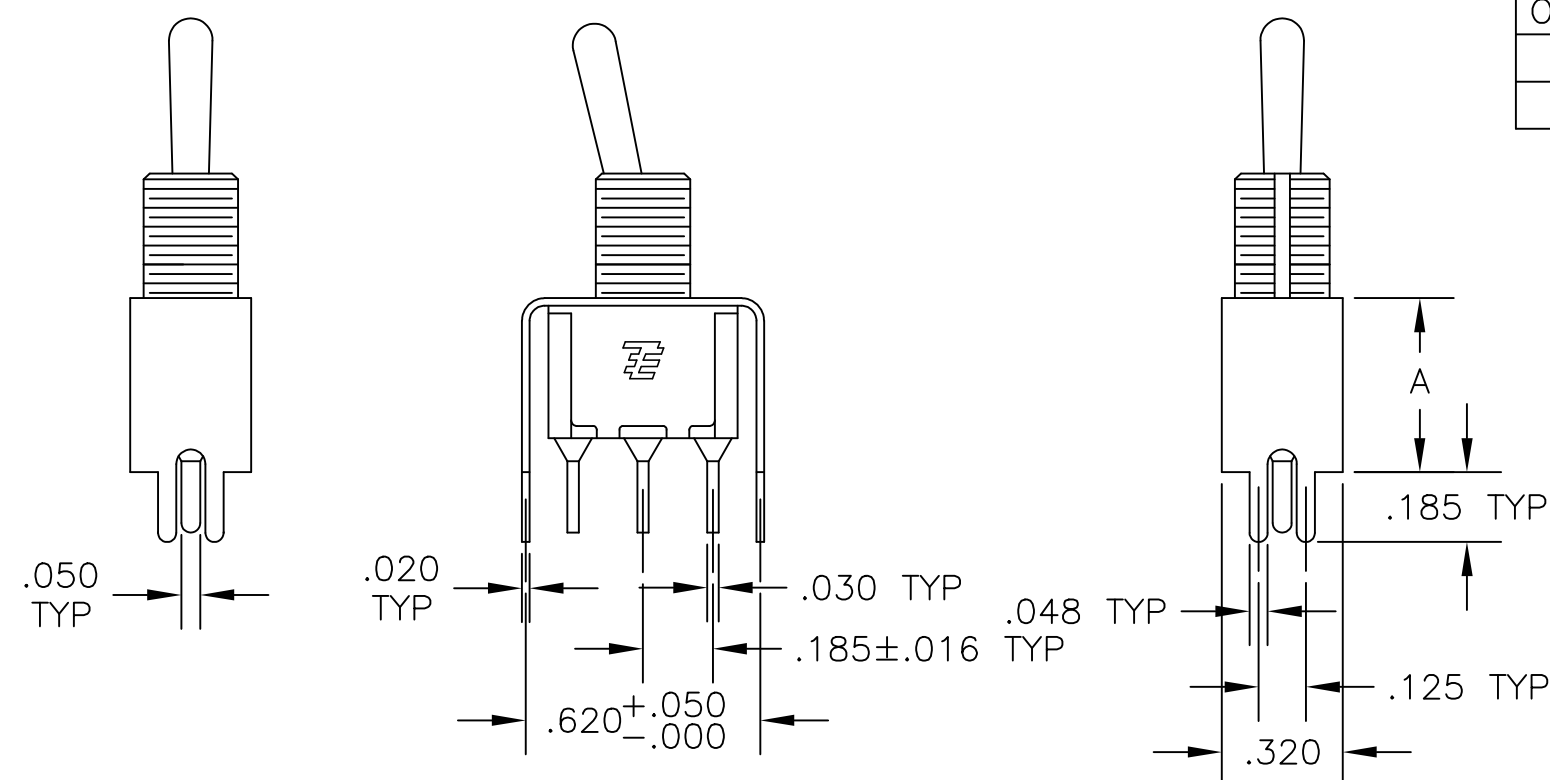
Z3 QUICK CONNECT



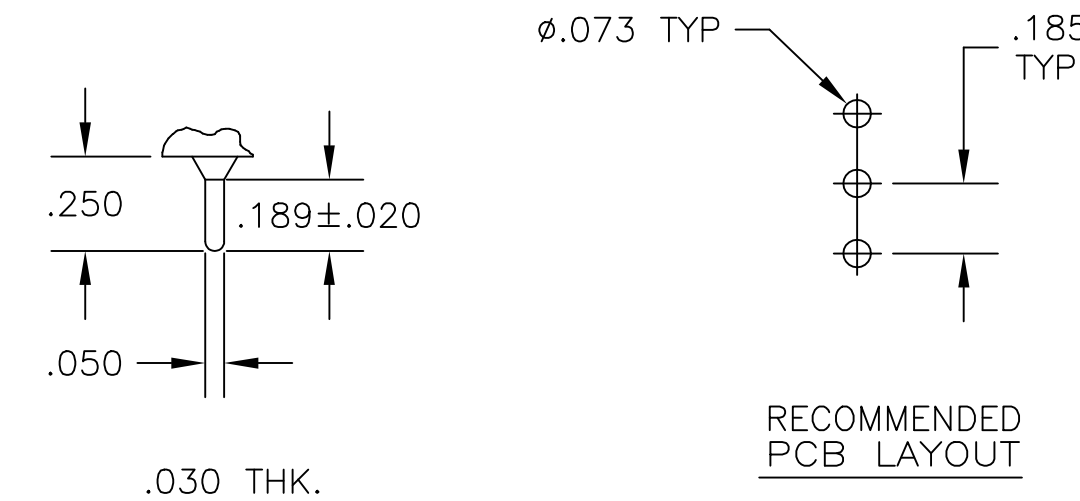
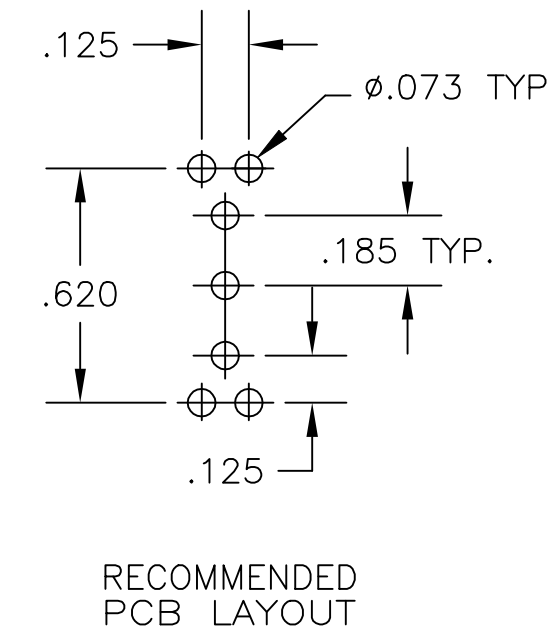
OPTION	DIM A
W	.736
W4	1.062

A RIGHT ANGLE

W W4 WIRE WRAP



OPTION	DIM A
V30	.460
V40	.630



C PRINTED CIRCUIT

V30 V40 VERTICAL SUPPORT BRACKET

THIS DRAWING IS A CONTROLLED DOCUMENT.

DWN	M. ZITTO	18MAY05
CHK	M. ZITTO	-
APVD	M. ZITTO	-
PRODUCT SPEC	-	-
APPLICATION SPEC	-	-
WEIGHT	-	-
CUSTOMER DRAWING	-	-

TE TE Connectivity

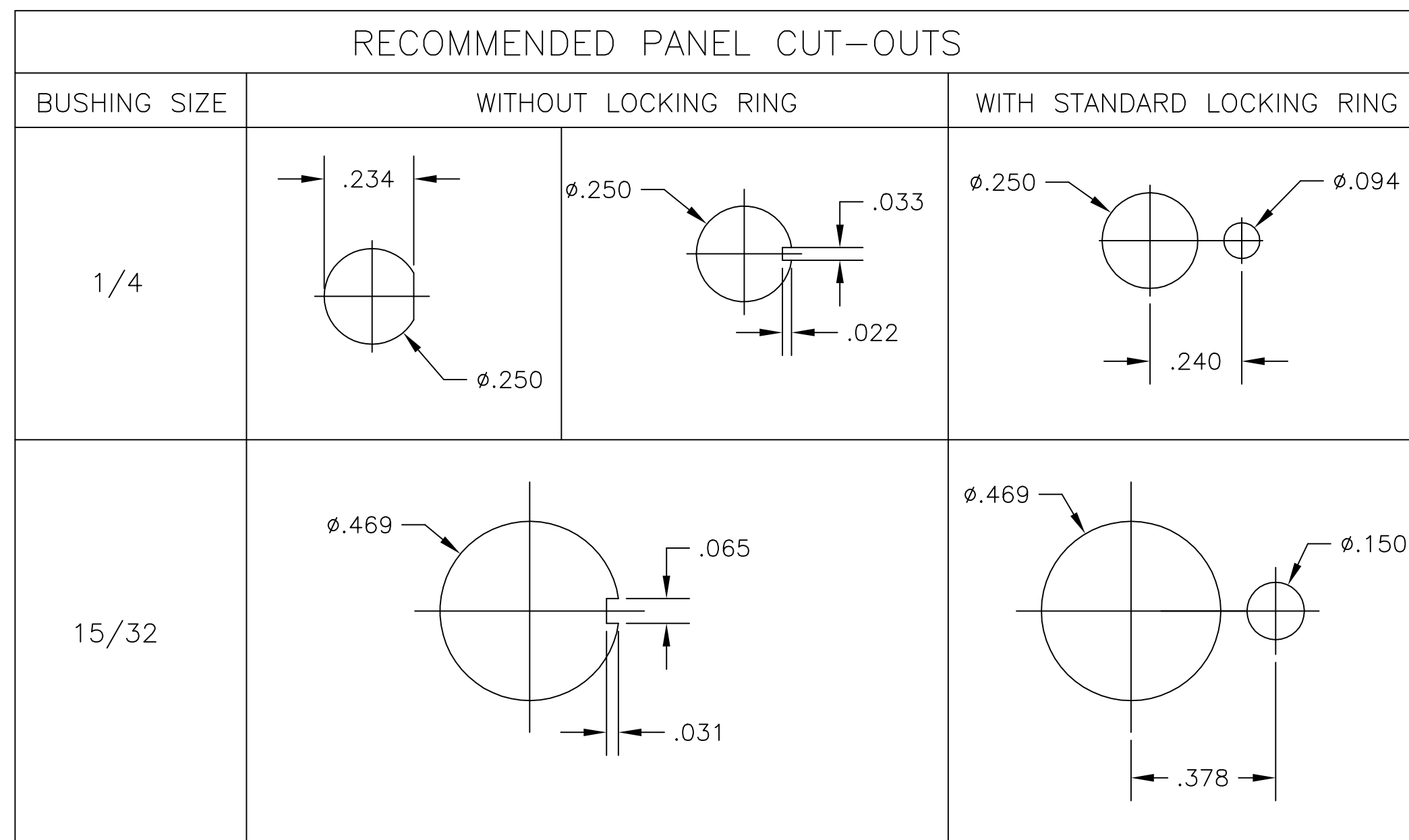
NAME: GEMINI A SERIES TOGGLE SWITCH, SINGLE POLE, 3 POSITION FUNCTIONS (03, 05 & 07)

SIZE	A2	CAGE CODE	00779	DRAWING NO	C=1825137	RESTRICTED TO	-
SCALE	3:1	SHEET	3 of 4	REV	A8		

THIS DRAWING IS UNPUBLISHED. RELEASED FOR PUBLICATION
 © COPYRIGHT - By - ALL RIGHTS RESERVED.

REVISIONS				
P	LTR	DESCRIPTION	DATE	APVD
-	-	SEE SHEET 1	-	-

Alco P/N	P/N	
A103KZQ04	1825137-1	
A103MD9AB04	1825137-2	OBSOLETE
A103MD9AG04	1825137-3	
A103MD9AQ04	1825137-4	OBSOLETE
A103MD9AV2B04	1825137-5	
A103P3ZQ04	1825137-6	
A103SD9AQ04	1825137-7	
A103SD9AV2B04	1825137-8	
A103SD9AV2Q04	1825137-9	OBSOLETE
A103SDCB04	1-1825137-0	
A103SDCQ04	1-1825137-1	
A103SDZQ04	1-1825137-2	
A103SYAQ04	1-1825137-3	
A103SYAV2Q04	1-1825137-4	
A103SYCB04	1-1825137-5	
A103SYCQ04	1-1825137-6	
A103SYWB04	1-1825137-7	
A103SYWQ04	1-1825137-8	OBSOLETE
A103SYZB04	1-1825137-9	
A103SYZQ04	2-1825137-0	
A103T1CG04	2-1825137-1	OBSOLETE
A103T1ZQ04	2-1825137-2	
A103TZQ04	2-1825137-3	
A105MD9AB04	2-1825137-4	
A105MD9AQ04	2-1825137-5	OBSOLETE
A105MYV30Q04	2-1825137-6	
A105P3CG04	2-1825137-7	OBSOLETE
A105P3CQ04	2-1825137-8	
A105P3ZQ04	2-1825137-9	
A103MDAB04	3-1825137-0	OBSOLETE
A105SD9AB04	3-1825137-1	
A105SD9AV2Q04	3-1825137-2	
A105SD9V30B04	3-1825137-3	OBSOLETE
A105SYAB04	3-1825137-4	
A105SYAV2B04	3-1825137-5	
A105SYCB04	3-1825137-6	
A105SYCQ04	3-1825137-7	
A105SYZB04	3-1825137-8	
A105SYZQ04	3-1825137-9	
A105T1ZB04	4-1825137-0	OBSOLETE
A105T1ZQ04	4-1825137-1	
A105TZQ04	4-1825137-2	
A107KAV2Q04	4-1825137-3	
A107KZB04	4-1825137-4	OBSOLETE
A107MD9AV2B04	4-1825137-5	
A107MD9CQ04	4-1825137-6	
A107MD9V30Q04	4-1825137-7	
A107P3ZQ04	4-1825137-8	
A107SYAQ04	4-1825137-9	OBSOLETE
A107SYCB04	5-1825137-0	
A107SYCQ04	5-1825137-1	
A107SYZQ04	5-1825137-2	
A107TZB04	5-1825137-3	
A105MD9AV2B	5-1825137-4	
A103MD9V30B04	5-1825137-5	OBSOLETE
A103MCWCB04	5-1825137-6	
A103SCWCB04	5-1825137-7	



MATERIALS CHART

COMPONENT NAME	BASE MATERIAL	FINISH
CASE	DAP, RED, UL94 V-0	
FRAME	STAINLESS STEEL	
B TERMINALS & CONTACTS	COPPER	GOLD OVER NICKEL
G TERMINALS & CONTACTS	COPPER	GOLD OVER SILVER
Q TERMINALS & CONTACTS	COPPER	.000400 SILVER
ACTUATOR	PHENOLIC, BLACK, UL94 V-1	
LEVER	BRASS	CHROME
BUSHING	BRASS	NICKEL
SPRING	MUSIC WIRE	
SUPPORT BRACKET	BRASS	TIN
PIVOT PIN	STEEL	NICKEL
LOCK WASHER	STAINLESS STEEL	
LOCKING RING	STAINLESS STEEL	
NUTS	C3604BD BRASS	NICKEL
TERMINAL SEAL	EPOXY	

THIS DRAWING IS A CONTROLLED DOCUMENT. 18MAY05

DWN M. ZITTO
 CHK M. ZITTO
 APVD M. ZITTO

TE TE Connectivity

NAME: GEMINI A SERIES TOGGLE SWITCH, SINGLE POLE, 3 POSITION FUNCTIONS (03, 05 & 07)

PRODUCT SPEC: APPLICATION SPEC

SIZE: A2 CAGE CODE: 00779 DRAWING NO: 1825137 RESTRICTED TO: -

MATERIAL: - FINISH: - WEIGHT: -

CUSTOMER DRAWING SCALE: 3:1 SHEET: 4 of 4 REV: A8

X-ON Electronics

Largest Supplier of Electrical and Electronic Components

Click to view similar products for [Toggle Switches](#) category:

Click to view products by [TE Connectivity](#) manufacturer:

Other Similar products are found below :

[8928K478](#) [8A1-C-222](#) [020017-13](#) [60012L](#) [6006L](#) [CS115W](#) [CS120W](#) [6663](#) [7101SPDV30BE](#) [7103SDV30BE](#) [7105D](#) [7108P3YAV2BE](#)
[71YY50282](#) [7300K36](#) [7301K38](#) [7306K36](#) [7310K36](#) [7506K4](#) [7592K6](#) [7660K12](#) [7691K14](#) [7700K1](#) [8391K108](#) [8396K108](#) [8811K17](#)
[8824K14](#) [8828K13](#) [8835K3](#) [8858K44](#) [PS83-121G](#) [1-1825192-0](#) [A201SCWZB04](#) [A207SYCB04](#) [A208J61ZQ0004](#) [A221T1TCQ](#)
[A323S1CWZQ](#) [A423S1CWZG-M8](#) [1201W](#) [12156AX408](#) [12147AGKX679](#) [12246X778](#) [12TW49-3D](#) [130312](#) [13037L](#) [13001X](#)
[AE101MD1W4B04](#) [AE208SD1W4B04](#) [MS24659-22D](#) [MS27407-5](#) [1520230-9](#)