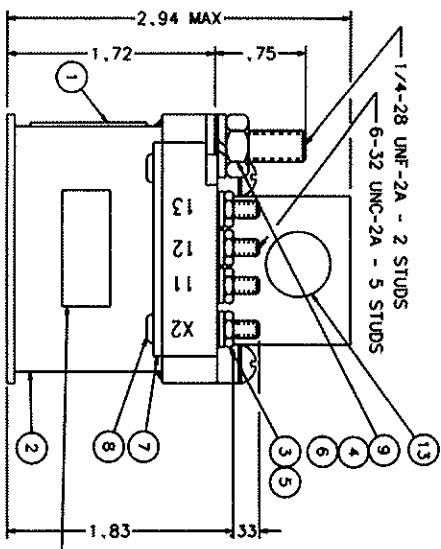
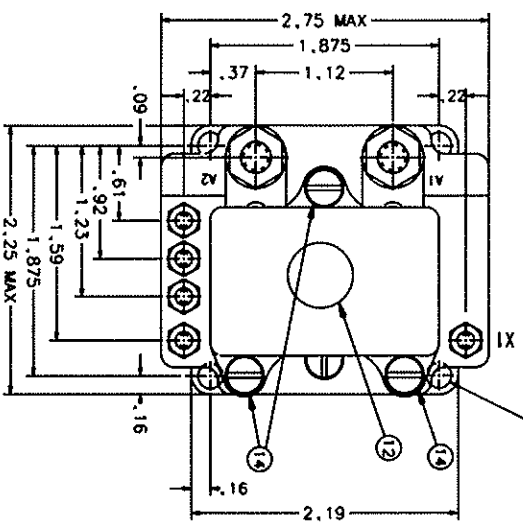


# FAA-PMA

.203 DIA HOLE  
4 MTG HOLES  
SEE NOTE 5



REV	DESCRIPTION	DATE	APPROVED
K	31478 ADDED NOTE 4	96/11/13	RS
L	39029 QTY. OF ITEM 12 WAS 1. QTY. OF ITEM 13 WAS 4	99/03/19	RS
M	42105 FIND 11 WAS 39529-055. NOTE 5 ADDED	00/03/31	RS
N	42727 UPDATED VIEW OF COVER BRIDGE AND NOTE 3	00/06/22	CC
P	43913 RELOCATED 1.83 DIA TO TOP OF NUT	01/01/19	CC
R	6471-04 ITEM 1 WAS 41695-001. REMOVED ITEM 11	04/06/01	CC

### CONSTRUCTION

### MAIN CONTACTS

CONFIGURATION  
VOLTAGE (NOM.)  
CURRENT RES.

### AUXILIARY CONTACTS

CONFIGURATION  
VOLTAGE  
CURRENT RES.

### COIL DATA

MAX OPERATE  
MIN OPERATE  
PICKUP AT 25°C  
DROPOUT  
RES AT 25°C  
DUTY CYCLE

### ENVIRONMENTAL DATA

AMBIENT TEMP  
VIBRATION  
LIFE ELECTRICAL  
LIFE MECHANICAL  
WEIGHT MAX (EST)

### GASKET SEALED, SILASTIC SEALED

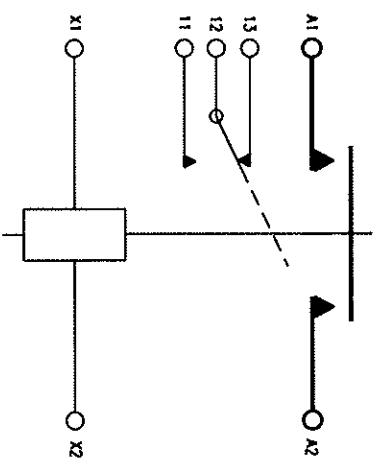
### SPST N.O.

28 VDC  
100 AMP

### SPDT

28 VDC  
5 A

32 VDC  
24 VDC  
16.5 V MAX.  
1 TO 7 VDC  
70 OHM ±20%  
CONTINUOUS



- NOTES:
- THIS UNIT MEETS THE MATERIAL AND WORKMANSHIP REQUIREMENTS OF MIL-R-6106.
  - TERMINALS A1 AND A2 ARE STAINLESS STEEL. AUXILIARY AND COIL TERMINALS ARE BRASS. ALL TERMINALS AND TERMINAL HARDWARE ARE SILVER PLATED.
  - RELAY BODY CONSTRUCTED OF MAGNETIC IRON AND PAINTED WITH BLACK LAQUER. TERMINAL INSULATION MATERIAL AND COVER BRIDGE ARE MINERAL GLASS POLYESTER PER ASTM D5948.
  - FAA/PMA PLATE (AND OVERLAY) NOT REQUIRED ON UNITS SUPPLIED TO ORIGINAL EQUIPMENT MANUFACTURERS.
  - PAINT REMOVED FROM 2 OPPOSITE MTG HOLES, TOP & BOTTOM, FOR GROUNDING PURPOSES.

NO	QTY	IDENTIFYING NO	PART OR IDENTIFYING NO	NONCATALOGUE OR DESCRIPTION	DRAWING OR SPECIFICATION	MATERIAL OR NOTE
1	1		58400-001	OVERLAY - FAA/PMA		
2	2		51703-064	WASHER 1/2x17/64x.032		BRASS
3	2		51200-020	SCREW PAN HD No. 4 x 1/4	SHEET METAL	S.S.
4	2		34290-001	PLATE - COVER		
5	2		51807-034	WASHER LOCK 1/4 SPLIT		BRONZE
6	2		51806-014	WASHER LOCK No. 6 SPLIT		BRONZE
7	2		50407-364	NUT HEX 1/4-20x7/16x3/16		BRASS
8	2		50406-014	NUT HEX 6-32x3/16x5/64		BRASS
9	1		36281-010	CONTRACTOR ASSEMBLY-PRIMARY		
10	1		47618-002	PLATE - NAME		

UNLESS OTHERWISE SPECIFIED DIMENSIONS ARE IN INCHES TOLERANCES ARE	±.06	±.010	±.1*
MATERIAL	CMM		
DR BY	CSC	01/02/13	
CHK BY	CC	01/02/13	
ENGR	JL	01/02/14	
MF	NH	01/02/15	
SIZE	CODE IDENT		
C	74063		
SCALE	NONE	SHEET	

19	Horticon Electronics, 175 N. Diamond Street, Mansfield, Ohio 44902
CONTACTOR - S.P.S.T. N.O.	
100 AMP, 28 VDC	
093	
DWG NO. A-1077DD	
REF TYCO P/N 0-1616055-3	

A-1077DD

## X-ON Electronics

Largest Supplier of Electrical and Electronic Components

*Click to view similar products for* [Contactors - Electromechanical category:](#)

*Click to view products by* [TE Connectivity manufacturer:](#)

Other Similar products are found below :

[6-1618400-7](#) [686-117111](#) [686-120111](#) [686-924](#) [686-948](#) [70-901](#) [70-914](#) [MB-3D-6](#) [MC-22A/4-AC120V](#) [8-1616943-9](#) [8-1672124-5](#)  
[A40-30-10-84](#) [120-905](#) [A701U](#) [120-904](#) [1393132-9](#) [154-905](#) [154-912](#) [154-913](#) [154-915](#) [154-902](#) [154-910](#) [AVR743D](#) [B6-40-00-84](#) [B7-40-00-84](#) [1616017-5](#) [1616021-1](#) [MVDILM](#) [HP-11D-24](#) [P25-E5019-1](#) [P30C47A12D1-120](#) [P40C47A12D1-120](#) [P40P47D13P1-24-01](#) [CA7-12-10-240](#) [CA7-72-00-24Z](#) [90-162](#) [9-1393132-2](#) [2NC4F0222](#) [A275KXXV2-120VAC](#) [ACC338UMM20](#) [AF80-30-11-13](#) [SZ-B1](#) [CGC-9A-120](#) [3GC2H0M22](#) [3NC0T0A22](#) [3NC1Q0A22](#) [3NC2H0A22](#) [3NC2T0122/SE](#) [3TF3400-0BB4](#) [MC-12B-DC24V](#)