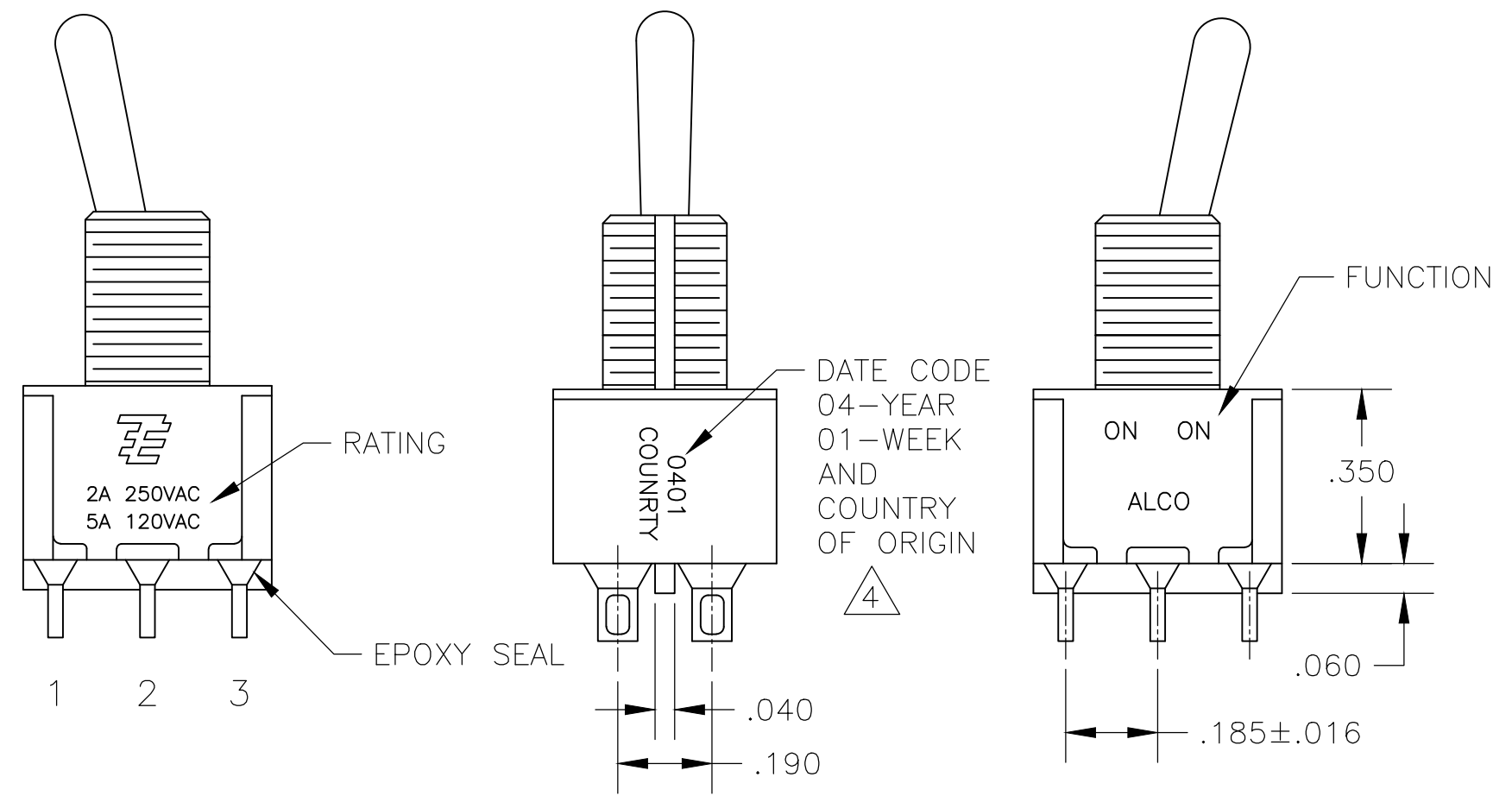
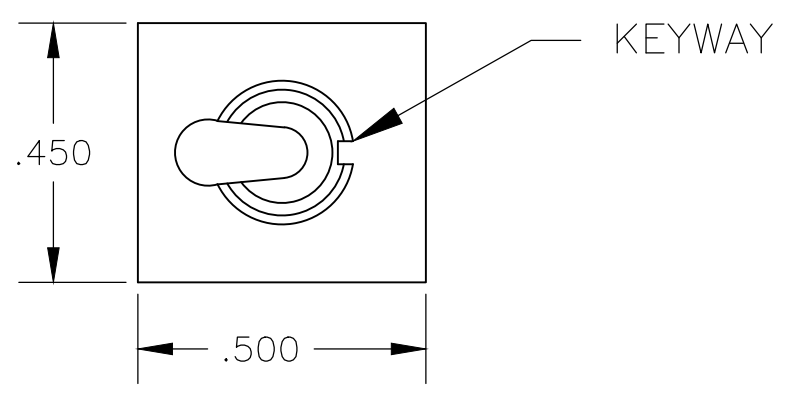


THIS DRAWING IS UNPUBLISHED. RELEASED FOR PUBLICATION
 © COPYRIGHT - By - ALL RIGHTS RESERVED.

REVISIONS					
P	LTR	DESCRIPTION	DATE	DWN	APVD
	A6	ECR-16-017266	01JUN2018	SR	PO



- ALL MATERIALS AND FINISHES SHALL COMPLY WITH EU DIRECTIVE 2002/95/EC OF 27JAN2003 (ROHS).
 - EACH SWITCH WITH THREADED BUSHINGS SUPPLIED WITH THE FOLLWING MOUNTING HARDWARE:
 (2) HEX NUTS
 (1) INTERNAL TOOTH LOCKWASHER
 (1) LOCATING RING.
 - G CONTACT OPTION CAN BE USED FOR SIGNAL OR POWER LEVEL SWITCHING. IF SWITCH IS USED AT LEVELS EXCEEDING .4VA @ 20V AC/DC, SWITCH IS RENDERED FOR POWER SWITCHING ONLY DUE TO ARC REMOVAL OF GOLD PLATING. RATING MARKED ON FRAME IS 2A 250VAC, 5A 120 VAC.
- △4 DATE CODE AND COUNTRY OF ORIGIN MAY APPEAR ON EITHER SIDE OF SWITCH.
 △5 LENGTH OF TOGGLE REDUCED BY .020 WITH A, AV2, V30 OR V40 VERTICAL SUPPORT BRACKET OPTIONS.
- 6 ALL LOGO, RATING, DATE CODE, AND FUNCTION MARKINGS TO BE LASER MARKED.

FUNCTION CHART			
FUNCTION			
01	ON	NONE	ON
08	ON	NONE	(ON)
TERMINALS CONNECTED	2-3, 5-6	---	1-2, 4-5

None: No mechanical position
 Off: Mechanical position with no electrical connection
 (On): Momentary action

SPECIFICATIONS CHART	
RATING, B CONTACTS	.4VA MAX @20V MAX. AC OR DC
RATING, G CONTACTS—SEE NOTE 3	.4VA MAX @20V MAX. AC OR DC OR 5A @120 VAC OR 28 VDC (RESISTIVE)
	2A @250 VAC (RESISTIVE)
RATING, Q CONTACTS	5A @120 VAC OR 28 VDC (RESISTIVE)
	2A @250 VAC (RESISTIVE)
ELECTRICAL LIFE	6,000 CYCLES AT RATED LOAD
CONTACT RESISTANCE	10 MILLIOHMS MAX INITIAL @ 2-4VDC, 100ma
INSULATION RESISTANCE	1,000 MEGOHMS MIN
DIELECTRIC WITHSTANDING VOLTAGE	1,000 V RMS AT SEA LEVEL
OPERATING TEMPRATURE	-30C TO 85C

PART NUMBER SEQUENCE CHART						
MODEL	FUNCTION	TOGGLE	BUSHING	TERMINAL	CONTACT	RoHS
A2	01	K	CW	A	B	04
		K1	D	AV2	G	
	08	L	D9	C	Q	
		L1	H	V30		
		L2	Y	V40		
		M	Y9	V70		
		P3		W		
		S		W4		
		T		Z		
		T1		Z3		

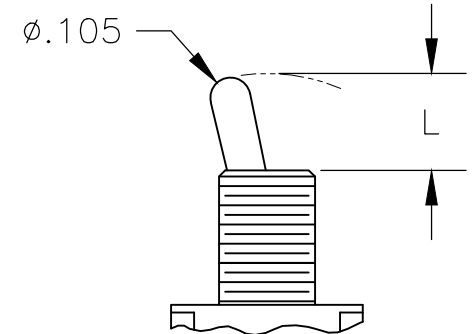
EXAMPLE: A201SYCQ04

THIS DRAWING IS A CONTROLLED DOCUMENT.		DWN	M. ZITTO	18MAY05	 TE Connectivity
DIMENSIONS: INCHES		CHK	M. ZITTO	-	
TOLERANCES UNLESS OTHERWISE SPECIFIED:		APVD	M. ZITTO	-	
0 PLC ± - 1 PLC ± - 2 PLC ± - 3 PLC ± .010 4 PLC ± - ANGLES ± 2°		PRODUCT SPEC			
MATERIAL		APPLICATION SPEC			NAME
FINISH		WEIGHT			GEMINI A SERIES TOGGLE SWITCH, DOUBLE POLE, 2 POSITION FUNCTIONS (01 & 08)
		CUSTOMER DRAWING		SCALE	3:1
		SHEET		1 OF 4	REV
		DRAWING NO		A2 00779	C=1825138
		RESTRICTED TO			

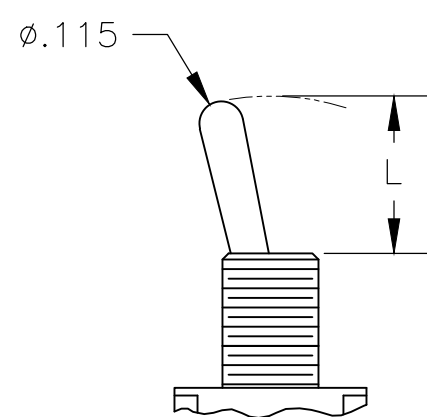
THIS DRAWING IS UNPUBLISHED. RELEASED FOR PUBLICATION. ALL RIGHTS RESERVED.

REVISIONS					
P	LTR	DESCRIPTION	DATE	DWN	APVD
-	-	SEE SHEET 1	-	-	-

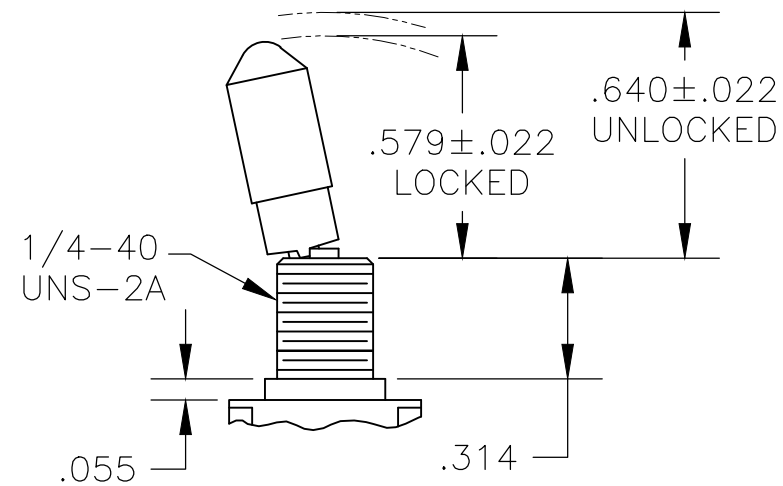
TOGGLES



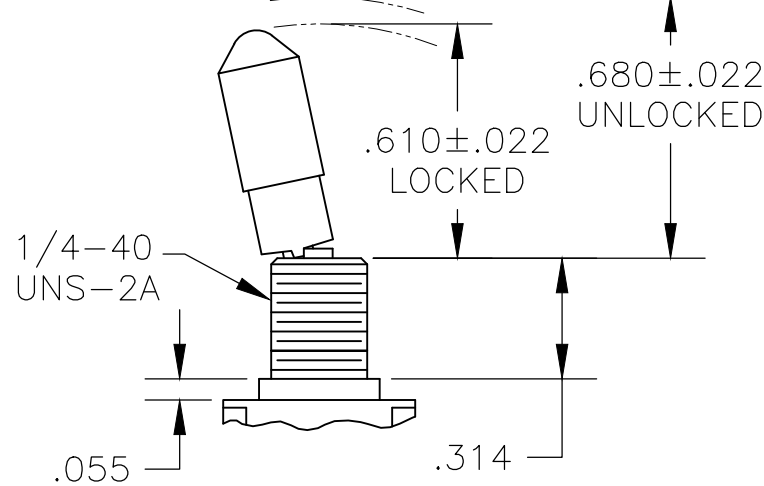
M SHORT



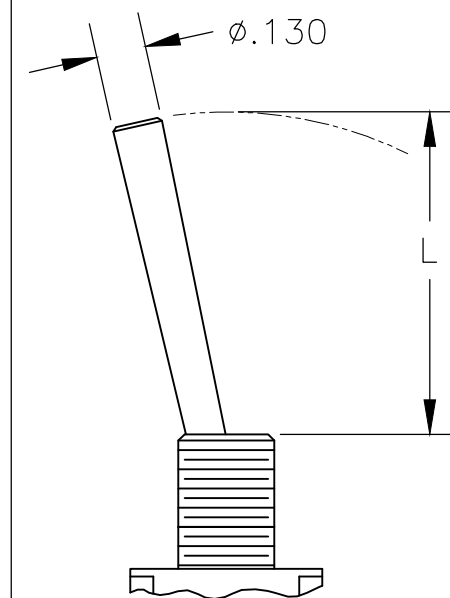
S STANDARD



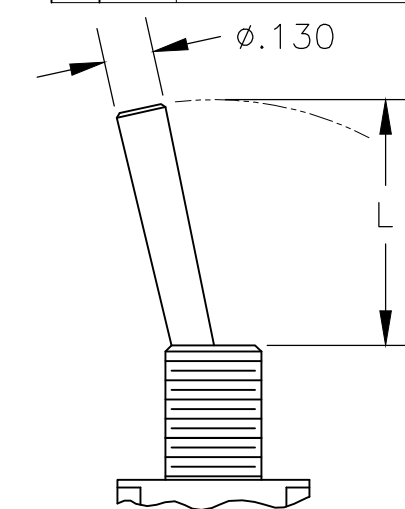
K NO BUSHING OPTION NEEDED



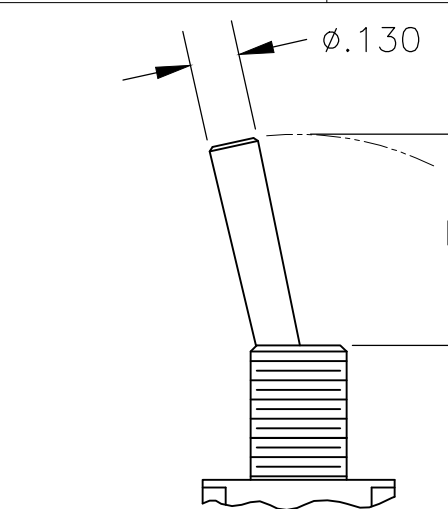
K1 NO BUSHING OPTION NEEDED



L LEVER



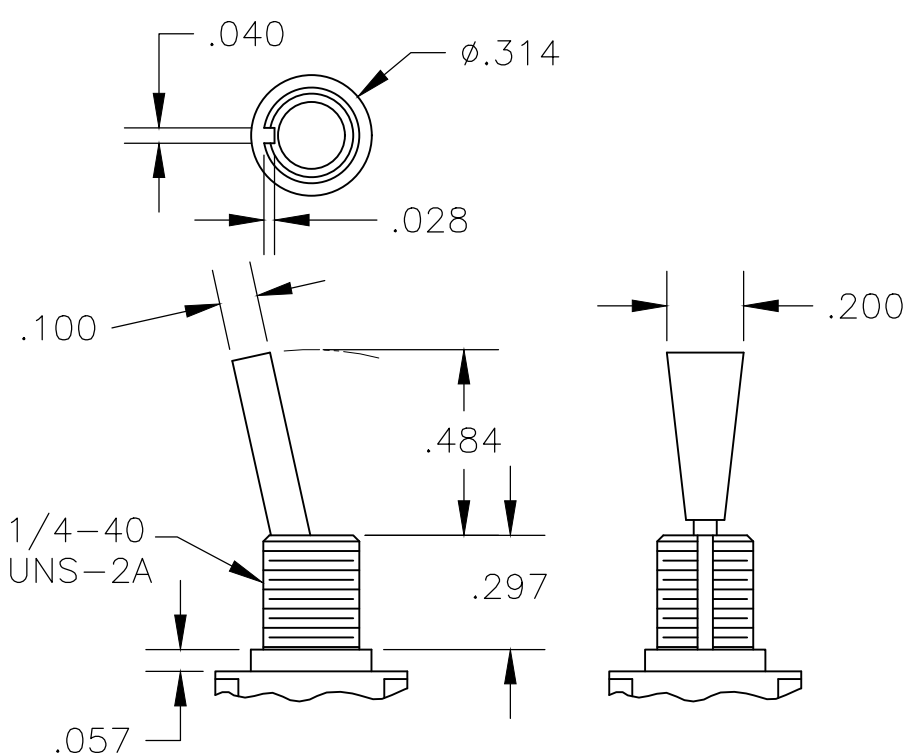
L1 LEVER



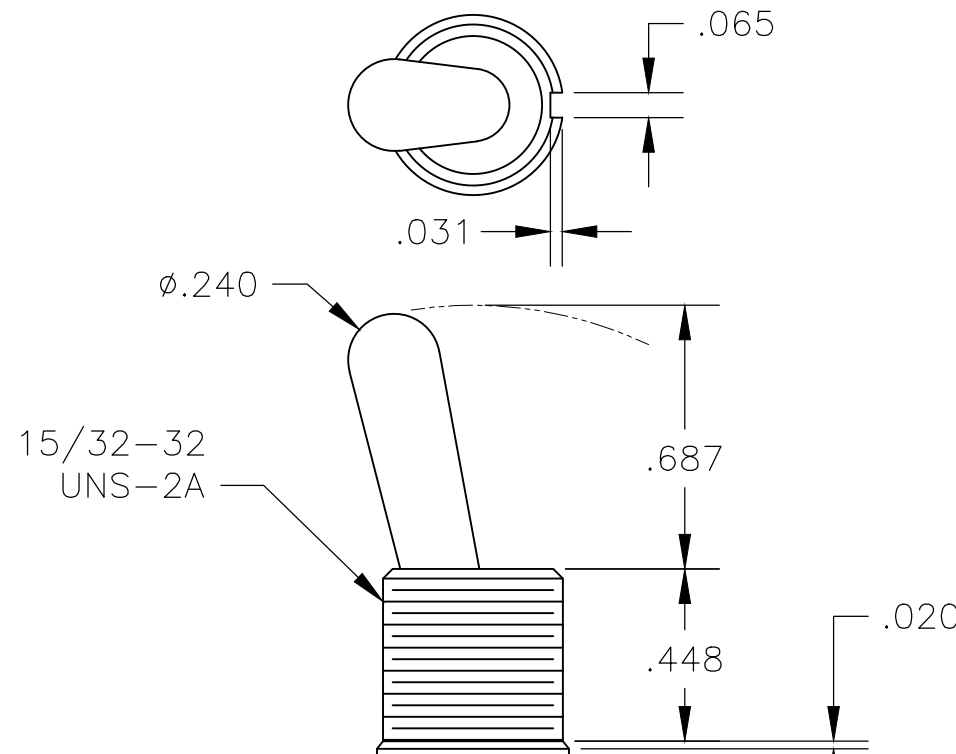
L2 LEVER

DIM L	BUSHING TYPE	DIM L	BUSHING TYPE
.200	Y, H	.410	Y, H
.270	D, D9	.480	D, D9

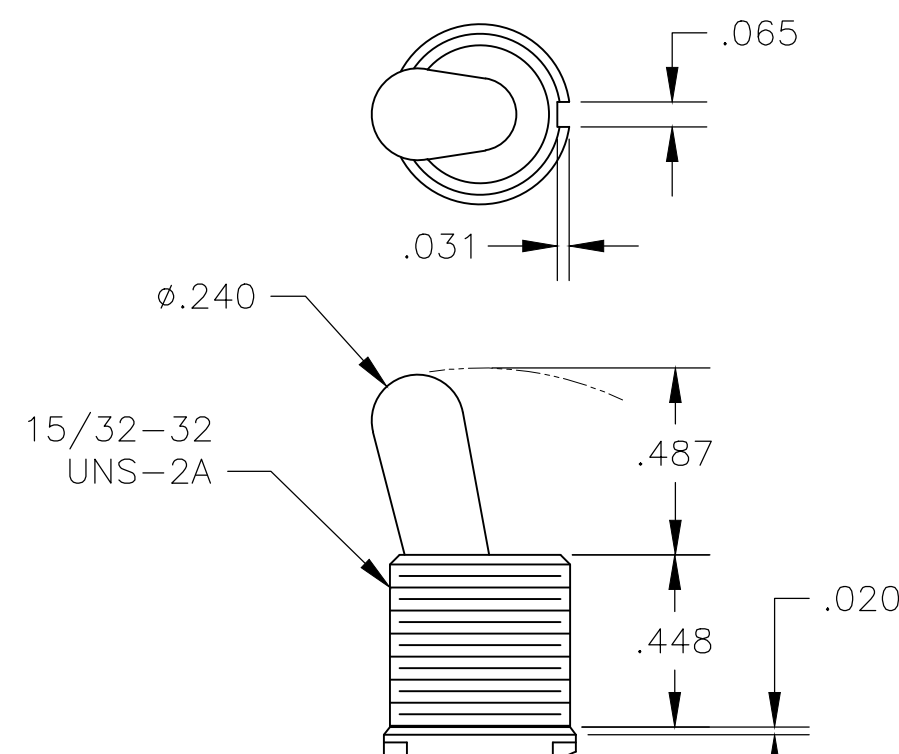
DIM L	BUSHING TYPE	DIM L	BUSHING TYPE	DIM L	BUSHING TYPE
.840	Y, H	.640	Y, H	.550	Y, H
.910	D, D9	.710	D, D9	.620	D, D9



P3 NO BUSHING OPTION NEEDED

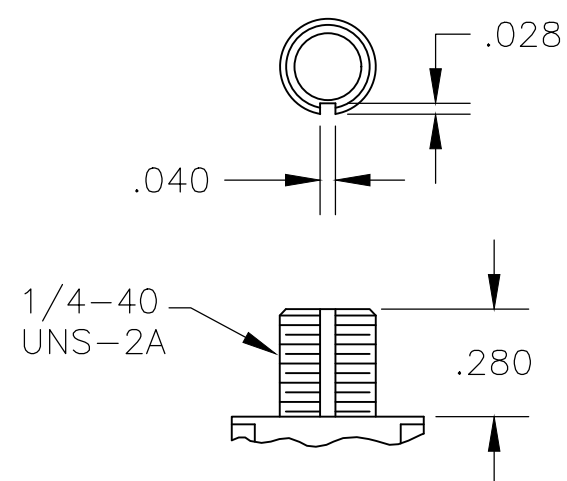


T NO BUSHING OPTION NEEDED



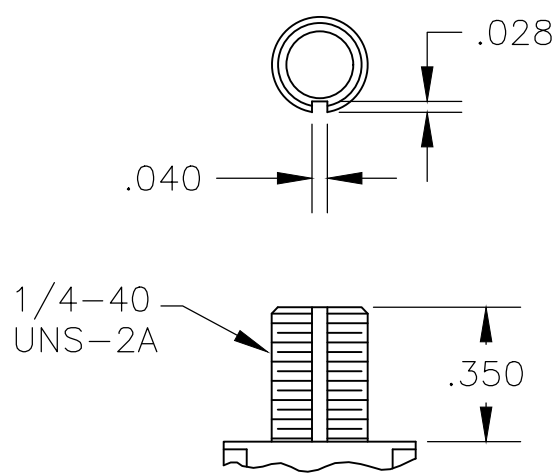
T1 NO BUSHING OPTION NEEDED

BUSHINGS



D THREADED

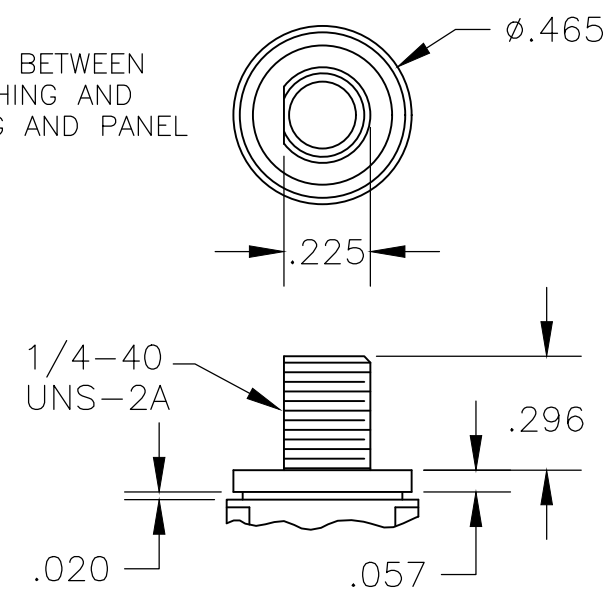
D9 UNTHREADED



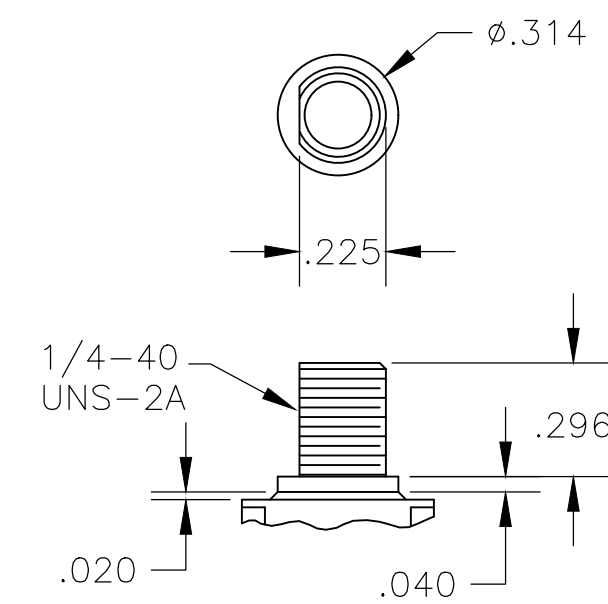
Y THREADED

Y9 UNTHREADED

CONTAINS O-RING BETWEEN TOGGLE AND BUSHING AND BETWEEN BUSHING AND PANEL



CW THREADED SPLASHPROOF

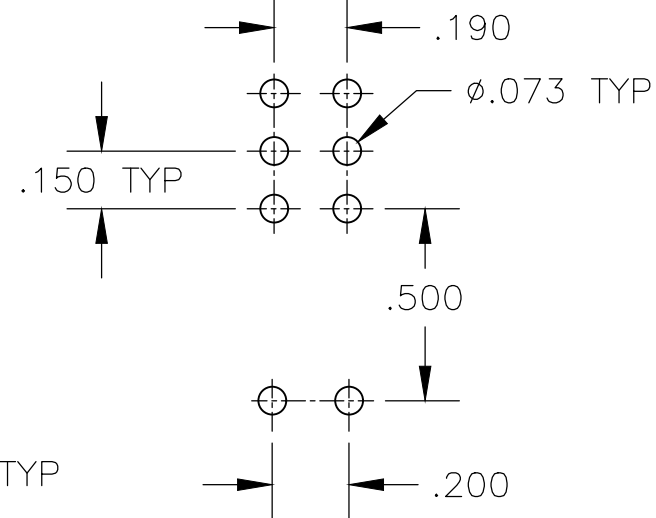
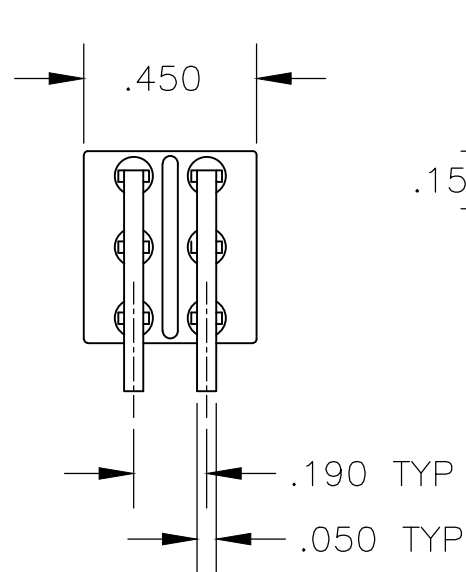
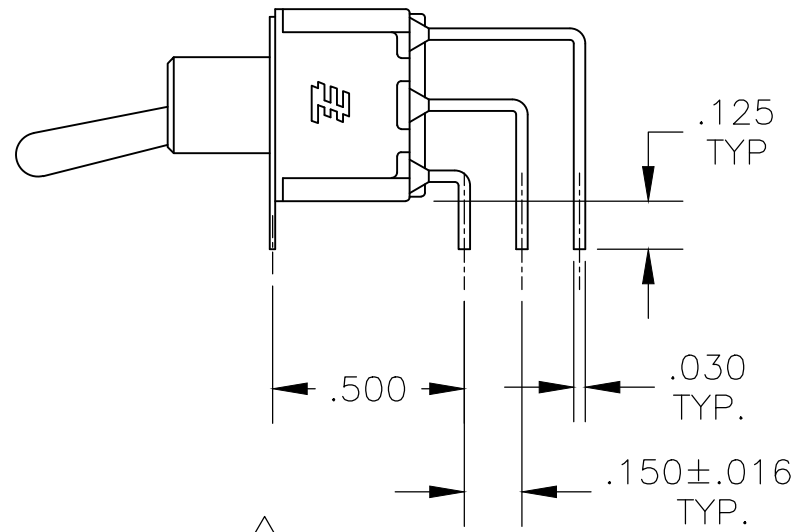
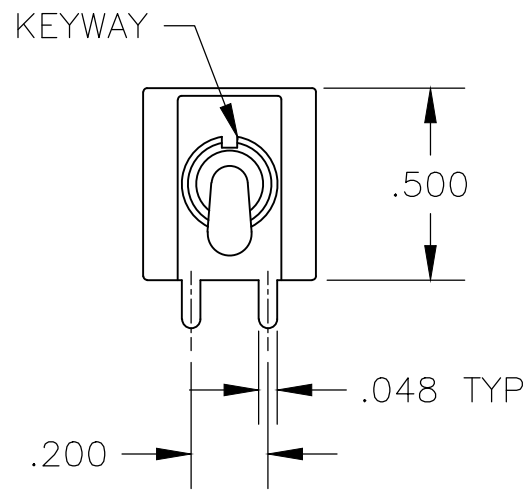


H HIGH TORQUE

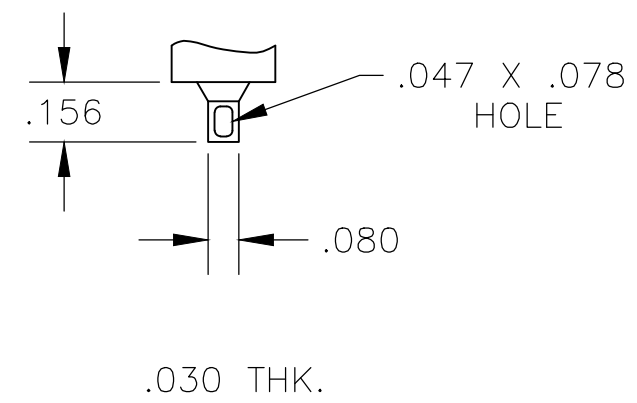
THIS DRAWING IS A CONTROLLED DOCUMENT.		DWN	M. ZITTO	18MAY05	 TE Connectivity	NAME		GEMINI A SERIES TOGGLE SWITCH, DOUBLE POLE, 2 POSITION FUNCTIONS (01 & 08)		
DIMENSIONS: INCHES		CHK	M. ZITTO	-		PRODUCT SPEC		-		
TOLERANCES UNLESS OTHERWISE SPECIFIED:		APVD	M. ZITTO	-		APPLICATION SPEC		-		
0 PLC ± - 1 PLC ± - 2 PLC ± - 3 PLC ± .010 4 PLC ± - ANGLES ± 2°		MATERIAL	-	WEIGHT		A2	CAGE CODE	00779	DRAWING NO	C=1825138
CUSTOMER DRAWING		SCALE		3:1	SHEET		2 of 4	REV		A6

THIS DRAWING IS UNPUBLISHED. RELEASED FOR PUBLICATION
 © COPYRIGHT - By - ALL RIGHTS RESERVED.

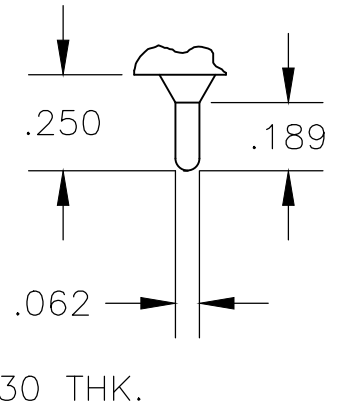
REVISIONS					
P	LTR	DESCRIPTION	DATE	DWN	APVD
-	-	SEE SHEET 1	-	-	-



RECOMMENDED PCB LAYOUT



.030 THK.

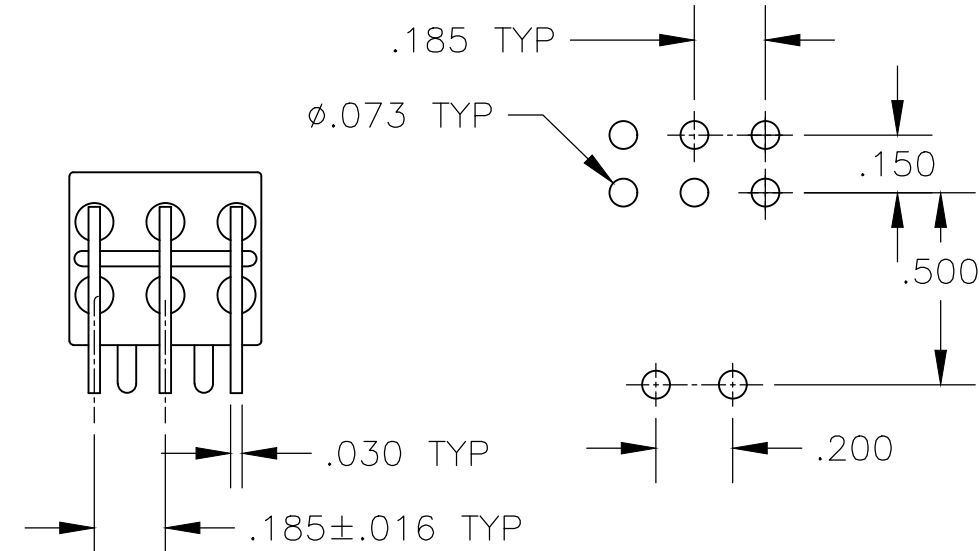
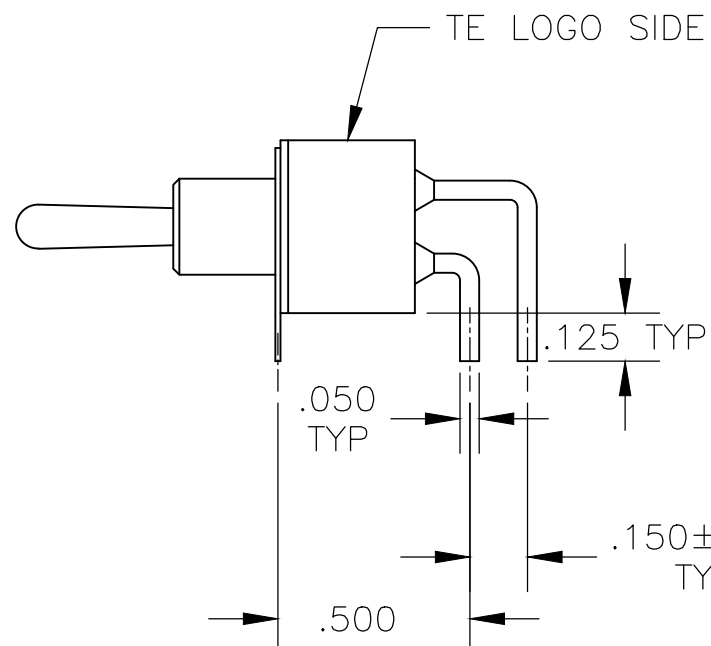
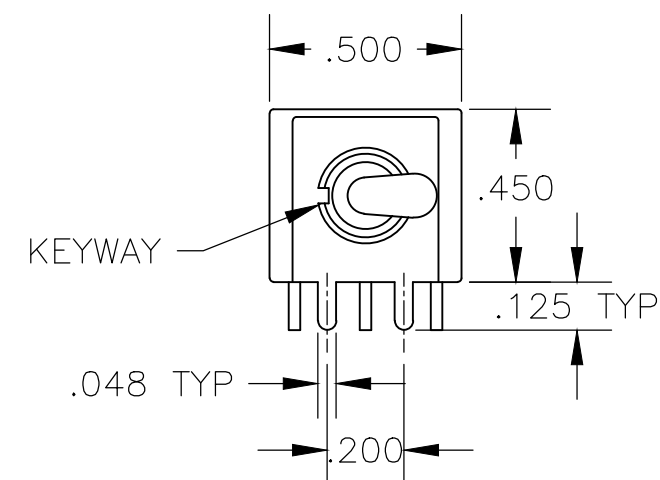


.030 THK.

AV2 VERTICAL RIGHT ANGLE 5

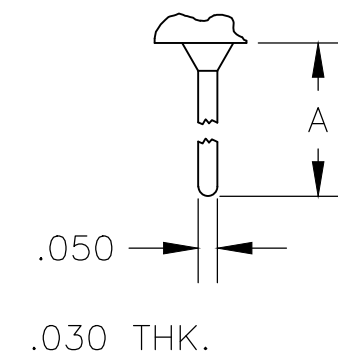
Z WIRE LUG

Z3 QUICK CONNECT



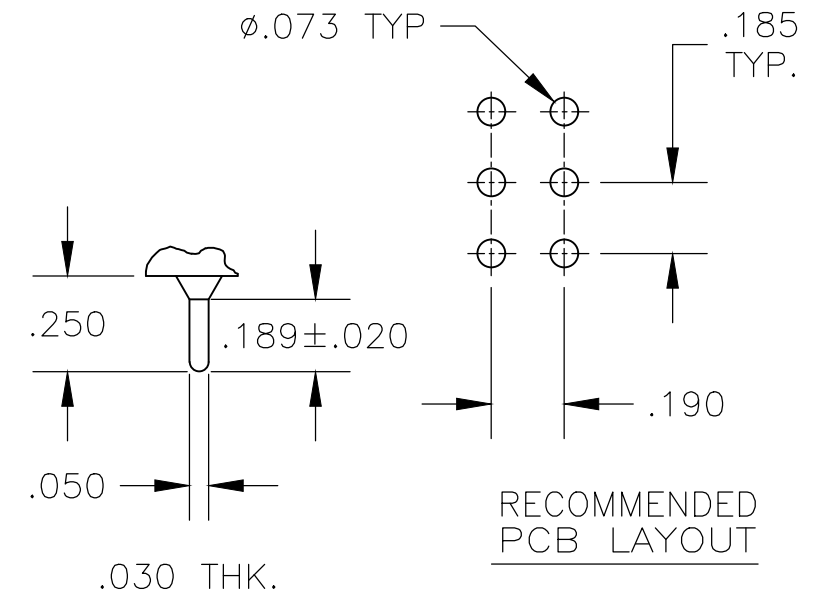
RECOMMENDED PCB LAYOUT

OPTION	DIM A
W	.736
W4	1.062



.030 THK.

W W4 WIRE WRAP

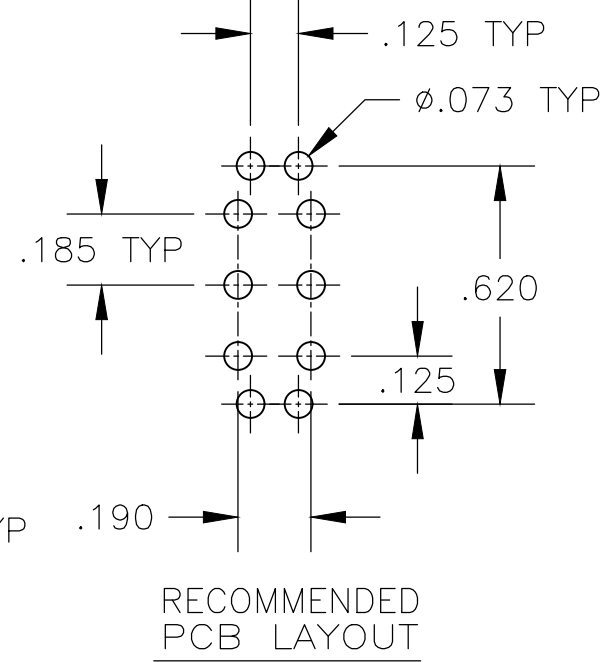
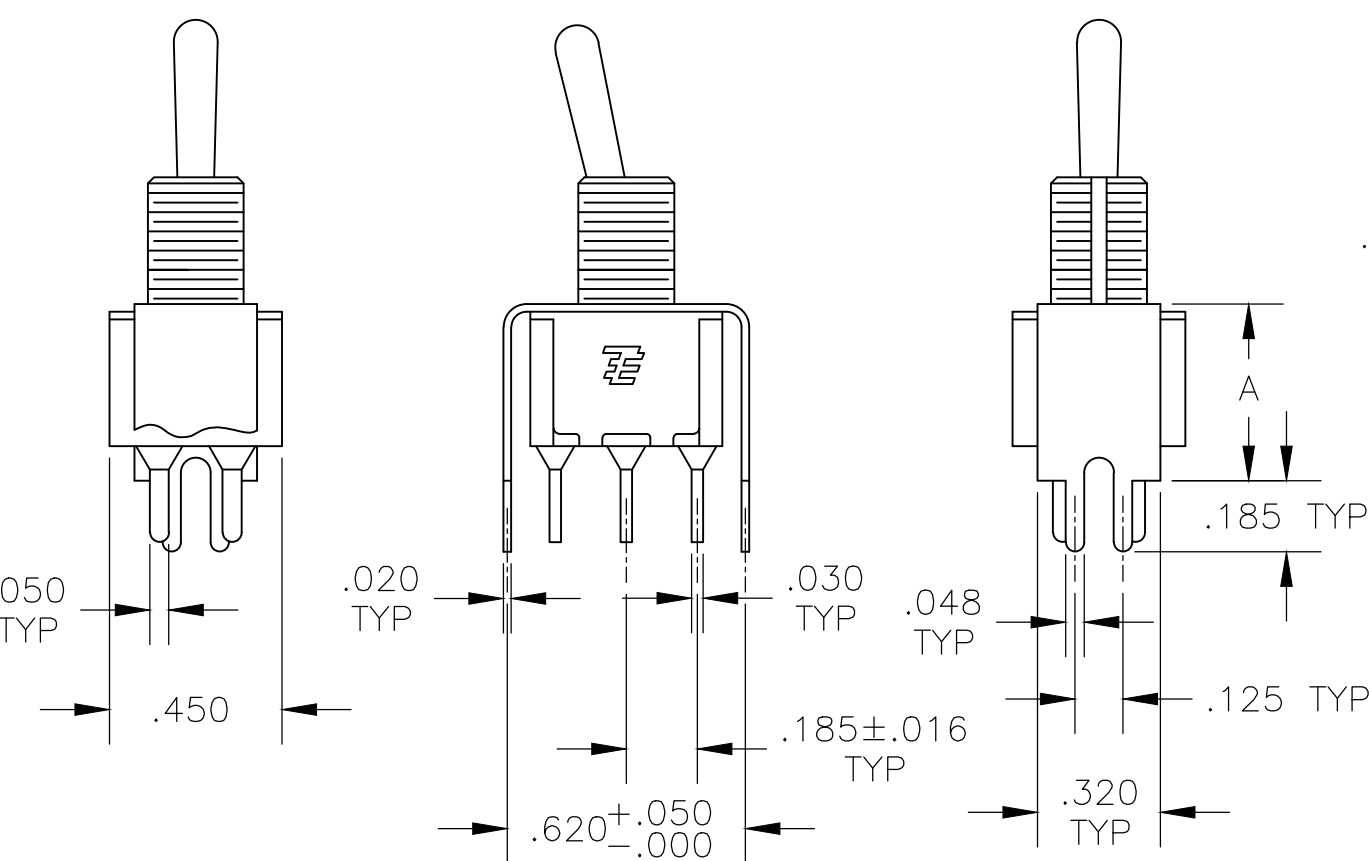


.030 THK.

RECOMMENDED PCB LAYOUT

C PRINTED CIRCUIT

A RIGHT ANGLE 5

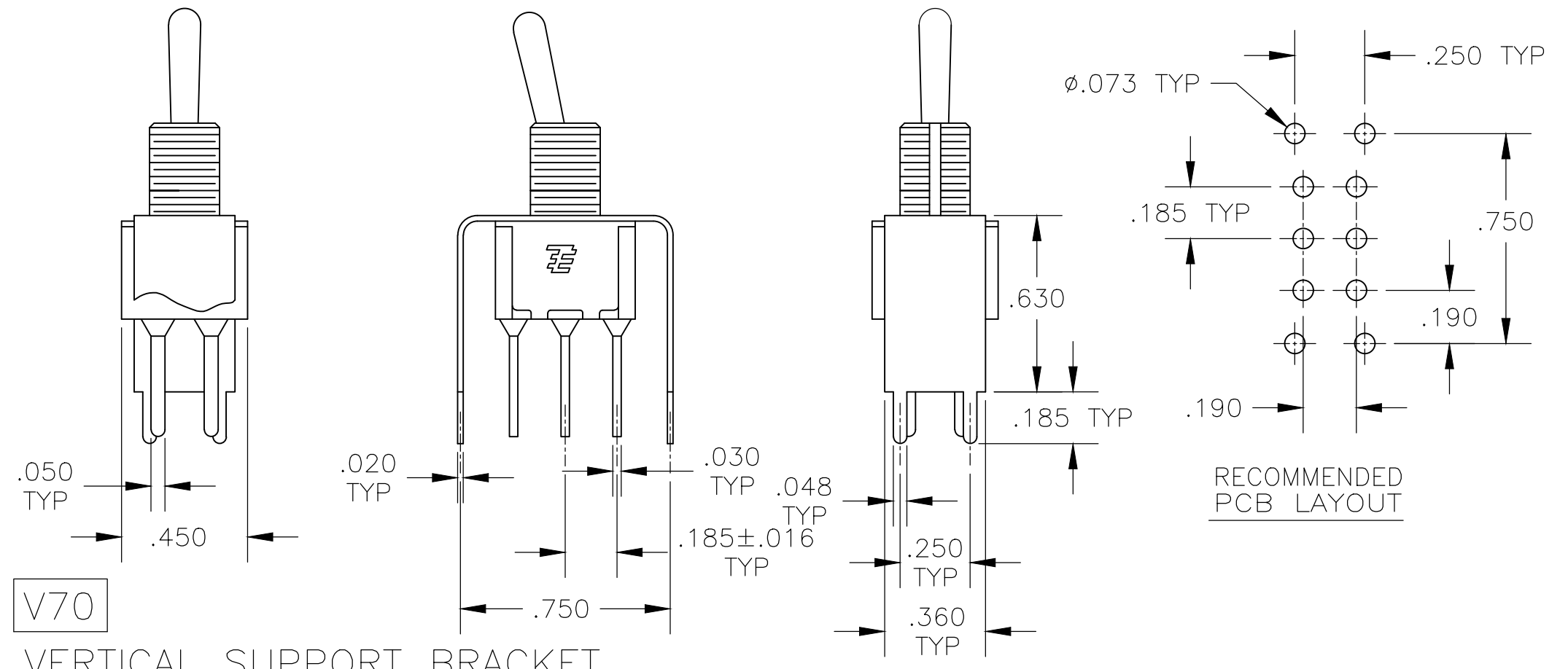


RECOMMENDED PCB LAYOUT

OPTION	DIM A
V30	.460
V40	.630

V30 V40 5 VERTICAL SUPPORT BRACKET

V70 VERTICAL SUPPORT BRACKET



RECOMMENDED PCB LAYOUT

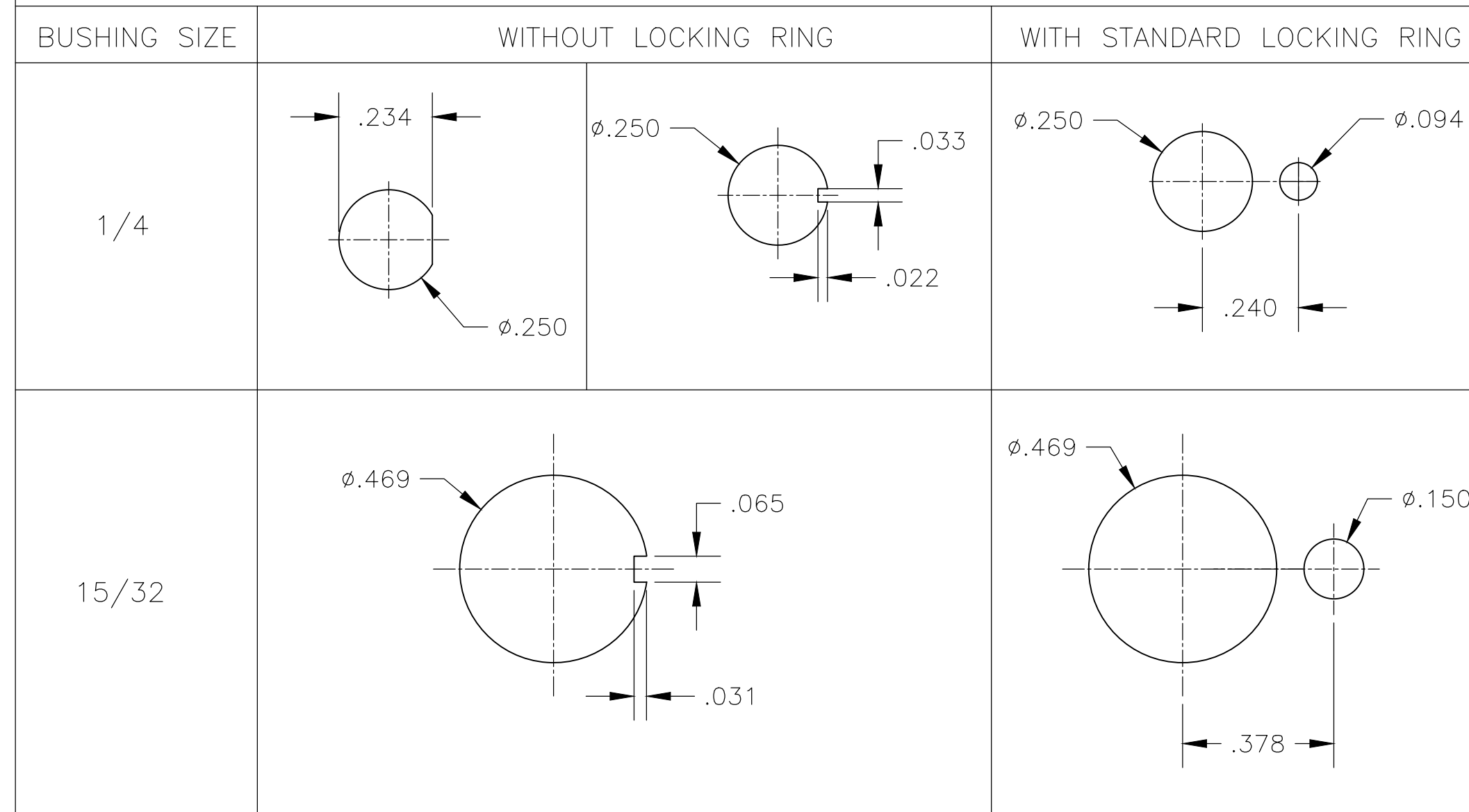
THIS DRAWING IS A CONTROLLED DOCUMENT. 18MAY05

DWN	M. ZITTO	18MAY05	 TE Connectivity
CHK	M. ZITTO	-	
APVD	M. ZITTO	-	
PRODUCT SPEC	M. ZITTO	-	
APPLICATION SPEC			NAME
MATERIAL			GEMINI A SERIES TOGGLE SWITCH, DOUBLE POLE, 2 POSITION FUNCTIONS (01 & 08)
FINISH			SIZE
WEIGHT			0
CUSTOMER DRAWING			CAGE CODE
SCALE			A2 00779
SHEET			C=1825138
REV			3 of 4
APVD			A6

THIS DRAWING IS UNPUBLISHED. RELEASED FOR PUBLICATION
 © COPYRIGHT - By - ALL RIGHTS RESERVED.

REVISIONS				
P	LTR	DESCRIPTION	DATE	APVD
-	-	SEE SHEET 1	-	-

RECOMMENDED PANEL CUT-OUTS



Alco P/N	P/N	
A201KAB04	1825138-1	
A201KD9AQ04	1825138-2	OBSOLETE
A201KZQ04	1825138-3	
not assigned	1825138-4	OBSOLETE
A201L1D9V30Q04	1825138-5	
A201MD9AB04	1825138-6	
A201MD9AQ04	1825138-7	
A201MD9AV2B04	1825138-8	
A201MD9AV2Q04	1825138-9	
A201MDAQ04	1-1825138-0	OBSOLETE
not assigned	1-1825138-1	
A201MYAQ04	1-1825138-2	OBSOLETE
A201MYCB04	1-1825138-3	
A201MYZQ04	1-1825138-4	
A201P3ZQ04	1-1825138-5	
A201SCWZB04	1-1825138-6	
A201SD9AQ04	1-1825138-7	
A201SD9AV2Q04	1-1825138-8	
A201SDCB04	1-1825138-9	OBSOLETE
A201SDZQ04	2-1825138-0	
A201SY9AB04	2-1825138-1	OBSOLETE
A201SYAB04	2-1825138-2	
A201SYAQ04	2-1825138-3	
A201SYCB04	2-1825138-4	
A201SYCQ04	2-1825138-5	
A201SYWQ04	2-1825138-6	
A201SYZB04	2-1825138-7	
A201SYZQ04	2-1825138-8	
A201T1ZQ04	2-1825138-9	
not assigned	3-1825138-0	OBSOLETE
A201TZQ04	3-1825138-1	
A208KZG04	3-1825138-2	OBSOLETE
A208P3ZQ04	3-1825138-3	
A208SD9AQ04	3-1825138-4	OBSOLETE
A208SD9AV2Q04	3-1825138-5	
A208SYCB04	3-1825138-6	
A208SYCQ04	3-1825138-7	
A208SYZQ04	3-1825138-8	
A208T1ZQ04	3-1825138-9	OBSOLETE
A208TZQ04	4-1825138-0	
A208SDCQ04	4-1825138-1	OBSOLETE
A201P3V30G04	4-1825138-2	
A203MD9AQ-UL	4-1825138-3	OBSOLETE
A201MCWCB04	4-1825138-4	
A201SCWCB04	4-1825138-5	

MATERIALS CHART

COMPONENT NAME	BASE MATERIAL	FINISH
CASE	DAP, RED, UL94 V-0	
FRAME	STAINLESS STEEL	
B TERMINALS & CONTACTS	COPPER	GOLD OVER NICKEL
G TERMINALS & CONTACTS	COPPER	GOLD OVER SILVER
Q TERMINALS & CONTACTS	COPPER	.000400 SILVER
ACTUATOR	PHENOLIC, BLACK, UL94 V-1	
LEVER	BRASS	CHROME
BUSHING	BRASS	NICKEL
SPRING	MUSIC WIRE	
SUPPORT BRACKET	BRASS	TIN
PIVOT PIN	STEEL	NICKEL
LOCK WASHER	STAINLESS STEEL	
LOCKING RING	STAINLESS STEEL	
NUTS	C3604BD BRASS	NICKEL
TERMINAL SEAL	EPOXY	

THIS DRAWING IS A CONTROLLED DOCUMENT.		DWN M. ZITTO 18MAY05	 TE Connectivity
DIMENSIONS: INCHES		CHK M. ZITTO	
TOLERANCES UNLESS OTHERWISE SPECIFIED:		APVD M. ZITTO	NAME GEMINI A SERIES TOGGLE SWITCH, DOUBLE POLE, 2 POSITION FUNCTIONS (01 & 08)
0 PLC ± - 1 PLC ± - 2 PLC ± - 3 PLC ± .010 4 PLC ± - ANGLES ± 2°		PRODUCT SPEC	
MATERIAL	FINISH	APPLICATION SPEC	SIZE A2
		WEIGHT	CAGE CODE 00779
		CUSTOMER DRAWING	DRAWING NO 1825138
		SCALE 3:1	SHEET 4 of 4
		REV A6	RESTRICTED TO

X-ON Electronics

Largest Supplier of Electrical and Electronic Components

Click to view similar products for [Toggle Switches](#) category:

Click to view products by [TE Connectivity](#) manufacturer:

Other Similar products are found below :

[8928K478](#) [8A1-C-222](#) [020017-13](#) [60012L](#) [6006L](#) [CS115W](#) [CS120W](#) [6663](#) [7101SPDV30BE](#) [7103SDV30BE](#) [7105D](#) [7108P3YAV2BE](#)
[71YY50282](#) [7300K36](#) [7301K38](#) [7306K36](#) [7310K36](#) [7506K4](#) [7592K6](#) [7660K12](#) [7691K14](#) [7700K1](#) [8391K108](#) [8396K108](#) [8811K17](#)
[8812K14](#) [8824K14](#) [8828K13](#) [8835K3](#) [8858K44](#) [PS83-121G](#) [1-1825192-0](#) [A201SCWZB04](#) [A207SYCB04](#) [A208J61ZQ0004](#) [A221T1TCQ](#)
[A323S1CWZQ](#) [A423S1CWZG-M8](#) [1201W](#) [12156AX408](#) [12147AGKX679](#) [12246X778](#) [12TW49-3D](#) [130312](#) [13037L](#) [13001X](#)
[AE101MD1W4B04](#) [AE208SD1W4B04](#) [MS24659-22D](#) [MS27407-5](#)