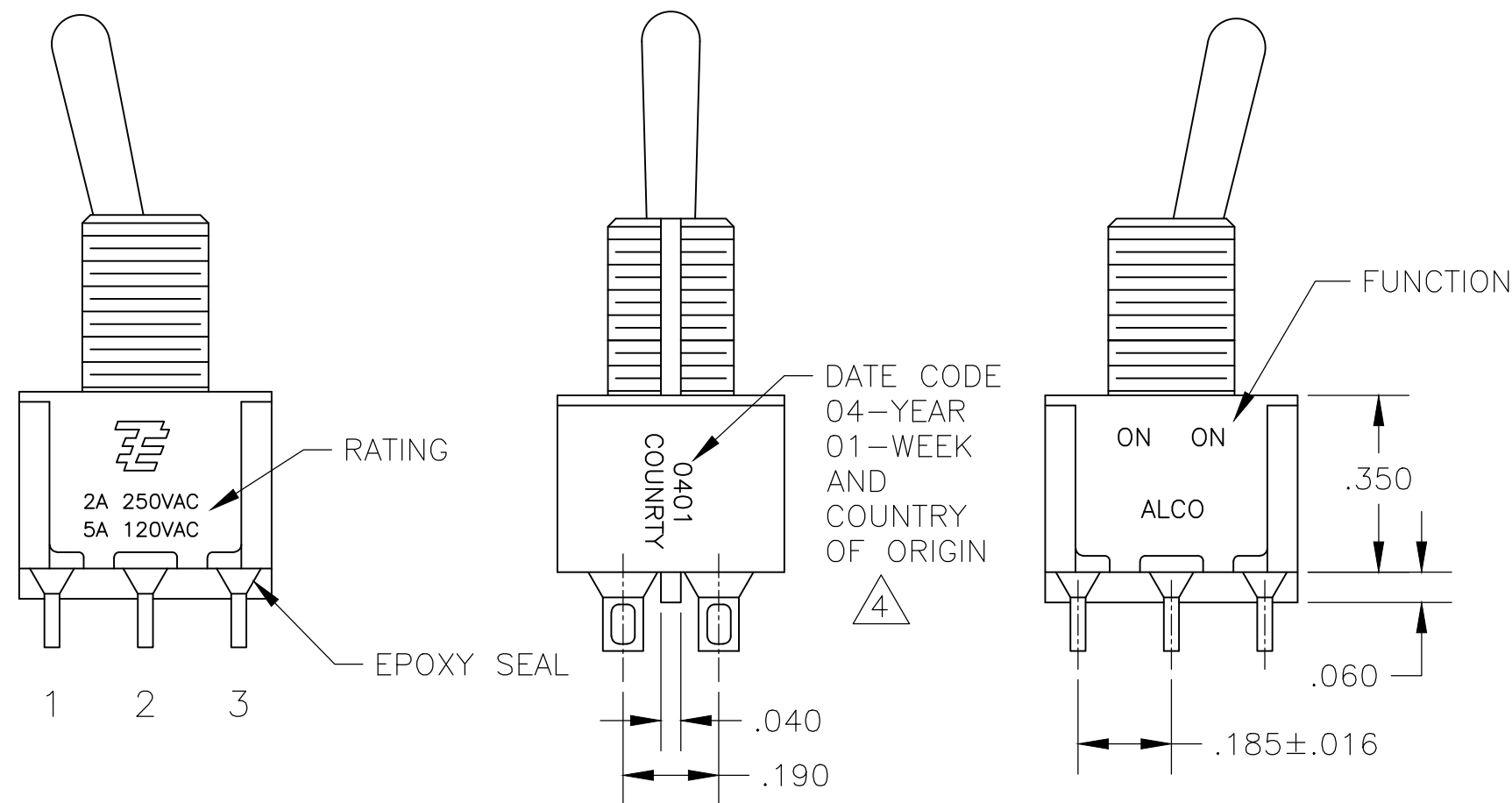
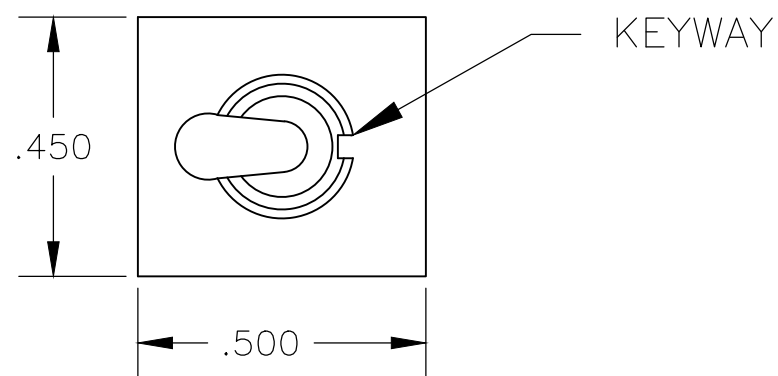


THIS DRAWING IS UNPUBLISHED. RELEASED FOR PUBLICATION  
 © COPYRIGHT - By - ALL RIGHTS RESERVED.

REVISIONS					
P	LTR	DESCRIPTION	DATE	DWN	APVD
	A6	ECR-16-017266	01JUN2018	SR	PO



- ALL MATERIALS AND FINISHES SHALL COMPLY WITH EU DIRECTIVE 2002/95/EC OF 27JAN2003 (ROHS).
  - EACH SWITCH WITH THREADED BUSHINGS SUPPLIED WITH THE FOLLWING MOUNTING HARDWARE:  
 (2) HEX NUTS  
 (1) INTERNAL TOOTH LOCKWASHER  
 (1) LOCATING RING.
  - G CONTACT OPTION CAN BE USED FOR SIGNAL OR POWER LEVEL SWITCHING. IF SWITCH IS USED AT LEVELS EXCEEDING .4VA @ 20V AC/DC, SWITCH IS RENDERED FOR POWER SWITCHING ONLY DUE TO ARC REMOVAL OF GOLD PLATING. RATING MARKED ON FRAME IS 2A 250VAC, 5A 120 VAC.
- △4 DATE CODE AND COUNTRY OF ORIGIN MAY APPEAR ON EITHER SIDE OF SWITCH.  
 △5 LENGTH OF TOGGLE REDUCED BY .020 WITH A, AV2, V30 OR V40 VERTICAL SUPPORT BRACKET OPTIONS.
- 6 ALL LOGO, RATING, DATE CODE, AND FUNCTION MARKINGS TO BE LASER MARKED.

FUNCTION CHART			
FUNCTION	1 2 3 4 5 6	1 2 3 4 5 6	1 2 3 4 5 6
01	ON	NONE	ON
08	ON	NONE	(ON)
TERMINALS CONNECTED	2-3, 5-6	---	1-2, 4-5

None: No mechanical position  
 Off: Mechanical position with no electrical connection  
 (On): Momentary action

SPECIFICATIONS CHART	
RATING, B CONTACTS	.4VA MAX @20V MAX. AC OR DC
RATING, G CONTACTS—SEE NOTE 3	.4VA MAX @20V MAX. AC OR DC OR 5A @120 VAC OR 28 VDC (RESISTIVE)
	2A @250 VAC (RESISTIVE)
RATING, Q CONTACTS	5A @120 VAC OR 28 VDC (RESISTIVE)
	2A @250 VAC (RESISTIVE)
ELECTRICAL LIFE	6,000 CYCLES AT RATED LOAD
CONTACT RESISTANCE	10 MILLIOHMS MAX INITIAL @ 2-4VDC, 100ma
INSULATION RESISTANCE	1,000 MEGOHMS MIN
DIELECTRIC WITHSTANDING VOLTAGE	1,000 V RMS AT SEA LEVEL
OPERATING TEMPRATURE	-30C TO 85C

PART NUMBER SEQUENCE CHART						
MODEL	FUNCTION	TOGGLE	BUSHING	TERMINAL	CONTACT	RoHS
A2	01	K	CW	A	B	04
		K1	D	AV2	G	
	08	L	D9	C	Q	
		L1	H	V30		
		L2	Y	V40		
		M	Y9	V70		
		P3		W		
		S		W4		
		T		Z		
		T1		Z3		

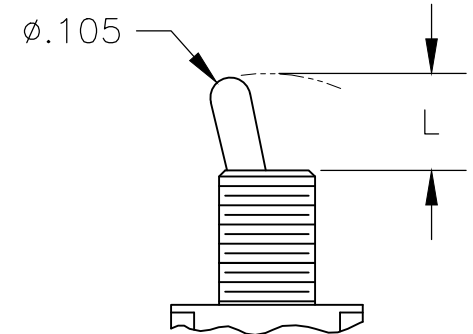
EXAMPLE: A201SYCQ04

THIS DRAWING IS A CONTROLLED DOCUMENT.		DWN	M. ZITTO	18MAY05	TE Connectivity	
DIMENSIONS: INCHES		CHK	M. ZITTO	-		
TOLERANCES UNLESS OTHERWISE SPECIFIED:		APVD	M. ZITTO	-	NAME GEMINI A SERIES TOGGLE SWITCH, DOUBLE POLE, 2 POSITION FUNCTIONS (01 & 08)	
0 PLC ± -		PRODUCT SPEC	-			
1 PLC ± -		APPLICATION SPEC	-		SIZE	A2
2 PLC ± -					CAGE CODE	00779
3 PLC ± .010					DRAWING NO	C=1825138
4 PLC ± -					RESTRICTED TO	-
ANGLES ± 2°					SCALE	3:1
MATERIAL	FINISH	WEIGHT			SHEET	1 of 4
					REV	A6
CUSTOMER DRAWING						

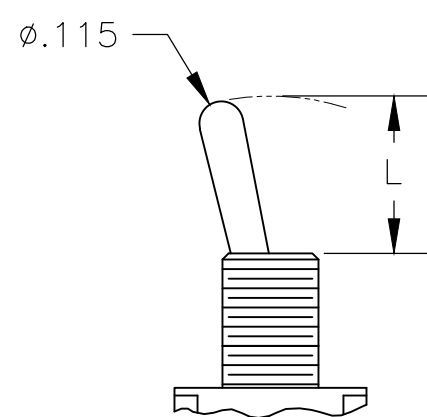
THIS DRAWING IS UNPUBLISHED. RELEASED FOR PUBLICATION. ALL RIGHTS RESERVED.

REVISIONS					
P	LTR	DESCRIPTION	DATE	DWN	APVD
-	-	SEE SHEET 1	-	-	-

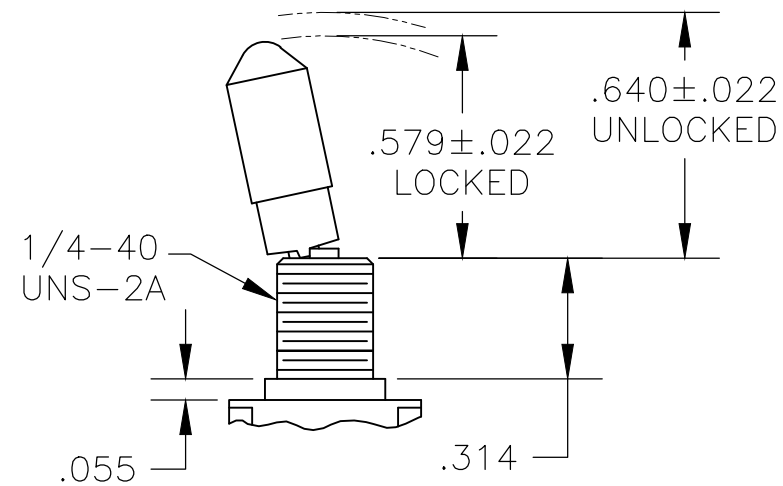
# TOGGLES



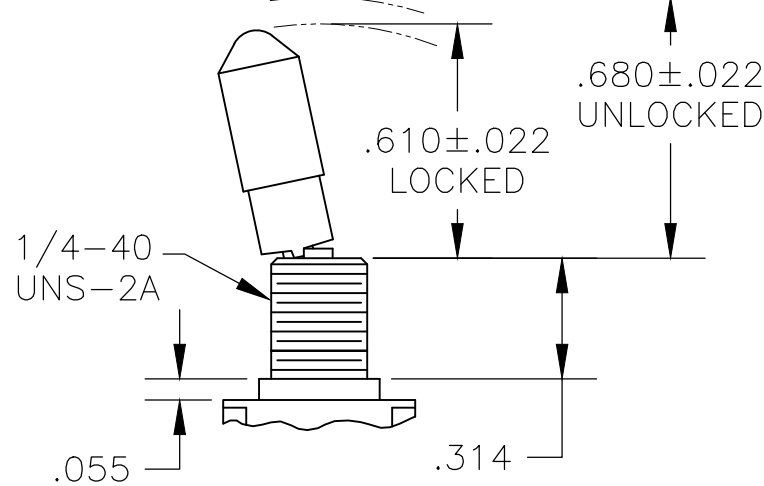
**M** SHORT



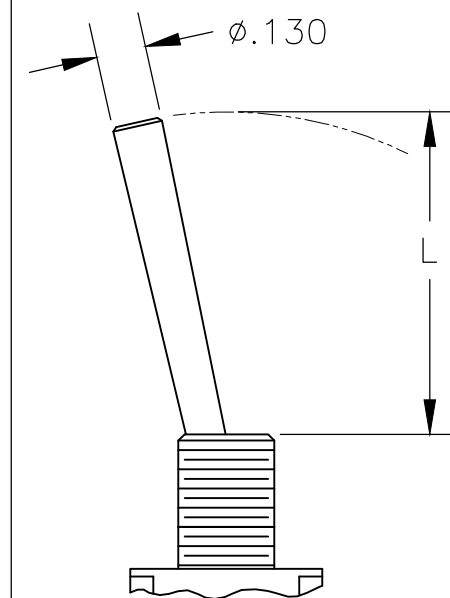
**S** STANDARD



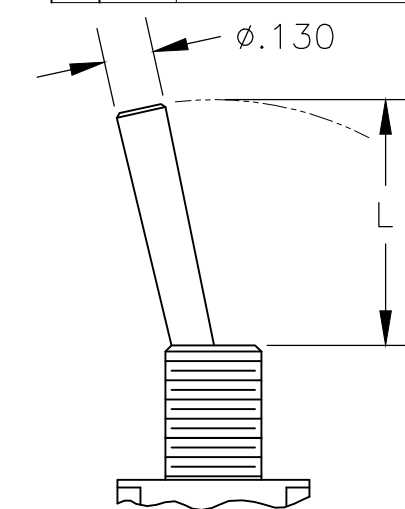
**K** NO BUSHING OPTION NEEDED



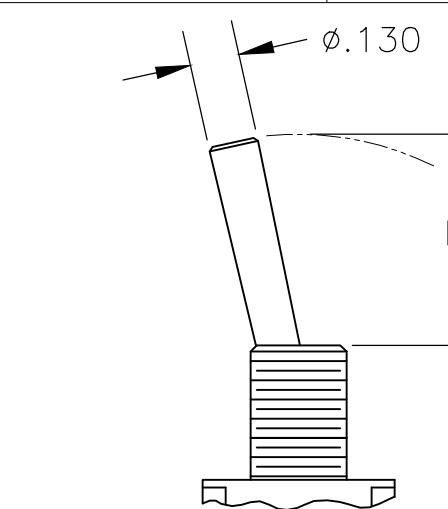
**K1** NO BUSHING OPTION NEEDED



**L** LEVER



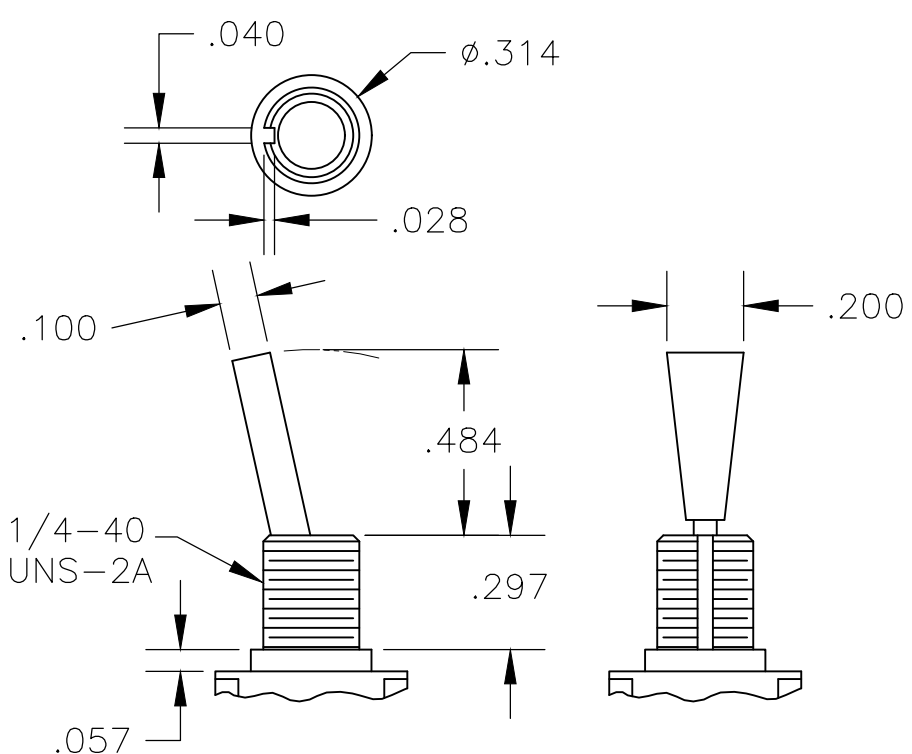
**L1** LEVER



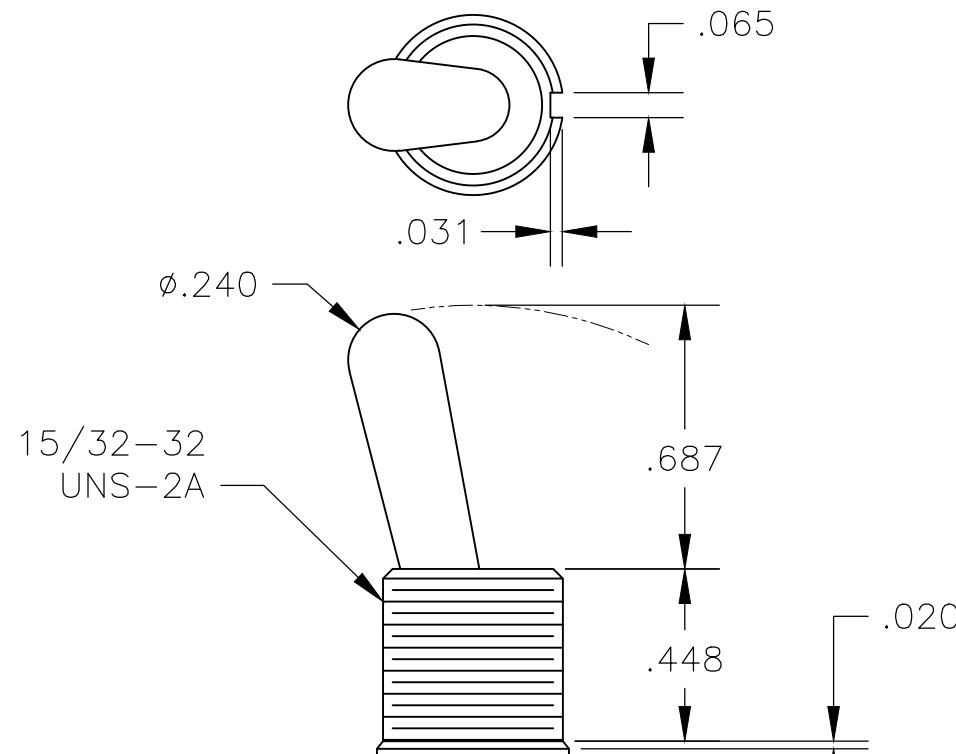
**L2** LEVER

DIM L	BUSHING TYPE	DIM L	BUSHING TYPE
.200	Y, H	.410	Y, H
.270	D, D9	.480	D, D9

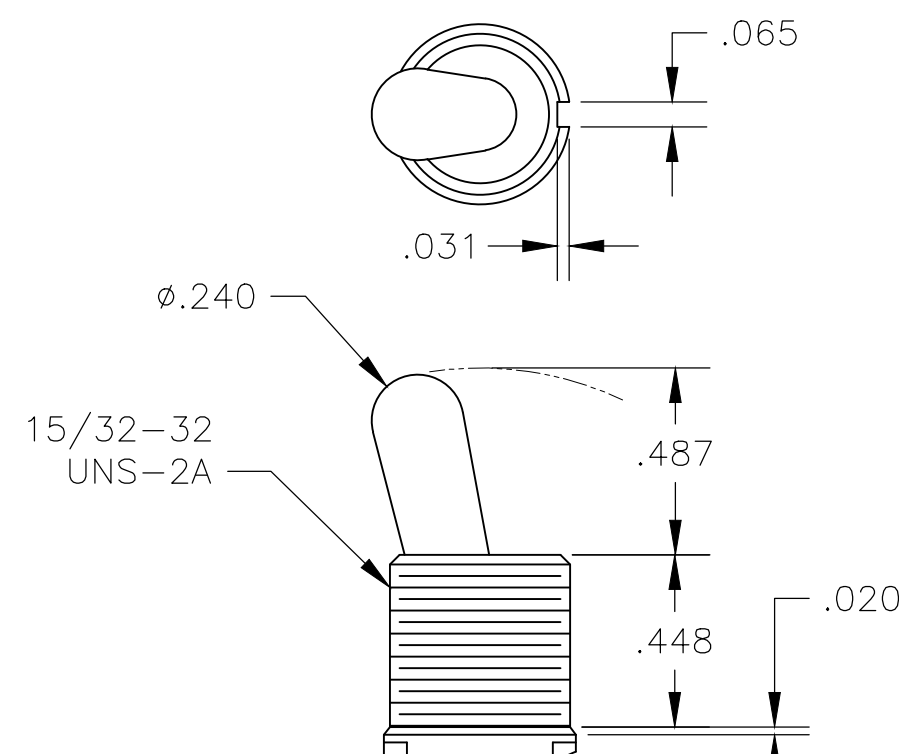
DIM L	BUSHING TYPE	DIM L	BUSHING TYPE	DIM L	BUSHING TYPE
.840	Y, H	.640	Y, H	.550	Y, H
.910	D, D9	.710	D, D9	.620	D, D9



**P3** NO BUSHING OPTION NEEDED

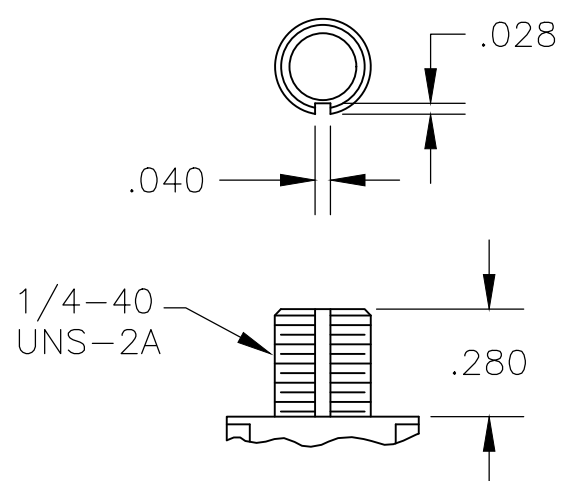


**T** NO BUSHING OPTION NEEDED

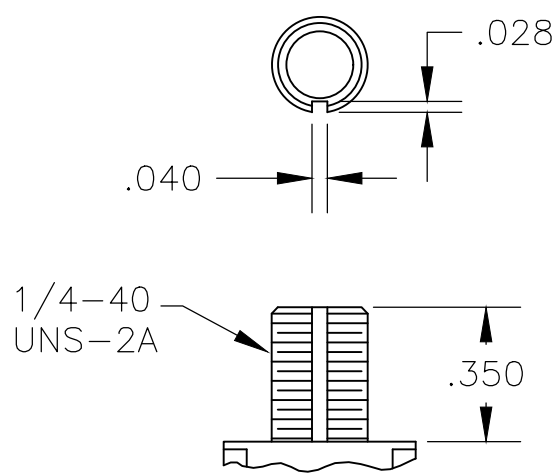


**T1** NO BUSHING OPTION NEEDED

# BUSHINGS

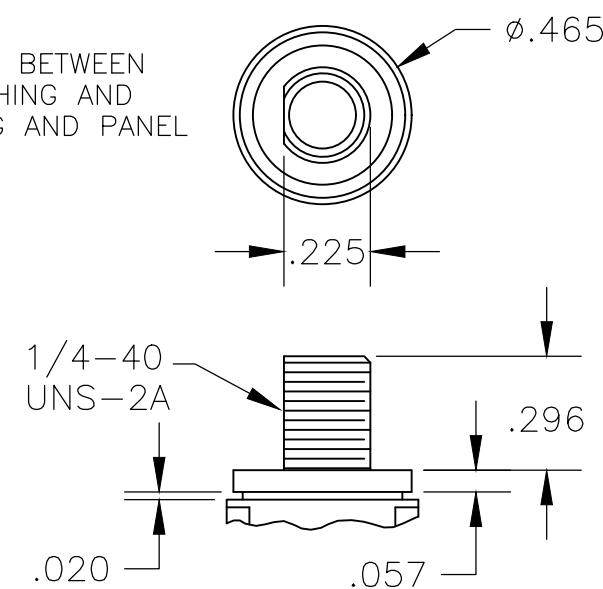


**D** THREADED  
**D9** UNTHREADED

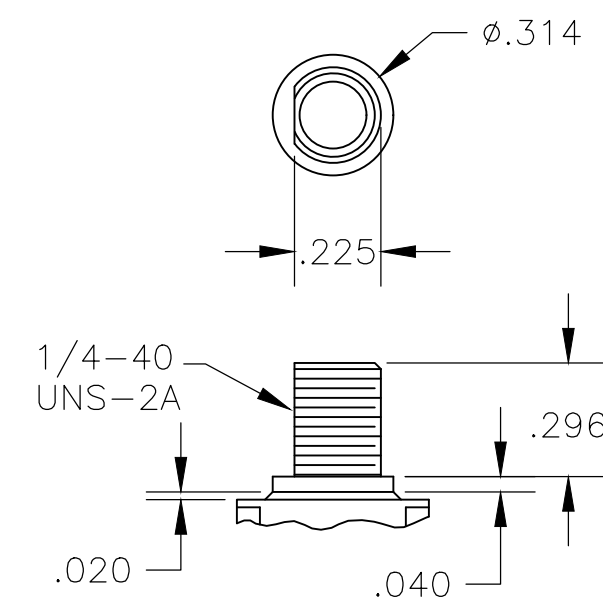


**Y** THREADED  
**Y9** UNTHREADED

CONTAINS O-RING BETWEEN TOGGLE AND BUSHING AND BETWEEN BUSHING AND PANEL



**CW** THREADED SPLASHPROOF



**H** HIGH TORQUE

THIS DRAWING IS A CONTROLLED DOCUMENT.

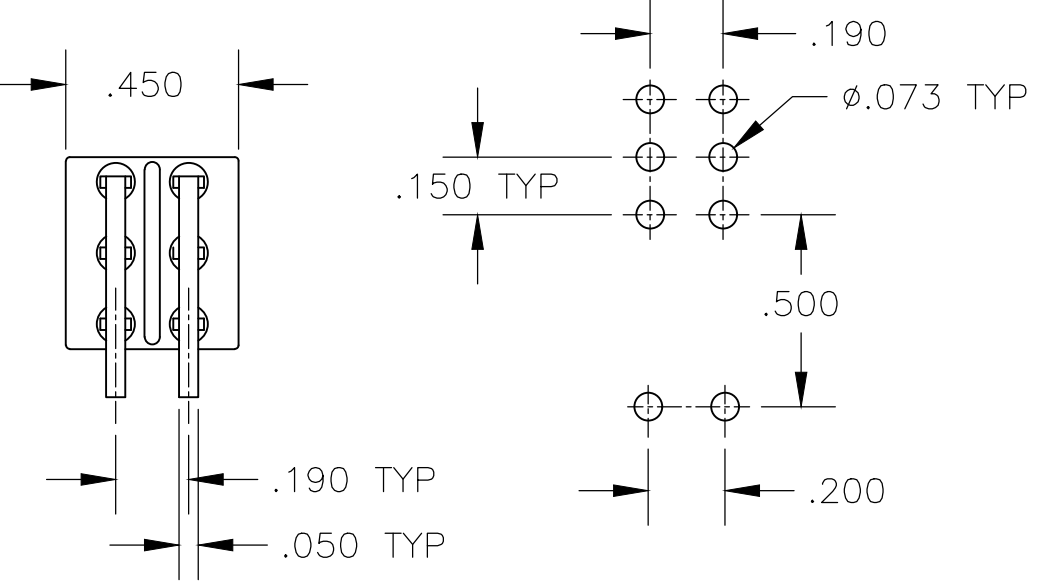
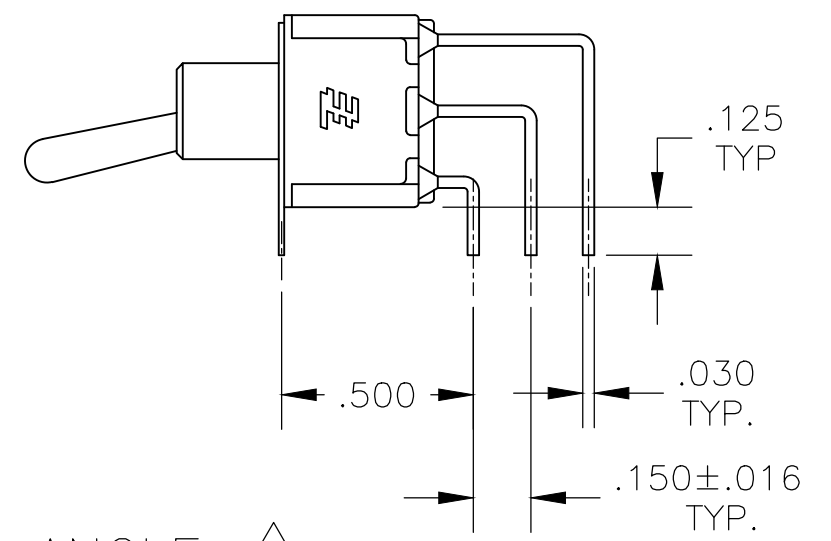
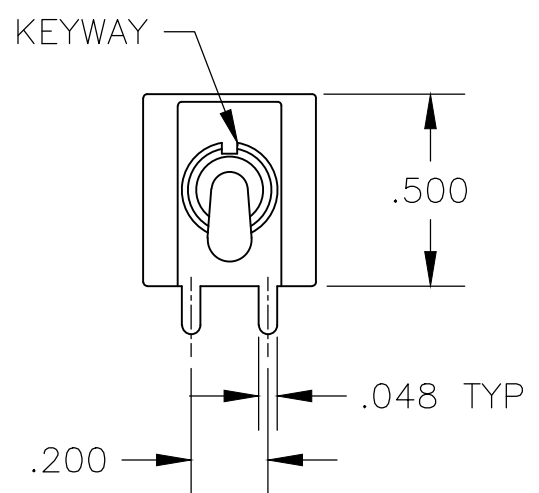
DIMENSIONS:	TOLERANCES UNLESS OTHERWISE SPECIFIED:
INCHES	0 PLC ± -
	1 PLC ± -
	2 PLC ± -
	3 PLC ± .010
	4 PLC ± -
	ANGLES ± 2°
MATERIAL	FINISH
-	-

DWN	M. ZITTO	18MAY05
CHK	M. ZITTO	-
APVD	M. ZITTO	-
PRODUCT SPEC	-	-
APPLICATION SPEC	-	-
WEIGHT	-	-
CUSTOMER DRAWING	-	-

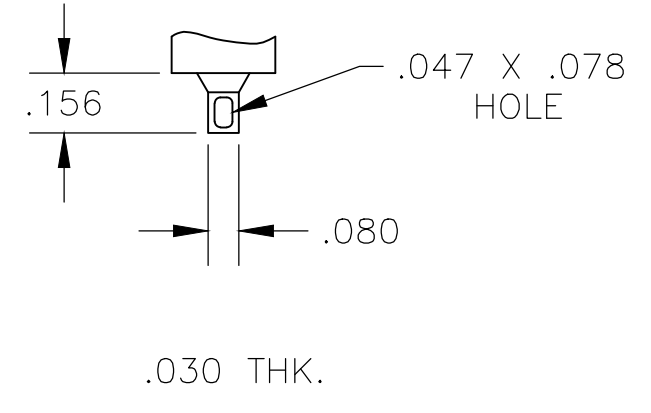
<b>STE</b> TE Connectivity	
NAME: GEMINI A SERIES TOGGLE SWITCH, DOUBLE POLE, 2 POSITION FUNCTIONS (01 & 08)	
SIZE: A2	CAGE CODE: 00779
DRAWING NO: C=1825138	RESTRICTED TO: -
SCALE: 3:1	SHEET: 2 of 4
REV: A6	

THIS DRAWING IS UNPUBLISHED. RELEASED FOR PUBLICATION. ALL RIGHTS RESERVED. © COPYRIGHT - By -

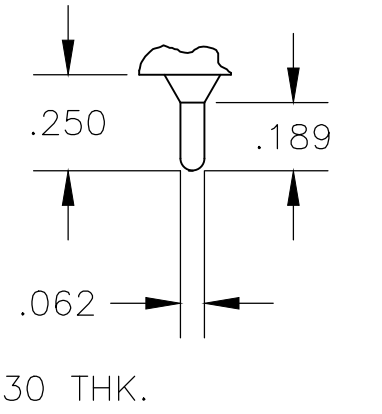
REVISIONS					
P	LTR	DESCRIPTION	DATE	DWN	APVD
-	-	SEE SHEET 1	-	-	-



RECOMMENDED PCB LAYOUT

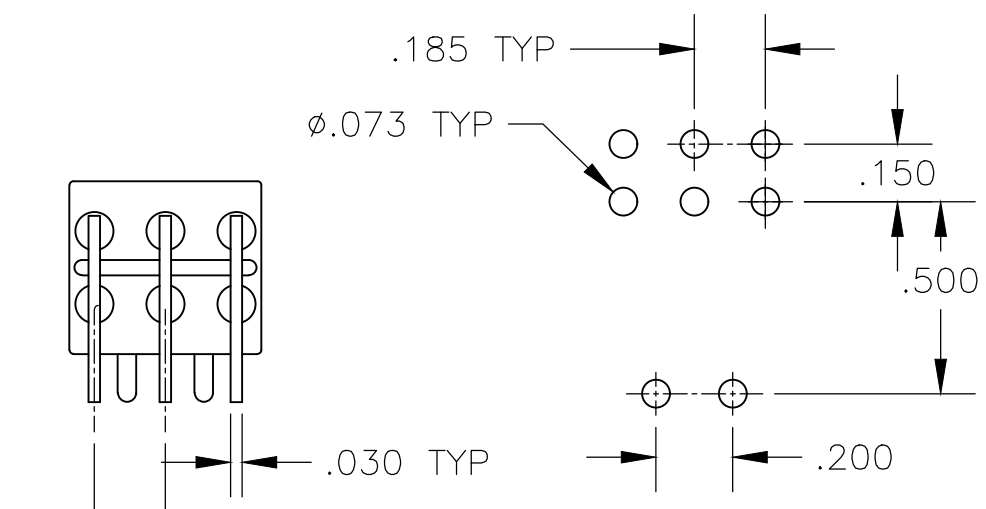
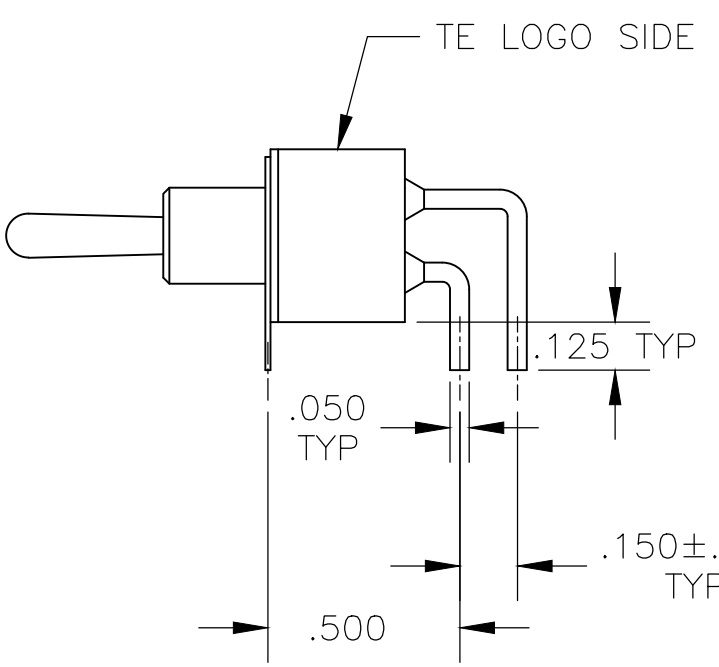
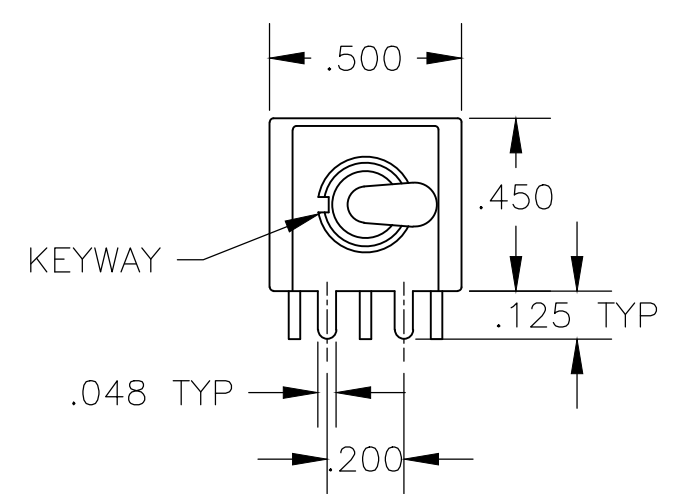


Z WIRE LUG



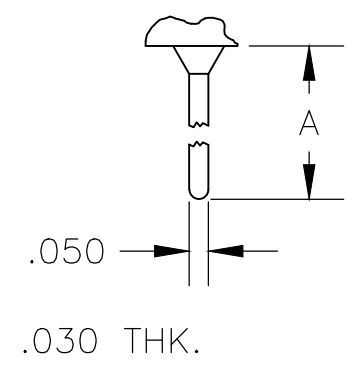
Z3 QUICK CONNECT

AV2 VERTICAL RIGHT ANGLE 5



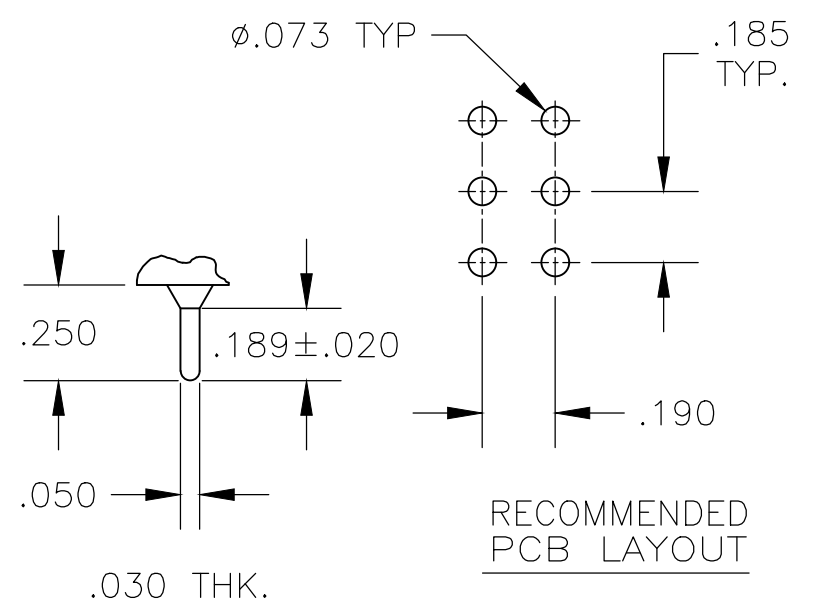
RECOMMENDED PCB LAYOUT

OPTION	DIM A
W	.736
W4	1.062



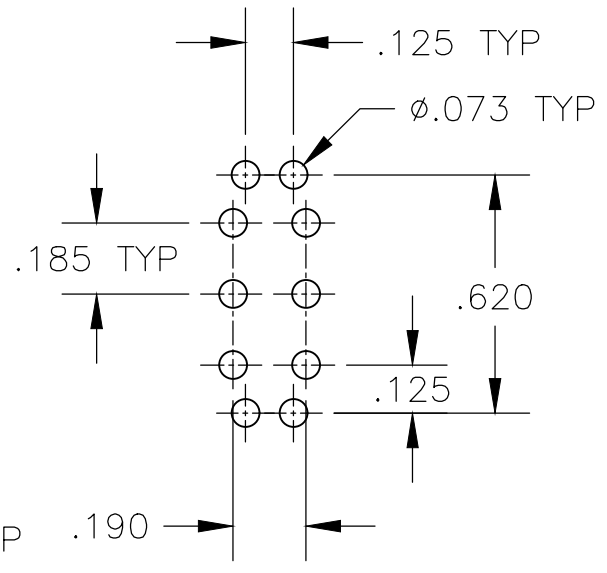
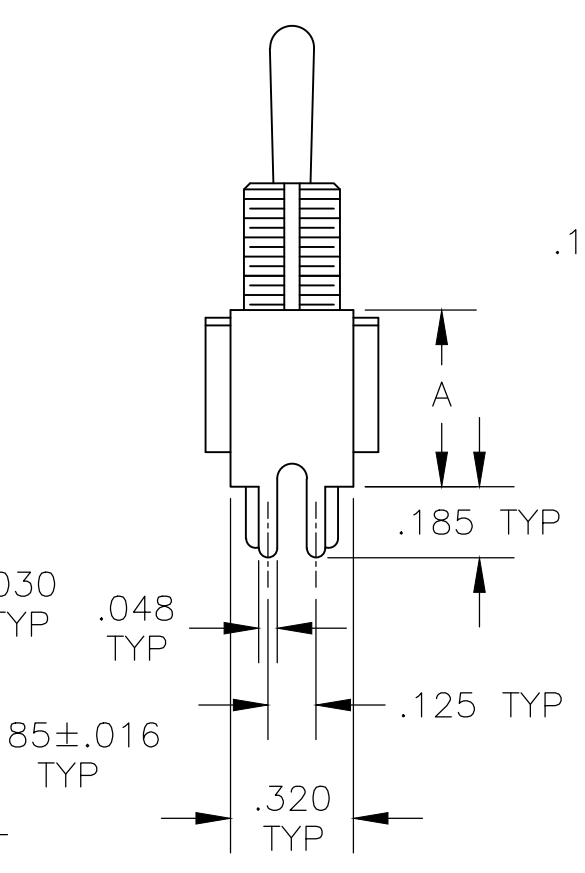
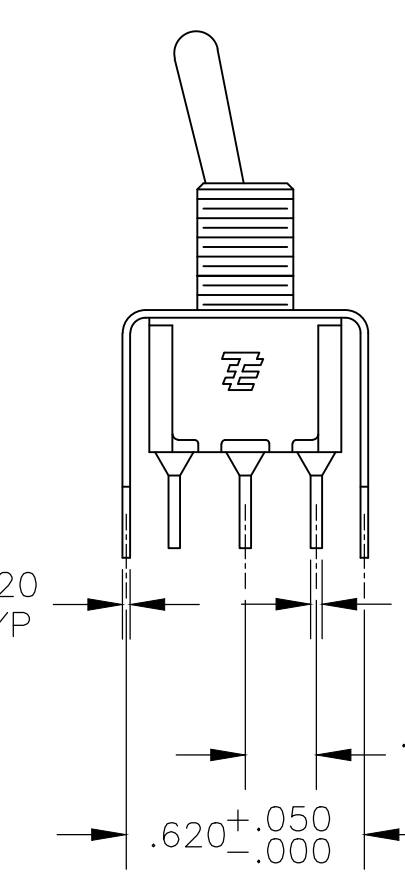
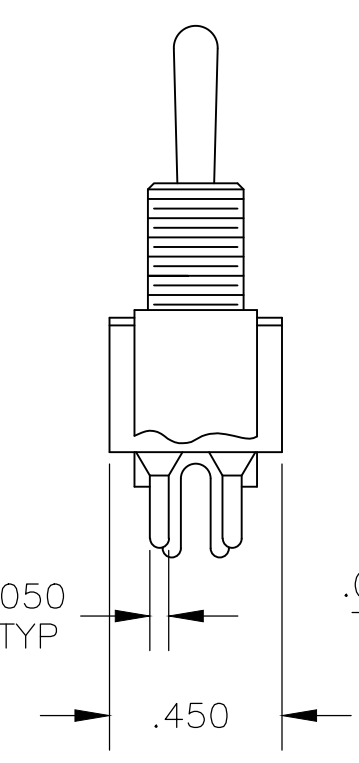
W W4 WIRE WRAP

A RIGHT ANGLE 5



RECOMMENDED PCB LAYOUT

C PRINTED CIRCUIT



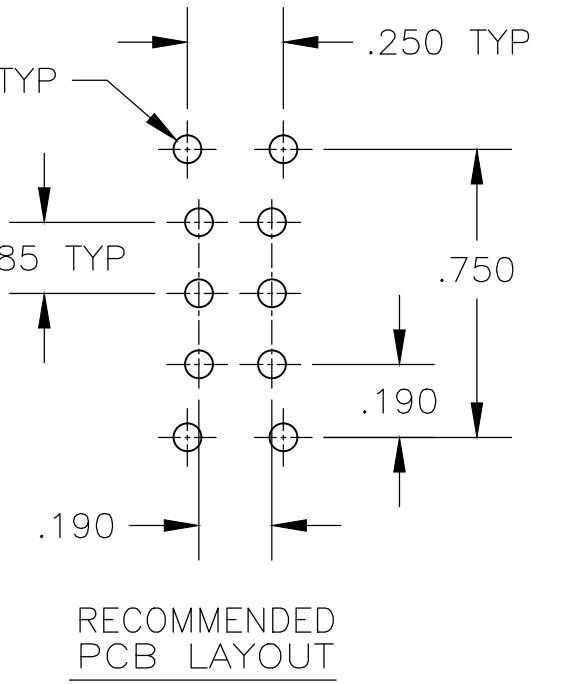
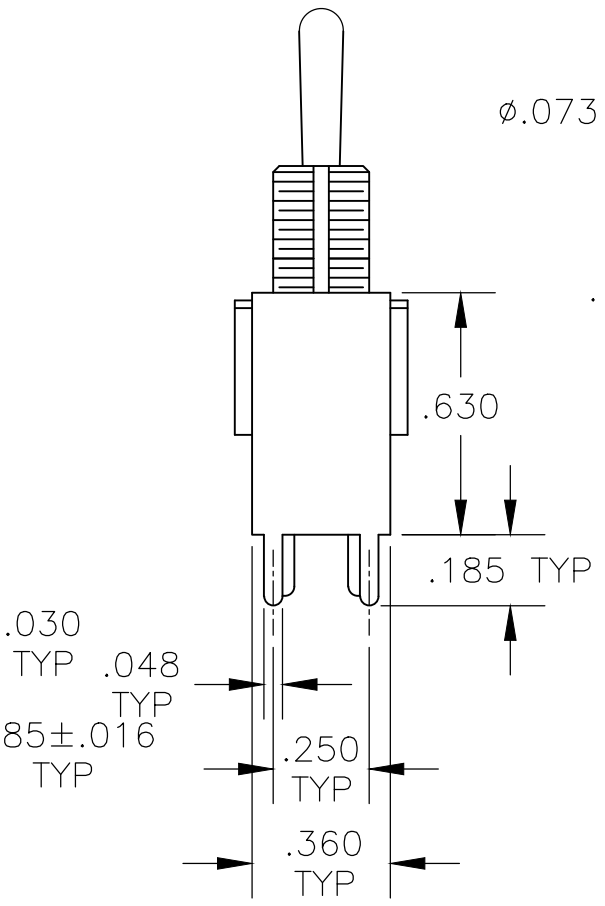
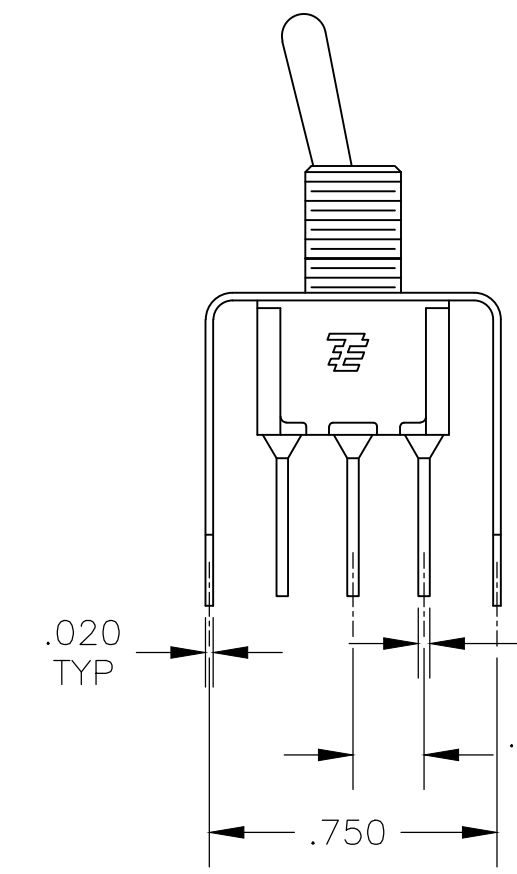
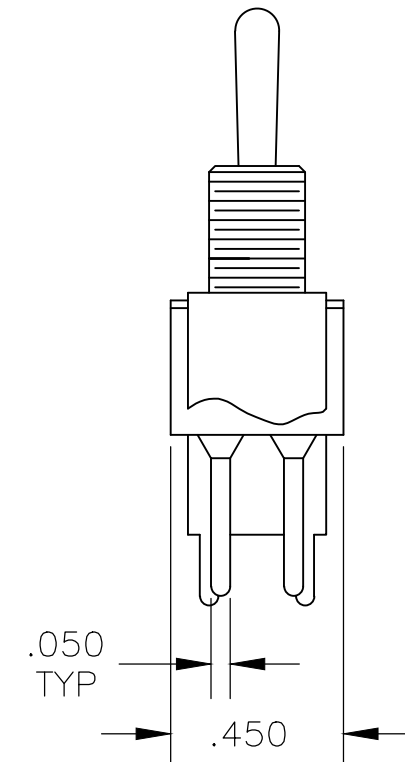
RECOMMENDED PCB LAYOUT

OPTION	DIM A
V30	.460
V40	.630

V30 V40 5 VERTICAL SUPPORT BRACKET

V70

VERTICAL SUPPORT BRACKET



RECOMMENDED PCB LAYOUT

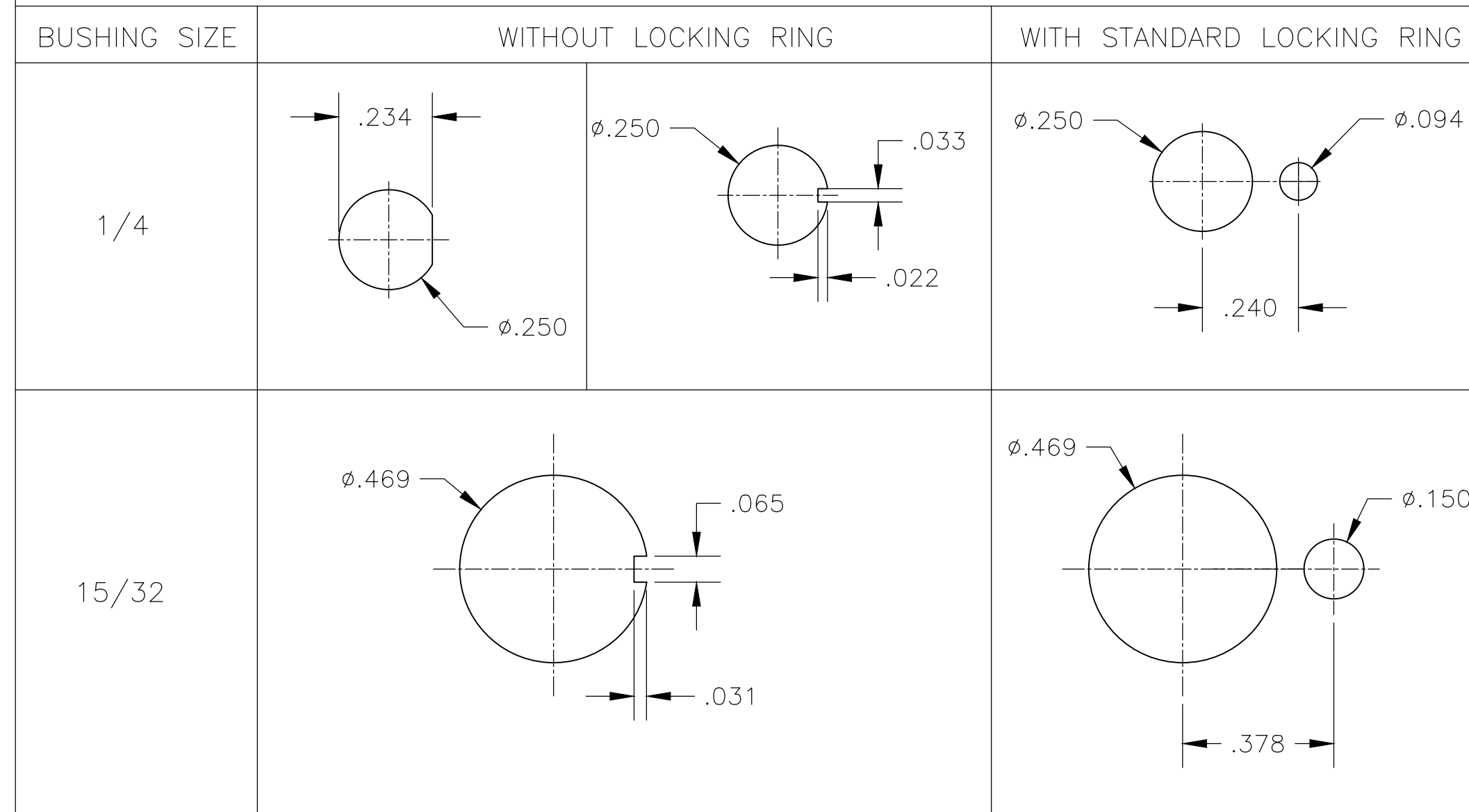
THIS DRAWING IS A CONTROLLED DOCUMENT. 18MAY05

DWN	M. ZITTO	18MAY05		TE Connectivity
CHK	M. ZITTO	-		
APVD	M. ZITTO	-		
PRODUCT SPEC	M. ZITTO	-		
APPLICATION SPEC			NAME	
MATERIAL			GEMINI A SERIES TOGGLE SWITCH, DOUBLE POLE, 2 POSITION FUNCTIONS (01 & 08)	
FINISH			SIZE	CAGE CODE
WEIGHT			0	A2 00779
CUSTOMER DRAWING			SCALE	3:1
SHEET			3	OF 4
REV			A6	

THIS DRAWING IS UNPUBLISHED. RELEASED FOR PUBLICATION  
 © COPYRIGHT - By - ALL RIGHTS RESERVED.

REVISIONS				
P	LTR	DESCRIPTION	DATE	APVD
-	-	SEE SHEET 1	-	-

### RECOMMENDED PANEL CUT-OUTS



Alco P/N	P/N	
A201KAB04	1825138-1	
A201KD9AQ04	1825138-2	OBSOLETE
A201KZQ04	1825138-3	
not assigned	1825138-4	OBSOLETE
A201L1D9V30Q04	1825138-5	
A201MD9AB04	1825138-6	
A201MD9AQ04	1825138-7	
A201MD9AV2B04	1825138-8	
A201MD9AV2Q04	1825138-9	
A201MDAQ04	1-1825138-0	OBSOLETE
not assigned	1-1825138-1	
A201MYAQ04	1-1825138-2	OBSOLETE
A201MYCB04	1-1825138-3	
A201MYZQ04	1-1825138-4	
A201P3ZQ04	1-1825138-5	
A201SCWZB04	1-1825138-6	
A201SD9AQ04	1-1825138-7	
A201SD9AV2Q04	1-1825138-8	
A201SDCB04	1-1825138-9	OBSOLETE
A201SDZQ04	2-1825138-0	
A201SY9AB04	2-1825138-1	OBSOLETE
A201SYAB04	2-1825138-2	
A201SYAQ04	2-1825138-3	
A201SYCB04	2-1825138-4	
A201SYCQ04	2-1825138-5	
A201SYWQ04	2-1825138-6	
A201SYZB04	2-1825138-7	
A201SYZQ04	2-1825138-8	
A201T1ZQ04	2-1825138-9	
not assigned	3-1825138-0	OBSOLETE
A201TZQ04	3-1825138-1	
A208KZG04	3-1825138-2	OBSOLETE
A208P3ZQ04	3-1825138-3	
A208SD9AQ04	3-1825138-4	OBSOLETE
A208SD9AV2Q04	3-1825138-5	
A208SYCB04	3-1825138-6	
A208SYCQ04	3-1825138-7	
A208SYZQ04	3-1825138-8	
A208T1ZQ04	3-1825138-9	OBSOLETE
A208TZQ04	4-1825138-0	
A208SDCQ04	4-1825138-1	OBSOLETE
A201P3V30G04	4-1825138-2	
A203MD9AQ-UL	4-1825138-3	OBSOLETE
A201MCWCB04	4-1825138-4	
A201SCWCB04	4-1825138-5	

### MATERIALS CHART

COMPONENT NAME	BASE MATERIAL	FINISH
CASE	DAP, RED, UL94 V-0	
FRAME	STAINLESS STEEL	
B TERMINALS & CONTACTS	COPPER	GOLD OVER NICKEL
G TERMINALS & CONTACTS	COPPER	GOLD OVER SILVER
Q TERMINALS & CONTACTS	COPPER	.000400 SILVER
ACTUATOR	PHENOLIC, BLACK, UL94 V-1	
LEVER	BRASS	CHROME
BUSHING	BRASS	NICKEL
SPRING	MUSIC WIRE	
SUPPORT BRACKET	BRASS	TIN
PIVOT PIN	STEEL	NICKEL
LOCK WASHER	STAINLESS STEEL	
LOCKING RING	STAINLESS STEEL	
NUTS	C3604BD BRASS	NICKEL
TERMINAL SEAL	EPOXY	

THIS DRAWING IS A CONTROLLED DOCUMENT.		DWN M. ZITTO 18MAY05	 TE Connectivity
DIMENSIONS: INCHES		CHK M. ZITTO	
TOLERANCES UNLESS OTHERWISE SPECIFIED:		APVD M. ZITTO	NAME GEMINI A SERIES TOGGLE SWITCH, DOUBLE POLE, 2 POSITION FUNCTIONS (01 & 08)
0 PLC ± - 1 PLC ± - 2 PLC ± - 3 PLC ± .010 4 PLC ± - ANGLES ± 2°		PRODUCT SPEC	
MATERIAL	FINISH	APPLICATION SPEC	SIZE A2
		WEIGHT	CAGE CODE 00779
		CUSTOMER DRAWING	DRAWING NO 1825138
		SCALE 3:1	SHEET 4 of 4
		REV A6	RESTRICTED TO

## X-ON Electronics

Largest Supplier of Electrical and Electronic Components

*Click to view similar products for [Toggle Switches](#) category:*

*Click to view products by [TE Connectivity](#) manufacturer:*

Other Similar products are found below :

[8928K478](#) [8A1-C-222](#) [020017-13](#) [60012L](#) [6006L](#) [CS115W](#) [CS120W](#) [6663](#) [7101SPDV30BE](#) [7103SDV30BE](#) [7105D](#) [7108P3YAV2BE](#)  
[71YY50282](#) [7300K36](#) [7301K38](#) [7306K36](#) [7310K36](#) [7506K4](#) [7592K6](#) [7660K12](#) [7691K14](#) [7700K1](#) [8391K108](#) [8396K108](#) [8811K17](#)  
[8824K14](#) [8828K13](#) [8835K3](#) [8858K44](#) [PS83-121G](#) [1-1825192-0](#) [A201SCWZB04](#) [A207SYCB04](#) [A208J61ZQ0004](#) [A221T1TCQ](#)  
[A323S1CWZQ](#) [A423S1CWZG-M8](#) [1201W](#) [12156AX408](#) [12147AGKX679](#) [12246X778](#) [12TW49-3D](#) [130312](#) [13037L](#) [13001X](#)  
[AE101MD1W4B04](#) [AE208SD1W4B04](#) [MS24659-22D](#) [MS27407-5](#) [1520230-9](#)