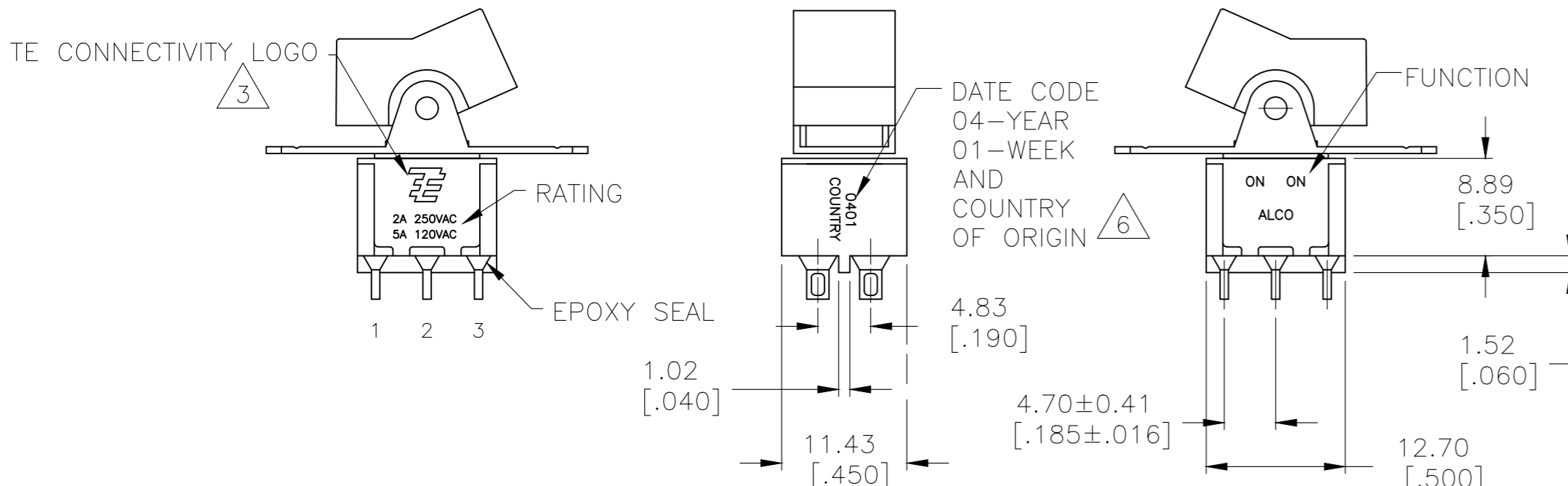


THIS DRAWING IS UNPUBLISHED. RELEASED FOR PUBLICATION. ALL RIGHTS RESERVED.

REVISIONS				
P	LTR	DESCRIPTION	DATE	APVD
	A8	REVISED PER ECO-17-001761	10MAY2017	RK AS



- ALL MATERIALS AND FINISHES SHALL COMPLY WITH EU DIRECTIVE 2002/95/EC OF 27JAN2003 (ROHS).
- G CONTACT OPTION CAN BE USED FOR SIGNAL OR POWER LEVEL SWITCHING. IF SWITCH IS USED AT LEVELS EXCEEDING .4VA @ 20V AC/DC, SWITCH IS RENDERED FOR POWER SWITCHING ONLY DUE TO ARC REMOVAL OF GOLD PLATING. RATING MARKED ON THE SWITCH IS 2A 250VAC, 5A 120VAC.
- TE CONNECTIVITY LOGO PER PER TEC-202-36.
- SP3T FUNCTION ACHIEVED WITH FUNCTIONS 11, 13, & 15 BY CUSTOMER APPLIED JUMPER BETWEEN TERMINALS 3 & 5.
- DATE CODE AND COUNTRY OF ORIGIN MAY APPEAR ON EITHER SIDE OF SWITCH.
- PANEL MOUNT BRACKET SUPPLIED WITH TERMINALS W, Z AND Z3 ONLY.
- ALL LOGO, RATING, DATE CODE, AND FUNCTION MARKINGS TO BE LASER MARKED.

FUNCTION CHART

FUNCTION			
01	ON	NONE	ON
03	ON	OFF	ON
05	(ON)	OFF	(ON)
07	ON	OFF	(ON)
08	ON	NONE	(ON)
TERMINALS CONNECTED	2-3, 5-6	---	1-2, 4-5
11	ON	ON	ON
13	ON	ON	(ON)
15	(ON)	ON	(ON)
TERMINALS CONNECTED	2-3, 5-6	2-3, 4-5	1-2, 4-5
SP3T SCHEMATIC (11, 13 & 15 ONLY) NOTE 5			
	IN 2, OUT 6	IN 2, OUT 4	IN 2, OUT 1

NONE: NO MECHANICAL POSITION
 OFF: MECHANICAL POSITION WITH NO ELECTRICAL CONNECTION
 (ON): MOMENTARY ACTION

SPECIFICATIONS

RATING, B CONTACTS	.4VA MAX @20V MAX. AC OR DC
RATING, G CONTACTS-SEE NOTE 2	.4VA MAX @20V MAX. AC OR DC OR 5A @120 VAC OR 28 VDC (RESISTIVE)
	2A @250 VAC (RESISTIVE)
RATING, Q CONTACTS	5A @120 VAC OR 28 VDC (RESISTIVE)
	2A @250 VAC (RESISTIVE)
ELECTRICAL LIFE	6,000 CYCLES AT RATED LOAD
CONTACT RESISTANCE	10 MILLIOHMS MAX INITIAL @ 2-4VDC, 100MA
INSULATION RESISTANCE	1,000 MEGOHMS MIN
DIELECTRIC WITHSTANDING VOLTAGE	1,000 V RMS AT SEA LEVEL
OPERATING TEMPRATURE	-30C TO 85C

PART NUMBER SEQUENCE

MODEL	FUNCTION	ACTUATOR	TERMINAL	CONTACT	ACTUATOR COLOR	FRAME COLOR	ROHS
A2							04
	01	J1	A	B	0 BLACK (STD)	0 BLACK (STD)	
	03	J3	AV2	G	1 BROWN	1 BROWN	
	05	J50	C	Q	2 RED	2 RED	
	07	J51	V3		3 ORANGE	3 ORANGE	
	08	J52	V4		4 YELLOW	4 YELLOW	
	11	J2	V7		5 GREEN	5 GREEN	
	13	J4	W		6 BLUE	6 BLUE	
	15	J60	W4		8 GRAY	8 GRAY	
		J61	Z		9 WHITE	9 WHITE	
		J62	Z3				

THIS DRAWING IS A CONTROLLED DOCUMENT.

DWN	M.BINNER	06JAN05
CHK	M.ZITTO	06JAN05
APVD	M.ZITTO	06JAN05

TE Connectivity

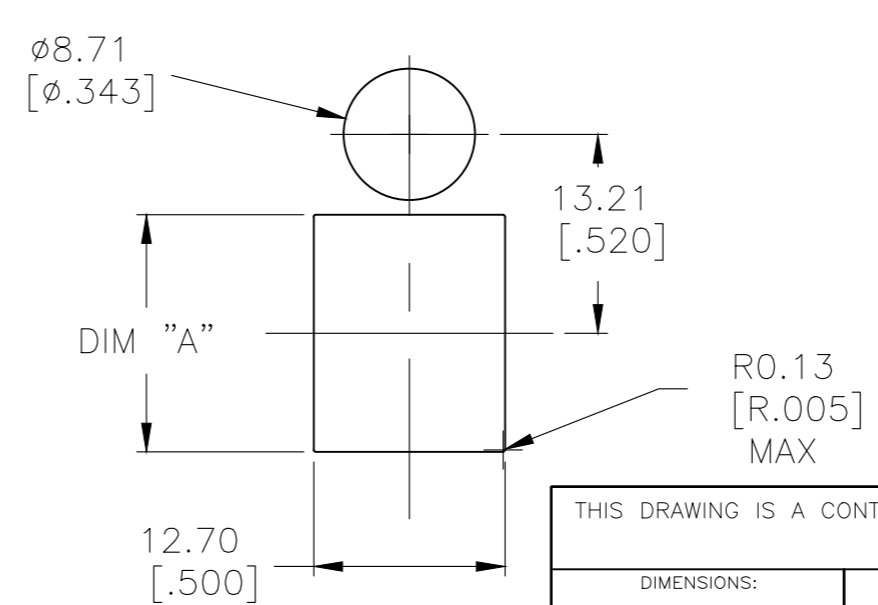
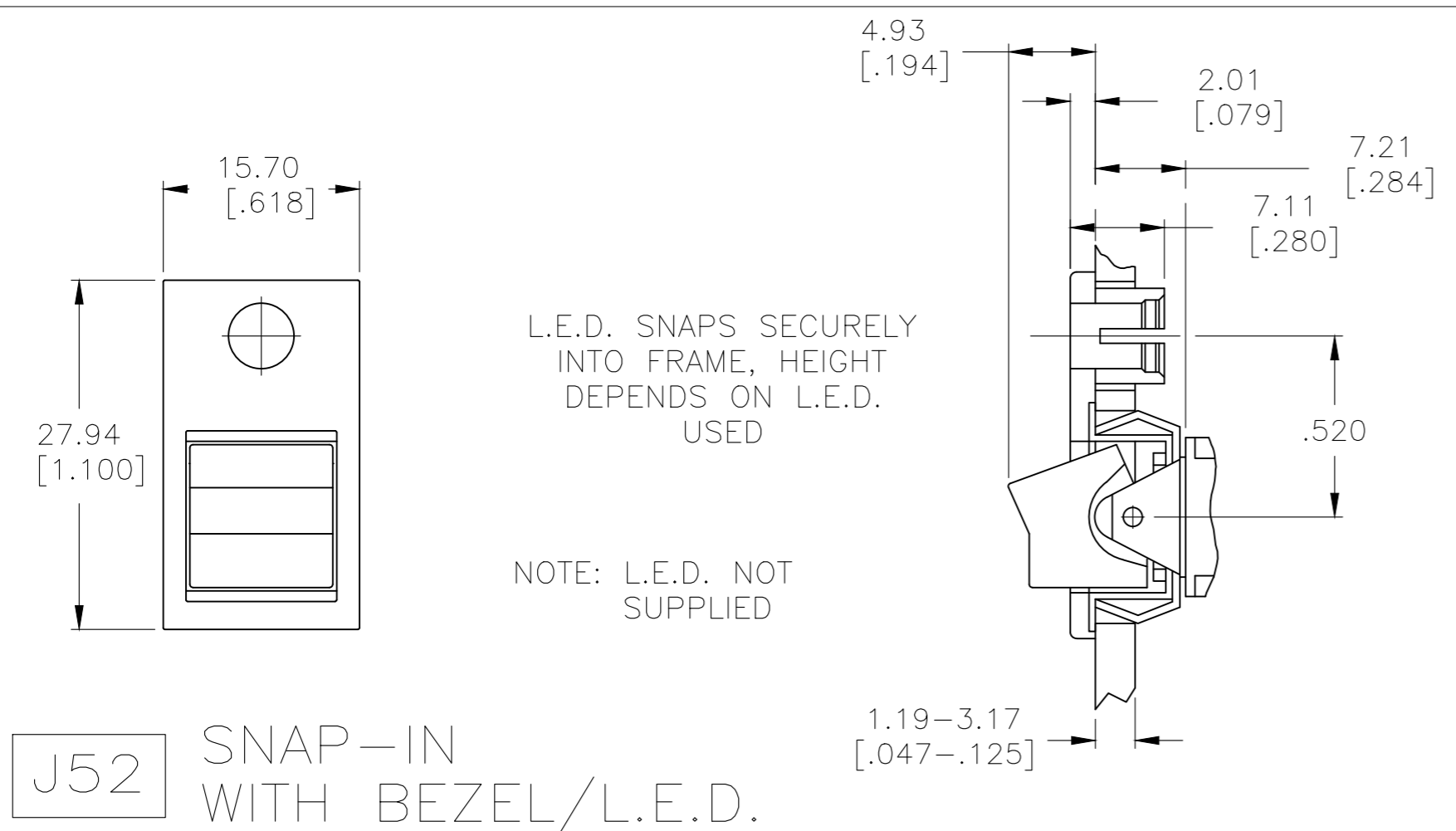
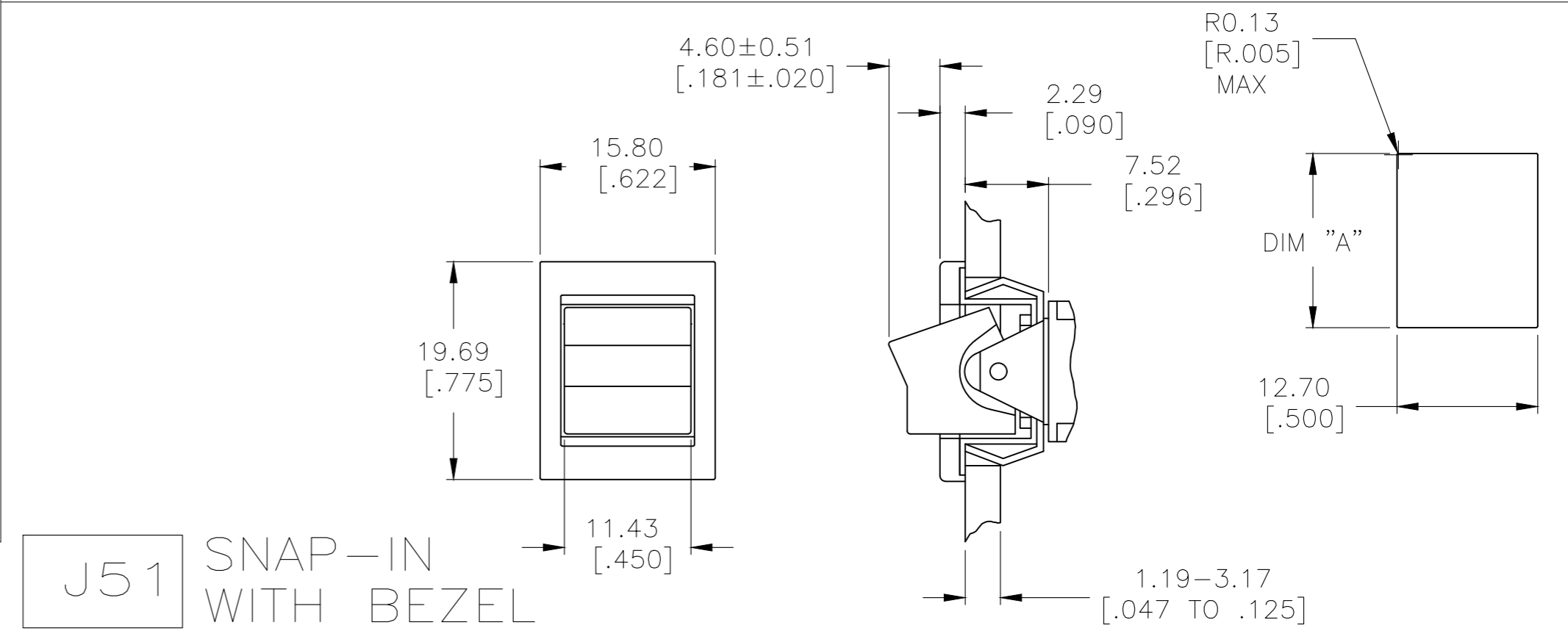
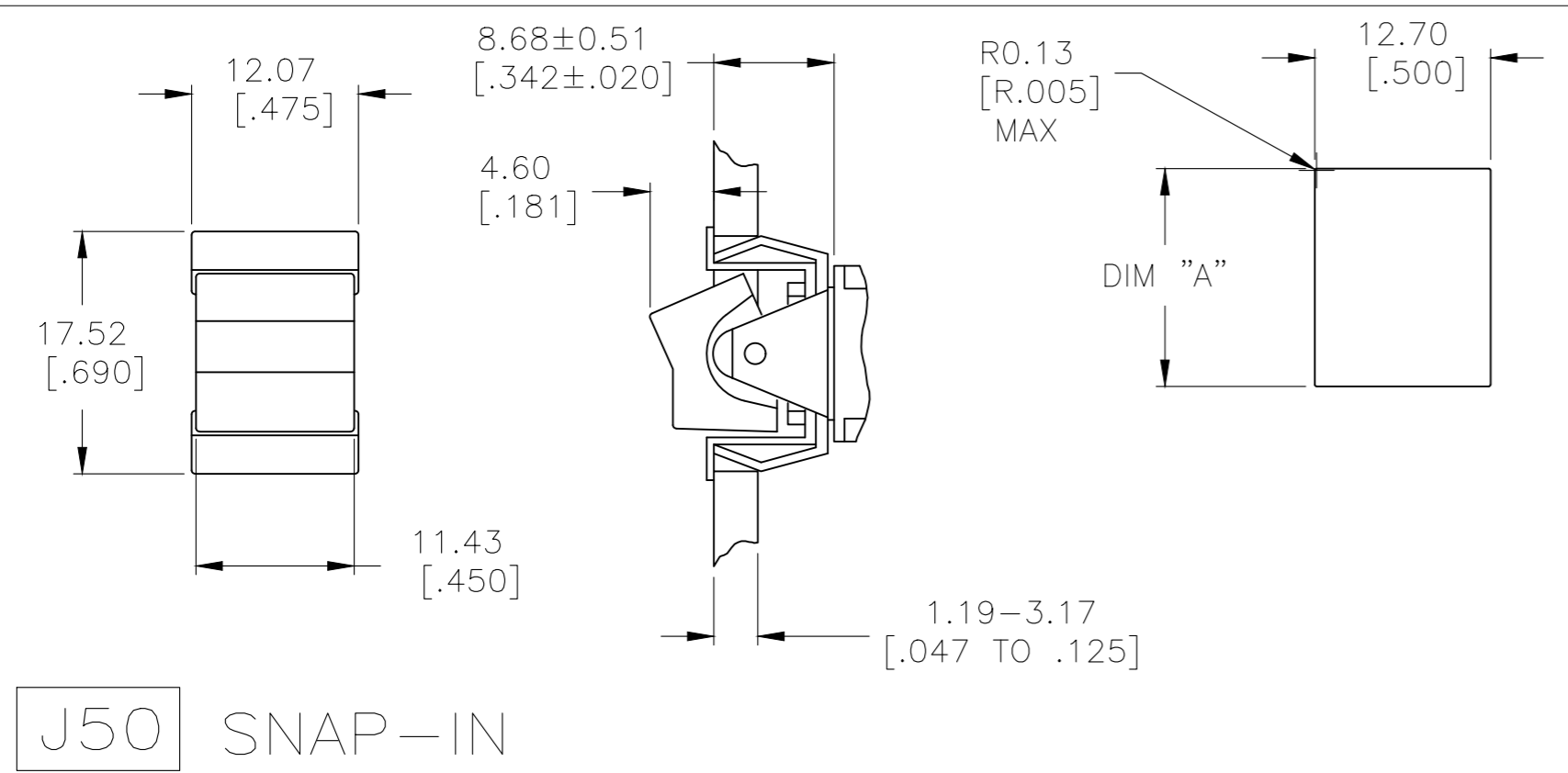
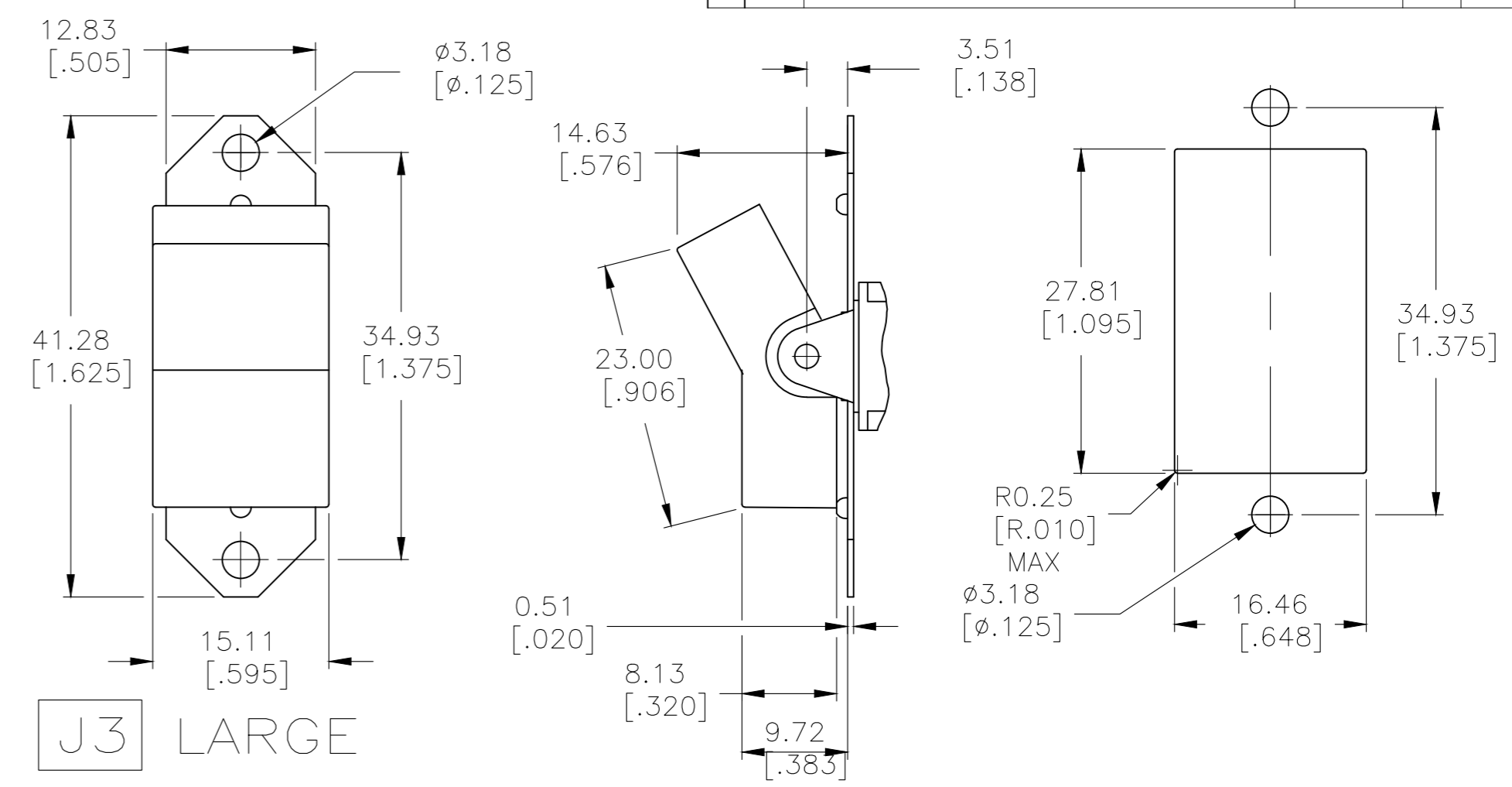
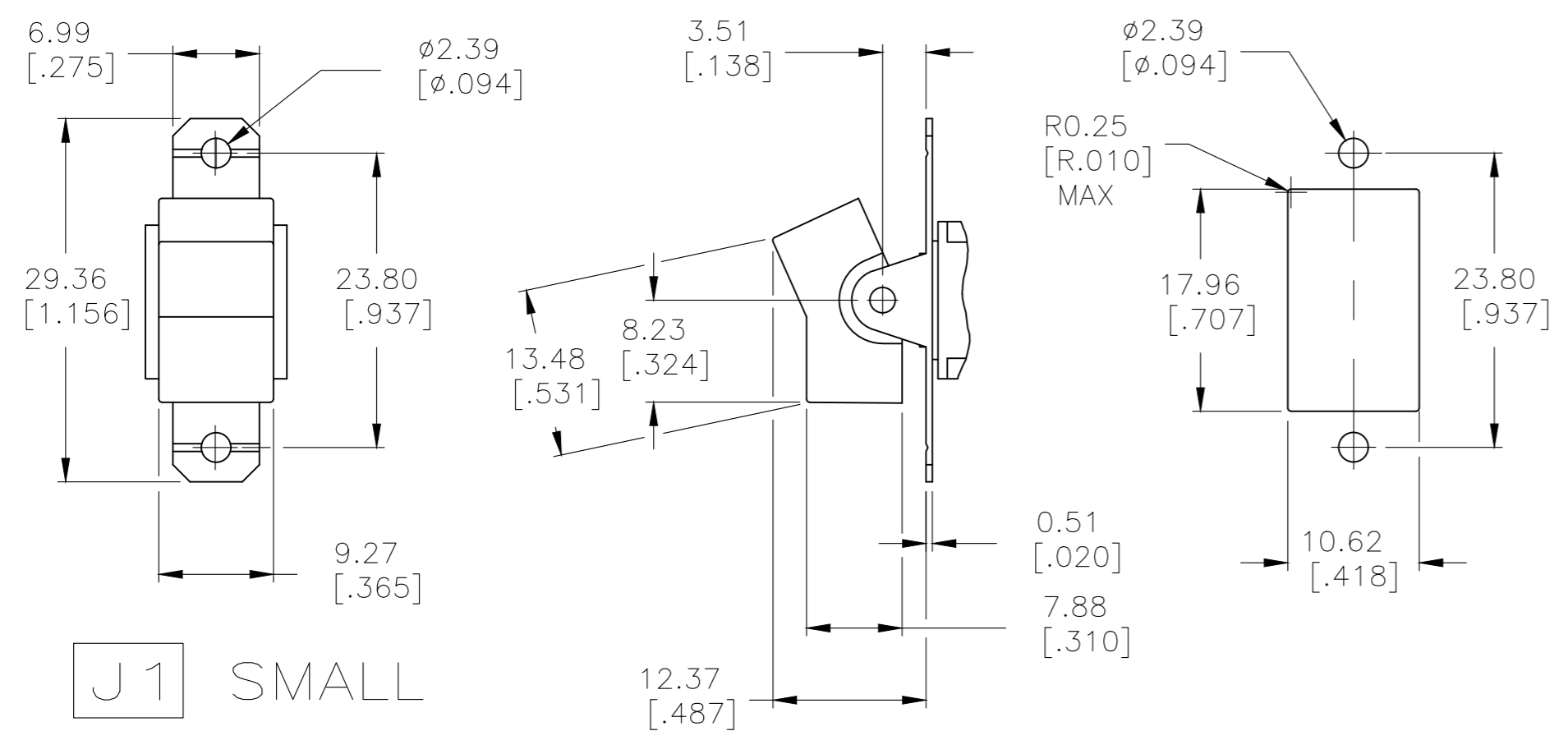
GEMINI A SERIES ROCKER SWITCH DOUBLE POLE

SIZE	CAGE CODE	DRAWING NO	RESTRICTED TO
A2	00779	C-1571987	-

CUSTOMER DRAWING SCALE 2:1 SHEET 1 of 5 REV A8

THIS DRAWING IS UNPUBLISHED. RELEASED FOR PUBLICATION
 © COPYRIGHT - By - ALL RIGHTS RESERVED.

REVISIONS					
P	LTR	DESCRIPTION	DATE	DWN	APVD
-	-	SEE SHEET 1	-	-	-

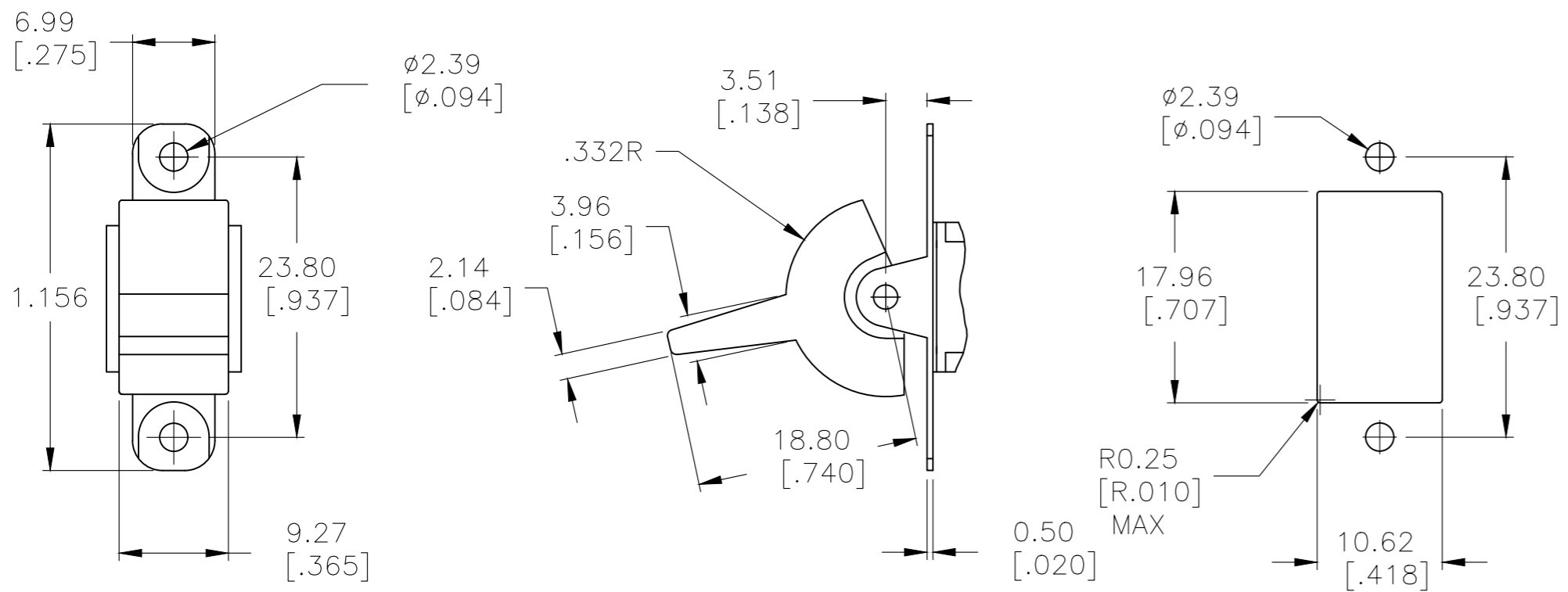


1.52-3.17 [.060-.125]	15.75-15.87 [.620-.625]
1.19-1.50 [.047-.059]	15.72 [.619]
PANEL THICKNESS	DIM "A"

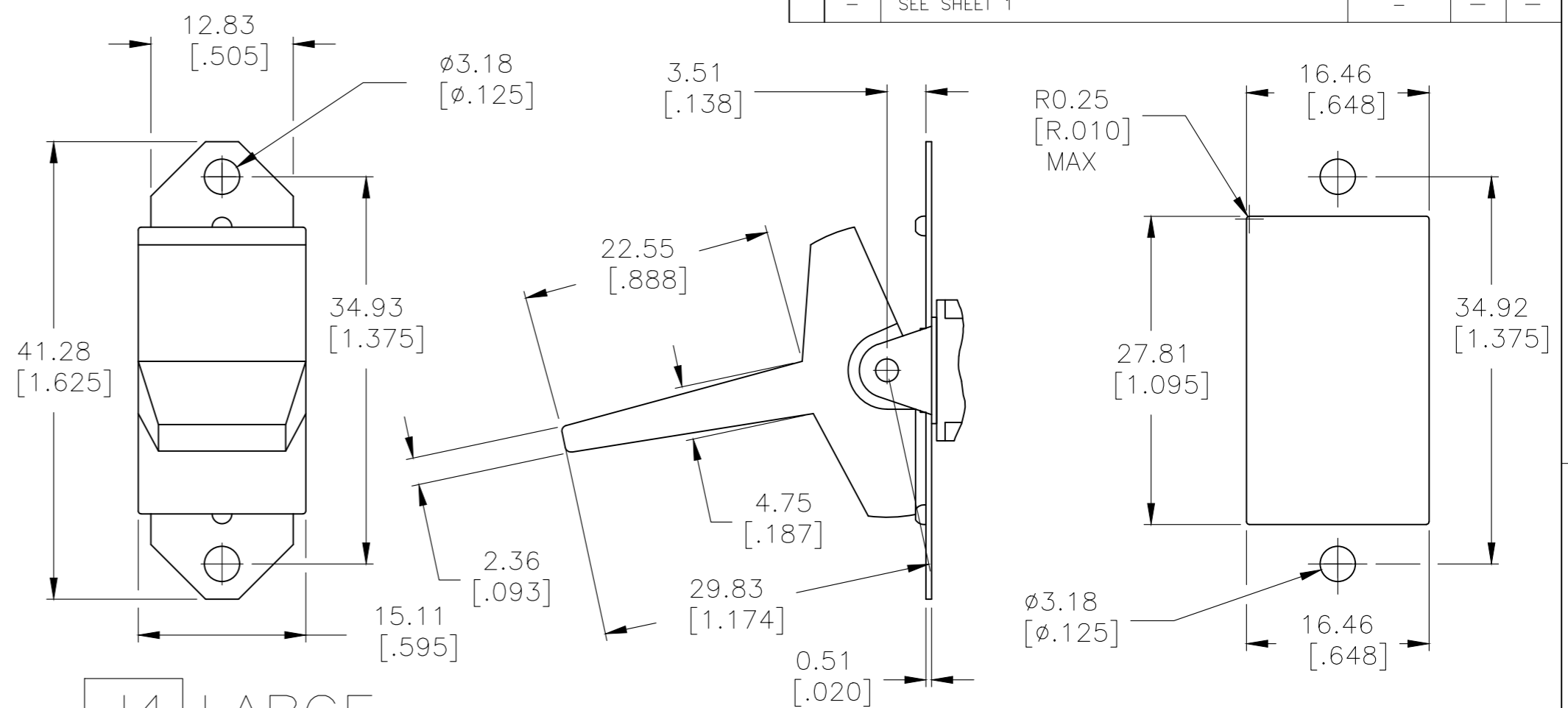
THIS DRAWING IS A CONTROLLED DOCUMENT.		DWN M.BINNER 06JAN05	STE TE Connectivity
DIMENSIONS: mm [INCHES]		CHK M.ZITTO 06JAN05	
TOLERANCES UNLESS OTHERWISE SPECIFIED:		APVD M.ZITTO 06JAN05	NAME GEMINI A SERIES ROCKER SWITCH DOUBLE POLE
0 PLC ± -		PRODUCT SPEC -	
1 PLC ± -		APPLICATION SPEC -	SIZE A2
2 PLC ± -		WEIGHT -	CAGE CODE 00779
3 PLC ± .010		CUSTOMER DRAWING	DRAWING NO C-1571987
4 PLC ± -		SCALE 2:1	SHEET 2 of 5
ANGLES ± 4°		REV A8	RESTRICTED TO -
FINISH -			

THIS DRAWING IS UNPUBLISHED.
 RELEASED FOR PUBLICATION
 © COPYRIGHT - By - ALL RIGHTS RESERVED.

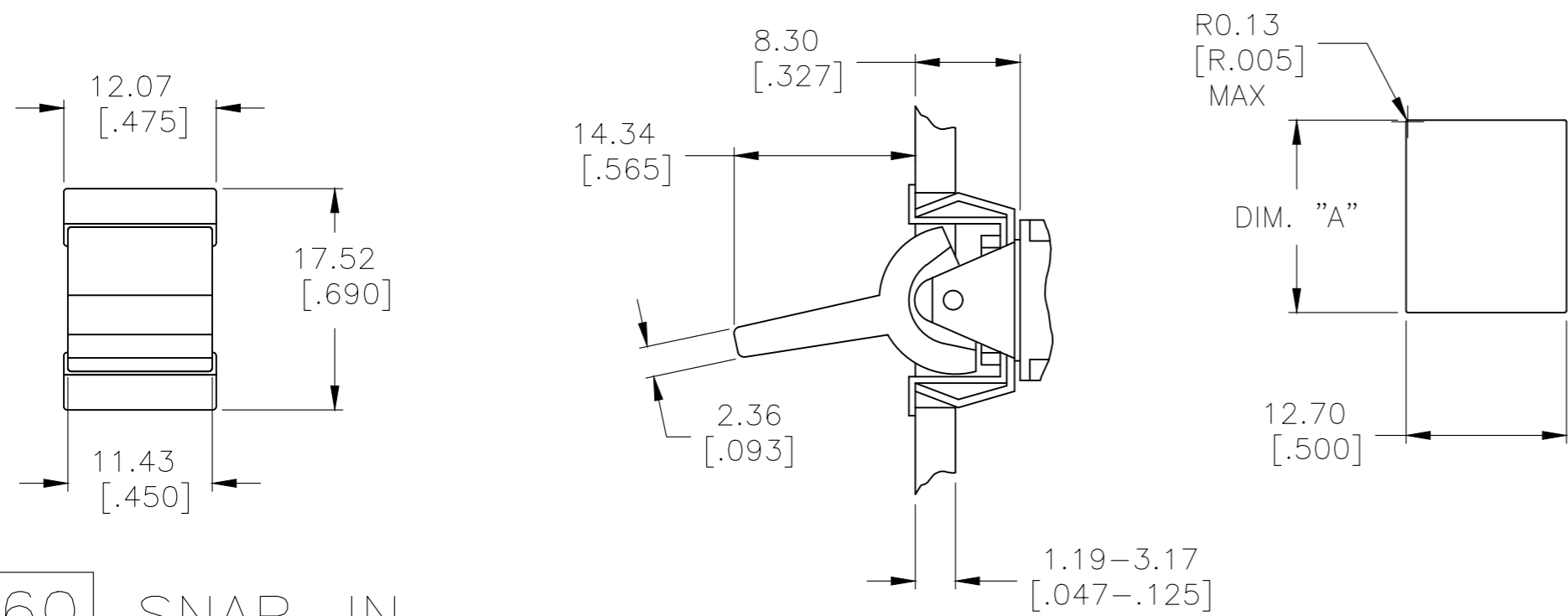
REVISIONS				
P	LTR	DESCRIPTION	DATE	APVD
-	-	SEE SHEET 1	-	-



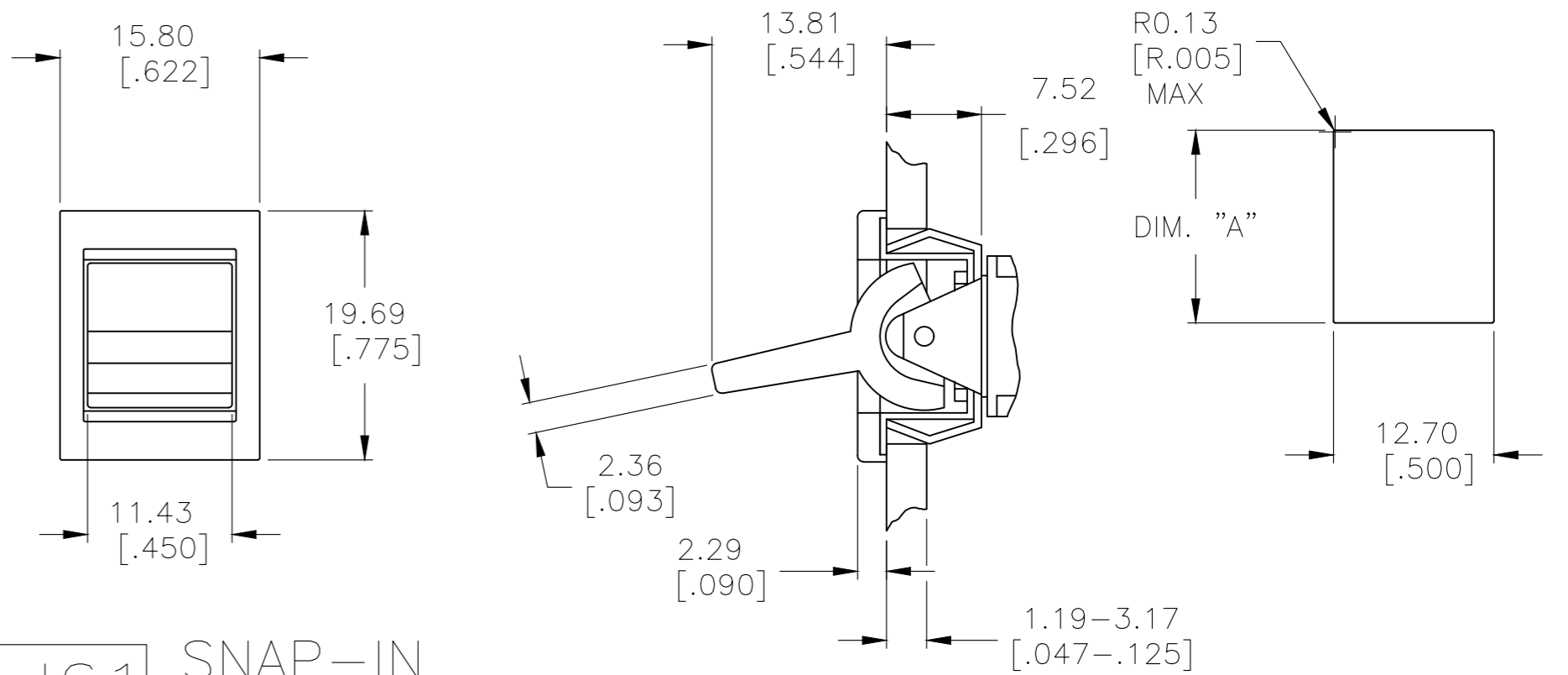
J2 SMALL



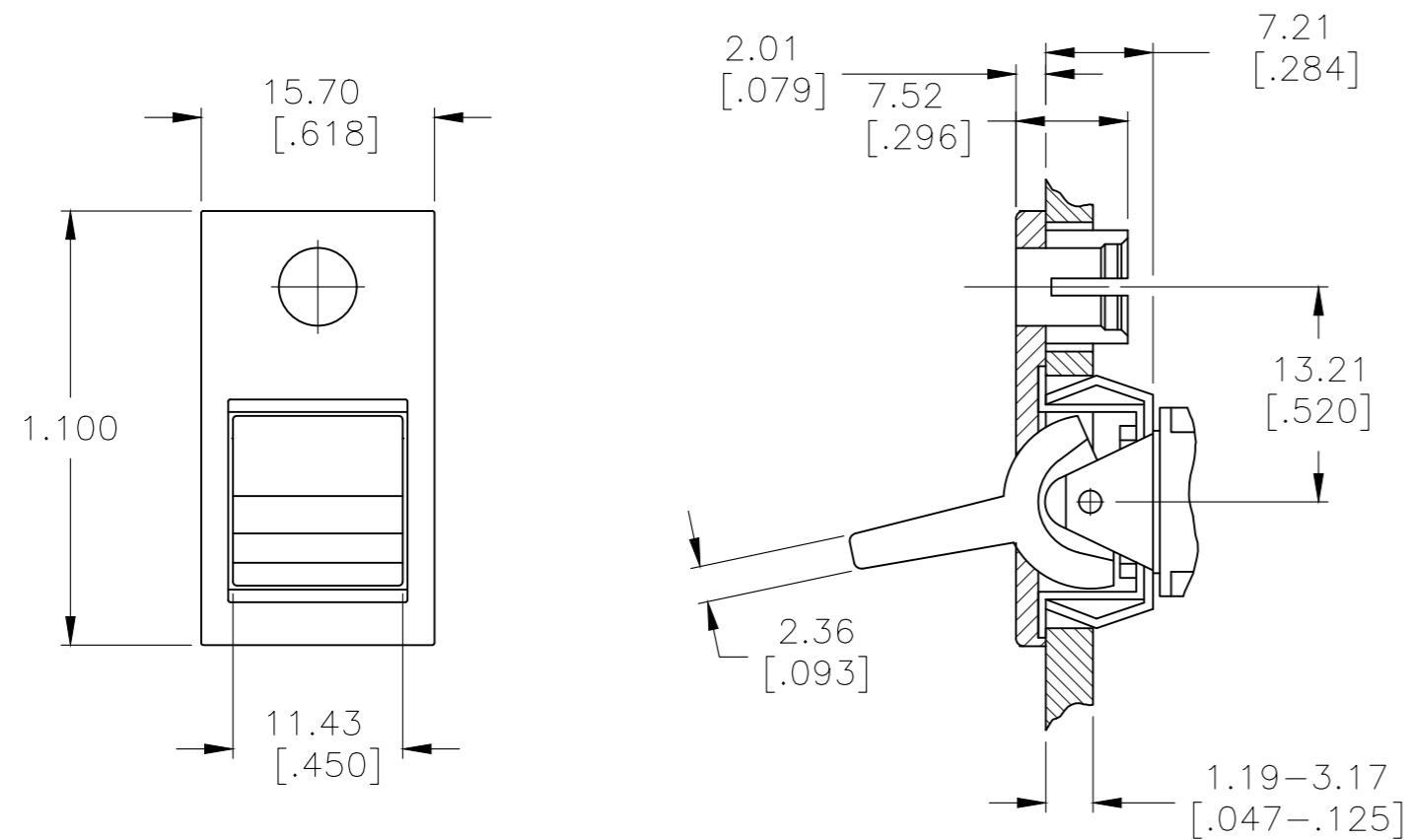
J4 LARGE



J60 SNAP-IN



J61 SNAP-IN WITH BEZEL



J62 SNAP-IN WITH BEZEL/L.E.D.

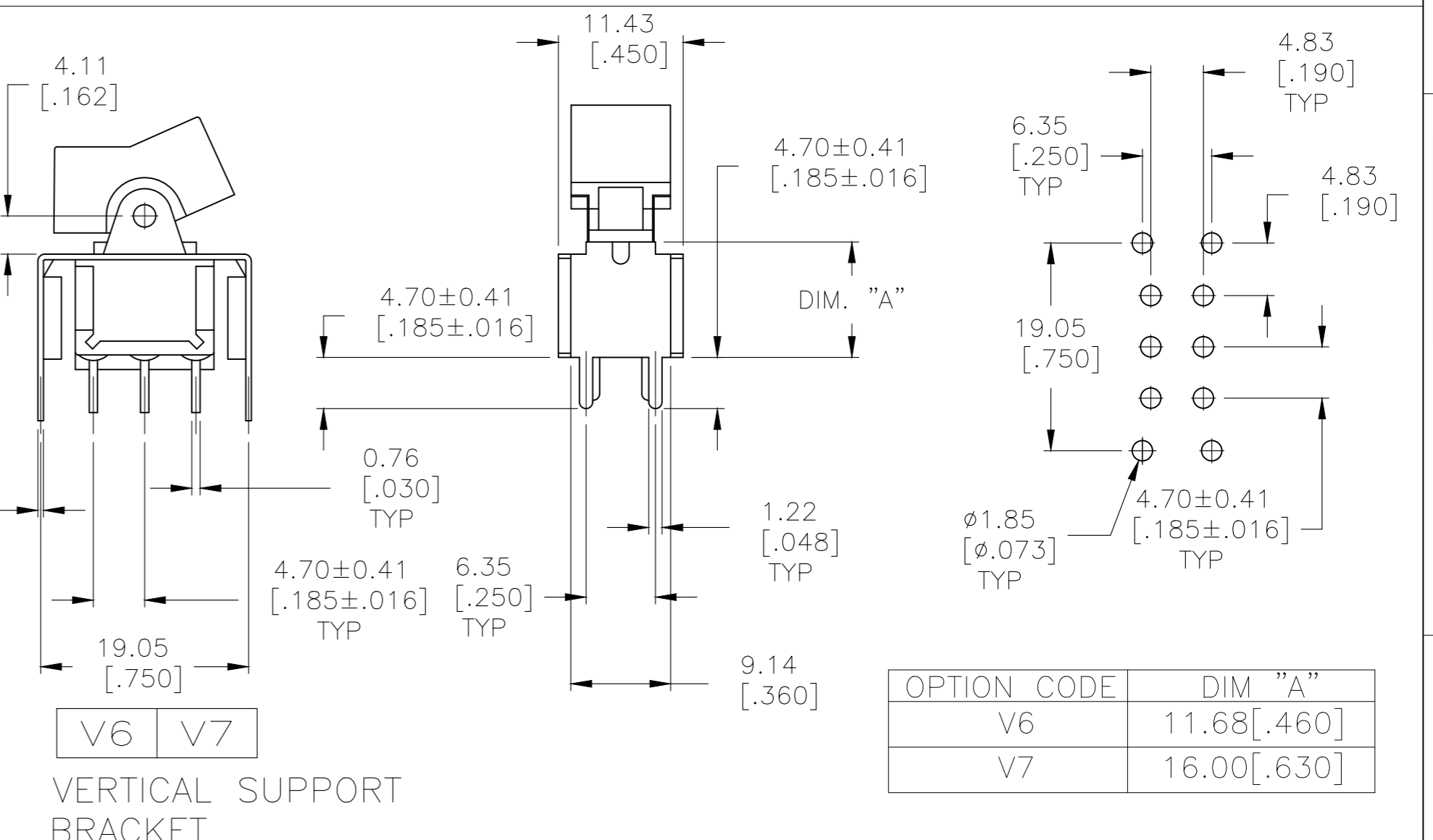
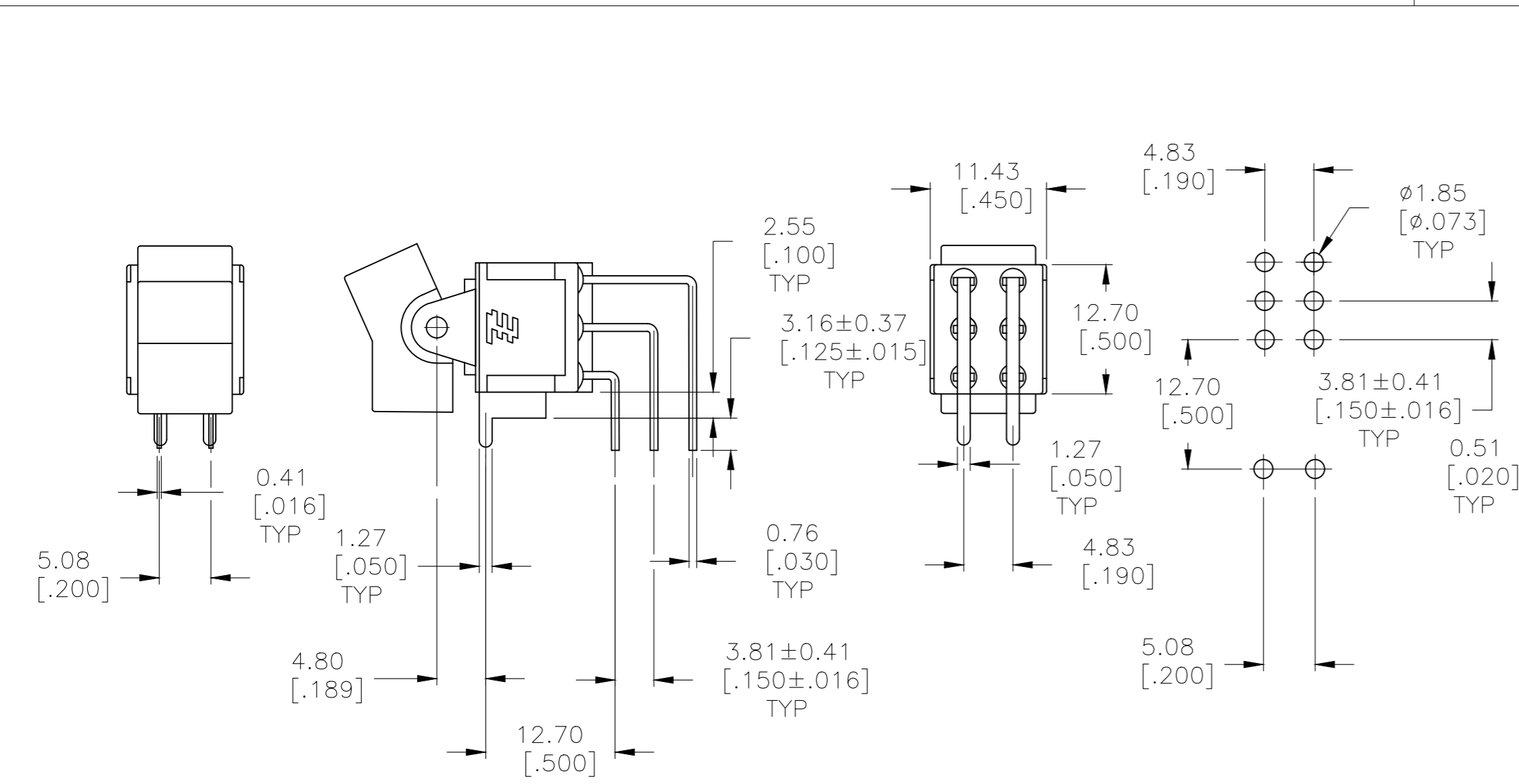
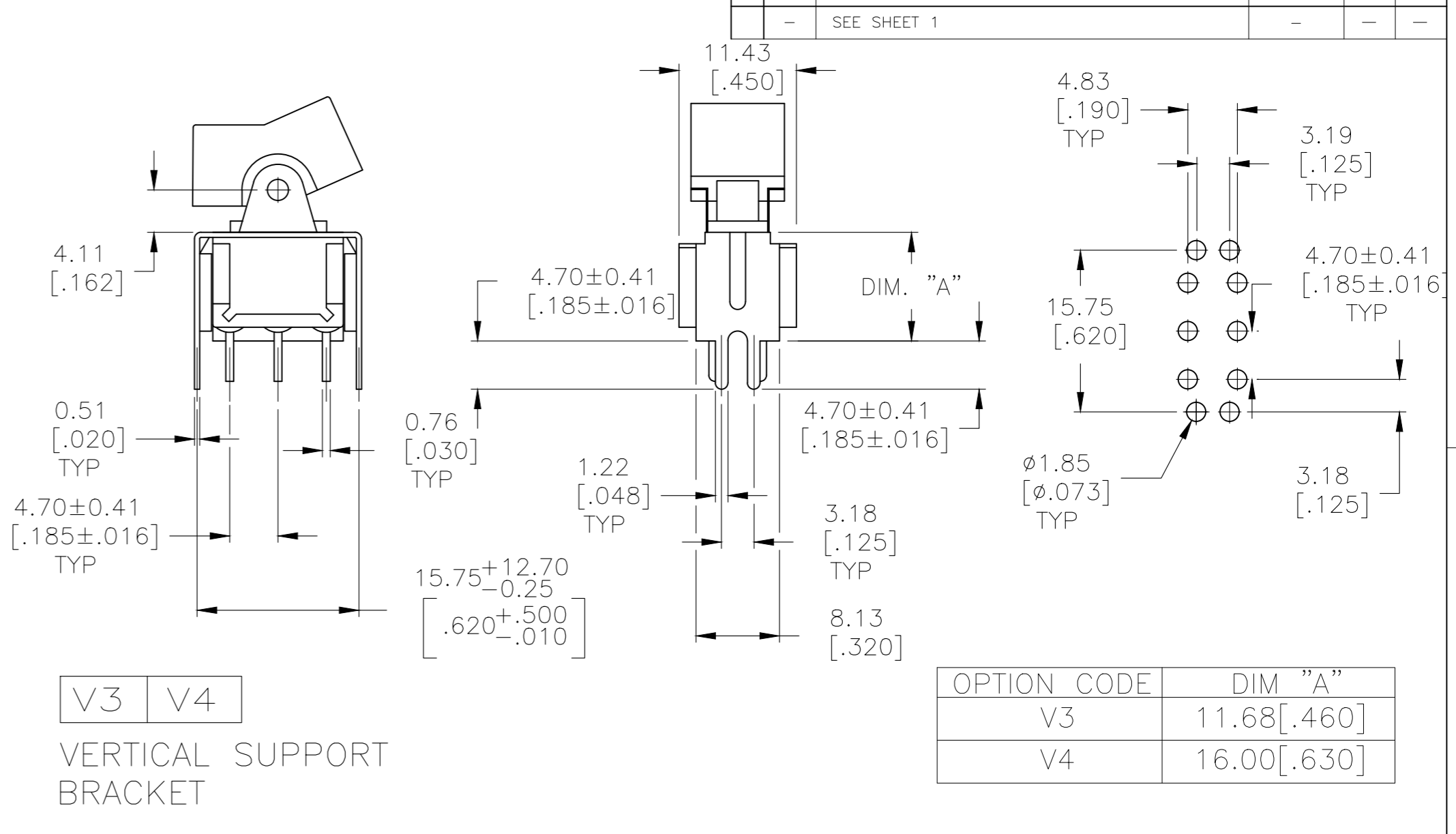
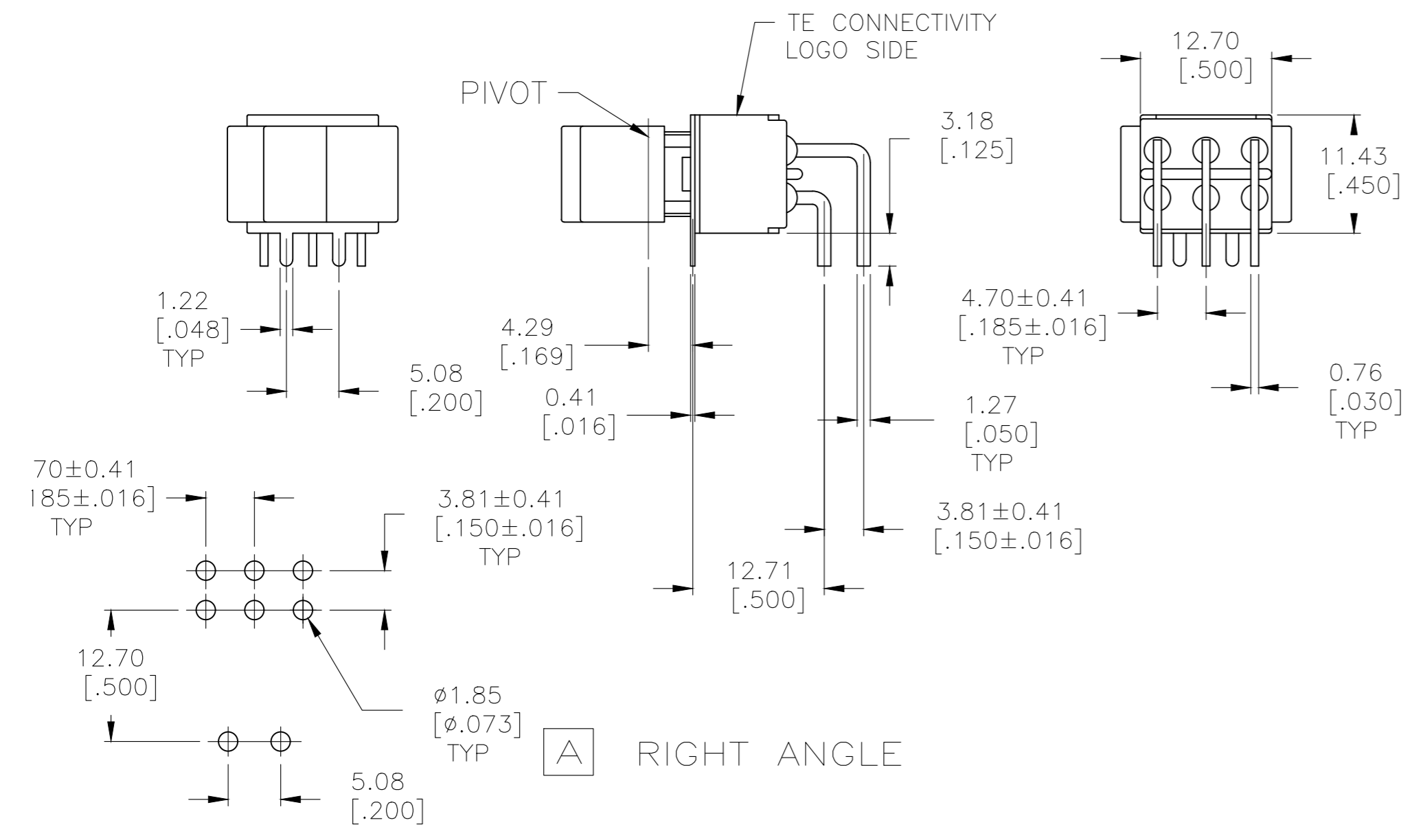
NOTE: L.E.D. NOT SUPPLIED

1.52-3.17 [0.060-.125]	15.75-15.87 [0.620-.625]
1.19-1.50 [0.047-.059]	15.72 [0.619]
PANEL THICKNESS	
DIM "A"	

THIS DRAWING IS A CONTROLLED DOCUMENT.		DWN M.BINNER 06JAN05	 TE Connectivity
DIMENSIONS: mm [INCHES]		CHK M.ZITTO 06JAN05	
TOLERANCES UNLESS OTHERWISE SPECIFIED:		APVD M.ZITTO 06JAN05	NAME GEMINI A SERIES ROCKER SWITCH DOUBLE POLE
0 PLC ± -	1 PLC ± -	PRODUCT SPEC	SIZE A2
2 PLC ± -	3 PLC ± .010	APPLICATION SPEC	CAGE CODE 00779
4 PLC ± -	ANGLES ± 4°	WEIGHT	DRAWING NO 1571987
MATERIAL	FINISH	RESTRICTED TO	SCALE 2:1
CUSTOMER DRAWING		SHEET 3 OF 5	REV A8

THIS DRAWING IS UNPUBLISHED. RELEASED FOR PUBLICATION
 © COPYRIGHT - By - ALL RIGHTS RESERVED.

REVISIONS				
P	LTR	DESCRIPTION	DATE	APVD
-	-	SEE SHEET 1	-	-



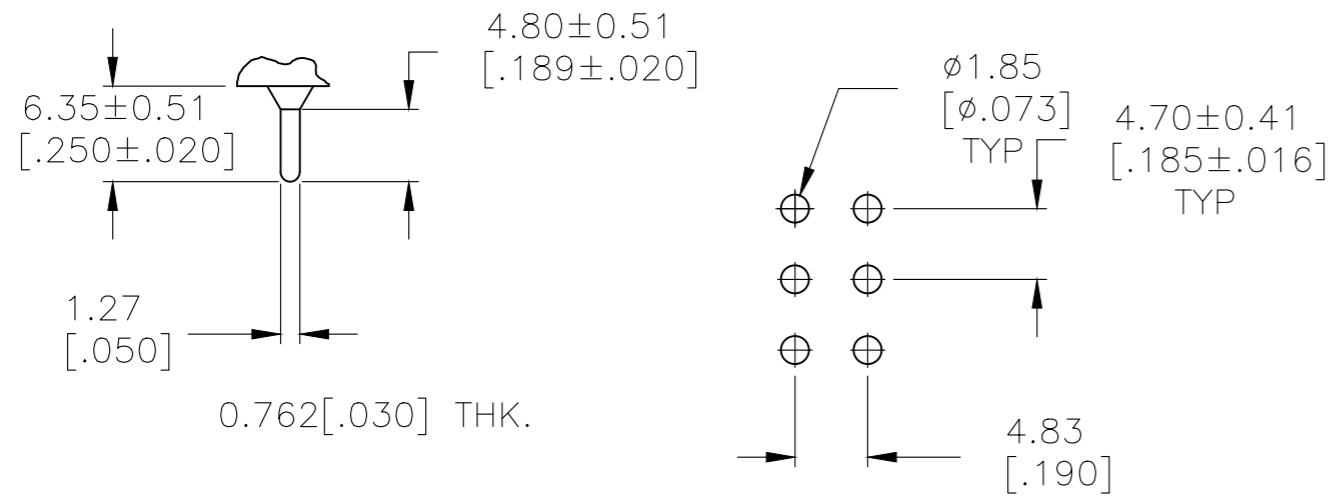
AV2 VERTICAL RIGHT ANGLE

V6 V7
 VERTICAL SUPPORT BRACKET

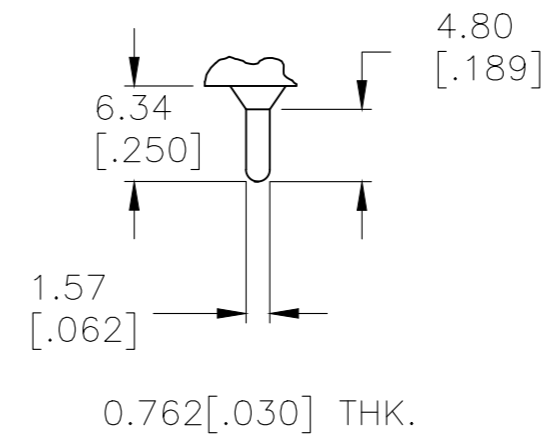
THIS DRAWING IS A CONTROLLED DOCUMENT.		DWN M.BINNER 06JAN05	TE Connectivity	
DIMENSIONS: mm [INCHES]		CHK M.ZITTO 06JAN05		
TOLERANCES UNLESS OTHERWISE SPECIFIED:		APVD M.ZITTO 06JAN05	NAME GEMINI A SERIES ROCKER SWITCH DOUBLE POLE	
0 PLC ± - 1 PLC ± - 2 PLC ± - 3 PLC ± .010 4 PLC ± - ANGLES ± 4°		PRODUCT SPEC	SIZE A2	
MATERIAL		APPLICATION SPEC	CAGE CODE 00779	DRAWING NO 1571987
FINISH		WEIGHT	RESTRICTED TO	
		CUSTOMER DRAWING	SCALE 2:1	SHEET 4 of 5
			REV A8	

THIS DRAWING IS UNPUBLISHED. RELEASED FOR PUBLICATION
 © COPYRIGHT - By - ALL RIGHTS RESERVED.

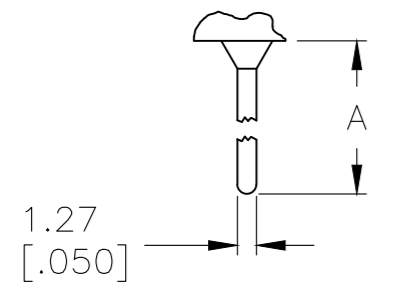
REVISIONS				
P	LTR	DESCRIPTION	DATE	APVD
-	-	SEE SHEET 1	-	-



C PRINTED CIRCUIT



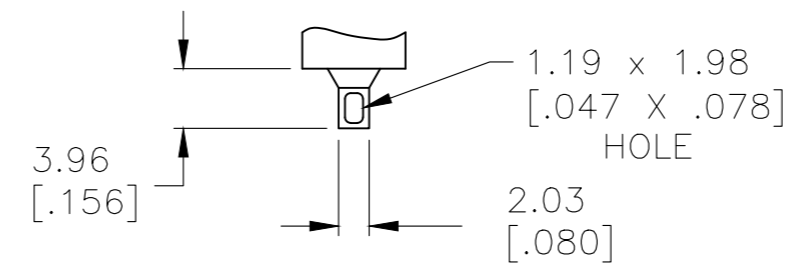
Z3 QUICK CONNECT



OPTION	DIM A
W	18.69[.736]
W4	26.97[1.062]

0.762[.030] THK.

W **W4** WIRE WRAP



0.762[.030] THK.

Z WIRE LUG

MATERIALS CHART

COMPONENT NAME	BASE MATERIAL	FINISH
CASE	DAP, RED, UL94 V-0	
FRAME	STAINLESS STEEL	
B TERMINALS & CONTACTS	COPPER	GOLD OVER NICKEL
G TERMINALS & CONTACTS	COPPER	GOLD OVER SILVER
Q TERMINALS & CONTACTS	COPPER	SILVER
ACTUATOR	PHENOLIC, BLACK, UL94 V-1	
ROCKER CAP	NYLON, BLACK, UL94 V-1	
BUSHING & ACTUATOR LEVER	ZINC ALLOY	NICKEL
SPRING	MUSIC WIRE	
SUPPORT BRACKET	BRASS	TIN
PIVOT PIN	STEEL	NICKEL
TERMINAL SEAL	EPOXY, UL94 V-1	

OBSOLETE	A213J61ZQ0004	4-1571987-4
	A211J51ZQ0004	4-1571987-3
	A208J61ZQ0004	4-1571987-2
OBSOLETE	A208J51ZQ0004	4-1571987-1
OBSOLETE	A208J1V3Q0004	4-1571987-0
OBSOLETE	NOT ASSIGNED	3-1571987-9
	A207J61ZQ0004	3-1571987-8
	A207J51ZQ0004	3-1571987-7
OBSOLETE	A207J3ZQ0004	3-1571987-6
OBSOLETE	A207J1ZQ0004	3-1571987-5
	A205J61ZQ0004	3-1571987-4
	A205J51ZQ0004	3-1571987-3
OBSOLETE	A205J2ZQ0004	3-1571987-2
	A205J2CQ0004	3-1571987-1
	A205J1ZQ0004	3-1571987-0
	A205J1AV2Q0004	2-1571987-9
OBSOLETE	NOT ASSIGNED	2-1571987-8
	A203J61ZQ0004	2-1571987-7
	A203J51ZQ0004	2-1571987-6
OBSOLETE	NOT ASSIGNED	2-1571987-5
OBSOLETE	A203J1ZQ0004	2-1571987-4
OBSOLETE	NOT ASSIGNED	2-1571987-3
	A203J1CQ204	2-1571987-2
OBSOLETE	A203J1AV2Q004	2-1571987-1
	A203J1AQ004	2-1571987-0
	A201J61ZQ0004	1-1571987-9
OBSOLETE	A201J61Z3Q0004	1-1571987-8
OBSOLETE	A201J51ZQ9904	1-1571987-7
OBSOLETE	NOT ASSIGNED	1-1571987-6
	A201J51ZQ0004	1-1571987-5
OBSOLETE	A201J50ZQ004	1-1571987-4
OBSOLETE	A201J50AV2Q804	1-1571987-3
OBSOLETE	A201J50AV2Q004	1-1571987-2
	A201J3ZQ004	1-1571987-1
	A201J3ZB004	1-1571987-0
OBSOLETE	A201J2ZQ004	1571987-9
	A201J2CQ004	1571987-8
	A201J1ZQ004	1571987-7
OBSOLETE	A201J1V3Q004	1571987-6
	A201J1CQ004	1571987-5
	A201J1AV2Q004	1571987-4
	A201J1AQ204	1571987-3
	A201J1AQ004	1571987-2
OBSOLETE	A211J61Z3Q0004	1571987-1
	ALCO P/N	P/N

THIS DRAWING IS A CONTROLLED DOCUMENT.

DWN	M.BINNER	06JAN05
CHK	M.ZITTO	06JAN05
APVD	M.ZITTO	06JAN05

TE Connectivity

GEMINI A SERIES ROCKER SWITCH
DOUBLE POLE

SIZE	CAGE CODE	DRAWING NO	RESTRICTED TO
A2	00779	1571987	-

CUSTOMER DRAWING SCALE 2:1 SHEET 5 OF 5 REV A8

X-ON Electronics

Largest Supplier of Electrical and Electronic Components

Click to view similar products for [Rocker Switches](#) category:

Click to view products by [TE Connectivity](#) manufacturer:

Other Similar products are found below :

[LTILA6E-1S-WH-RC-FN12VXCR1](#) [6-1571986-9](#) [8007K26N324V52](#) [8055K23Z7V](#) [8055K32Z7V](#) [8055K52Z7V](#) [8138K20E6M50](#) [84206L](#)
[84312LX](#) [PREDD5-07F-BB0GW](#) [999-16716-002](#) [999-16716-003](#) [999-16716-004](#) [A101J1V3Q004](#) [A101J2ZQ004](#) [A101J4ZQ004](#)
[A101J51CB0004](#) [A103J1ZQ004](#) [A201J1AQ004](#) [A201J3ZB004](#) [A201J50ZQ004](#) [A203J51ZQ0004](#) [A435S1YZQ](#) [H8500XBBBBL-A](#)
[H8653VBBG2577W](#) [HB130CHNWWNAAC](#) [R13112ABB-602W](#) [1251.0303](#) [AE205J60V3B004](#) [1352.0107](#) [1571099-3](#) [1571987-4](#)
[1571987-5](#) [1571989-7](#) [1571988-5](#) [B123J77V7B2](#) [B226J50W4Q22P](#) [B433J37ZQ22M](#) [160212E](#) [1634200-7](#) [1801.1164](#) [1839.1502](#) [PANEL-](#)
[PLUG-VHP-BLACK](#) [PANEL-PLUG-VHP-WT](#) [K1ABBSCADN](#) [KG312A2DXD246X](#) [250011E714](#) [2600HM11E](#) [2600R21E](#) [260413E](#)