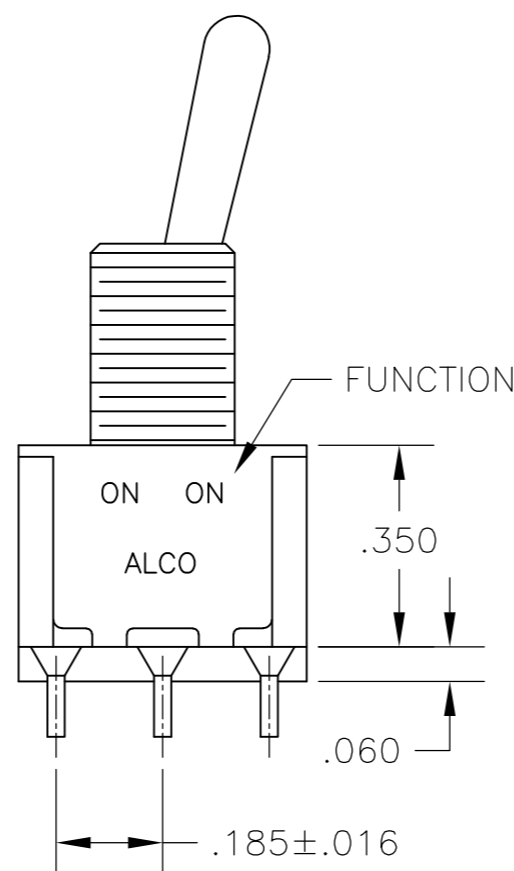
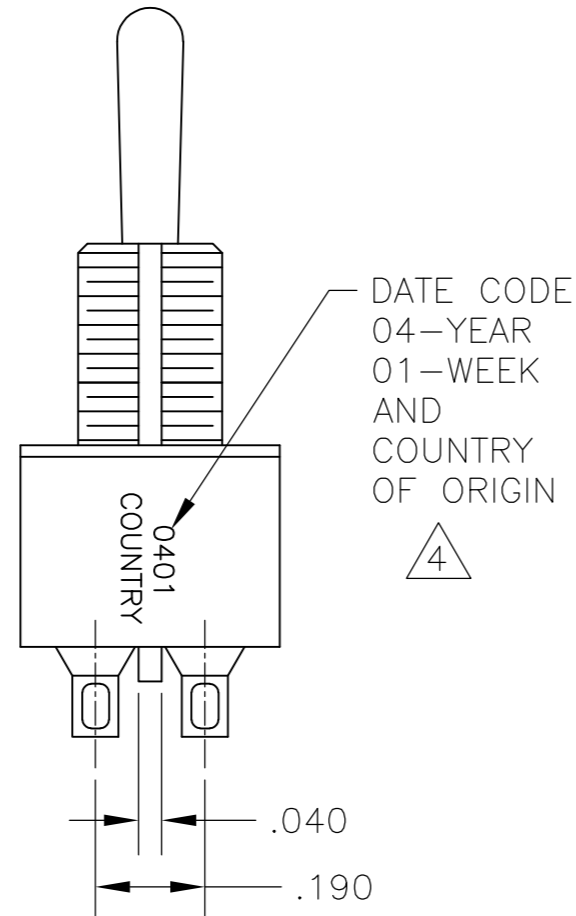
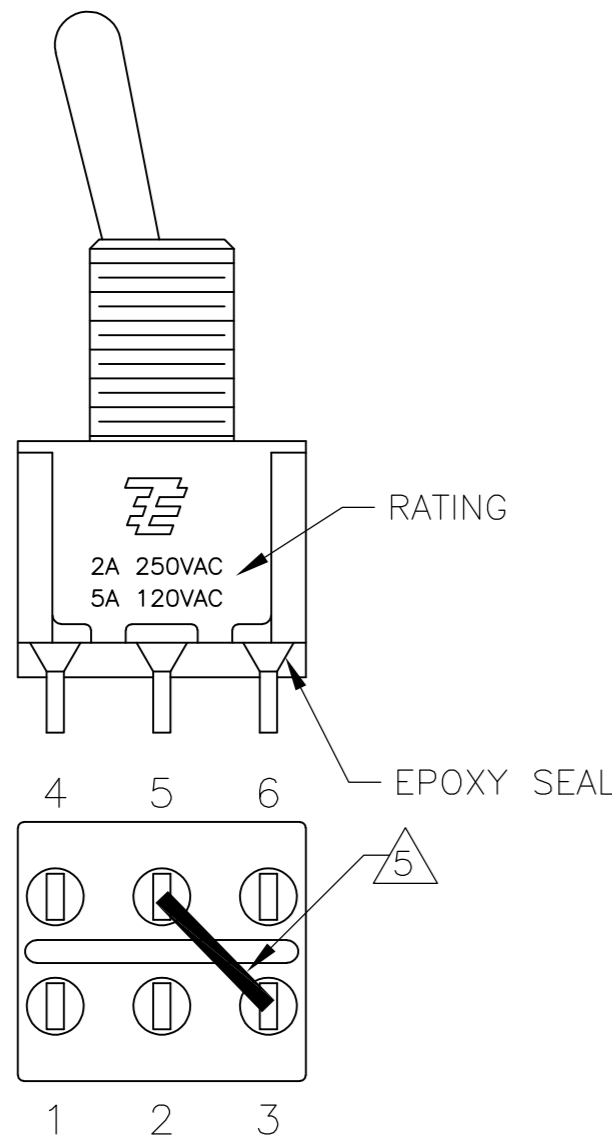
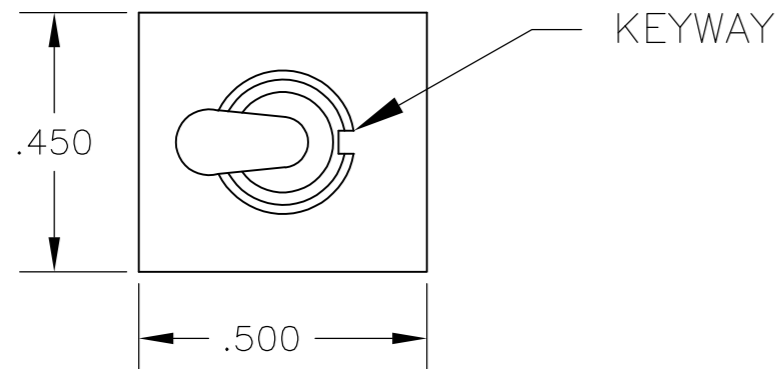


THIS DRAWING IS UNPUBLISHED. RELEASED FOR PUBLICATION  
 © COPYRIGHT - By - ALL RIGHTS RESERVED.

| REVISIONS |     |                           |           |     |      |
|-----------|-----|---------------------------|-----------|-----|------|
| P         | LTR | DESCRIPTION               | DATE      | DWN | APVD |
| A5        |     | REVISED PER ECO-17-001328 | 02FEB2017 | RK  | SS   |



- ALL MATERIALS AND FINISHES SHALL COMPLY WITH EU DIRECTIVE 2002/95/EC OF 27JAN2003 (ROHS).
  - EACH SWITCH WITH THREADED BUSHINGS SUPPLIED WITH THE FOLLWING MOUNTING HARDWARE:  
 (2) HEX NUTS  
 (1) INTERNAL TOOTH LOCKWASHER  
 (1) LOCATING RING.
  - G CONTACT OPTION CAN BE USED FOR SIGNAL OR POWER LEVEL SWITCHING. IF SWITCH IS USED AT LEVELS EXCEEDING .4VA @ 20V AC/DC, SWITCH IS RENDERED FOR POWER SWITCHING ONLY DUE TO ARC REMOVAL OF GOLD PLATING. RATING MARKED ON FRAME IS 2A 250VAC, 5A 120VAC.
- △4 DATE CODE AND COUNTRY OF ORIGIN MAY APPEAR ON EITHER SIDE OF SWITCH.  
 △5 SP3T FUNCTION ACHIEVED WITH FUNCTIONS 11, 13 & 15 BY CUSTOMER APPLIED JUMPER BETWEEN TERMINALS 3 AND 5.  
 △6 LENGTH OF TOGGLE REDUCED BY .020 WITH A, AV2, V30 OR V40 VERTICAL SUPPORT BRACKET.  
 7 ALL LOGO, RATING, DATE CODE, AND FUNCTION MARKINGS TO BE LASER MARKED.

| SPECIFICATIONS CHART            |   |
|---------------------------------|---|
| RATING, B CONTACTS              | .4VA MAX @20V MAX. AC OR DC   |
| RATING, G CONTACTS—SEE NOTE 3   | .4VA MAX @20V MAX. AC OR DC OR<br>5A @120 VAC OR 28 VDC (RESISTIVE) |
|                                 | 2A @250 VAC (RESISTIVE)   |
| RATING, Q CONTACTS              | 5A @120 VAC OR 28 VDC (RESISTIVE)                                   |
|                                 | 2A @250 VAC (RESISTIVE)   |
| ELECTRICAL LIFE                 | 6,000 CYCLES AT RATED LOAD  |
| CONTACT RESISTANCE              | 10 MILLIOHMS MAX INITIAL @ 2-4VDC, 100ma                            |
| INSULATION RESISTANCE           | 1,000 MEGOHMS MIN   |
| DIELECTRIC WITHSTANDING VOLTAGE | 1,000 V RMS AT SEA LEVEL  |
| OPERATING TEMPRATURE            | -30C TO 85C   |

| FUNCTION CHART   |                         |                         |                         |
|--|-------------------------|-------------------------|-------------------------|
| FUNCTION   | 1 2 3<br>4 5 6          | 1 2 3<br>4 5 6          | 1 2 3<br>4 5 6          |
| 03   | ON                      | OFF                     | ON                      |
| 05   | (ON)                    | OFF                     | (ON)                    |
| 07   | ON                      | OFF                     | (ON)                    |
| TERMINALS CONNECTED  | 2-3, 5-6                | ---                     | 1-2, 4-5                |
| 11   | ON                      | ON                      | ON                      |
| 13   | ON                      | ON                      | (ON)                    |
| 15   | (ON)                    | ON                      | (ON)                    |
| TERMINALS CONNECTED  | 2-3, 5-6                | 2-3, 4-5                | 1-2, 4-5                |
| SP3T SCHEMATIC<br>(11, 13 & 15 ONLY)<br>SEE NOTE 5   | 6 • 3<br>5 • 2<br>4 • 1 | 6 • 3<br>5 • 2<br>4 • 1 | 6 • 3<br>5 • 2<br>4 • 1 |
|  | IN 2, OUT 6             | IN 2, OUT 4             | IN 2, OUT 1             |
| None: No mechanical position<br>Off: Mechanical position with no electrical connection<br>(On): Momentary action |                         |                         |                         |

| PART NUMBER SEQUENCE CHART |          |        |         |          |         |      |
|----------------------------|----------|--------|---------|----------|---------|------|
| MODEL                      | FUNCTION | TOGGLE | BUSHING | TERMINAL | CONTACT | RoHS |
| A2                         | 03       | K      | CW      | A        | B       | 04   |
|                            | 05       | K1     | D       | AV2      | G       |      |
|                            | 07       | L      | D9      | C        | Q       |      |
|                            | 11       | L1     | H       | V30      |         |      |
|                            | 13       | L2     | Y       | V40      |         |      |
|                            | 15       | M      | Y9      | V70      |         |      |
|                            |          | P3     |         | W        |         |      |
|                            |          | S      |         | W4       |         |      |
|                            |          | T      |         | Z        |         |      |
|                            |          | T1     |         | Z3       |         |      |

EXAMPLE: A207SYZQ04

THIS DRAWING IS A CONTROLLED DOCUMENT. DWN M. ZITTO 18MAY05  
 CHK M. ZITTO  
 APVD M. ZITTO  
 PRODUCT SPEC  
 APPLICATION SPEC

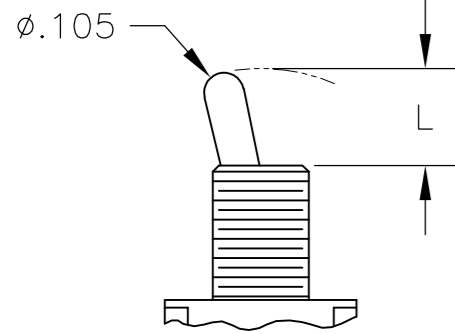
DIMENSIONS: INCHES TOLERANCES UNLESS OTHERWISE SPECIFIED:  
 0 PLC ± -  
 1 PLC ± -  
 2 PLC ± -  
 3 PLC ± .010  
 4 PLC ± -  
 ANGLES ± 2°  
 MATERIAL FINISH

TE Connectivity  
 GEMINI A SERIES TOGGLE SWITCH, DOUBLE POLE, 3 POSITION FUNCTIONS (03, 05, 07, 11, 13 & 15)

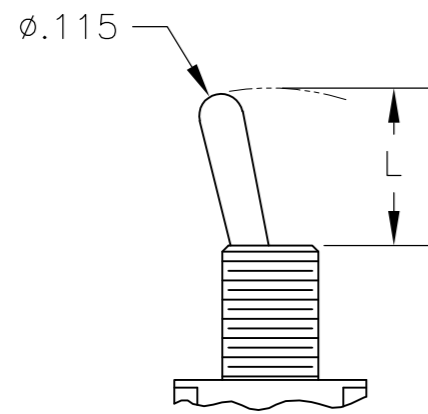
SIZE A2 CAGE CODE 00779 DRAWING NO. 1825139 RESTRICTED TO -  
 WEIGHT 0 SCALE 3:1 SHEET 1 of 4 REV A5  
 CUSTOMER DRAWING

THIS DRAWING IS UNPUBLISHED. RELEASED FOR PUBLICATION  
 © COPYRIGHT - By - ALL RIGHTS RESERVED.

# TOGGLES

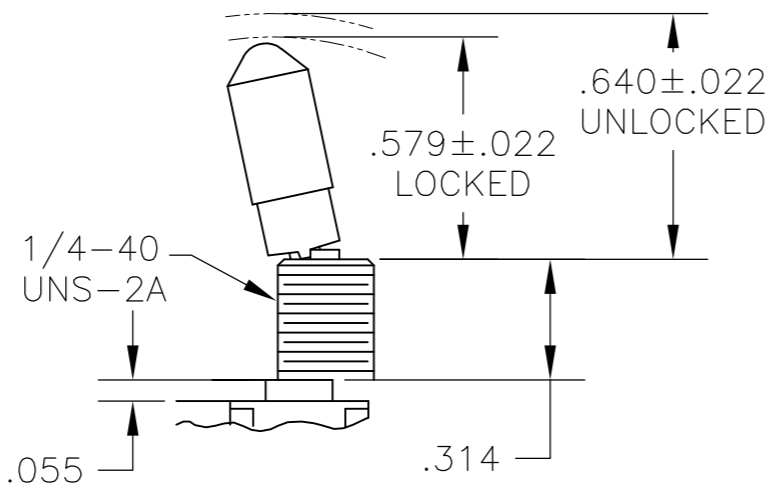


**M** SHORT

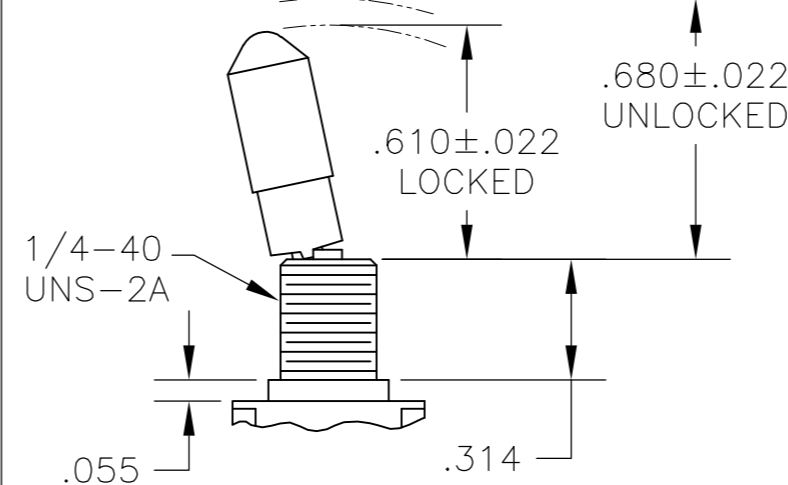


**S** STANDARD

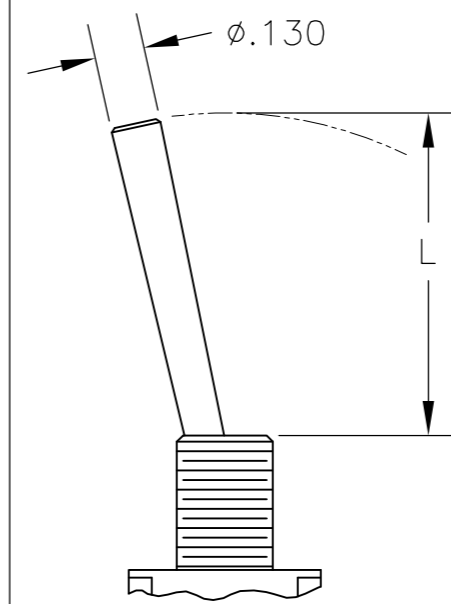
| DIM L | BUSHING TYPE | DIM L | BUSHING TYPE |
|-------|--------------|-------|--------------|
| .200  | Y, H         | .410  | Y, H         |
| .270  | D, D9        | .480  | D, D9        |



**K** NO BUSHING OPTION NEEDED



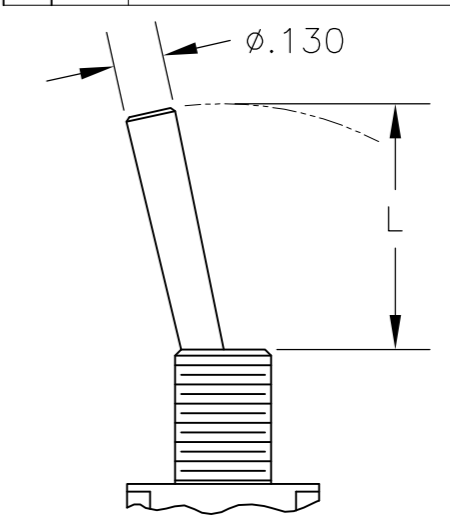
**K1** NO BUSHING OPTION NEEDED



**L** LEVER

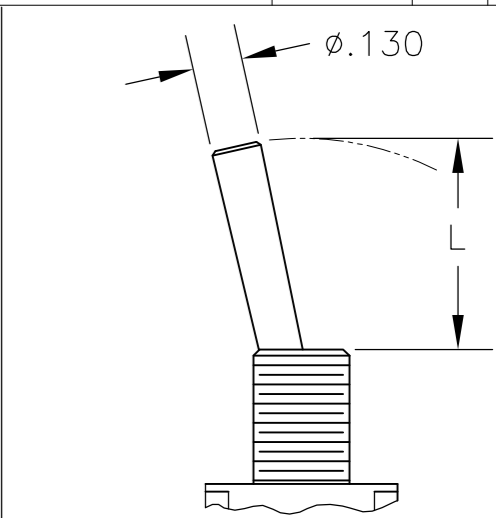
| DIM L | BUSHING TYPE |
|-------|--------------|
| .840  | Y, H         |
| .910  | D, D9        |

| REVISIONS |     |             |      |     |      |
|-----------|-----|-------------|------|-----|------|
| P         | LTR | DESCRIPTION | DATE | DWN | APVD |
| -         | -   | SEE SHEET 1 | -    | -   | -    |



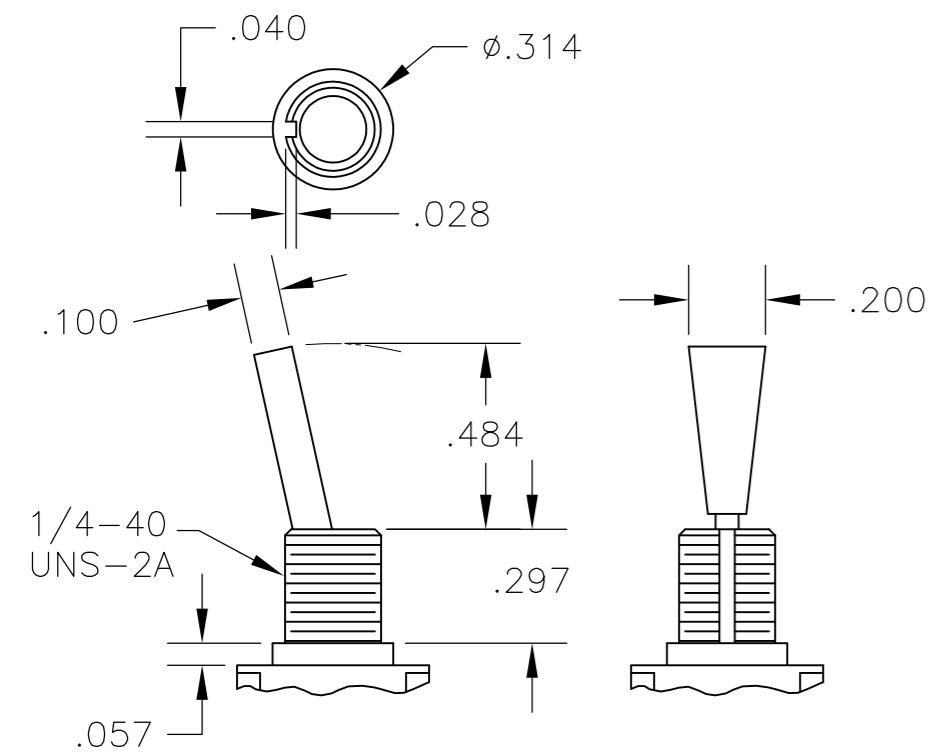
**L1** LEVER

| DIM L | BUSHING TYPE |
|-------|--------------|
| .640  | Y, H         |
| .710  | D, D9        |

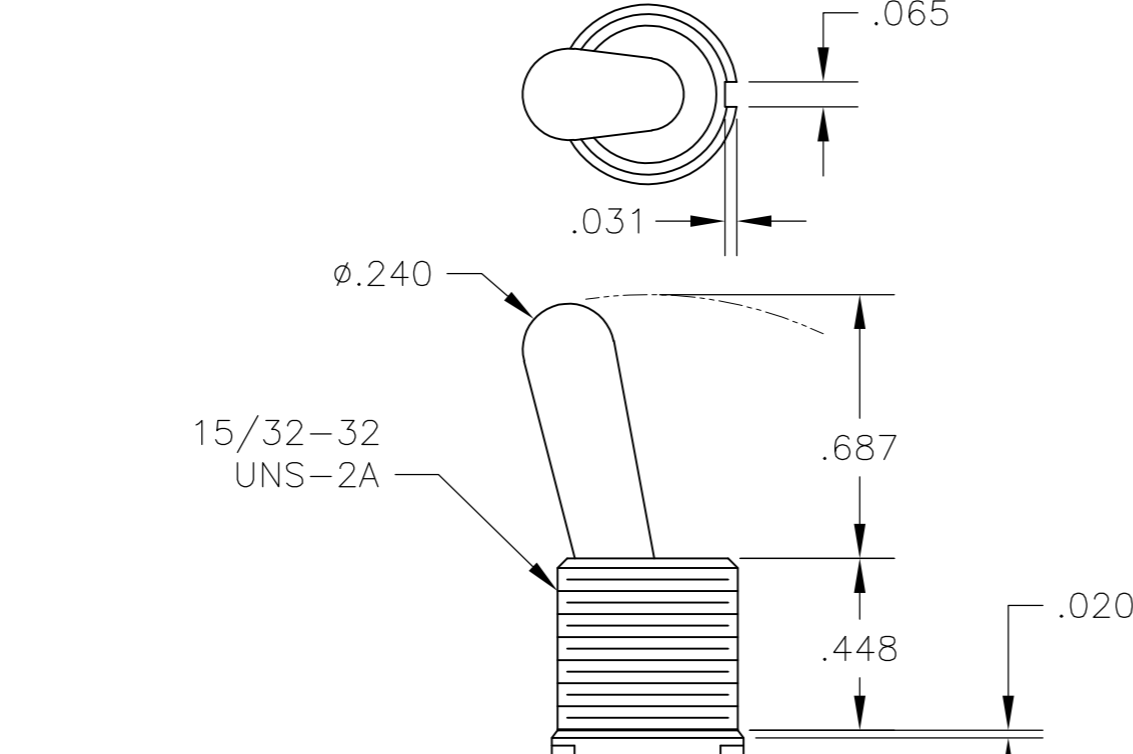


**L2** LEVER

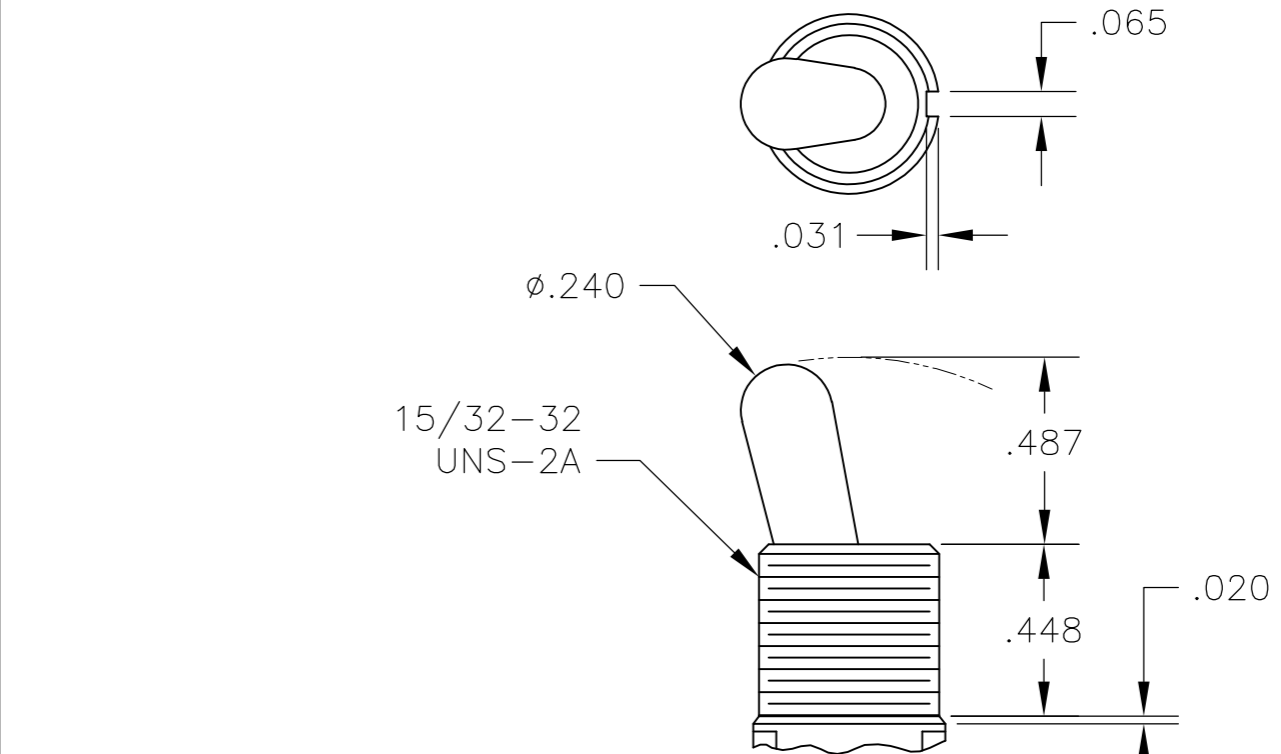
| DIM L | BUSHING TYPE |
|-------|--------------|
| .550  | Y, H         |
| .620  | D, D9        |



**P3** NO BUSHING OPTION NEEDED

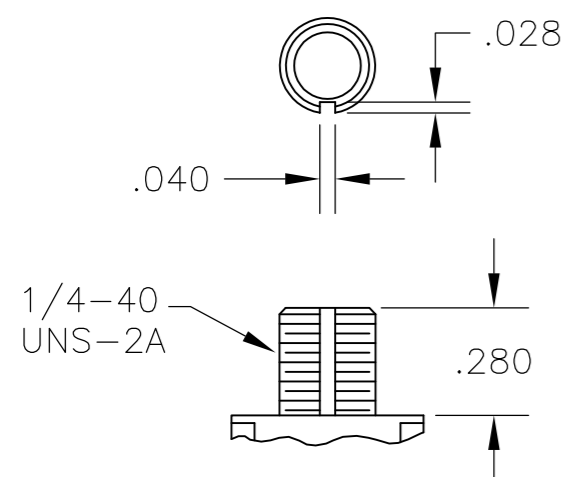


**T** NO BUSHING OPTION NEEDED

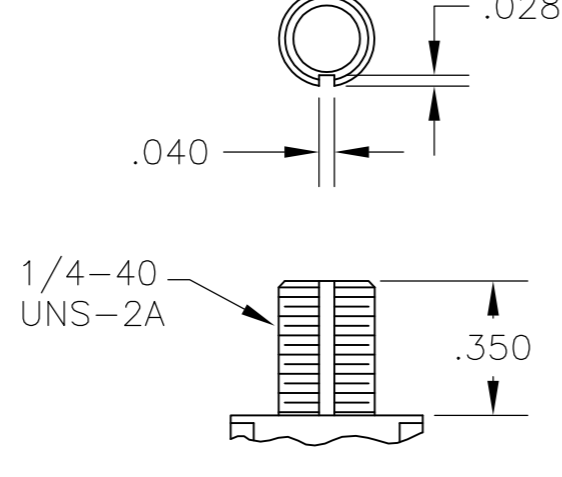


**T1** NO BUSHING OPTION NEEDED

# BUSHINGS

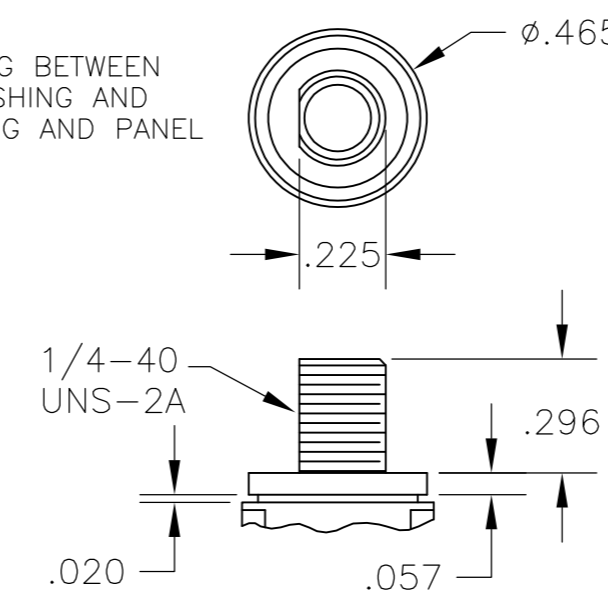


**D** THREADED  
**D9** UNTHREADED

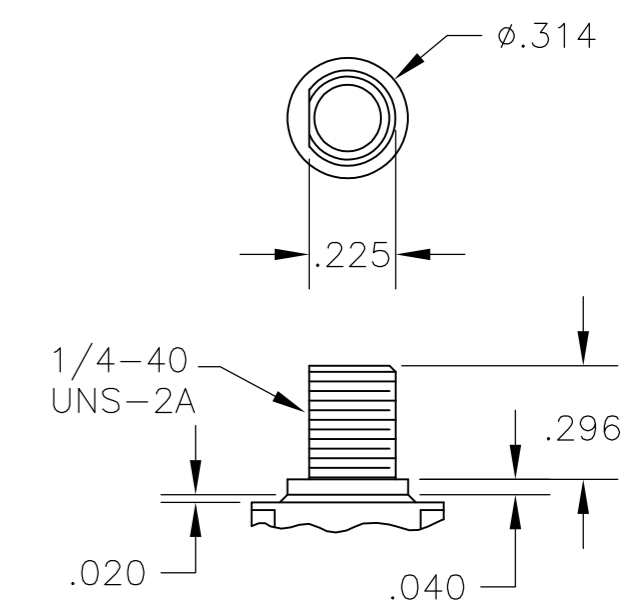


**Y** THREADED  
**Y9** UNTHREADED

CONTAINS O-RING BETWEEN TOGGLE AND BUSHING AND BETWEEN BUSHING AND PANEL



**CW** THREADED SPLASHPROOF

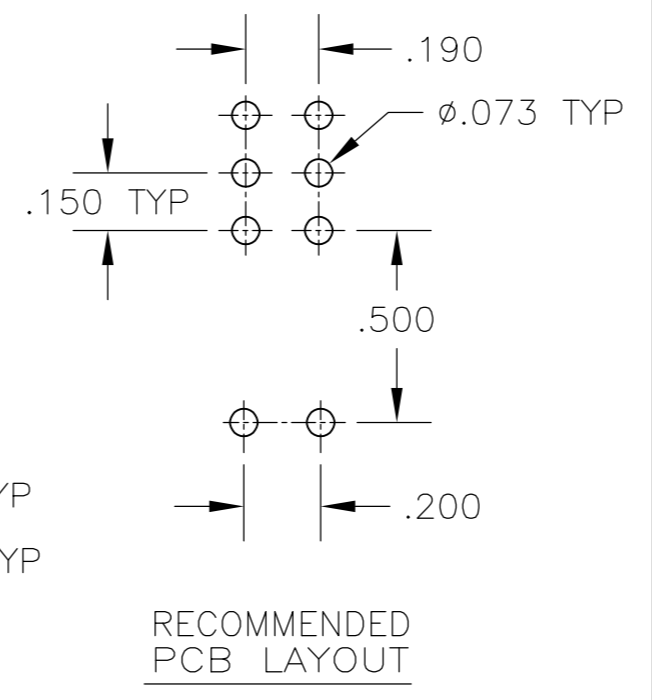
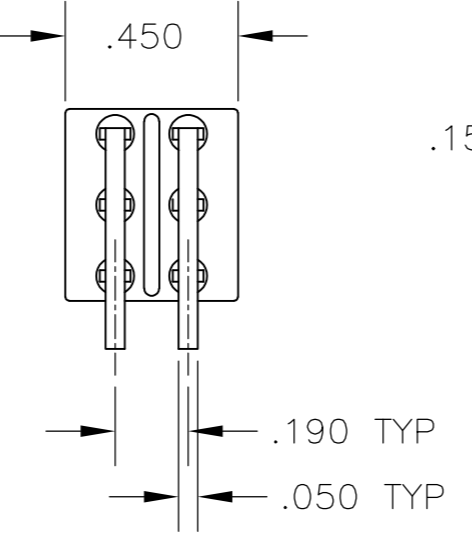
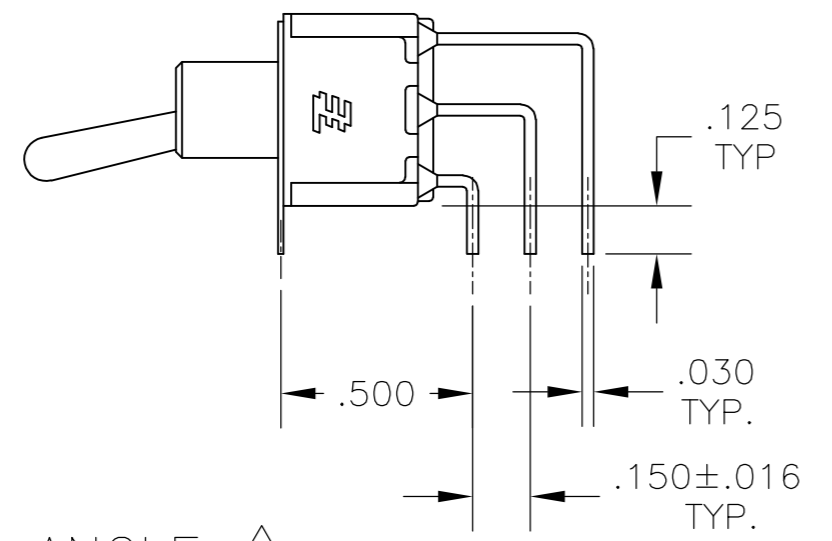
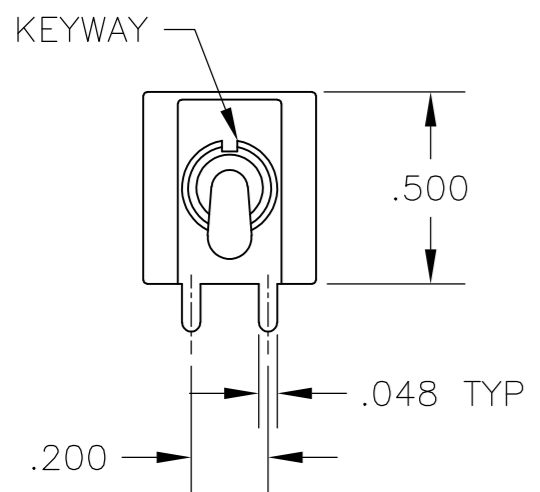


**H** HIGH TORQUE

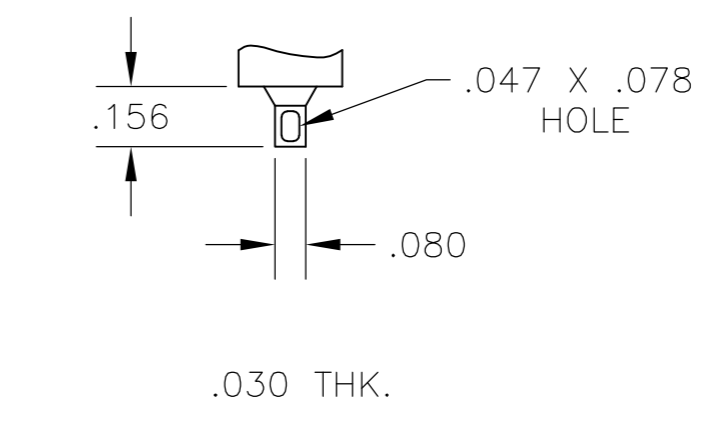
|   |  |                  |          |         |        |  |           |            |
|---|--|------------------|----------|---------|--------|--|-----------|------------|
| THIS DRAWING IS A CONTROLLED DOCUMENT.  |  | DWN              | M. ZITTO | 14APR05 |        | TE Connectivity  |           |            |
| DIMENSIONS: INCHES  |  | CHK              | M. ZITTO | -       |        | NAME   |           |            |
| TOLERANCES UNLESS OTHERWISE SPECIFIED:  |  | APVD             | M. ZITTO | -       |        | GEMINI A SERIES TOGGLE SWITCH, DOUBLE POLE, 3 POSITION FUNCTIONS (03, 05, 07, 11, 13 & 15) |           |            |
| 0 PLC ± -<br>1 PLC ± -<br>2 PLC ± -<br>3 PLC ± .010<br>4 PLC ± -<br>ANGLES ± 2° |  | PRODUCT SPEC     | -        | -       |        | SIZE   | CAGE CODE | DRAWING NO |
| MATERIAL  |  | APPLICATION SPEC | -        | -       | A2     | 00779  | C=1825139 |            |
| FINISH  |  | WEIGHT           | -        | -       | SCALE  |  | 2:1       |            |
| -   |  | CUSTOMER DRAWING | SHEET    |         | 2 of 4 |  | REV       |            |
| -   |  | -                |          | -       |        | A5   |           |            |

THIS DRAWING IS UNPUBLISHED. RELEASED FOR PUBLICATION  
 © COPYRIGHT - By - ALL RIGHTS RESERVED.

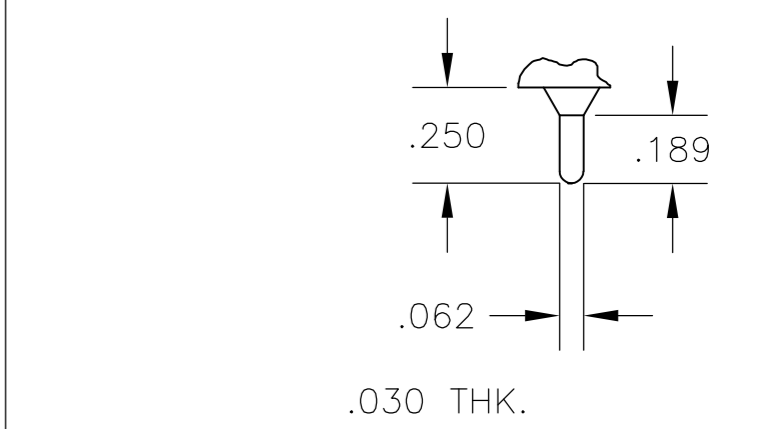
| REVISIONS |     |             |      |      |
|-----------|-----|-------------|------|------|
| P         | LTR | DESCRIPTION | DATE | APVD |
| -         | -   | SEE SHEET 1 | -    | -    |



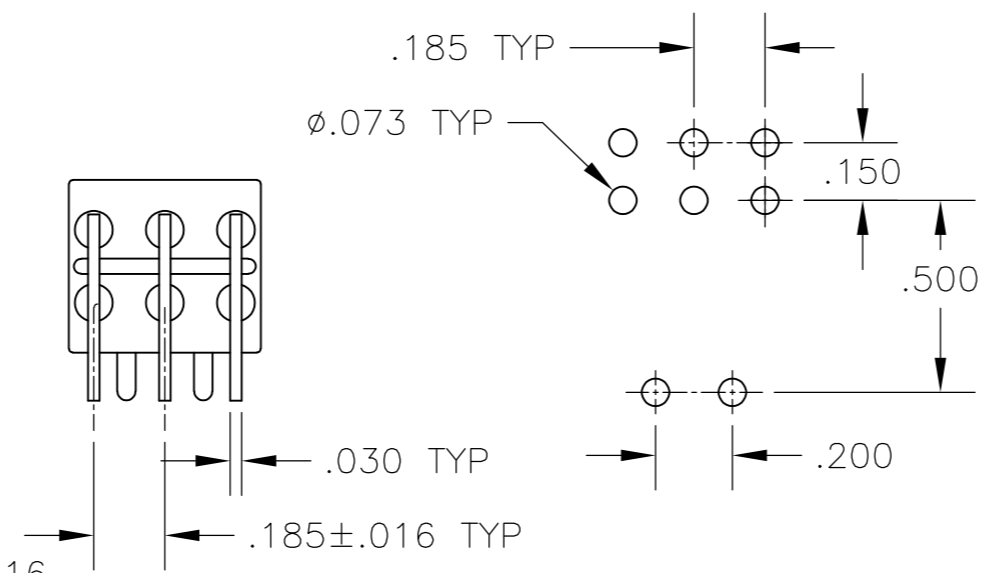
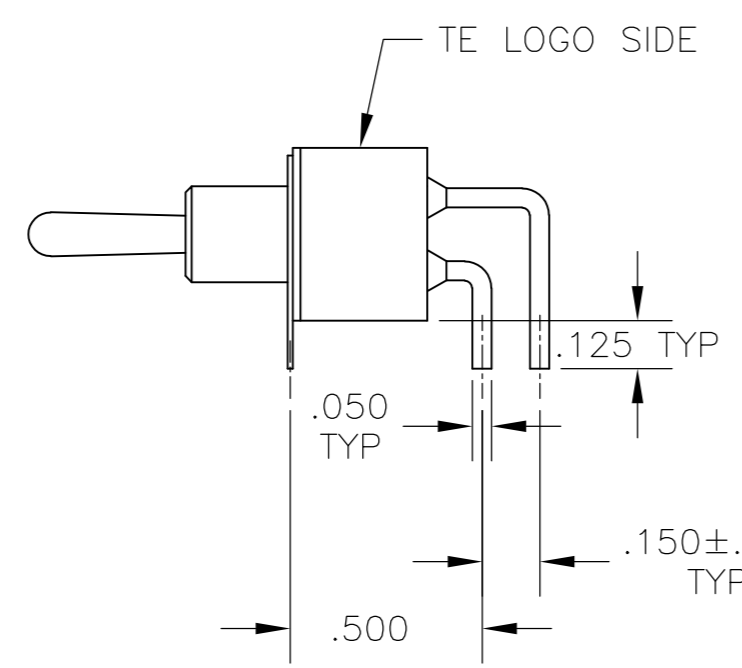
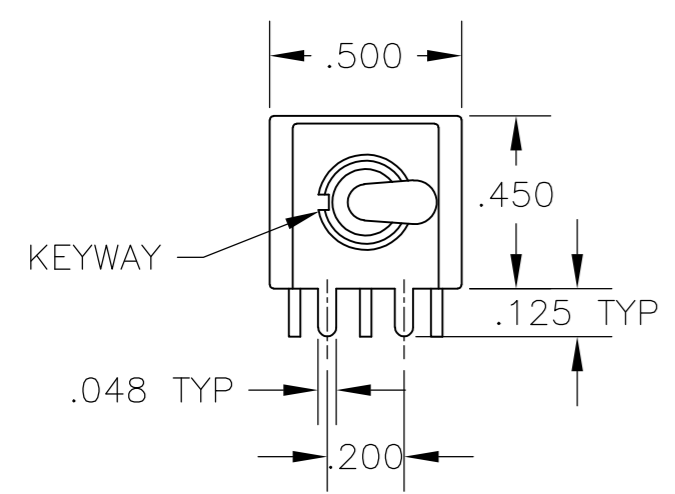
AV2 VERTICAL RIGHT ANGLE



Z WIRE LUG

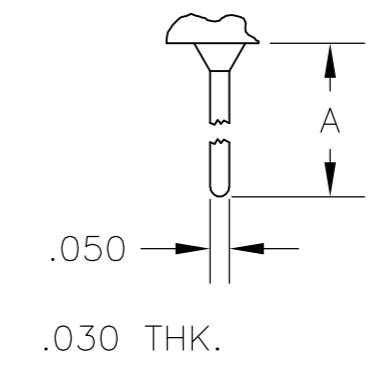


Z3 QUICK CONNECT

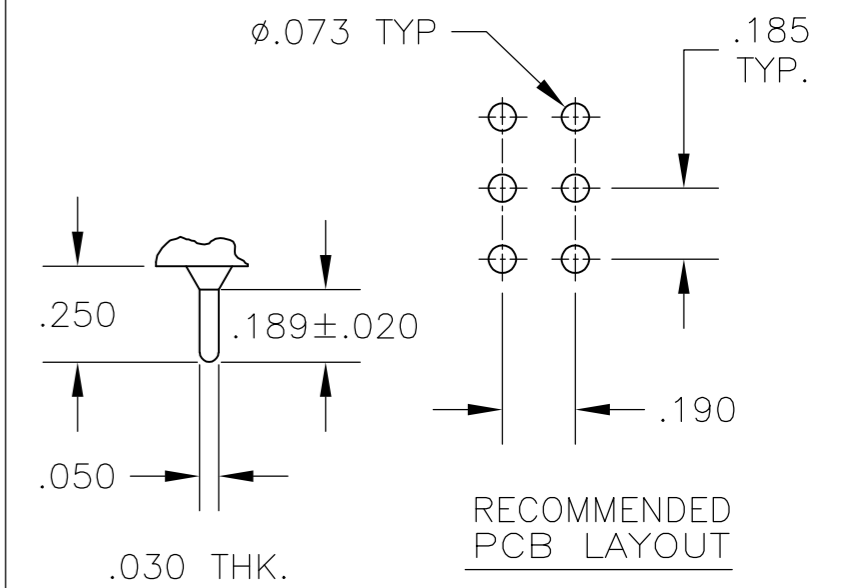


A RIGHT ANGLE

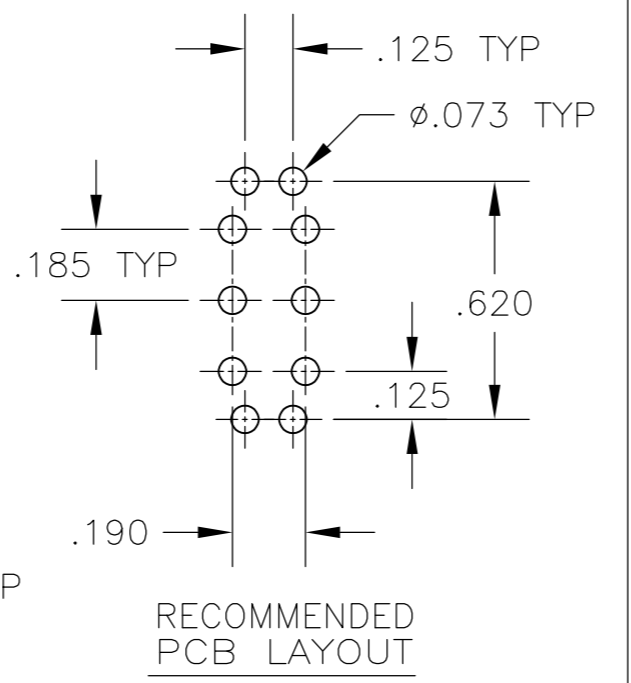
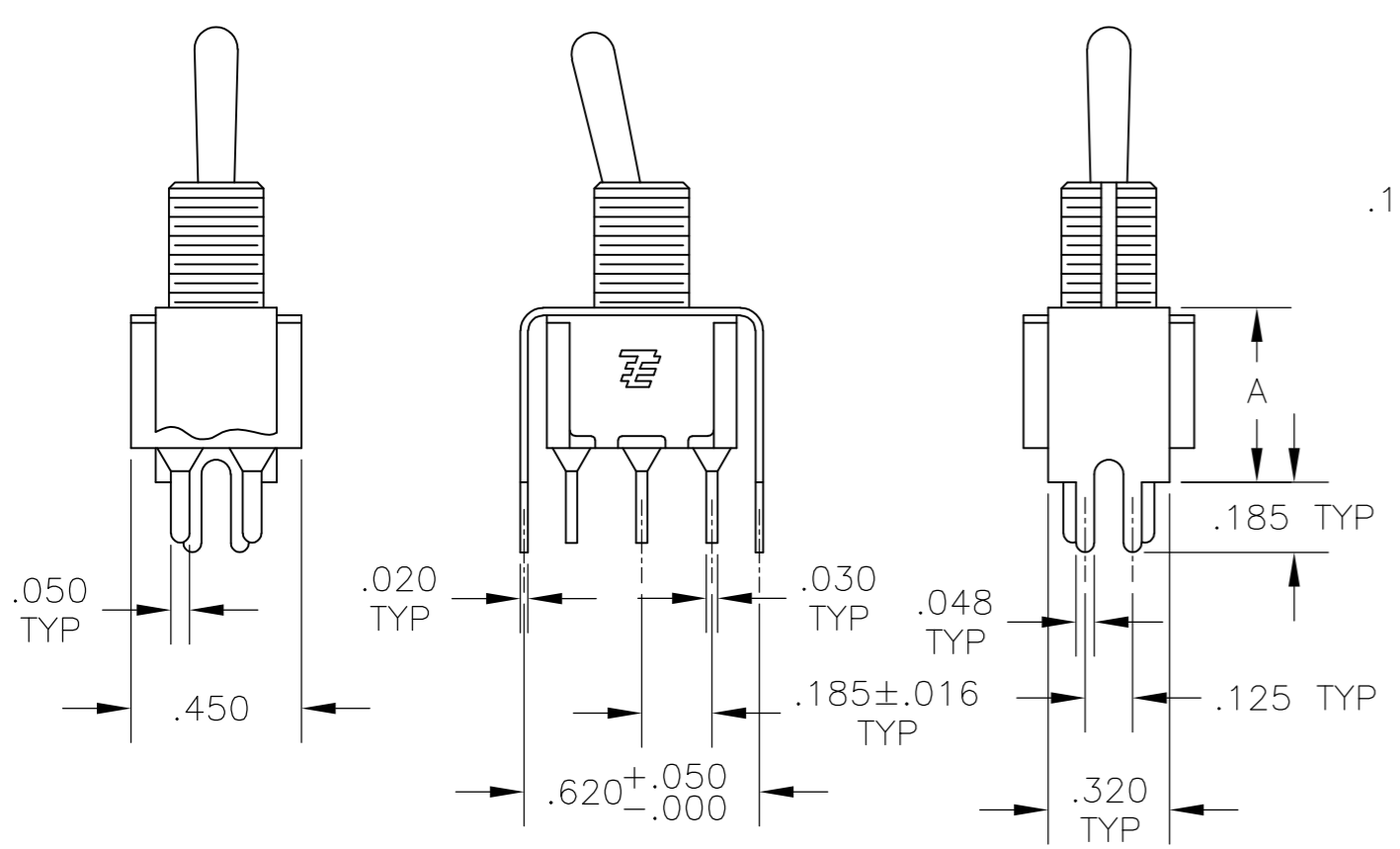
| OPTION | DIM A |
|--------|-------|
| W      | .736  |
| W4     | 1.062 |



W W4 WIRE WRAP

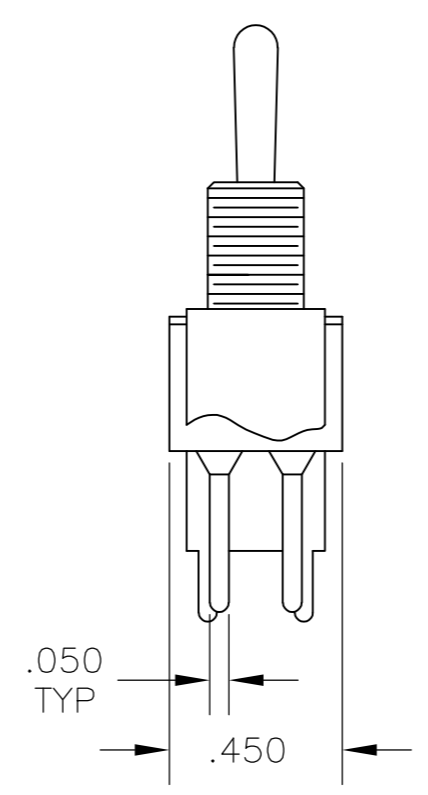


C PRINTED CIRCUIT

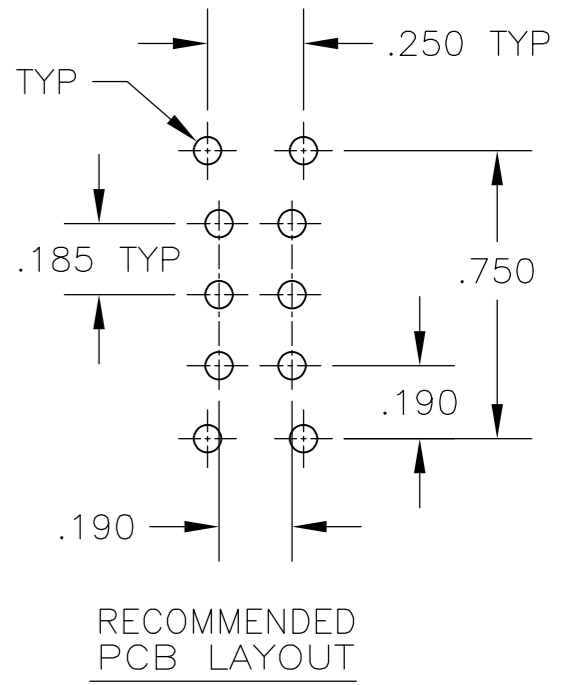
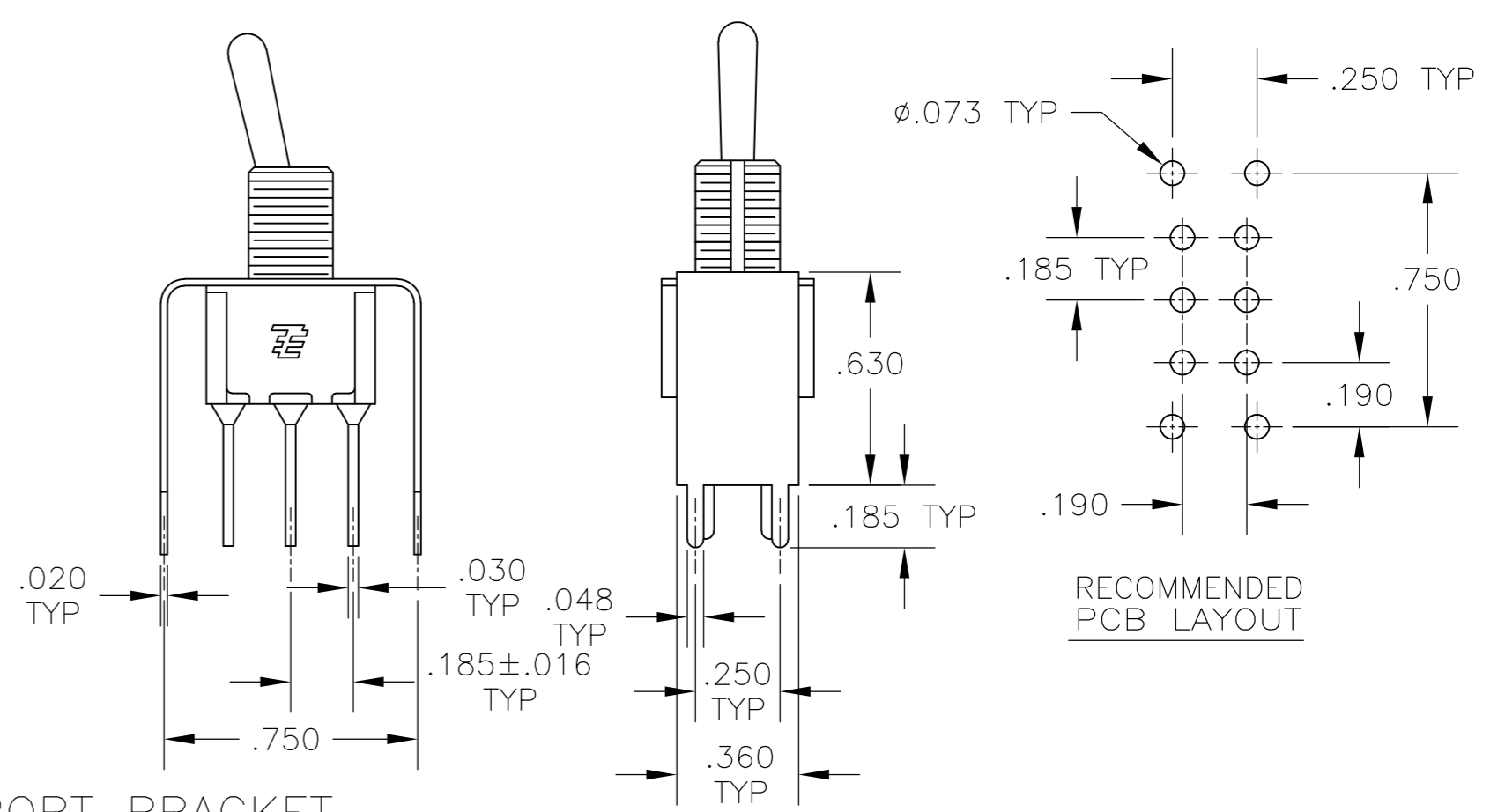


| OPTION | DIM A |
|--------|-------|
| V30    | .460  |
| V40    | .630  |

V30 V40 VERTICAL SUPPORT BRACKET



V70 VERTICAL SUPPORT BRACKET



THIS DRAWING IS A CONTROLLED DOCUMENT. DWN M. ZITTO 14APR05

CHK M. ZITTO

APVD M. ZITTO

PRODUCT SPEC

APPLICATION SPEC

WEIGHT

CUSTOMER DRAWING

**TE** TE Connectivity

NAME GEMINI A SERIES TOGGLE SWITCH, DOUBLE POLE, 3 POSITION FUNCTIONS (03, 05, 07, 11, 13 & 15)

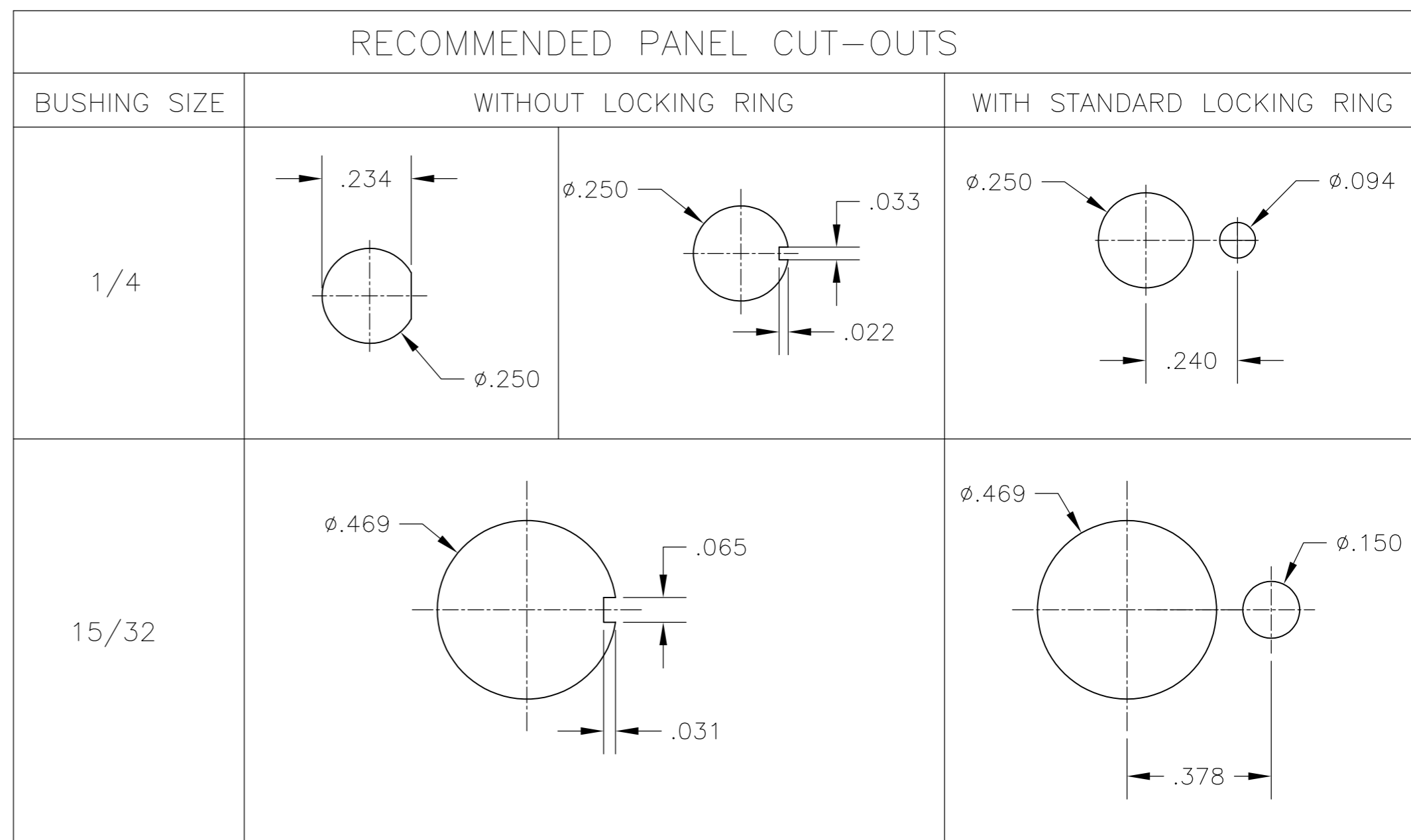
|      |           |            |               |
|------|-----------|------------|---------------|
| SIZE | CAGE CODE | DRAWING NO | RESTRICTED TO |
| A2   | 00779     | C=1825139  | -             |

SCALE 2:1 SHEET 3 of 4 REV A5

THIS DRAWING IS UNPUBLISHED. RELEASED FOR PUBLICATION  
 © COPYRIGHT - By - ALL RIGHTS RESERVED.

| REVISIONS |     |             |      |      |
|-----------|-----|-------------|------|------|
| P         | LTR | DESCRIPTION | DATE | APVD |
| -         | -   | SEE SHEET 1 | -    | -    |

| Alco P/N      | P/N         |
|---------------|-------------|
| A203KZQ04     | 1825139-1   |
| A203MD9AB04   | 1825139-2   |
| A203P3AV2Q04  | 1825139-3   |
| A203P3ZQ04    | 1825139-4   |
| A203SD9AV2B04 | 1825139-5   |
| A203SD9AV2Q04 | 1825139-6   |
| A203SDZQ04    | 1825139-7   |
| A203SYCB04    | 1825139-8   |
| A203SYCQ04    | 1825139-9   |
| A203SYZQ04    | 1-1825139-0 |
| A203T1ZQ04    | 1-1825139-1 |
| A203TZQ04     | 1-1825139-2 |
| A205KZB04     | 1-1825139-3 |
| A205P3ZQ04    | 1-1825139-4 |
| A205SD9AB04   | 1-1825139-5 |
| A205SYCB04    | 1-1825139-6 |
| A205SYCQ04    | 1-1825139-7 |
| A205SYZQ04    | 1-1825139-8 |
| A205T1ZQ04    | 1-1825139-9 |
| A205TZQ04     | 2-1825139-0 |
| A207P3ZQ04    | 2-1825139-1 |
| A207SYCB04    | 2-1825139-2 |
| A207SYCQ04    | 2-1825139-3 |
| A207SYZQ04    | 2-1825139-4 |
| A207T1ZQ04    | 2-1825139-5 |
| A207TZQ04     | 2-1825139-6 |
| A211KZB04     | 2-1825139-7 |
| A211MD9AQ04   | 2-1825139-8 |
| A211MYCQ04    | 2-1825139-9 |
| A211P3CQ04    | 3-1825139-0 |
| A211P3V40G04  | 3-1825139-1 |
| A211P3ZQ04    | 3-1825139-2 |
| A211SCWCQ004  | 3-1825139-3 |
| A211SDZQ04    | 3-1825139-4 |
| A211SHZQ04    | 3-1825139-5 |
| A211SY9AQ04   | 3-1825139-6 |
| A211SYCQ04    | 3-1825139-7 |
| A211SYZB04    | 3-1825139-8 |
| A211SYZQ04    | 3-1825139-9 |
| A211T1ZQ04    | 4-1825139-0 |
| not assigned  | 4-1825139-1 |
| A213SYZQ04    | 4-1825139-2 |
| A215SD9V30B04 | 4-1825139-3 |
| A215SY9AQ04   | 4-1825139-4 |
| A215SYZQ04    | 4-1825139-5 |
| A203LYCQ04    | 4-1825139-6 |
| A203LD9CQ04   | 4-1825139-7 |
| A203LDCQ04    | 4-1825139-8 |



### MATERIALS CHART

| COMPONENT NAME         | BASE MATERIAL             | FINISH           |
|------------------------|---------------------------|------------------|
| CASE                   | DAP, RED, UL94 V-0        |                  |
| FRAME                  | STAINLESS STEEL           |                  |
| B TERMINALS & CONTACTS | COPPER                    | GOLD OVER NICKEL |
| G TERMINALS & CONTACTS | COPPER                    | GOLD OVER SILVER |
| Q TERMINALS & CONTACTS | COPPER                    | .000400 SILVER   |
| ACTUATOR               | PHENOLIC, BLACK, UL94 V-1 |                  |
| LEVER                  | BRASS                     | CHROME           |
| BUSHING                | BRASS                     | NICKEL           |
| SPRING                 | MUSIC WIRE                |                  |
| SUPPORT BRACKET        | BRASS                     | TIN              |
| PIVOT PIN              | STEEL                     | NICKEL           |
| LOCK WASHER            | STAINLESS STEEL           |                  |
| LOCKING RING           | STAINLESS STEEL           |                  |
| NUTS                   | C3604BD BRASS             | NICKEL           |
| TERMINAL SEAL          | EPOXY                     |                  |

|   |  |                  |                  |   |
|---|--|------------------|------------------|---|
| THIS DRAWING IS A CONTROLLED DOCUMENT.  |  | DWN<br>M. ZITTO  | 14APR05          | <b>TE</b> TE Connectivity   |
| DIMENSIONS:<br>INCHES   |  | CHK<br>M. ZITTO  | APVD<br>M. ZITTO |   |
| TOLERANCES UNLESS OTHERWISE SPECIFIED:  |  | PRODUCT SPEC     |                  | NAME<br>GEMINI A SERIES TOGGLE SWITCH, DOUBLE POLE,<br>3 POSITION FUNCTIONS (03, 05, 07, 11, 13 & 15) |
| 0 PLC ± -<br>1 PLC ± -<br>2 PLC ± -<br>3 PLC ± .010<br>4 PLC ± -<br>ANGLES ± 2° |  | APPLICATION SPEC |                  | SIZE<br>A2  |
| MATERIAL  |  | WEIGHT           |                  | CAGE CODE<br>00779  |
| FINISH  |  | CUSTOMER DRAWING |                  | DRAWING NO<br>1825139   |
|   |  | SCALE<br>3:1     |                  | RESTRICTED TO<br>-  |
|   |  | SHEET<br>4 of 4  |                  | REV<br>A5   |

## X-ON Electronics

Largest Supplier of Electrical and Electronic Components

*Click to view similar products for [Toggle Switches](#) category:*

*Click to view products by [TE Connectivity](#) manufacturer:*

Other Similar products are found below :

[8928K478](#) [8A1-C-222](#) [020017-13](#) [60012L](#) [6006L](#) [CS115W](#) [CS120W](#) [6663](#) [7101SPDV30BE](#) [7103SDV30BE](#) [7105D](#) [7108P3YAV2BE](#)  
[71YY50282](#) [7300K36](#) [7301K38](#) [7306K36](#) [7310K36](#) [7506K4](#) [7592K6](#) [7660K12](#) [7691K14](#) [7700K1](#) [8391K108](#) [8396K108](#) [8811K17](#)  
[8812K14](#) [8824K14](#) [8828K13](#) [8835K3](#) [8858K44](#) [PS83-121G](#) [1-1825192-0](#) [A201SCWZB04](#) [A207SYCB04](#) [A208J61ZQ0004](#) [A221T1TCQ](#)  
[A323S1CWZQ](#) [A423S1CWZG-M8](#) [1201W](#) [12156AX408](#) [12147AGKX679](#) [12246X778](#) [12TW49-3D](#) [130312](#) [13037L](#) [13001X](#)  
[AE101MD1W4B04](#) [AE208SD1W4B04](#) [MS24659-22D](#) [MS27407-5](#)