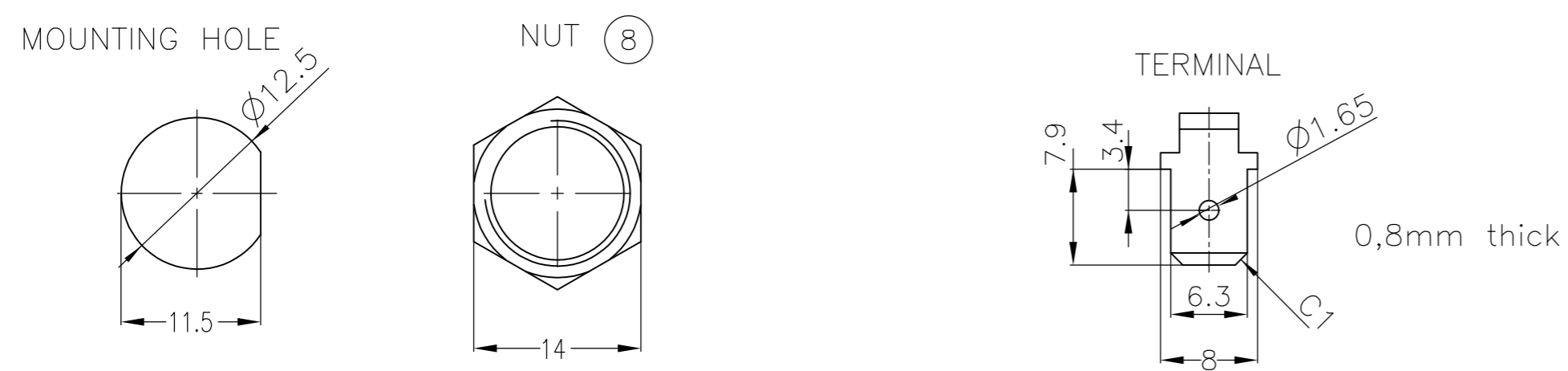
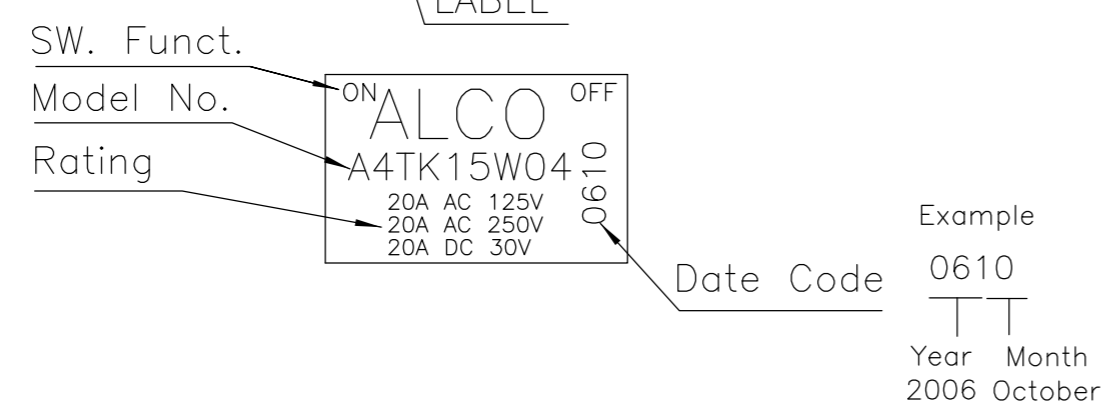
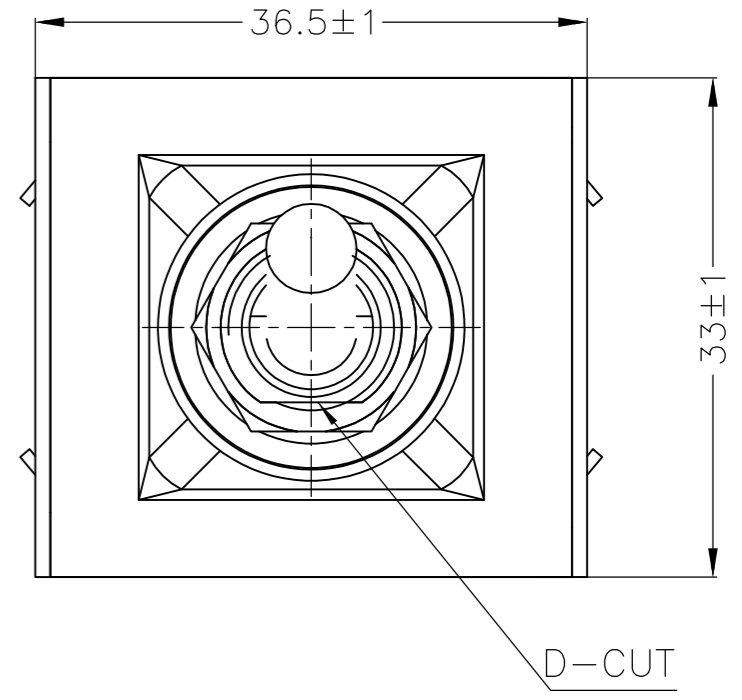
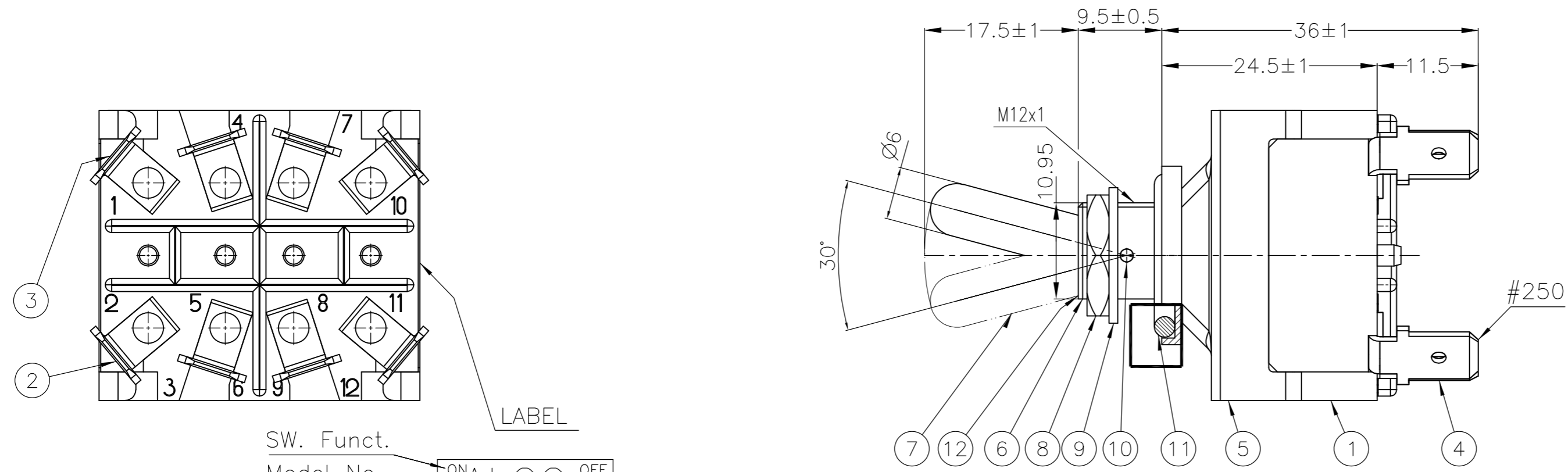


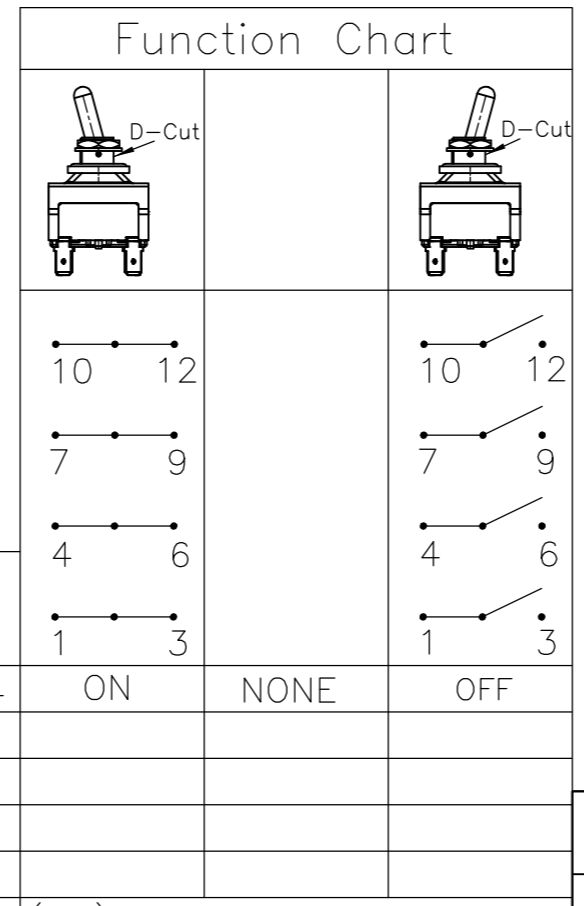
THIS DRAWING IS UNPUBLISHED. RELEASED FOR PUBLICATION
 © COPYRIGHT - By - ALL RIGHTS RESERVED.

LOC		DIST		REVISIONS			
P	LTR	DESCRIPTION	DATE	DWN	APVD		
B		REVISED PER ECO-13-015855	12OCT2013	KH	RH		



- 1 OPERATING TEMPERATURE -20°C TO +70°C
- 2 OPERATING FORCE MAX29.4N
- 3 ALL MATERIALS AND FINISHES COMPLY WITH ROHS DIRECTIVE

Specifications				
Rating	Initial Contact Resistance	Insulation Resistance	Dielectric Strength	Endurance
AC 125V 20A AC 250V 20A DC 30V 20A	MAX 10 milliohms at DC 2~4V 1A	MIN 1000 M Ohms at DC 500V	AC 1,5kV/1 min (AC 1,8kV/1 sec)	Electrically 20.000 cycles at 20 cycles/min (rated load resistive) Mechanically 40.000 cycles at 20 cycles/min



TE PN	Part	ON	NONE	OFF
8-6437630-0	A4TK15W04			

Materials Chart			
1	Case	Phenol Resin	Black
2	F Contact	Silver alloy + Copper	
3	Common	C2700W	
4	Terminal	C2680R	
5	Frame	SPCC	EP-Fe/Zn4/CM
6	Bushing	C3602BD	EP-Cu/Ni3,Cr1b
7	Actuator	C3602BD	Ep-Cu/Ni3
8	Nut	C3602BD	Ep-Cu/Ni3b
9	L Washer	SK	Ep-Fe/Ni3b
10	Shaft	SUS	
11	Rubber seal	Rubber	Black
12	Insert molded rubber	Waterproofing Rubber	Transparent
PART NO:		PART NAME:	
		MATERIAL/SURFACE:	
		OPTIONAL DESCRIPTION	
PART LIST			
TOLERANCES UNLESS OTHERWISE SPECIFIED ACCORDING TO ISO 8015 and ISO 2768-f			

THIS DRAWING IS A CONTROLLED DOCUMENT.

DWN	WEIDEN	11JUL2007
CHK	-	-
APVD	-	-
PRODUCT SPEC	-	-
APPLICATION SPEC	-	-
WEIGHT	-	-
CUSTOMER DRAWING	SCALE 1:1	SHEET 1 of 1

TE Connectivity
 POWER TOGGLE SWITCH QUAD POLE
 PANEL MOUNTING WATERTIGHT

SIZE A2 CAGE CODE 00779 DRAWING NO. C=1968503 RESTRICTED TO -

(ON) : momentary action
 OFF : mechanical position without electrical connection
 NONE : no mechanical position

X-ON Electronics

Largest Supplier of Electrical and Electronic Components

Click to view similar products for [Toggle Switches](#) category:

Click to view products by [TE Connectivity](#) manufacturer:

Other Similar products are found below :

[8928K478](#) [8A1-C-222](#) [020017-13](#) [60012L](#) [6006L](#) [CS115W](#) [CS120W](#) [6663](#) [7101SPDV30BE](#) [7103SDV30BE](#) [7105D](#) [7108P3YAV2BE](#)
[71YY50282](#) [7300K36](#) [7301K38](#) [7306K36](#) [7310K36](#) [7506K4](#) [7592K6](#) [7660K12](#) [7691K14](#) [7700K1](#) [8391K108](#) [8396K108](#) [8811K17](#)
[8812K14](#) [8824K14](#) [8828K13](#) [8835K3](#) [8858K44](#) [PS83-121G](#) [1-1825192-0](#) [A201SCWZB04](#) [A207SYCB04](#) [A208J61ZQ0004](#) [A221T1TCQ](#)
[A323S1CWZQ](#) [A423S1CWZG-M8](#) [1201W](#) [12156AX408](#) [12147AGKX679](#) [12246X778](#) [12TW49-3D](#) [130312](#) [13037L](#) [13001X](#)
[AE101MD1W4B04](#) [AE208SD1W4B04](#) [MS24659-22D](#) [MS27407-5](#)