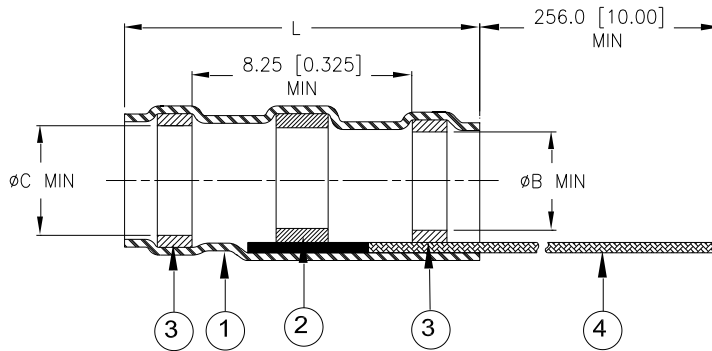


# CUSTOMER DRAWING



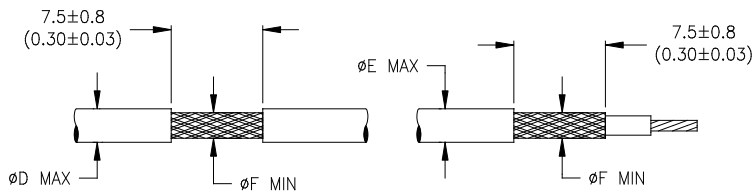
Product Name	Ident. Code	Product Dimensions			Cable Dimensions		
		L±1.75 (L±0.070)	øB min	øC min	øD max	øE max	øF min
S200-1-01-100HN	S2001R	16.50 (0.650)	1.90 (0.075)	2.67 (0.105)	1.90 (0.075)	2.67 (0.105)	0.90 (0.035)
S200-2-01-100HN	S2002R	16.50 (0.650)	2.67 (0.105)	3.68 (0.145)	2.67 (0.105)	3.68 (0.145)	1.40 (0.055)
S200-3-01-100HN	S2003R	16.50 (0.650)	4.32 (0.170)	5.08 (0.200)	4.32 (0.170)	5.08 (0.200)	2.15 (0.085)
S200-4-01-100HN	S2004R	19.10 (0.750)	5.97 (0.235)	6.48 (0.255)	5.97 (0.235)	6.48 (0.255)	3.30 (0.130)
S200-5-01-100HN	S2005R	19.10 (0.750)	6.98 (0.275)	7.62 (0.300)	6.98 (0.275)	7.62 (0.300)	4.30 (0.170)

## MATERIALS

- INSULATION SLEEVE: Heat-shrinkable, transparent blue, radiation cross-linked modified fluoropolymer.
- SOLDER PREFORM WITH FLUX AND THERMAL INDICATOR:  
 SOLDER: TYPE Sn96 per ANSI / J-STD-006.  
 FLUX: TYPE ROM1 per ANSI / J-STD-004.  
 THERMAL INDICATOR: Fusible ring.
- MELTABLE SEALING RINGS: Environment resistant modified thermoplastic fluoropolymer. Color: light blue.
- PRE-INSTALLED BRAID: Nickel-plated copper strands per ASTM-B355 Class 7. CMA 640.

## APPLICATION

- These parts are designed to provide an environment protected shield termination on cables, rated for 150°C minimum, meeting the dimensional criteria listed, having silver or nickel-plated shields.
- Install using Tyco Electronics approved convection or infrared heating tools in accordance with Tyco Electronics process standard RCPS-100-71. When installed with approved convection or infrared heating tools, assemblies will meet the performance requirements of SAE AS83519. Infrared tools are not recommended for use with black cable jackets.
- Parts shall be marked with identification code per table.
- Temperature range: -65°C to +200°C.
- For best results, prepare the cable as shown:



		Tyco Electronics 305 Constitution Dr Menlo Park, CA 94025, U.S.A.		TITLE: <b>SOLDERSLEEVE SHIELD TERMINATOR WITH PRE-INSTALLED BRAID, 200 DEG C, ROHS COMPLIANT</b>	
Unless otherwise specified dimensions are in millimeters. [Inches dimensions are shown in brackets]			<b>Raychem</b>		DOCUMENT NO.:
			<b>S200-X-01-100HN</b>		
TOLERANCES: 0.00 N/A 0.0 N/A 0 N/A	ANGLES: N/A ROUGHNESS IN MICRON	Tyco Electronics reserves the right to amend this drawing at any time. Users should evaluate the suitability of the product for their application.		REV: <b>C</b>	DATE: <b>23-Mar-2016</b>
DRAWN BY: <b>P.TALLY</b>	CAGE CODE: <b>06090</b>	REPLACES: <b>D050441</b>	ECO NUMBER: <b>-16-007432</b>	SCALE: <b>NTS</b>	SIZE: <b>A</b> SHEET: <b>1 of 1</b>

## X-ON Electronics

Largest Supplier of Electrical and Electronic Components

*Click to view similar products for [Solder & Shield Tubing](#) category:*

*Click to view products by [TE Connectivity](#) manufacturer:*

Other Similar products are found below :

[CTC-0062-20-9/5-9](#) [CTC-0062-22-9/5-9](#) [650076N001](#) [680441-000](#) [D-150-0331CS2902](#) [D-181-1222-90/9CS2800](#) [D-300-01CS1108](#) [982127-1](#) [D-436-0127CS391](#) [D-436-0182CS246](#) [D-436-37CS2651](#) [D-436-58CS246](#) [D-436-61CS246](#) [D-436-82-CS2621](#) [D-659-0087](#) [D-750-0005CS2493](#) [E53797N001](#) [S200-2-01](#) [S200-4-00CS2904](#) [LSS-81-16AA-CS5575](#) [SO63-2-9036-22CS2677](#) [SO63-3-01CS293](#) [SO63-3-9036-20CS2677](#) [SO63-3-9036-22CS2677](#) [SO63-4-9036-20CS2677](#) [SO63-5-9036-22CS2677](#) [CC1525-000](#) [CTA-0025](#) [CTA-0025CS072](#) [D-108-01CS227](#) [D-108-07CS436](#) [D-128-0010](#) [D-141-0108CS404](#) [D-142-51-202-7754](#) [D-144-41CS1371](#) [D-150-0231-NRCS2896](#) [B-801-18-01](#) [B-801-58](#) [515-9](#) [C67137-000](#) [D-436-36CS2908](#) [D-436-37CS2908](#) [D-436-52CS246](#) [D-436-83CS2705](#) [D-438-0102](#) [LSS-26-8A](#) [427243-000](#) [D-106-2012](#) [D-300-08CS1108](#) [UWCS-2U/7.6-1C/5.8](#)