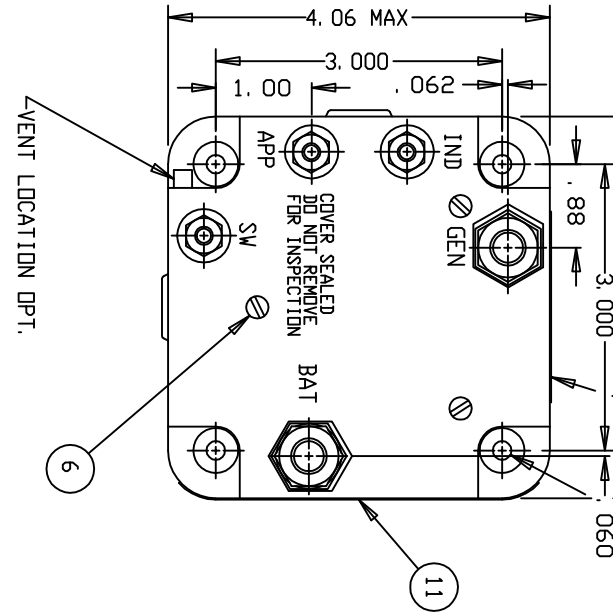


REV.	DESCRIPTION	DATE	APPROVED
A	ADDED .06 & 1.00 DIM'S	04/03/31	RS
B	0691-04 REMOVED PRELIMINARY. ADDED TYCO P/N	04/08/30	CB
C	0691-04 REMOVED ITEM 12, 13 BALDONS	04/12/09	JMK
D	12-011320 ITEM 11 WAS 39529-001 OVERLAY	12/06/18	MDM

(REMOVE FINISH FROM BOTH SIDES OF THE .44 DIA)

1 LOCATION OPTIONAL
 .196 ± .010 DIA. HOLE
 4 MTG. HOLES



CONSTRUCTION
 MAIN CONTACTS
 CONFIGURATION
 VOLTAGE
 CURRENT

GASKET SEALED (VENTED)

SPST N. D.
 28 VDC
 400 AMP
 1000 AMP FDR 30 SEC
 1500 AMP INRUSH

0.5 +/- 0.15 VDC
 25-50 AMPS

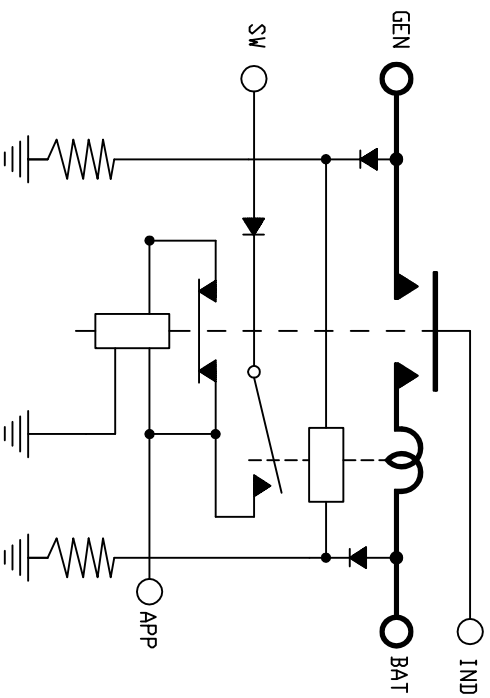
DIFF. PICKUP
 REV. I DROPOUT

COIL DATA
 VOLTAGE
 PICKUP
 PULL THROUGH
 DROPOUT
 RESISTANCE AT 25°C
 PICKUP
 HOLDING
 PEAK INRUSH
 DUTY

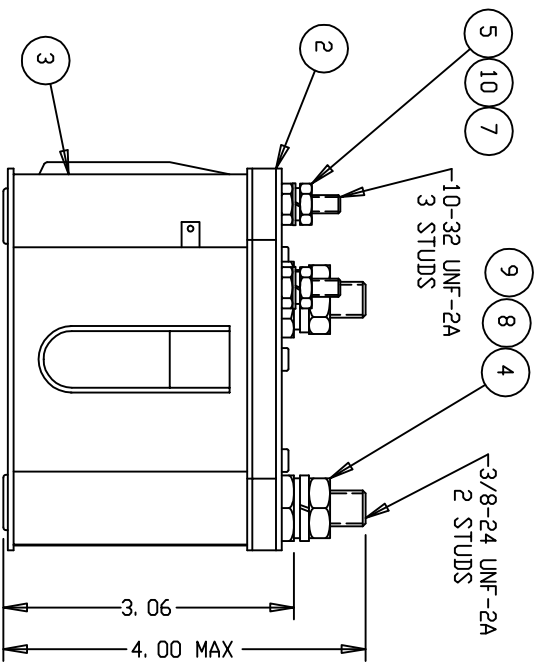
7.5 OHM +/- 20%
 80 OHM +/- 20%
 3 AMP MAX
 CONTINUOUS ECONOMIZING

AMBIENT TEMPERATURE
 LIFE ELECTRICAL
 WEIGHT

-55°C TO +71°C
 50,000 CYCLES MIN
 3 LBS., 10 OZ.



NOTES:
 1. DESIGNED TO MEET THE APPLICABLE PORTIONS OF MIL-C-5026 AND MIL-R-6106.
 2. MOUNTING SURFACE SHALL PROVIDE ELECTRICAL GROUND



QTY	PART DR	IDENTIFYING NO	NAME	PLATE	DR	DATE	BY	CHK	ENG	MFG	SIZE	CODE	IDENT	SCALE	INDIC	SHEET
11	1	148336-001	WASHER - LOCK, NO. 10 SPLIT	STEEL												
10	3	51810-031	WASHER - LOCK 3/8 X .688 X .094 SPLIT	STEEL												
9	2	51807-071	WASHER - 5/8 X .390 X .064	STEEL												
8	2	51704-161	WASHER - 7/16 X 13/64 X .032	STEEL												
7	3	51702-851	SCREW - 4 X 1/4 PAN HD. SHT. MTL.	S. STEEL												
6	3	51200-020	NUT - 10-32 X 3/8 X 1/8 HEX.	BRASS												
5	3	50410-086	NUT - 3/8-24 X 5/8 X 7/32 HEX.	BRASS												
4	2	50407-166	PLATE - BASE COVER													
3	1	33491-010	PRIMARY ASSEMBLY													
2	1	33254-003	PLATE - NAME													
1	1	16043-001	PLATE - NAME													

UNLESS OTHERWISE SPECIFIED
 DIMENSIONS ARE IN INCHES
 TOLERANCES IN

± .06 ± .010 ± 1

2 PL. DEC. 3 PL. DEC. ANGLES

MATERIAL

DR BY RCB 04/03/31
 CHK BY CB 04/03/31
 ENGR RSS 04/03/31
 MFG MH 04/03/31

SIZE C 74063

SCALE NONE SHEET

Hyper Electronics
 12 HortonTM Blvd. con-175 N. DIAMOND STREET MAHFELD, OHIO 44902

CUTOUT-REVERSE CURRENT
 400 AMP - 28VDC 093

DWG NO. A-701DA

REF TE P/N 1-1616941-2

X-ON Electronics

Largest Supplier of Electrical and Electronic Components

Click to view similar products for [General Purpose Relays](#) category:

Click to view products by [TE Connectivity](#) manufacturer:

Other Similar products are found below :

[PCN-105D3MH,000](#) [59641F200](#) [5JO-1000CD-SIL](#) [LY1SAC110120](#) [5X827E](#) [5X837F](#) [5X840F](#) [5X842F](#) [5X848E](#) [LY2N-AC120](#) [LY2S-AC220/240](#) [LY2-US-AC120](#) [LY3-US-AC120](#) [LY4F-UA-DC12](#) [LY4F-UA-DC24](#) [LY4F-US-AC120](#) [LY4F-US-AC240](#) [LY4F-US-DC24](#) [LY4F-VD-AC110](#) [LYQ20DC12](#) [M115C60](#) [M115N010](#) [M115N0150](#) [6031007G](#) [603-12D](#) [61211T0B4](#) [61212T400](#) [61222Q400](#) [61243B600](#) [61243C500](#) [61243Q400](#) [61311BOA2](#) [61311BOA6](#) [61311BOA8](#) [61311C0A2](#) [61311COA1](#) [61311COA6](#) [61311F0A2](#) [61311QOA1](#) [61311QOA4](#) [61311T0D6](#) [61311TOA6](#) [61311TOA7](#) [61311TOB3](#) [61311TOB4](#) [61311U0A6](#) [61312Q600](#) [61312T400](#) [61312T600](#) [61313U200](#)