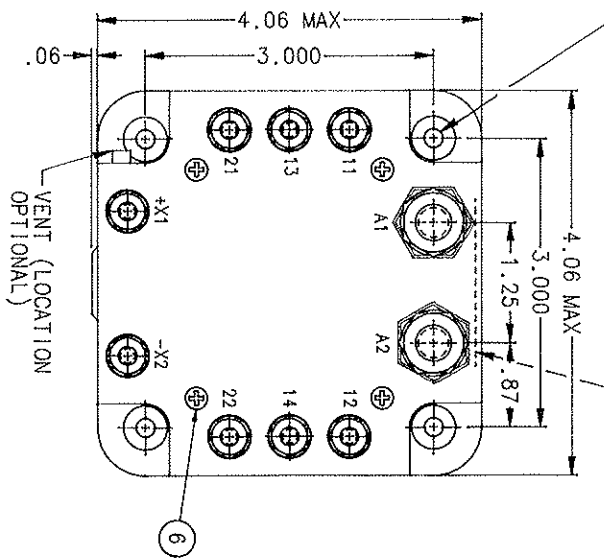


REV	DATE	APPROVED
D	96/08/17	RS
E	97/01/14	RS

FAA/PMA

REV	DESCRIPTION	RELEASED
D	30763 REDRAWN. FIND NOS 11 & 12 ADDED.	96/08/17
E	31784 COIL CIRCUIT REDRAWN. UPDATE COIL RESISTANCE AND P/L.	97/01/14

1964.005 DIA HOLE  
4 MTG HOLES  
1 (2) (LOCATION OPTIONAL)



CONSTRUCTION MAIN CONTACTS  
VOLTAGE (NOMINAL)  
CURRENT

AUXILIARY CONTACTS  
CONFIGURATION  
VOLTAGE  
CURRENT RES.

COIL DATA  
DUTY CYCLE  
MAX OPERATE  
MIN OPERATE  
PICKUP AT 25°C  
DROPOUT  
RESISTANCE AT 25°C  
PICKUP  
DROPOUT  
SUPPRESSION

ENVIRONMENTAL DATA  
AMBIENT TEMP.  
LIFE ELECTRICAL  
LIFE MECHANICAL  
WEIGHT MAX. (EST.)

GASKET SEALED (VENTED)  
SPST N.O.  
28 VDC  
400 AMP  
1500 AMP INRUSH

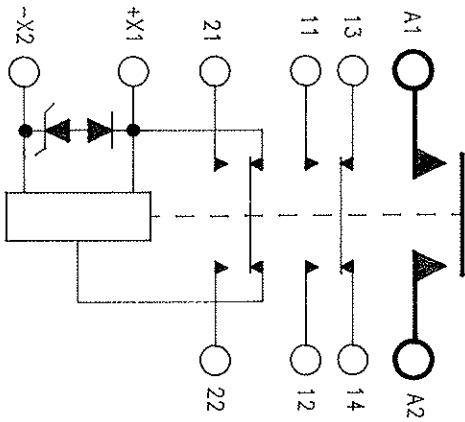
SPST NO FORM Z OPERATE BEFORE MAINS CLOSE  
28 VDC  
5 AMP

CONTINUOUS (ECONOMIZING)  
24 VDC  
18 VDC  
12 V MAX  
0.5 - 7 V.

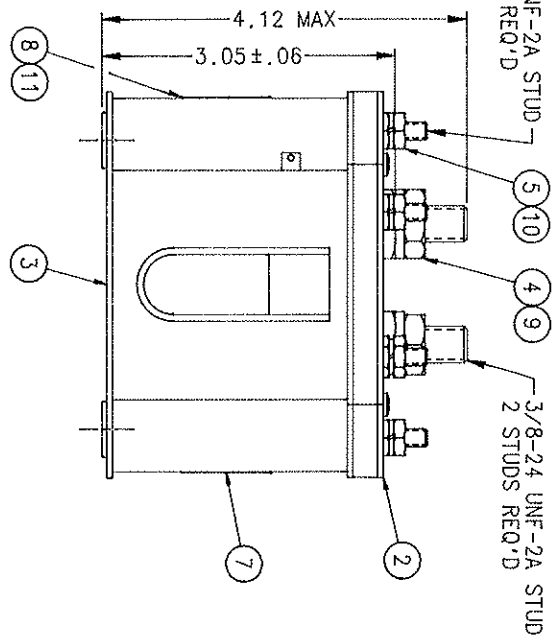
16 OHM  
91 OHM  
45V PEAK

-55°C TO +71°C MAX  
50,000 CYCLES MIN.  
100,000 CYCLES  
2 LBS. 8 OZ.

- NOTES:
- THIS UNIT MEETS THE MATERIAL AND WORKMANSHIP REQUIREMENTS OF MIL-R-6106.
  - MOUNTING SURFACE SHALL PROVIDE ELECTRICAL GROUND.



CONFIGURATION CONTROLLED



FIND NO	QTY	RECD	IDENTIFYING NO	PART OR NO	NOMENCLATURE OR DESCRIPTION	FSCAL NO	DRAWING OR SPECIFICATION	MATERIAL OR NOTE
12	1		39529-001		OVERLAY - NAME PLATE			
11	1		39529-024		OVERLAY - FAA/PMA			
10	8		51810-054		WASHER-LOCK NO. 10 X .337 X .047 SPLIT		AN935B10	BRONZE
9	2		51807-084		WASHER-LOCK 3/8 X .688 X .094 SPLIT		AN935B616	BRONZE
8	1		58400-011		PLATE - FAA/PMA			
7	1		17959-001		PLATE - WARNING			
6	4		51200-020		SCREW-NO. 4 X 1/4 SHEETMETAL			S. STEEL
5	8		50410-084		NUT-10-32 X 3/8 X 1/8 HEX.		AN345B10	BRASS
4	2		50407-164		NUT-3/8-24 X 5/8 X 7/32 HEX.		AN345B616	BRASS
3	1		33273-050		RELAY ASSEMBLY - PRI.			
2	1		32060-001		PLATE-BASE COVER			
1	1		16043-001		PLATE - NAME			

HARTMAN ELECTRICAL MANUFACTURING  
MAANSFIELD, OHIO

CONTACTOR SPST NO  
400 AMP, 28 VOLTS

UNLESS OTHERWISE SPECIFIED DIMENSIONS ARE IN INCHES TOLERANCES IN	
2 PL DEC. 3 PL DEC. ANGLES	*.06 * .010 * .1*
REF	BRITISH AERO SPACE
DR BY	DLM 97/01/14
CHK BY	RS 97/01/15
ENGR	DM 97/01/14
MFG	97/01/14
RELEASE	97/01/14
CONTR NO.	
GOVT APPV	
SIZE	CODE IDENT DWG NO.
C	74063 A-703ZS
SCALE	1:2 SHEET

10-32 UNF-2A STUD  
8 STUDS REQ'D

3/8-24 UNF-2A STUD  
2 STUDS REQ'D

## X-ON Electronics

Largest Supplier of Electrical and Electronic Components

*Click to view similar products for* [Contactors - Electromechanical category:](#)

*Click to view products by* [TE Connectivity manufacturer:](#)

Other Similar products are found below :

[6-1618400-7](#) [686-117111](#) [686-120111](#) [686-924](#) [686-948](#) [70-901](#) [70-914](#) [MB-3D-6](#) [MC-22A/4-AC120V](#) [8-1616943-9](#) [8-1672124-5](#)  
[A40-30-10-84](#) [120-905](#) [A701U](#) [120-904](#) [1393132-9](#) [154-905](#) [154-912](#) [154-913](#) [154-915](#) [154-902](#) [154-910](#) [AVR743D](#) [B6-40-00-84](#) [B7-40-00-84](#) [1616017-5](#) [1616021-1](#) [MVDILM](#) [HP-11D-24](#) [P25-E5019-1](#) [P30C47A12D1-120](#) [P40C47A12D1-120](#) [P40P47D13P1-24-01](#) [CA7-12-10-240](#) [CA7-72-00-24Z](#) [90-162](#) [9-1393132-2](#) [2NC4F0222](#) [A275KXXV2-120VAC](#) [ACC338UMM20](#) [AF80-30-11-13](#) [SZ-B1](#) [CGC-9A-120](#) [3GC2H0M22](#) [3NC0T0A22](#) [3NC1Q0A22](#) [3NC2H0A22](#) [3NC2T0122/SE](#) [3TF3400-0BB4](#) [MC-12B-DC24V](#)