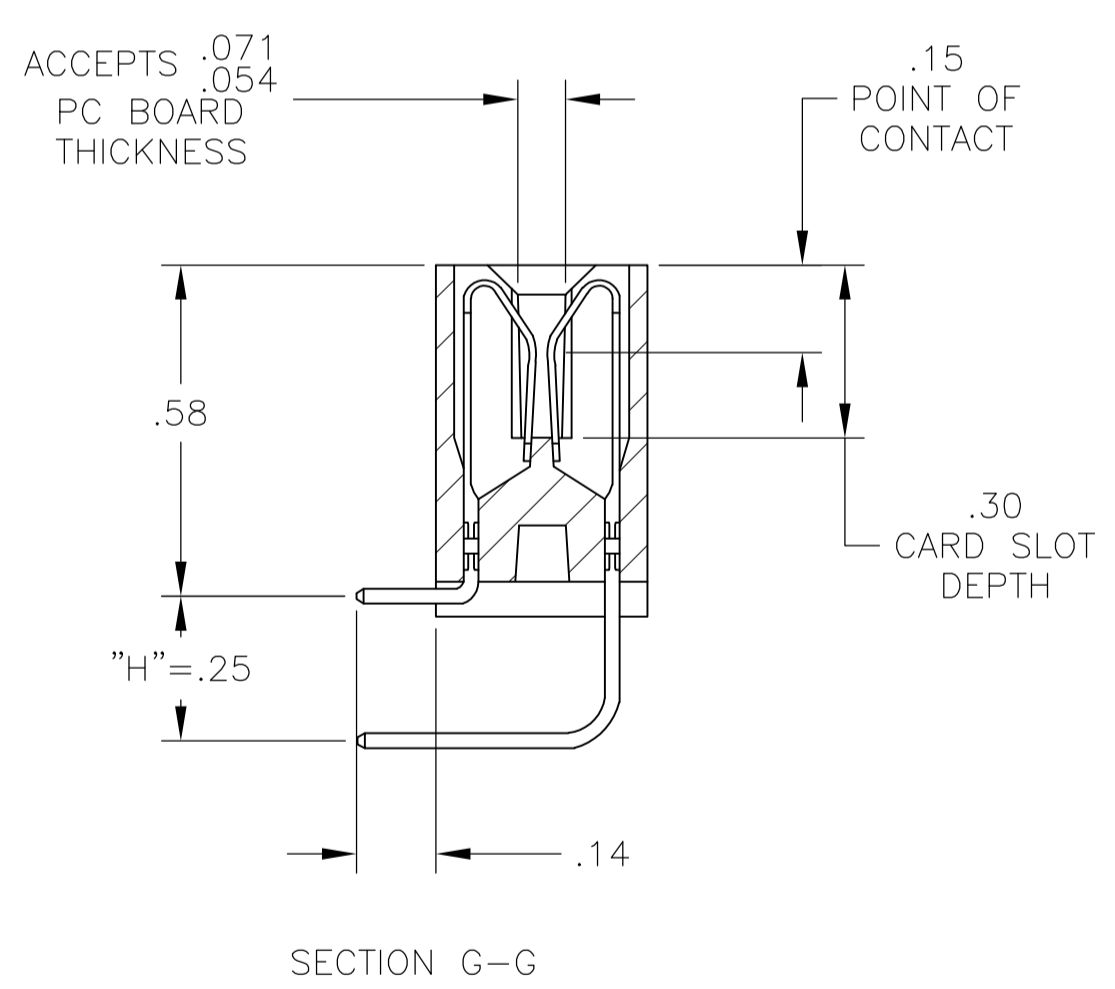
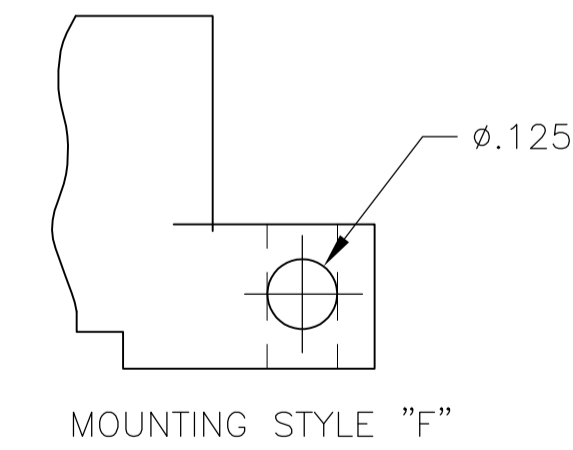
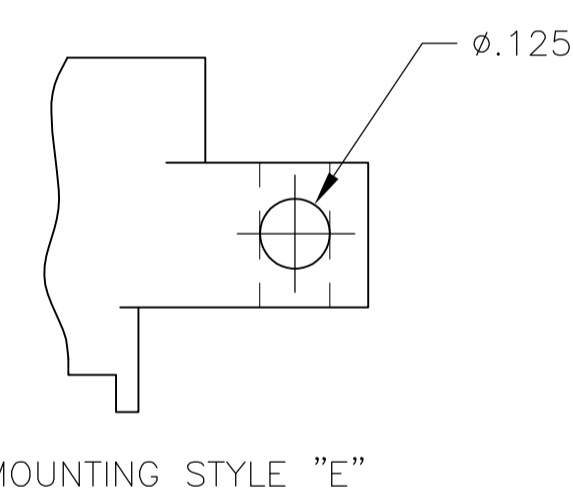
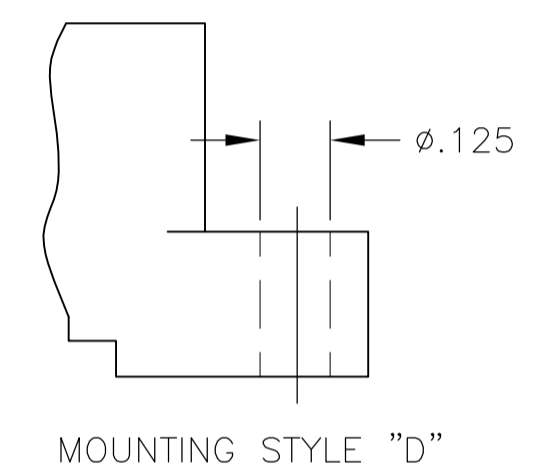
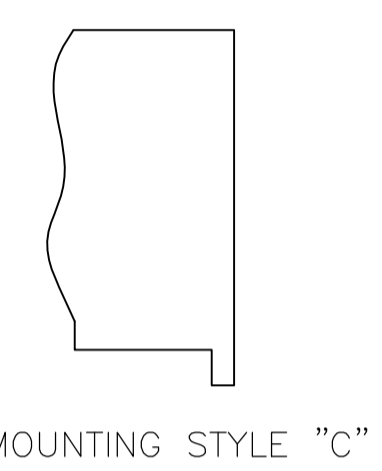
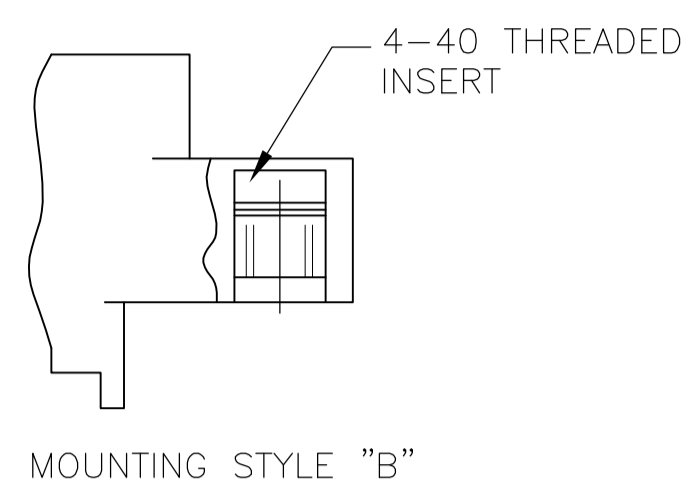
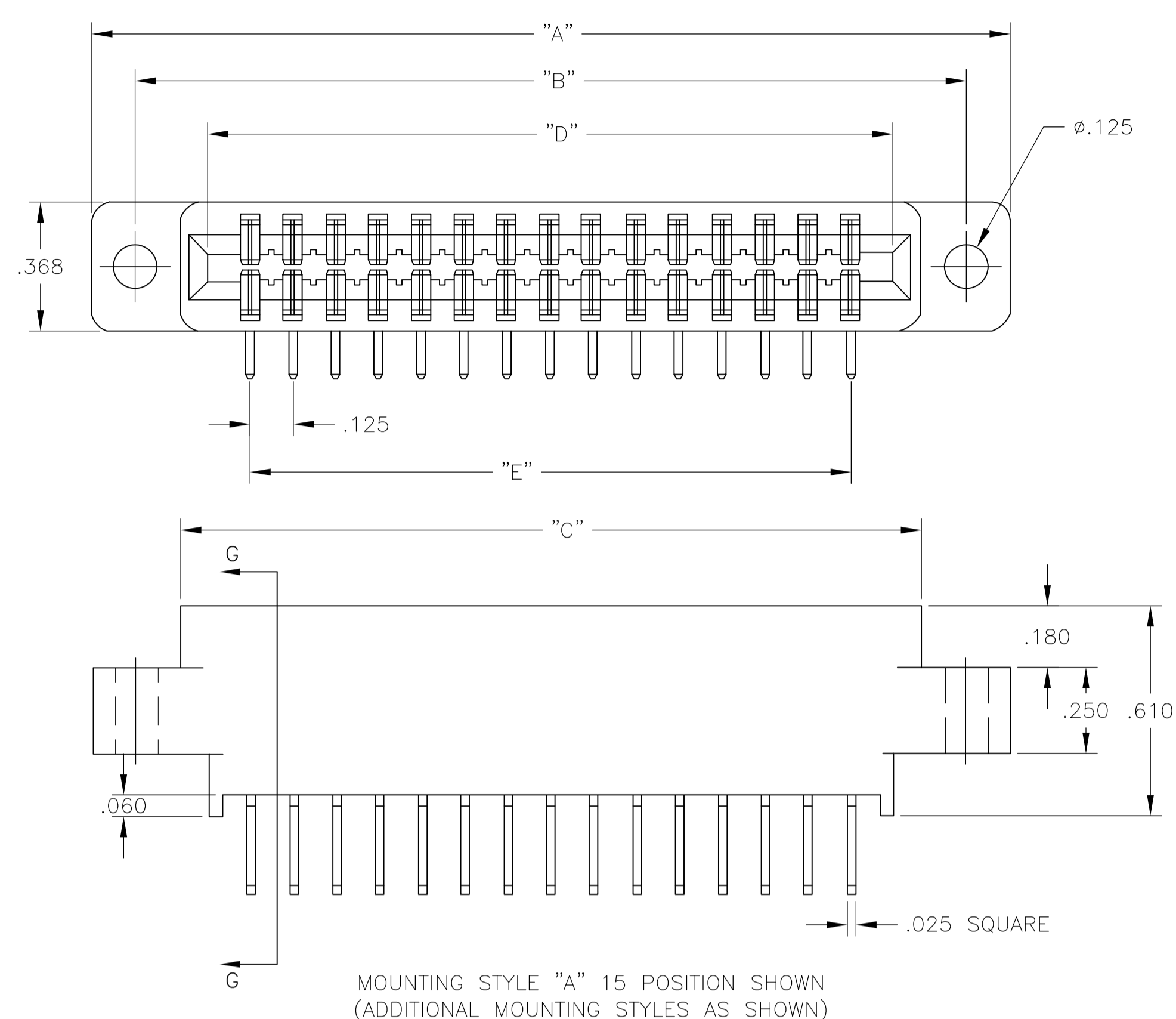


REVISIONS					
P	LTR	DESCRIPTION	DATE	DMN	APVD
B		REVISED PER ECO-16-016569	20JAN2017	SY	SY



PHYSICAL PROPERTIES	
INSULATION MATERIAL	GLASS FILLED THERMOPLASTIC RATED 94V-0
COLOR	BLACK
CONTACT MATERIAL	HIGH STRENGTH COPPER ALLOY
CONTACT PLATING	MATING AREA - GOLD OVER NICKEL TAIL AREA - TIN/LEAD
ELECTRICAL PROPERTIES	
CURRENT RATING	3 AMPERES
INSULATION RESISTANCE	5000 MEGOHMS MINIMUM
DIELECTRIC STRENGTH	1000 VDC AT SEA LEVEL
ENVIRONMENTAL PROPERTIES	
TEMPERATURE RATING	-40°C TO +100°C
MECHANICAL PROPERTIES	
MATING FORCES	8 OZ/PAIR MAX.
UNMATING FORCES	2 OZ/PAIR MIN.

CATALOG NUMBER CODE DESCRIPTION

SERIES DESIGNATOR (A7 D ** RA 29 * M***)
 (.125 X .250)
 DOUBLE READOUT
 NUMBER OF CONTACT ROWS (06,10,15,18,22,25,28,30,35,36,40,43,50)
 TERMINATION STYLE (RIGHT ANGLE DIP SOLDER)
 CONTACT PLATING (GOLD/TIN-LEAD OR MATTE TIN)

SPECIAL OR CUSTOMER MODIFICATION "M" FOLLOWED BY NTHREE DIGIT FACTORY ASSIGNED NUMBER

MOUNTING STYLE
 A = .129 DIA MOUNTING HOLES
 B = 4-40 THREADED INSERTS
 C = WITHOUT MOUNTING EARS
 D = FLUSH MOUNT/.125 DIA MOUNTING HOLES
 E = CROSS-DRILLED STANDARD EAR
 F = CROSS-DRILLED FLUSH MOUNT EAR

POLARIZING KEY AVAILABLE CAT. NO. "98014-01"

50	102	7.055	6.795	6.535	6.379	6.125
43	88	6.180	5.920	5.660	5.504	5.250
40	82	5.805	5.545	5.285	5.129	4.875
36	74	5.305	5.045	4.785	4.629	4.375
35	72	5.180	4.920	4.660	4.504	4.250
30	62	4.555	4.295	4.035	3.879	3.625
28	58	4.305	4.045	3.785	3.629	3.375
25	52	3.930	3.670	3.410	3.254	3.000
22	46	3.555	3.295	3.035	2.879	2.625
18	38	3.055	2.795	2.535	2.379	2.125
15	32	2.680	2.420	2.160	2.004	1.750
10	22	2.055	1.795	1.535	1.379	1.125
06	14	1.555	1.295	1.035	.879	.625
NUMBER OF CONTACT ROWS	NUMBER OF CONTACTS	DIM "A"	DIM "B"	DIM "C"	DIM "D"	DIM "E"

THIS DRAWING IS A CONTROLLED DOCUMENT.

DIMENSIONS: INCHES

TOLERANCES UNLESS OTHERWISE SPECIFIED:

0 PL	±	-
1 PL	±	-
2 PL	±	-
3 PL	±	-
4 PL	±	-
ANGLES	±	°

MATERIAL: - FINISH: -

WEIGHT: 0

CUSTOMER DRAWING

DIN: -
 CIK: -
 APVD: -

NAME: A7 CARD EDGE CONNECTOR (.125 X .250 CENTERS) RIGHT ANGLE DIP SOLDER TAILS

SIZE: A1

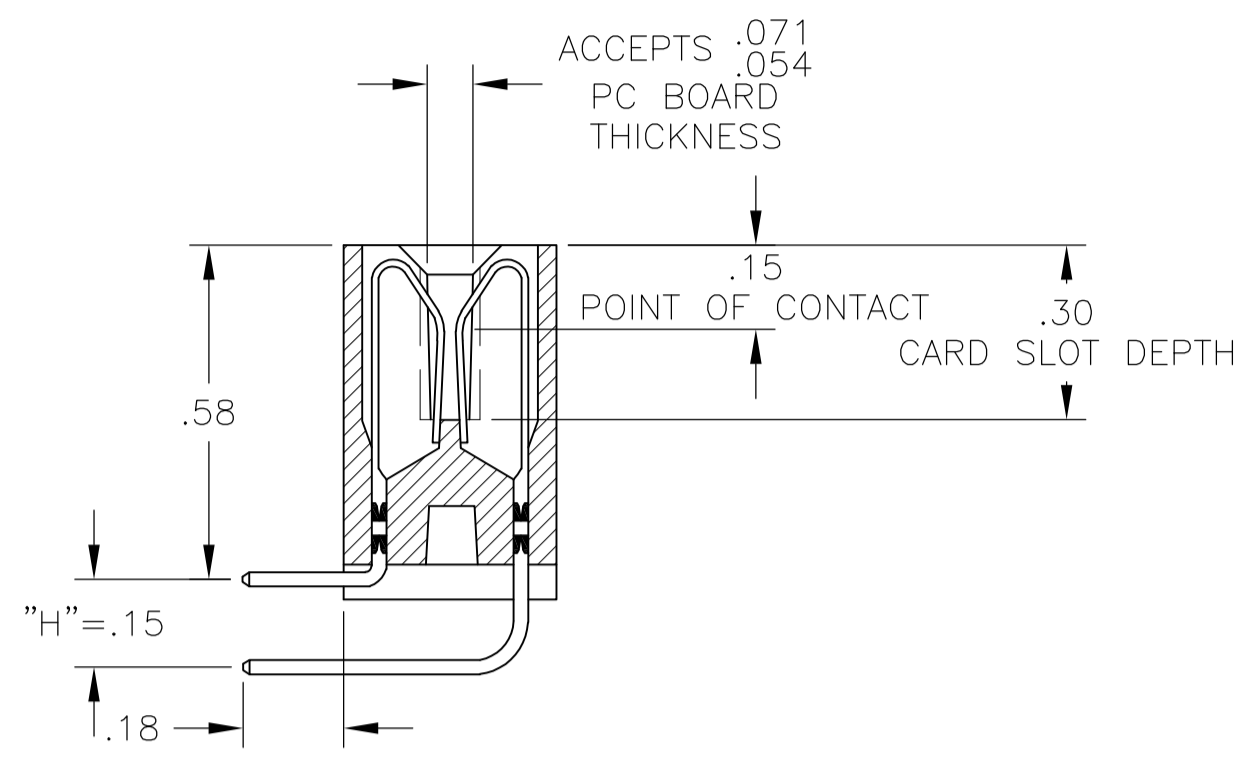
SCALE: 3:1

SHEET: 1 OF 2

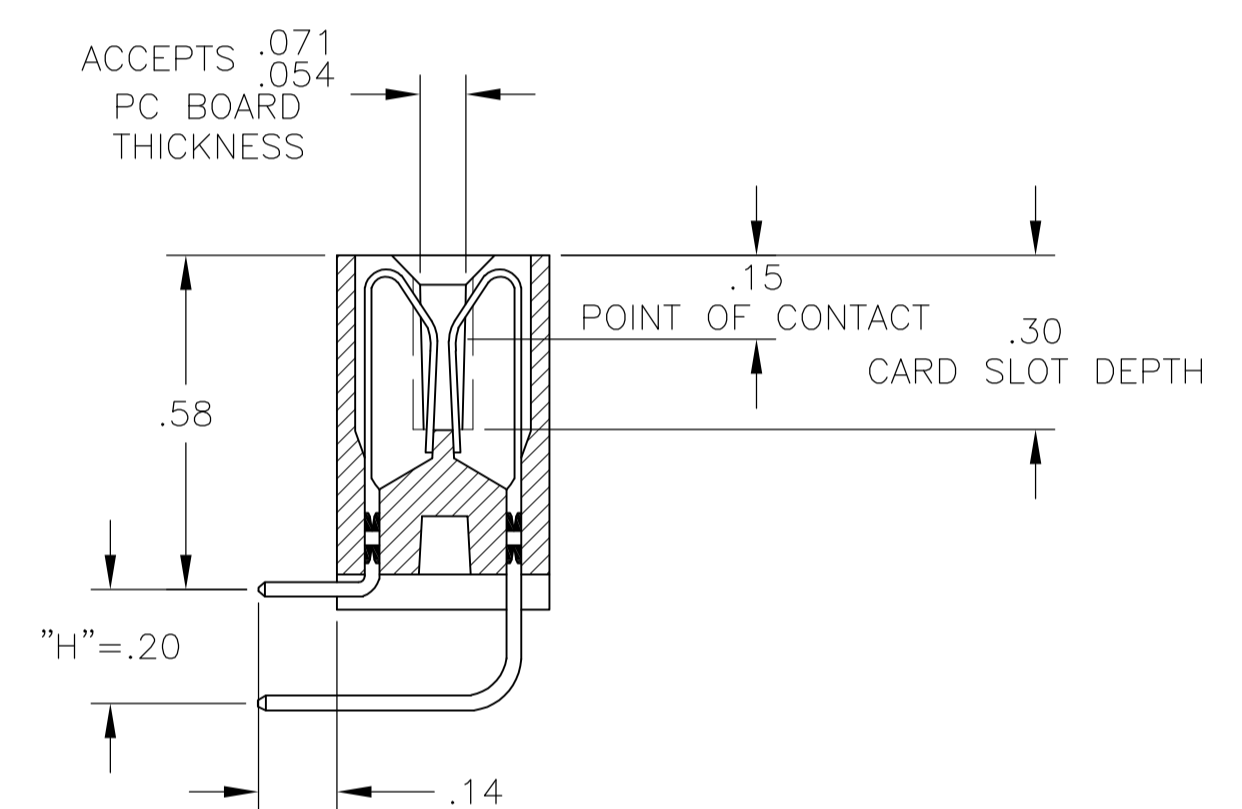
REV: B

STE TE Connectivity

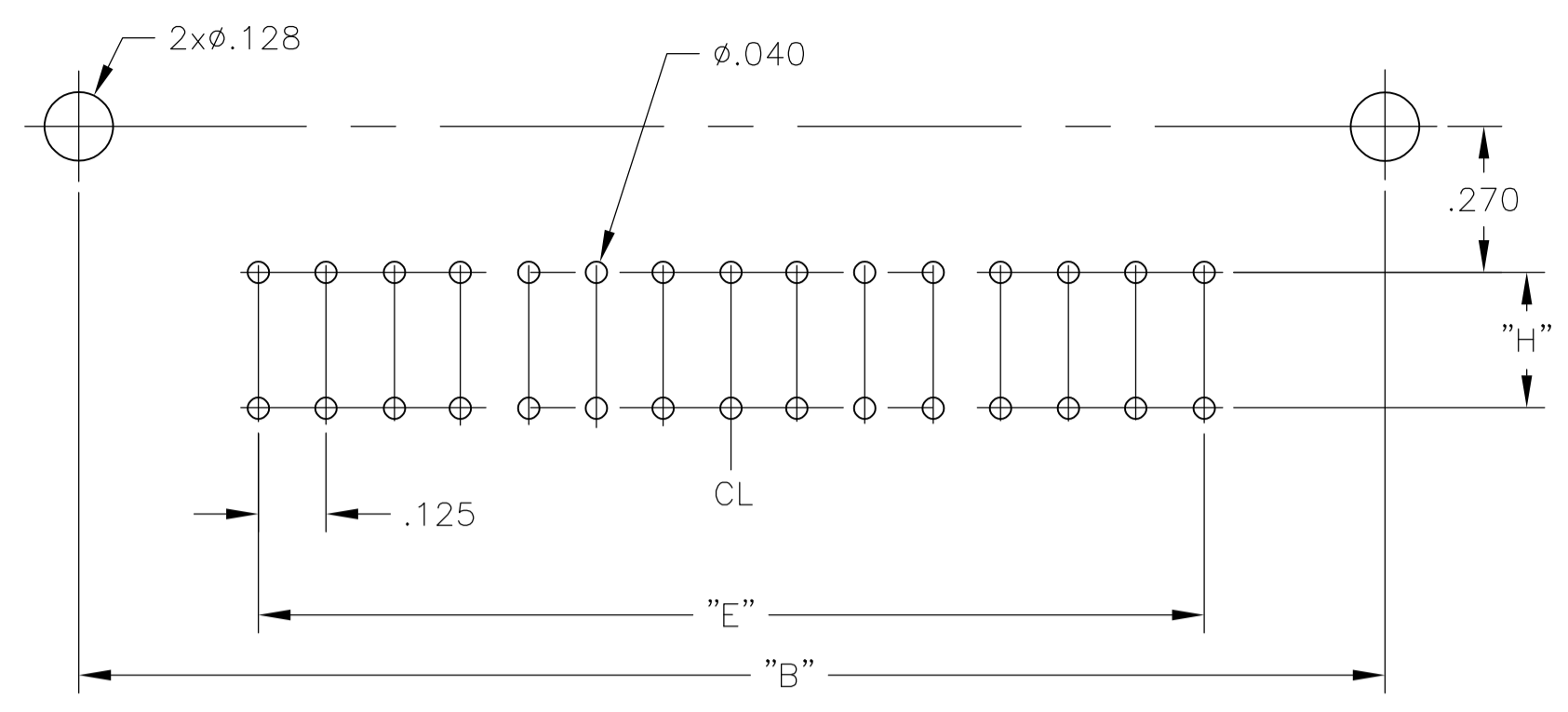
REVISIONS				
P	LTR	DESCRIPTION	DATE	APPV
-	-	SEE SHEET 1	-	-



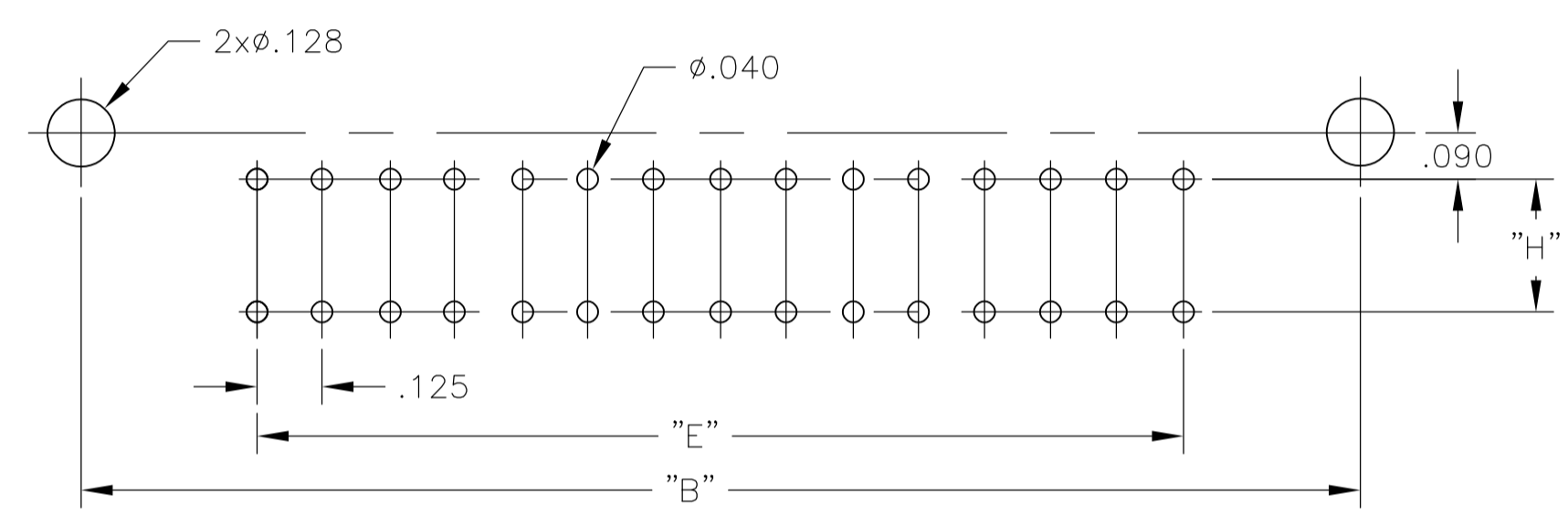
OPTION "M231"



OPTION "M232"

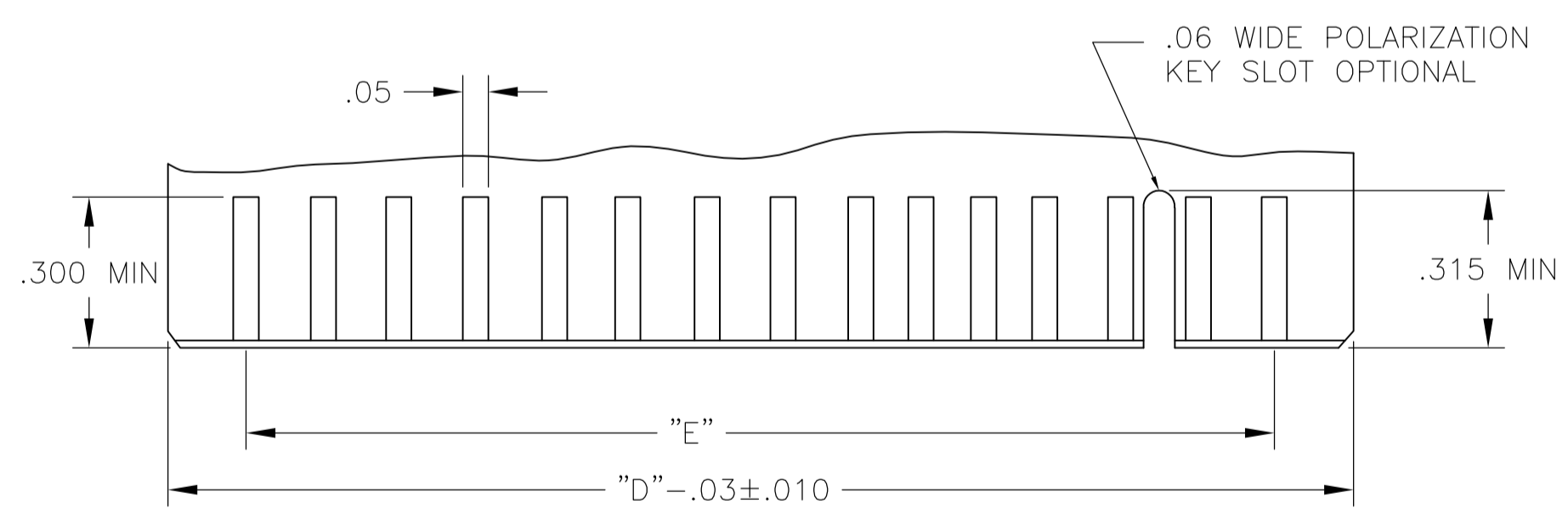


RECOMMENDED PC HOLE PATTERN FOR MOUNTING STYLE "E"

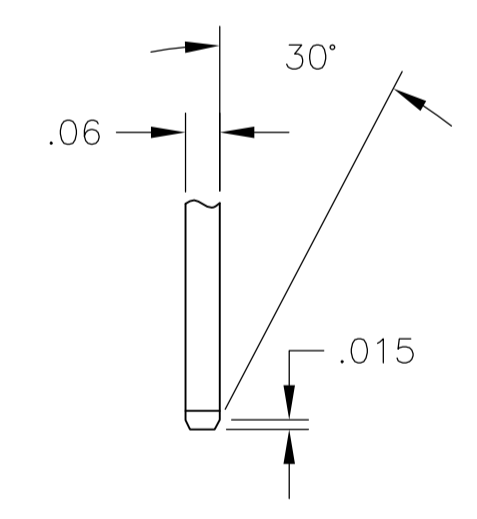


RECOMMENDED PC HOLE PATTERN FOR MOUNTING STYLE "F"

1 OBSOLETE PARTS: OBSOLETE CIS STREAMLINING PER D.RENAUD/D.SINISI



RECOMMENDED PC BOARD



1	OBSOLETE	6-1437268-0	A7D50RA29A	1-6-6437268-0	A7D50RA29ALF
1	OBSOLETE	4-1437268-8	A7D40RA29E	1-4-6437268-8	A7D40RA29ELF
		4-1437268-3	A7D36RA29AM232	1-4-6437268-3	A7D36RA29AM232LF
		4-1437268-0	A7D35RA29A	1-4-6437268-0	A7D35RA29ALF
		3-1437268-6	A7D30RA29AM231	1-3-6437268-6	A7D30RA29AM231LF
		3-1437268-2	A7D28RA29EM231	1-3-6437268-2	A7D28RA29EM231LF
		3-1437268-1	A7D28RA29E	1-3-6437268-1	A7D28RA29ELF
		2-1437268-9	A7D28RA29C	1-2-6437268-9	A7D28RA29CLF
		2-1437268-8	A7D28RA29AM231	1-2-6437268-8	A7D28RA29AM231LF
		2-1437268-7	A7D28DS29E2	1-2-6437268-7	A7D28DS29E2LF
		2-1437268-2	A7D25RA29FM232	1-2-6437268-2	A7D25RA29FM232LF
		1-1437268-4	A7D15RA29E	1-1-6437268-4	A7D15RA29ELF
		1-1437268-3	A7D15RA29C	1-1-6437268-3	A7D15RA29CLF
		1-1437268-8	A7D10RA29AM231	1-6437268-8	A7D10RA29AM231LF
		1-1437268-6	A7D06RA29E	1-6437268-6	A7D06RA29ELF

THIS DRAWING IS A CONTROLLED DOCUMENT.

DIMENSIONS: INCHES

TOLERANCES UNLESS OTHERWISE SPECIFIED:

0 PL	±	-
1 PL	±	-
2 PL	±	-
3 PL	±	-
4 PL	±	-
ANGLES	±	±

MATERIAL: - FINISH: -

WEIGHT: -

CUSTOMER DRAWING

DIN: -

CHK: -

APVD: -

PRODUCT SPEC: -

APPLICATION SPEC: -

SIZE: A1

SCALE: 3:1

SHEET: 2 OF 2

REV: B

STE TE Connectivity

A7 CARD EDGE CONNECTOR
(.125 x .250 CENTERS)
RIGHT ANGLE DIP SOLDER TAILS

00779 1437268-6

X-ON Electronics

Largest Supplier of Electrical and Electronic Components

Click to view similar products for [TE Connectivity](#) manufacturer:

Other Similar products are found below :

[D38999/24FJ4AN](#) [570416-000](#) [CLTEQ-M81CE-SSRELAY-4-20V](#) [4-1195131-0](#) [650069-000](#) [SMD100-2](#) [358838-000](#) [CB-1022B-78](#)
[RM707012](#) [RP410012](#) [MMS42](#) [1-640426-8](#) [2EDL4CM](#) [DTS20W19-11PD-3028-LC](#) [RM202615](#) [NC6-P104-06](#) [MSPS103B](#) [DTS26F21-](#)
[41HE-LC](#) [DTS26F21-41AE](#) [DTS26F21-41PE-LC](#) [DTS26F21-11SE-3028-LC](#) [30DCB6](#) [1932144-1](#) [293545-4](#) [LVR125S](#) [MS27466T25F4PB](#)
[CKB-38-78010](#) [TR04AI-TINELLOCKRING](#) [1206SFF150F/63-2](#) [D38999/20JB35HA](#) [TE1500A2R2J](#) [D38999/20WC8BB](#) [DTS24F19-11SC-](#)
[3028-LC](#) [D38999/24WG11HA](#) [D38999/24WG11HN](#) [MS27467T21F11H](#) [DJT16E21-11HA](#) [MS27467T21F35J](#) [MS27467T21F11J](#)
[MS27467T21F16H-LC](#) [MS27467T21F35H](#) [MS27467T21F41H-LC](#) [1206SFH150F/24-2](#) [RP330024](#) [DJT16E21-11PA-LC](#) [DJT16E21-11HA-](#)
[LC](#) [DJT16E21-11AA](#) [MS27467T21B11JA](#) [DJT16E21-11JA](#) [MS27467T21B11JA-LC](#)