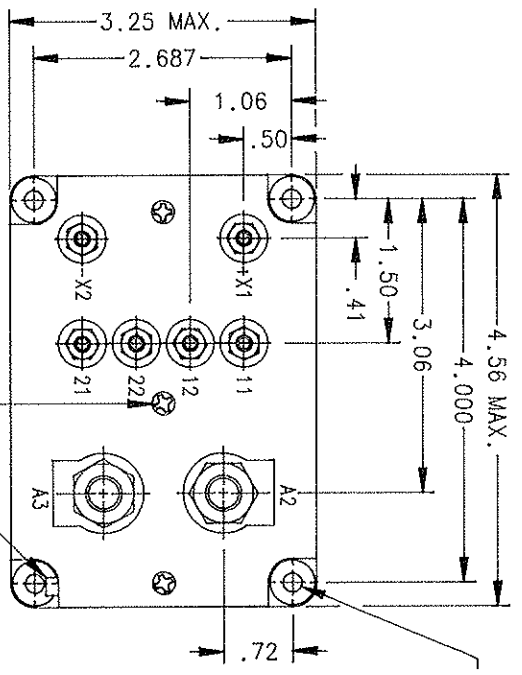


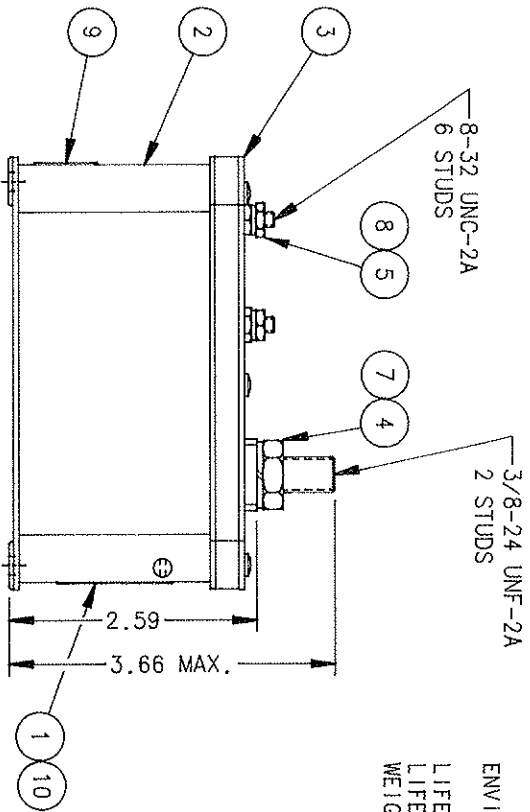
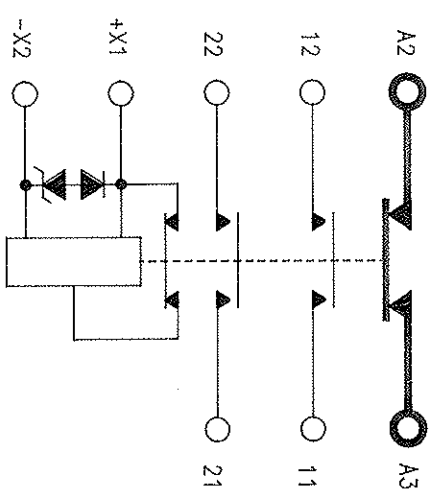
REV.	DESCRIPTION	DATE	APPROVED
F	22972 REDRAWN, ADDED ITEM 10	3/2/93	MS
G	25081 ITEM 2 WAS 37084-010	11/15/93	MS

A-931F
REV. G



CONSTRUCTION MAIN CONTACTS
 CONFIGURATION VOLTAGE (NOMINAL)
 CURRENT: RES. AUXILIARY CONTACTS
 CONFIGURATION VOLTAGE
 CURRENT: RES.
 COIL DATA
 DUTY CYCLE
 MAXIMUM OPERATE MINIMUM OPERATE
 PICKUP INITIAL DROP-OUT VOLTAGE
 RESISTANCE: INRUSH HOLD
 SUPPRESSION ENVIRONMENTAL DATA
 OPERATE TEMP. LIFE ELECTRICAL LIFE MECHANICAL WEIGHT, MAX.

GASKET SEALED (VENTED)
 SPST N.C.
 28 VDC
 600 AMP (1000 AMP 30 SEC., 800 AMP 5 MIN.)
 DPST
 28 VDC
 5 AMP
 CONTINUOUS, ECONOMIZING
 30 VDC
 18 VDC
 10 VDC MAX. AT 71°C
 1 VOLT TO 7 VOLTS
 3 OHM ±20% AT 25°C
 80 OHM ±20% AT 25°C
 45V PEAK



ENVIRONMENTAL DATA
 OPERATE TEMP. LIFE ELECTRICAL LIFE MECHANICAL WEIGHT, MAX.

-55°C TO 71°C
 50,000 OPERATIONS MINIMUM
 100,000 OPERATIONS MINIMUM
 3 LBS.

FIND NO	QTY	IDENTIFYING NO	PART OR NAME	NOMENCLATURE OR DESCRIPTION	FSCM NO	DRAWING OR SPECIFICATION	MATERIAL OR NOTE
10	1	39529-001	OVERLAY				
9	1	25695-001	PLATE - WARNING				
8	6	51808-064	WASHER - LOCK .307 MAX. .047 SPLIT				BRONZE
7	2	51807-084	WASHER - LOCK 3/8 X .688 X .094 SPLIT				BRONZE
6	3	51200-020	SOREW NO. 4 X 1/4 SHEET METAL PAN HD.				S.S.
5	6	50408-034	NUT 8-32 X 5/16 X 3/32 HEX.				BRASS
4	2	50407-164	NUT 3/8-24 X 5/8 X 7/32 HEX.				BRASS
3	1	37793-001	PLATE - BASE COVER				
2	1	37804-010	CONTACTOR ASSEMBLY - PRIMARY				
1	1	16043-042	PLATE - NAME				

UNLESS OTHERWISE SPECIFIED DIMENSIONS ARE IN INCHES TOLERANCES IN		REF. CESSNA C III	
+	.06	+	.01
2 PL DEC. 13 PL DEC. ANGLES		DR BY LCB 11/29/93	
MATERIAL		CHK BY WBS 11-30-93	
		ENGR BY 10/19-3-95	
		MFG BY 10/22-95	
		RELEASE	
		CONTR. NO.	
		GOVT APPVL	

HARTMAN ELECTRICAL MANUFACTURING MANSP. FIELD, OHIO			
CONTACTOR		SPST-N.C.	
600A		28 VDC	
SIZE	CODE IDENT	DWG NO.	
C	74063	A-931F	
SCALE NONE		SHEET	

X-ON Electronics

Largest Supplier of Electrical and Electronic Components

Click to view similar products for [Contactors - Electromechanical category:](#)

Click to view products by [TE Connectivity manufacturer:](#)

Other Similar products are found below :

[6-1618400-7](#) [686-117111](#) [686-120111](#) [686-924](#) [686-948](#) [70-901](#) [70-914](#) [MB-3D-6](#) [MC-22A/4-AC120V](#) [8-1616943-9](#) [8-1672124-5](#)
[A40-30-10-84](#) [120-905](#) [A701U](#) [120-904](#) [1393132-9](#) [154-905](#) [154-912](#) [154-913](#) [154-915](#) [154-902](#) [154-910](#) [AVR743D](#) [B6-40-00-84](#) [B7-40-00-84](#) [1616017-5](#) [1616021-1](#) [MVDILM](#) [HP-11D-24](#) [P25-E5019-1](#) [P30C47A12D1-120](#) [P40C47A12D1-120](#) [P40P47D13P1-24-01](#) [CA7-12-10-240](#) [CA7-72-00-24Z](#) [90-162](#) [9-1393132-2](#) [2NC4F0222](#) [A275KXXV2-120VAC](#) [ACC338UMM20](#) [AF80-30-11-13](#) [SZ-B1](#) [CGC-9A-120](#) [3GC2H0M22](#) [3NC0T0A22](#) [3NC1Q0A22](#) [3NC2H0A22](#) [3NC2T0122/SE](#) [3TF3400-0BB4](#) [MC-12B-DC24V](#)