

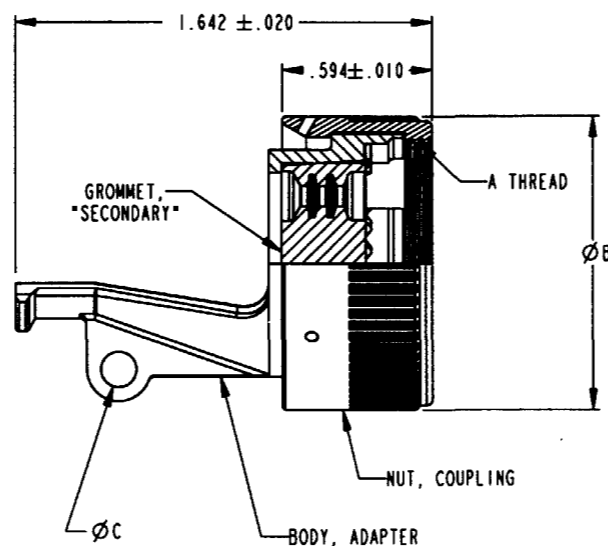
PROPERTY OF DEUTSCH E.C.D.

This drawing contains proprietary information that shall not be disclosed, duplicated, nor used in whole or in part for any purpose other than to evaluate this drawing.

D ACT00*B-*-EL***

| REVISIONS | | | |
|-----------|------------------------|--------|----------|
| REV | DESCRIPTION | DATE | APPROVED |
| D | REDRAWN PER E.O. C4837 | 3-9-01 | JPT |

| CABLE CODE | INSERT ARRANGEMENT | CABLE CODE | INSERT ARRANGEMENT |
|------------|--------------------|------------|--------------------|
| 38 | 09-35 | 61 | 23-21 |
| 39 | 09-98 | 62 | 23-35 |
| 40 | 11-05 | 63 | 23-53 |
| 41 | 11-35 | 64 | 23-55 |
| 42 | 11-99 | 65 | 25-04 |
| 43 | 13-04 | 66 | 25-19 |
| 44 | 13-35 | 67 | 25-20 |
| 45 | 13-98 | 68 | 25-24 |
| 46 | 15-05 | 69 | 25-29 |
| 47 | 15-18 | 70 | 25-35 |
| 48 | 15-35 | 71 | 25-61 |
| 49 | 15-97 | 92 | 11-98 |
| 50 | 17-06 | 93 | 15-19 |
| 51 | 17-08 | 94 | 13-08 |
| 52 | 17-26 | 95 | 17-99 |
| 53 | 17-35 | 96 | 21-39 |
| 54 | 19-11 | 97 | 25-43 |
| 55 | 19-32 | 98 | 15-23 |
| 56 | 19-35 | 99 | 17-19 |
| 57 | 21-11 | 100 | 15-26 |
| 58 | 21-16 | | |
| 59 | 21-35 | | |
| 60 | 21-41 | | |



ACT00 A B - * - EL ** P

INSERT TYPE: P = PIN
S = SOCKET
N = NO INSERT REQUIRED

CABLE INSERT ARRANGEMENT
SEE TABLE FOR COMPLETE LIST
00 = NO INSERT REQUIRED

TYPE: EL = ENVIRONMENTAL STRAIGHT

SHELL SIZE (SEE TABLE)

CONFIGURATION

FINISH: A = BLACK COMPOSITE UNPLATED
M = NICKEL PLATED BODY ADAPTER
R = TIN PLATED BODY ADAPTER
W = OLIVE DRAB CADMIUM PLATED BODY ADAPTER

BASIC IDENTIFIER: ACT00 = DEUTSCH ACT REAR ACCESSORIES

| DEUTSCH PART NUMBER *** | SHELL SIZE | A THREAD | B Ø ±.015 | C Ø ±.010 |
|-------------------------|------------|-------------------|-----------|-----------|
| ACT00*B-A-EL*** | A | M12X1.0-6H 0.100R | .650 | .120 |
| ACT00*B-B-EL*** | B | M15X1.0-6H 0.100R | .775 | .120 |
| ACT00*B-C-EL*** | C | M18X1.0-6H 0.100R | .905 | .120 |
| ACT00*B-D-EL*** | D | M22X1.0-6H 0.100R | 1.030 | .120 |
| ACT00*B-E-EL*** | E | M25X1.0-6H 0.100R | 1.160 | .140 |
| ACT00*B-F-EL*** | F | M28X1.0-6H 0.100R | 1.270 | .140 |
| ACT00*B-G-EL*** | G | M31X1.0-6H 0.100R | 1.400 | .140 |
| ACT00*B-H-EL*** | H | M34X1.0-6H 0.100R | 1.525 | .140 |
| ACT00*B-J-EL*** | J | M37X1.0-6H 0.100R | 1.655 | .140 |

△ FOR PART NUMBER BREAKDOWN, SEE TABLE.

4. RECOMMENDED TORQUE: SHELL SIZES A-E : 20-30 IN./LBS.
SHELL SIZES F-J : 35-45 IN./LBS.

3. MATERIAL: COUPLING NUT: COMPOSITE
ADAPTER BODY: COMPOSITE
SECONDARY GROMMET: SILICONE ELASTOMER

2. CONSULT FACTORY FOR AVAILABILITY.

1. ALL DIMENSIONS ARE IN INCHES UNLESS OTHERWISE SPECIFIED.
THREAD CALLOUTS ARE METRIC.

| | |
|------------------|----------------------|
| SIGNATURE & DATE | |
| DR | A. RASMUSSEN 20FEB01 |
| CHK | JPT 3-9-01 |
| PE | JPT 09FEB01 |
| APPD | |
| SCALE | NONE WT |

STRAIN RELIEF
STRAIGHT ONE ARM STYLE
LIGHT DUTY
ACT SERIES
ENVELOPE

| | |
|--|------------------------------|
| CP | MATERIAL CODE |
| DEUTSCH | |
| ENGINEERED CONNECTING DEVICES | |
| 5733 W. Whittier Ave. Hemet, California | |
| A | ACT00*B-*-EL*** |
| SIZE | CAGE CODE 11124 SHEET 1 OF 1 |

X-ON Electronics

Largest Supplier of Electrical and Electronic Components

Click to view similar products for [D-Sub Backshells](#) category:

Click to view products by [TE Connectivity](#) manufacturer:

Other Similar products are found below :

[173114-0084](#) [173112-1658](#) [600X51137X](#) [600X54009X](#) [66241-12A](#) [M85049/48-1-2](#) [M85049/48-3-5F](#) [M85049/6-38N](#) [M85049/86-12N03](#)
[70.350.2435.1](#) [72.350.1035.2](#) [72.352.2435.1](#) [73.359.4035.3](#) [799-015TMH07M](#) [799-015TMH08N](#) [FKH1RE](#) [829472-1](#) [F-PHG-3E](#) [F-PHG-4E](#)
[F-PHR-4E](#) [PCS-E20W](#) [8655MHRA0901KLF](#) [8655MHRA2501KLF](#) [958-009-010R011](#) [970-015-040R011](#) [970-025-040R011](#) [971-009-](#)
[030R121](#) [971-009-040R011](#) [971-015-040R011](#) [971-025-040R011](#) [GS85049/38-25M](#) [975T009-020R121](#) [975T015-020R121](#) [1-21986-2](#) [1-](#)
[21986-5](#) [DB-20962](#) [DB-C4-J11](#) [DE-C8-J9-F4-1R](#) [DE-C8-J9-F5-1R](#) [DPH-B-003](#) [1437013-9](#) [1484402-8](#) [MS3057-10A](#) [156-3025-EX](#)
[MS3417-16C](#) [16-500800](#) [165X02659X](#) [165X03399A](#) [165X10139X](#) [165X10259X](#)