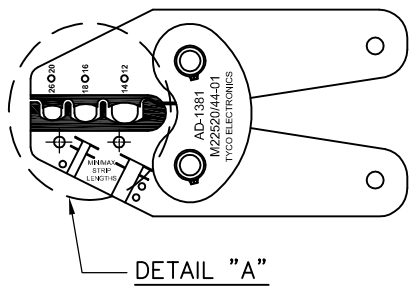
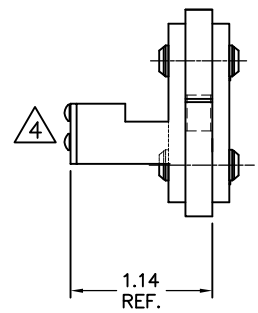
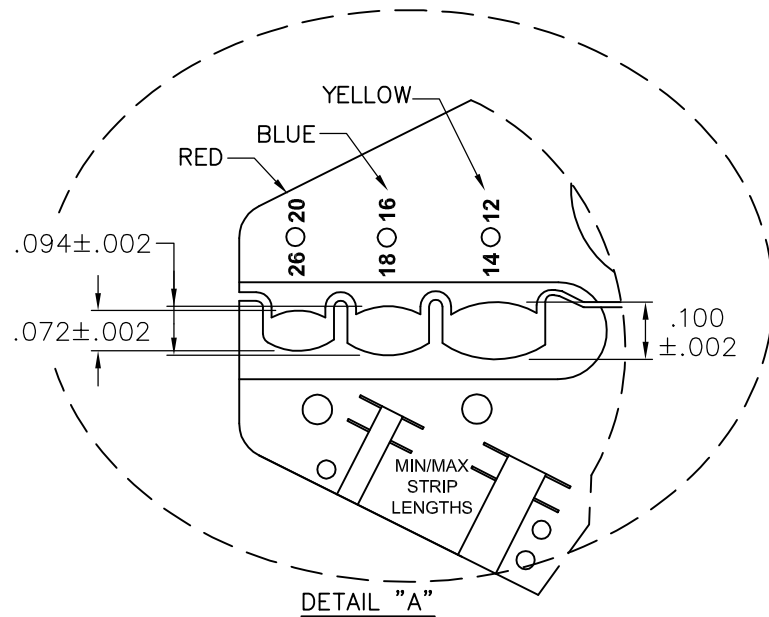
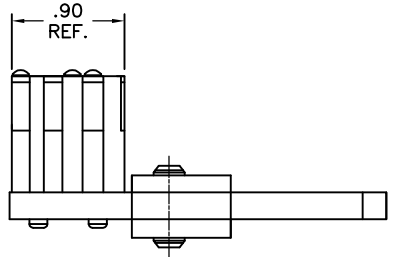
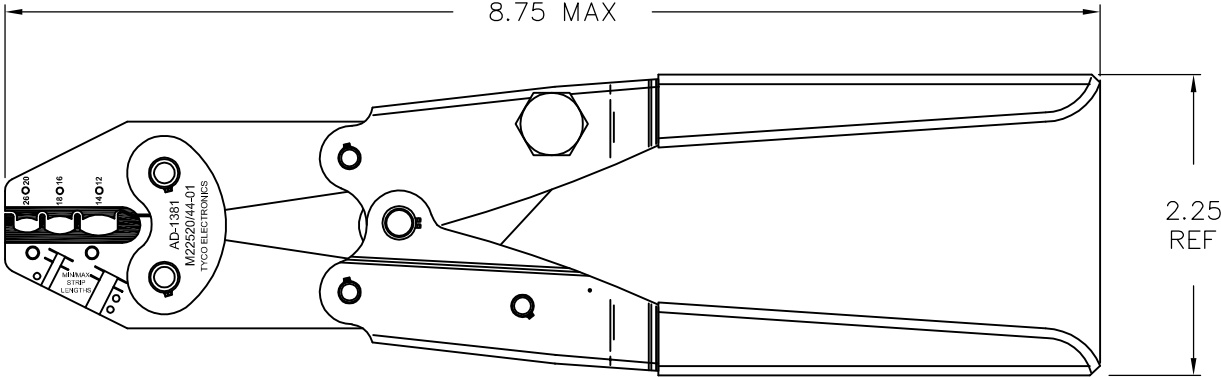


| REVISIONS | | |
|-----------|---------------------------|------------|
| LTR | DESCRIPTION | DATE |
| B1 | REVISED PER ECO-13-019946 | 12/17/2013 |



NOTES:

1. ALL DIMENSIONS ARE IN INCHES UNLESS OTHERWISE SPECIFIED.
2. HANDLE GRIP COLOR: BLUE
3. COLOR DOTS TO IDENTIFY WIRE GAUGE
4. LOCATOR EXTENDS TO .122 INCH MAXIMUM.

Raychem Application Equipment
CUSTOMER DRAWING



| | | | |
|-------------------------------------------------------------------------------------------------------------------------------------------------------------------------------------------------------------------------------|--|-----------------------|-----------------------------------|
| UNLESS OTHERWISE SPECIFIED DIMENSIONS ARE INCHES. METRIC DIMENSIONS ARE IN BRACKETS. DECIMAL TOLERANCES .XXX ± 0.005 [0.13 mm] .XX ± 0.01 [0.25 mm] .X ± 0.1 [0.50 mm] ANGLE TOLERANCE ANGLE ± 1 DEG. | | DRAWN UNGUYEN | TITLE AD-1381 CRIMPING TOOL |
| DIMENSIONING AND TOLERANCING PER ASME Y14.5-2009 | | RPN: CS1660-000 | |
| THIRD ANGLE PROJECTION | | SIZE B | CODE IDENT. NO. 06090 |
| TYCO ELECTRONICS RESERVES THE RIGHT TO AMEND THIS DRAWING AT ANY TIME. USERS SHOULD EVALUATE THE SUITABILITY OF THE PRODUCT FOR THEIR APPLICATION. | | DWG. NO. AD-1381-1 | |
| © 2013 Tyco Electronics Corporation. All rights reserved. | | SCALE: NTS | SHEET 1 OF 1 |

X-ON Electronics

Largest Supplier of Electrical and Electronic Components

Click to view similar products for [Crimpers / Crimping Tools](#) category:

Click to view products by [TE Connectivity](#) manufacturer:

Other Similar products are found below :

[010-0096](#) [M225201-06](#) [M225202-37](#) [6-1579015-5](#) [CT150-6-RH07](#) [622-6441LF](#) [M322](#) [6-304052-1](#) [63456-0054](#) [63484-3701](#) [63800-8355](#)
[63819-1875](#) [63819-2875](#) [63819-4475](#) [64001-0975](#) [64005-0175](#) [662903-2](#) [690602-6](#) [7-1579001-9](#) [7-23471-1](#) [762637-1](#) [808714-1](#) [811242-5](#)
[999-50-020083](#) [1-21002-3](#) [1-21002-7](#) [12085270](#) [1-21002-6](#) [1-21113-6](#) [1-22548-4](#) [125442-1](#) [DCE.91.073.BVC](#) [DCE.91.090.3MVM](#)
[DCE.91.130.5MVU](#) [DCE.91.202.BVCM](#) [1338300-1](#) [1-354003-0](#) [1338301-1](#) [DF62/RE-MD](#) [142321](#) [1456088-1](#) [1490794-1](#) [1-45804-6](#)
[1490357-2](#) [1490357-3](#) [AX100749](#) [1-59619-7](#) [1596970-1](#) [1-59619-8](#) [1901238-2](#)