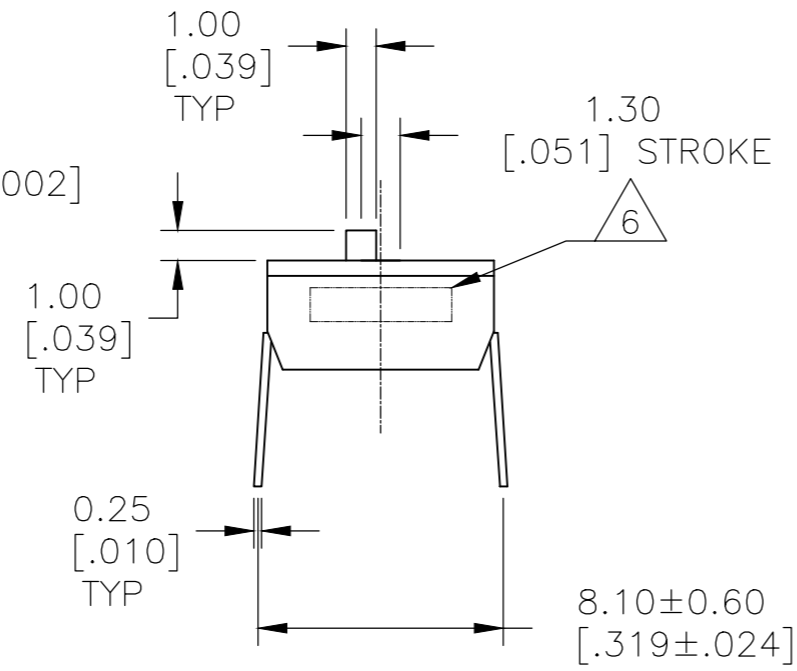
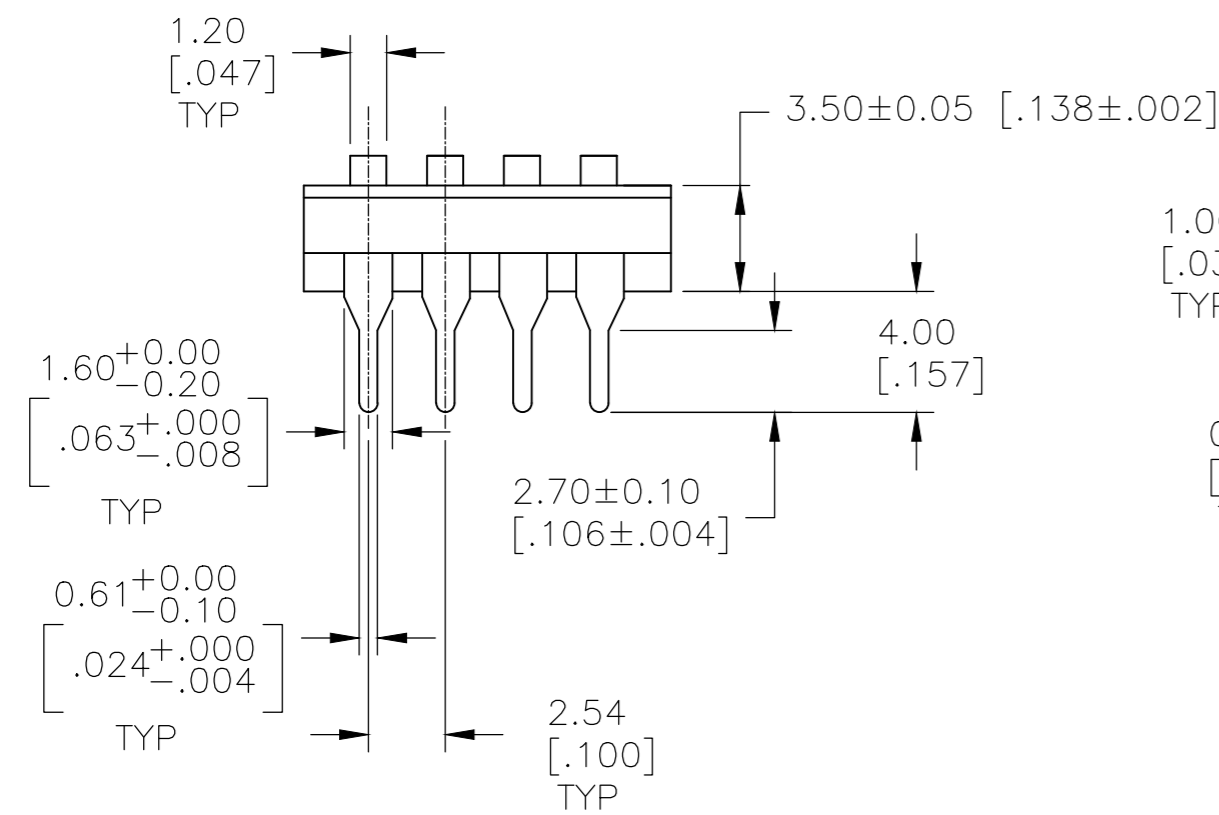
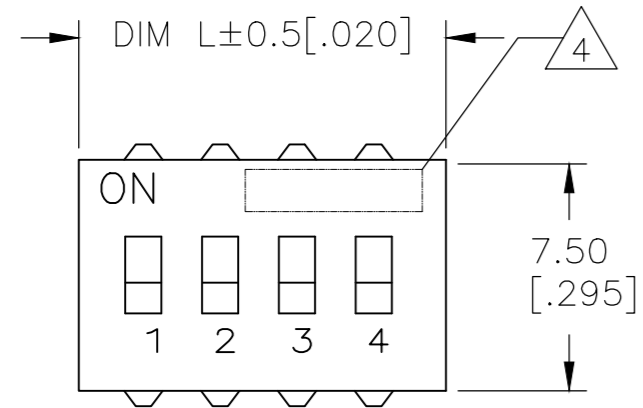


THIS DRAWING IS UNPUBLISHED. RELEASED FOR PUBLICATION
 © COPYRIGHT - By - ALL RIGHTS RESERVED.

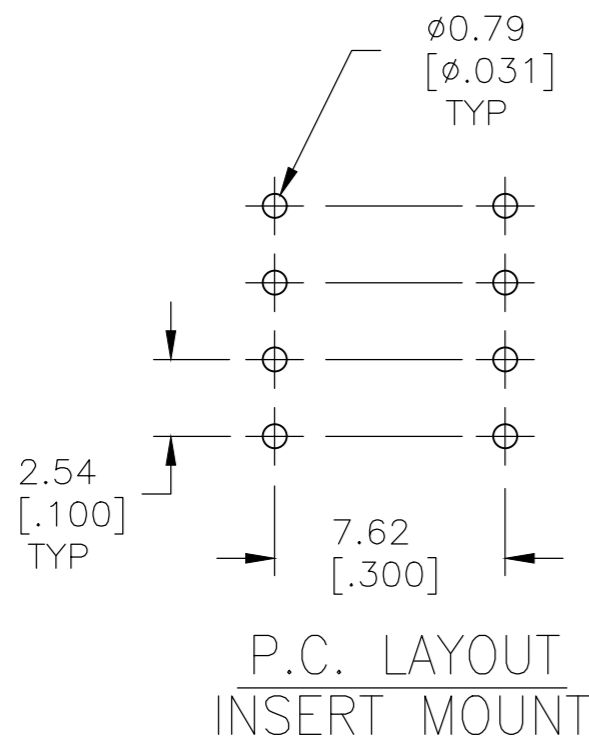
REVISIONS				
P	LTR	DESCRIPTION	DATE	APVD
R2		REVISED PER ECO-18-013690	24OCT2018	SR PO

SPECIFICATIONS:
MATERIAL
 BASE, PPS, UL94V-0, BLACK
 COVER, PPS, UL94V-0, BLACK
 ACTUATOR, PA6T, UL94V-0, WHITE
 FIXED CONTACT/TERMINAL, CU ALLOY-GOLD FLASH OVER NICKEL
 MOVING CONTACT, CU ALLOY, PLATE-GOLD FLASH/NICKEL
ELECTRICAL
 MAX CONTACT RATING SWITCHING, 100MILLIAMP @ 24 VDC
 MIN CONTACT RATING SWITCHING, .1MICROAMP @ 1 MILLIVOLT
 MAX CONTACT NON-SWITCHING, 1AMP @ 5 VDC
 INITIAL CONTACT RESISTANCE, 50 MILLIOHMS MAX.
 CONTACT RESISTANCE (AFTER ENVIRONMENTAL TEST), 100 MILLIOHMS
 CONTACT RESISTANCE (AFTER GAS TEST), 300 MILLIOHMS
 INSULATION RESISTANCE, 1,000 MEGOHMS MIN. @ 100 VDC
 DIELECTRIC STRENGTH, 500 VAC RMS @ SEA LEVEL
 LIFE EXPECTANCY, 1,000 CYCLES
MECHANICAL
 OPERATING FORCE, LESS THAN 800 GRAMS
 CONTACT PRESSURE, 280,000 PSI
ENVIRONMENTAL
 OPERATING TEMPERATURE, -30 TO +85 DEGREES C
 STORAGE TEMPERATURE, -45 TO +105 DEGREES C
 CLEANING, AQUEOUS OR SOLVENT
 SOLDER HEAT RESISTANCE, PER 109-202, COND B, SWITCH "OFF".
 SOLDERABILITY PER JIS C 0050 & JIS 0053

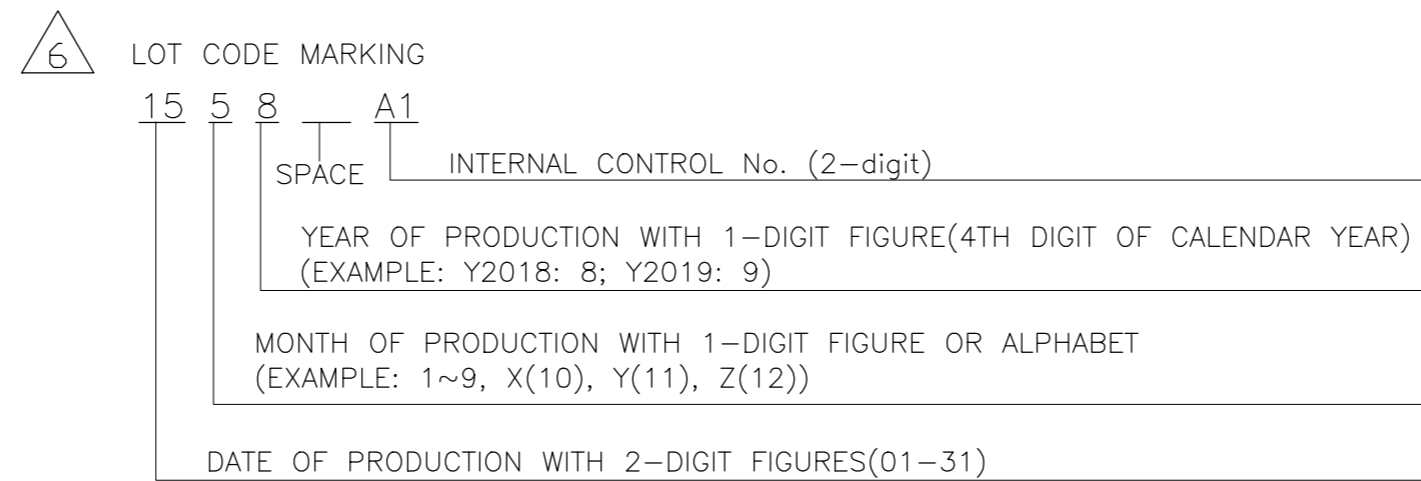


ADE

- 1 SWITCHES TO BE RECEIVED IN THE "OFF" POSITION AND PACKAGED IN CLEAR TUBES TO ACCOMMODATE AUTO-INSERTION.
- 2 TOP SURFACE TO BE CLEARLY MARKED AS SHOWN
- 3 SWITCHES TO BE BLACK WITH WHITE ACTUATORS AND MARKINGS.
- 4 MARK ALCO PLUS FIRST 5 DIGITS PER T&B P/N COLUMN (E.G.: ALCO ADE12), ON 2 AND 3 POSITION SWITCH WITHOUT ALCO
- 5 ALL MATERIALS AND FINISHES SHALL COMPLY WITH EU DIRECTIVE 2002 /95/EC OF 27JAN2003 (ROHS)



P.C. LAYOUT
INSERT MOUNT



ADE1204	32.51 [1.280]	12	1-1825057-0
ADE1004	27.40 [1.078]	10	1825057-9
ADE0904	24.84 [0.978]	9	1825057-8
ADE0804	22.30 [0.878]	8	1825057-7
ADE0704	19.80 [0.778]	7	1825057-6
ADE0604	17.22 [0.678]	6	1825057-5
ADE0504	14.70 [0.578]	5	1825057-4
ADE0404	12.14 [0.478]	4	1825057-3
ADE0304	9.60 [0.378]	3	1825057-2
ADE0204	7.06 [0.278]	2	1825057-1
T&B P/N	DIM L	POSITION	PART NO.

THIS DRAWING IS A CONTROLLED DOCUMENT.		DWN B.S.VISWESWARA 10FEB05		TE Connectivity Ltd.	
DIMENSIONS: mm [INCHES]		CHK M.SARVER		NAME	
TOLERANCES UNLESS OTHERWISE SPECIFIED:		APVD M.SARVER		DIP SWITCH, ADE THRU HOLE	
0 PLC ± -		PRODUCT SPEC		SIZE CAGE CODE DRAWING NO RESTRICTED TO	
1 PLC ± -		APPLICATION SPEC		A2 00779 C=1825057	
2 PLC ± -		WEIGHT -		SCALE 4:1 SHEET 1 OF 1 REV R2	
3 PLC ± .30 [0.12]		CUSTOMER DRAWING			
4 PLC ± -					
ANGLES ± -					
FINISH -					

X-ON Electronics

Largest Supplier of Electrical and Electronic Components

Click to view similar products for [DIP Switches/SIP Switches](#) category:

Click to view products by [TE Connectivity](#) manufacturer:

Other Similar products are found below :

[78M03S](#) [79B10T](#) [8136-475G4T](#) [G7G-1A2-CB-DC12](#) [H7CZL8AC100240](#) [A7SS-M](#) [A8CA-201](#) [DRR60016](#) [DRS4016](#) [1825008-1](#) [1825444-1](#) [25.350.0653.0](#) [SDA10H1BDA](#) [97R06ST](#) [A2C-2A5](#) [1825444-7](#) [ADE08SA04](#) [ADE12S04](#) [192960010](#) [2-1825058-8](#) [25.330.0653.1](#) [25.352.0353.0](#) [CXDRIVEV2X](#) [IKN0600000](#) [IKN0800000](#) [LA2-002-DC24](#) [DBS1003](#) [438872000](#) [DRD10CRAE04](#) [DSR02T](#) [DSS 208 N](#) [E2FMX2D1M1TGJ03M](#) [NDI10H](#) [219-9MSTP](#) [204-6ES](#) [EPM02FV](#) [701521596](#) [NDS08V](#) [76SB05](#) [79A10](#) [TD06H0SK1](#) [Z7.255.9027.0](#) [1-1825058-3](#) [1825428-4](#) [219-10LPSTF](#) [E3ZG6111D03M](#) [G4D212PUSTV2DC5](#) [NDI05H](#) [EPG301BT06](#) [206S0117](#)