

| REVISIONS | | | | | |
|-----------|-----|---------------------------|-----------|-----|------|
| P | LTR | DESCRIPTION | DATE | DWN | APVD |
| | A8 | REVISED PER ECO-20-003630 | 13MAR2020 | SR | AS |

SPECIFICATIONS:

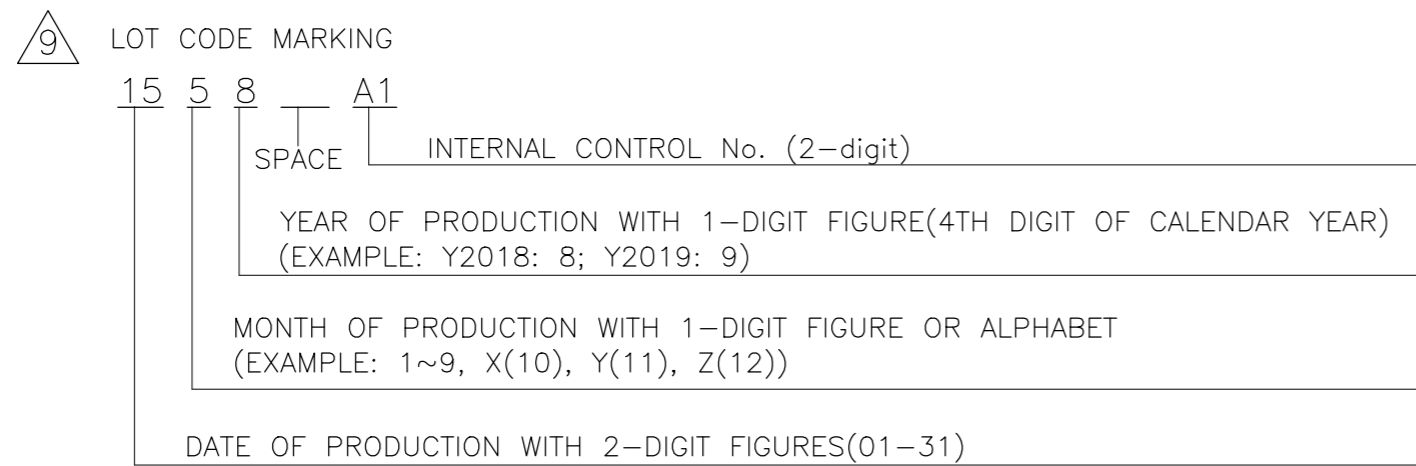
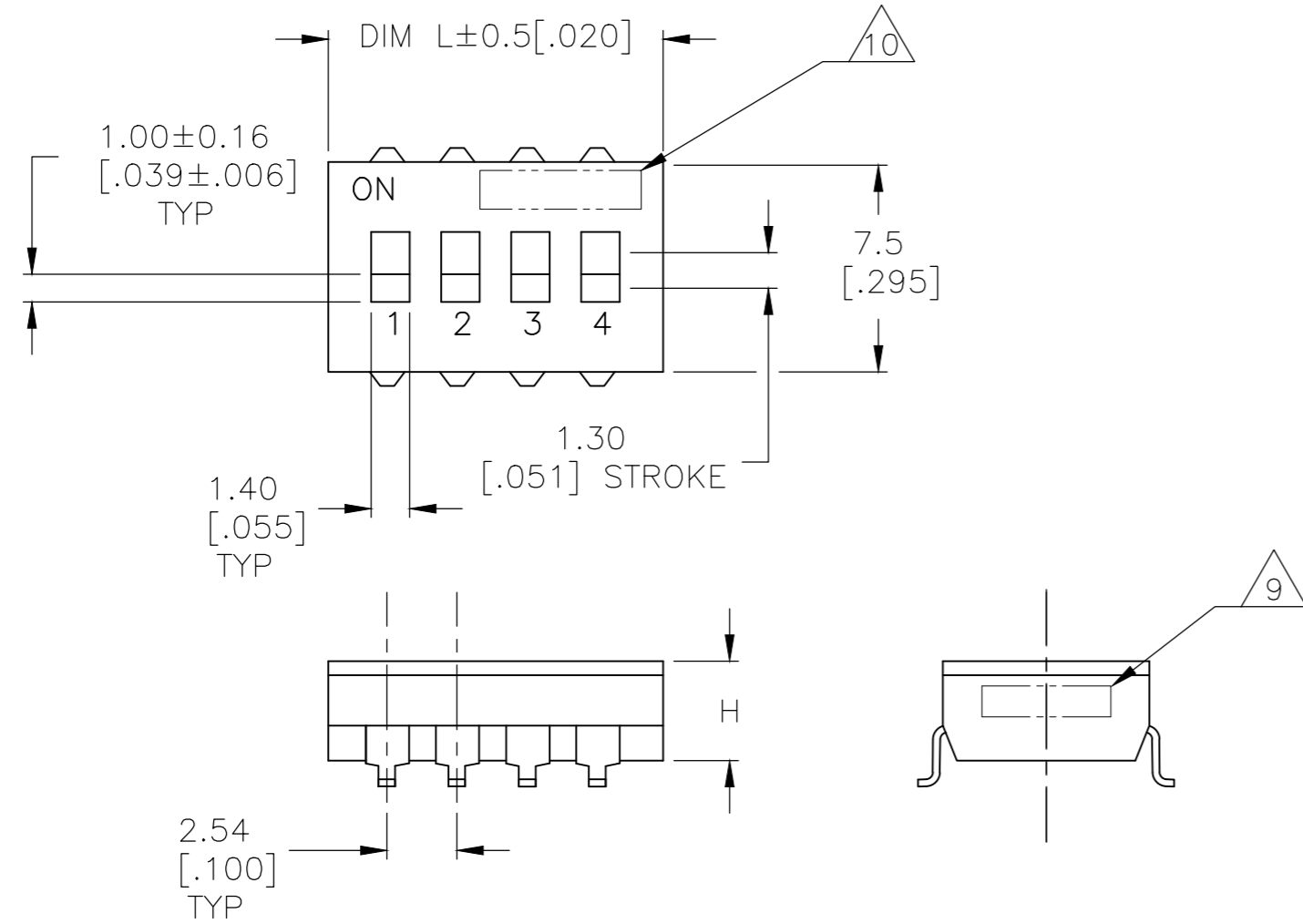
MATERIAL
 BASE, PPS,UL94V-0, BLACK
 COVER, PPS, UL94V-0, BLACK
 ACTUATOR, PA6T, UL94V-0, WHITE
 FIXED CONTACT/TERMINAL, CU ALLOY-GOLD FLASH OVER NICKEL
 MOVING CONTACT, CU ALLOY, PLATE-GOLD FLASH/NICKEL
 TAPE SEAL-POLYIMIDE FILM, AMBER, SEE P/N TABLE FOR OPTIONS

ELECTRICAL
 MAX CONTACT RATING SWITCHING, 100MILLIAMPS @ 24 VDC
 MIN CONTACT RATING SWITCHING, .1MICROAMP @ 1 MILLIVOLT
 MAX CONTACT NON-SWITCHING, 1AMP @ 5 VDC
 INITIAL CONTACT RESISTANCE, 50 MILLIOHMS MAX.
 CONTACT RESISTANCE (AFTER ENVIRONMENTAL TEST), 100 MILLIOHMS
 CONTACT RESISTANCE (AFTER GAS TEST), 300 MILLIOHMS
 INSULATION RESISTANCE, 1,000 MEGOHMS MIN. @ 100 VDC
 DIELECTRIC STRENGTH, 500 VAC RMS @ SEA LEVEL
 LIFE EXPECTANCY, 1,000 CYCLES

MECHANICAL
 OPERATING FORCE, LESS THAN 800 GRAMS
 CONTACT PRESSURE, 280,000 PSI

ENVIRONMENTAL
 OPERATING TEMPERATURE, -30 TO +85 DEGREES C
 STORAGE TEMPERATURE, -45 TO +105 DEGREES C
 CLEANING, AQUEOUS OR SOLVENT
 SOLDER HEAT RESISTANCE, PER 109-201, COND B, SWITCH "OFF".
 SOLDERABILITY PER JIS C 0050 & JIS C 0053.

- SWITCHES TO BE RECEIVED IN THE "OFF" POSITION AND PACKAGED IN CLEAR TUBES TO ACCOMMODATE AUTO-INSERTION OR PACKAGED ON TAPE AND REEL
- TOP SURFACE TO BE CLEARLY MARKED AS SHOWN
- SWITCHES TO BE BLACK WITH WHITE ACTUATORS AND MARKINGS.
- TERMINAL OPTION: OLD T&B P/N ADExxS, SA OR SB
 S= OUTSIDE "L" TERMINALS; SA= INSIDE "L" TERMINALS;
 SB= BUTT TERMINALS
- ALL MATERIALS AND FINISHES SHALL COMPLY WITH EU DIRECTIVE 2002/95/EC OF 27JAN2003 (ROHS)
- TOP TAPE SEAL AVAILABLE, SEE TABLE FOR OPTIONS.
- TAPE AND REEL PACKAGING PER EIA 481.
- 8** OBSOLETE PARTS: OBSOLETE CIS STREAMLINING PER D.RENAUD/D.SINISI

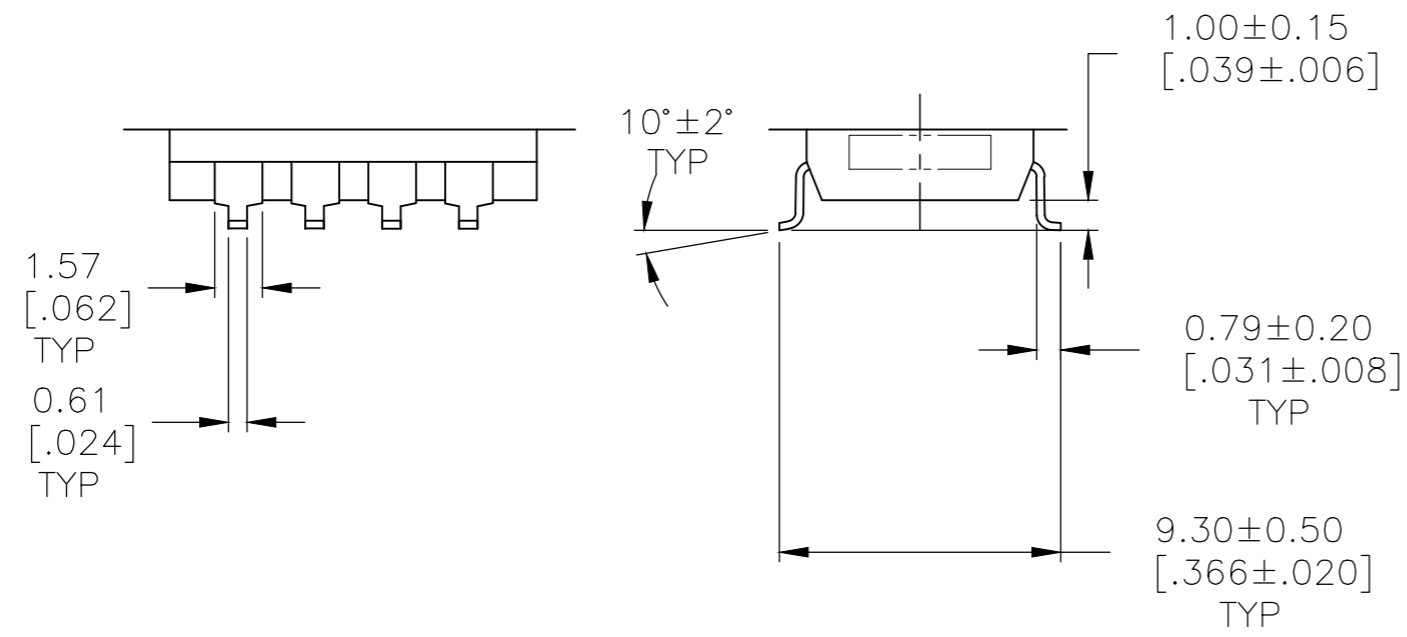


10 MARK ALCO PLUS FIRST 5 DIGITS PER T&B P/N.2 AND 3 POSITION SUPPLIED WITHOUT ALCO

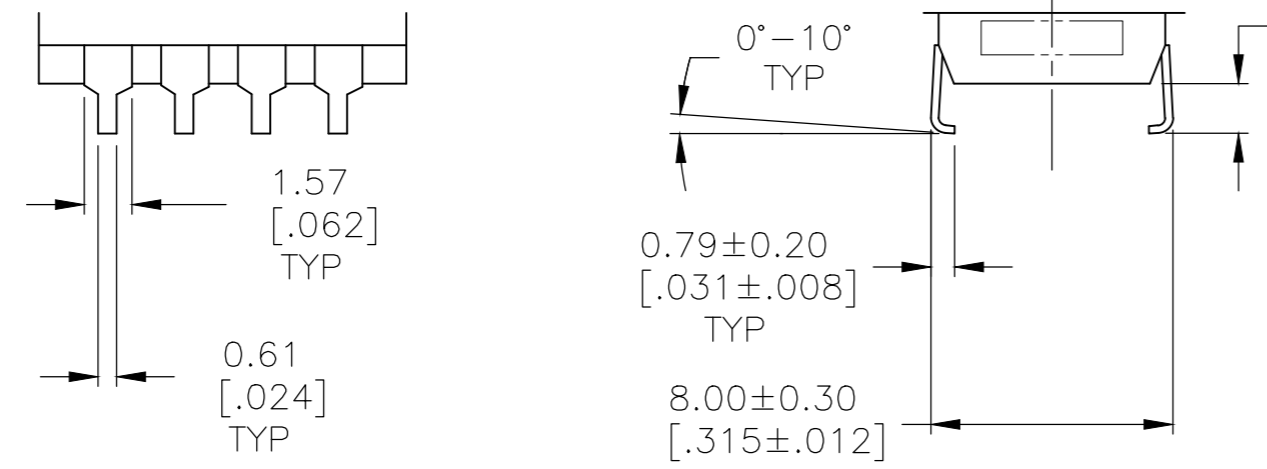
SEE SHEET 3 FOR PART NUMBER TABLE
 SEE SHEET 2 FOR MOUNTING OPTIONS

| | | | | |
|---|--|----------------------------------|----------------------------|--------------------|
| THIS DRAWING IS A CONTROLLED DOCUMENT. | | DWN B.S.VISWESWARA 11FEB05 | TE Connectivity | |
| DIMENSIONS: mm [INCHES] | | CHK M.SARVER | | |
| TOLERANCES UNLESS OTHERWISE SPECIFIED: | | APVD M.SARVER | DIP SWITCH, ADF-SMT SERIES | |
| 0 PLC ± - 1 PLC ± - 2 PLC ± 0.30 [.012] 3 PLC ± - 4 PLC ± - ANGLES ± - | | PRODUCT SPEC - | SIZE A2 | CAGE CODE - |
| MATERIAL - | | APPLICATION SPEC - | DRAWING NO C=1825059 | RESTRICTED TO - |
| FINISH - | | WEIGHT | SCALE 4:1 | SHEET 1 OF 3 |
| CUSTOMER DRAWING | | | REV A8 | |

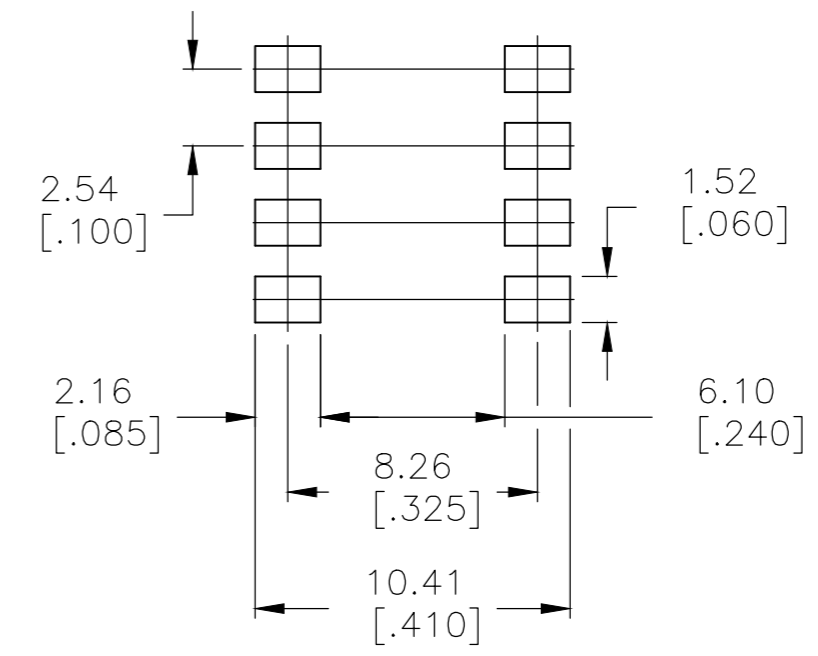
| REVISIONS | | | | | |
|-----------|-----|-------------|------|-----|------|
| P | LTR | DESCRIPTION | DATE | DWN | APVD |
| - | - | SEE SHEET 1 | - | - | - |



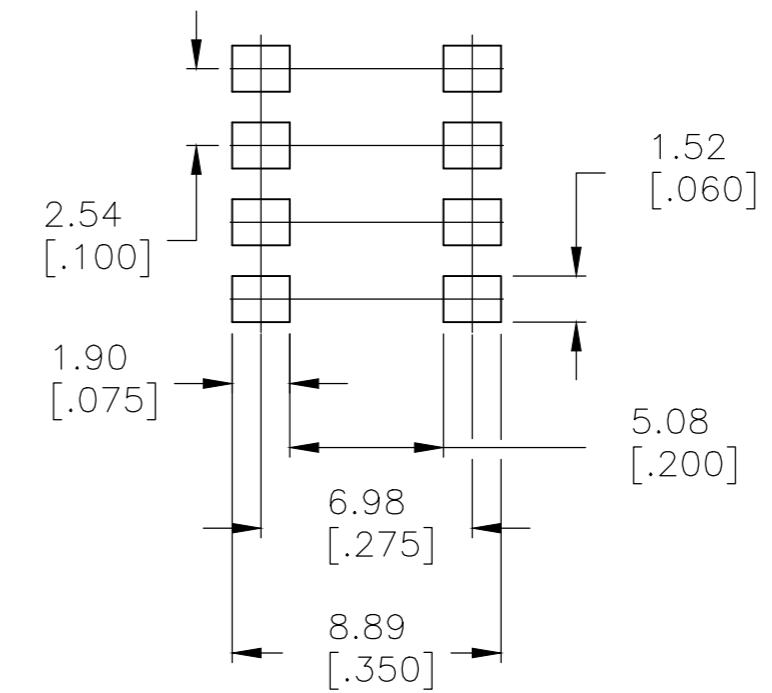
SURFACE MOUNT
S (OUTSIDE "L")



SURFACE MOUNT
SA (INSIDE "L")



RECOMMENDED PAD LAYOUT



RECOMMENDED PAD LAYOUT


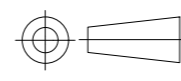
| | | | | | | | | | | | | | | | | | | | | | | |
|---|---|----------------------------------|----------------------------|-----------------|-------|---|---|-------|---|------------|-------|---|---|-------|---|---|--------|---|---|--------------|---------------|--|
| THIS DRAWING IS A CONTROLLED DOCUMENT. | | DWN B.S.VISWESWARA 11FEB05 | TE Connectivity | | | | | | | | | | | | | | | | | | | |
| DIMENSIONS: mm [INCHES] | | CHK M.SARVER | | | NAME | | | | | | | | | | | | | | | | | |
| TOLERANCES UNLESS OTHERWISE SPECIFIED: | | APVD M.SARVER | DIP SWITCH, ADF-SMT SERIES | | | | | | | | | | | | | | | | | | | |
| <table border="1"> <tr><td>0 PLC</td><td>±</td><td>-</td></tr> <tr><td>1 PLC</td><td>±</td><td>-</td></tr> <tr><td>2 PLC</td><td>±</td><td>0.30[.012]</td></tr> <tr><td>3 PLC</td><td>±</td><td>-</td></tr> <tr><td>4 PLC</td><td>±</td><td>-</td></tr> <tr><td>ANGLES</td><td>±</td><td>-</td></tr> </table> | | 0 PLC | ± | - | 1 PLC | ± | - | 2 PLC | ± | 0.30[.012] | 3 PLC | ± | - | 4 PLC | ± | - | ANGLES | ± | - | PRODUCT SPEC | RESTRICTED TO | |
| 0 PLC | ± | - | | | | | | | | | | | | | | | | | | | | |
| 1 PLC | ± | - | | | | | | | | | | | | | | | | | | | | |
| 2 PLC | ± | 0.30[.012] | | | | | | | | | | | | | | | | | | | | |
| 3 PLC | ± | - | | | | | | | | | | | | | | | | | | | | |
| 4 PLC | ± | - | | | | | | | | | | | | | | | | | | | | |
| ANGLES | ± | - | | | | | | | | | | | | | | | | | | | | |
| MATERIAL | | APPLICATION SPEC | SIZE A2 | CAGE CODE - | | | | | | | | | | | | | | | | | | |
| FINISH | | WEIGHT - | DRAWING NO 1825059 | | | | | | | | | | | | | | | | | | | |
| | | CUSTOMER DRAWING | SCALE 4:1 | SHEET 2 OF 3 | | | | | | | | | | | | | | | | | | |
| | | | REV A8 | | | | | | | | | | | | | | | | | | | |

THIS DRAWING IS UNPUBLISHED. RELEASED FOR PUBLICATION 1825059, 1825059
 © COPYRIGHT 1825059y - ALL RIGHTS RESERVED.

| REVISIONS | | | | | |
|-----------|-----|-------------|------|-----|------|
| P | LTR | DESCRIPTION | DATE | DWN | APVD |
| - | - | SEE SHEET 1 | - | - | - |

| | | | | | | |
|----------|--------------|------------|--------------|------|-----|-------------|
| | ADF05STR04 | 3.50[.138] | 14.68[.578] | NO | 5 | 6-1825059-4 |
| | ADF10STR04 | 3.50[.138] | 27.36[1.078] | NO | 10 | 6-1825059-2 |
| | ADF03STR04 | 3.50[.138] | 9.60[.378] | NO | 3 | 6-1825059-1 |
| OBSOLETE | ADF12STTR04 | 3.61[.142] | 32.51[1.280] | YES | 12 | 6-1825059-0 |
| OBSOLETE | ADF12ST04 | 3.61[.142] | 32.51[1.280] | YES | 12 | 5-1825059-9 |
| OBSOLETE | ADF12SATTR04 | 3.61[.142] | 32.51[1.280] | YES | 12 | 5-1825059-8 |
| OBSOLETE | ADF12SAT04 | 3.61[.142] | 32.51[1.280] | YES | 12 | 5-1825059-7 |
| OBSOLETE | ADF12SA04 | 3.61[.142] | 32.51[1.280] | NO | 12 | 5-1825059-6 |
| OBSOLETE | ADF12S04 | 3.61[.142] | 32.51[1.280] | NO | 12 | 5-1825059-5 |
| | ADF10STTR04 | 3.50[.138] | 27.36[1.078] | YES | 10 | 5-1825059-4 |
| | ADF10ST04 | 3.50[.138] | 27.36[1.078] | YES | 10 | 5-1825059-3 |
| OBSOLETE | ADF10SATTR04 | 3.50[.138] | 27.36[1.078] | YES | 10 | 5-1825059-2 |
| OBSOLETE | ADF10SAT04 | 3.50[.138] | 27.36[1.078] | YES | 10 | 5-1825059-1 |
| OBSOLETE | ADF10SA04 | 3.50[.138] | 27.36[1.078] | NO | 10 | 5-1825059-0 |
| | ADF10S04 | 3.50[.138] | 27.36[1.078] | NO | 10 | 4-1825059-9 |
| | ADF09STTR04 | 3.50[.138] | 24.54[.978] | YES | 9 | 4-1825059-8 |
| OBSOLETE | ADF09ST04 | 3.50[.138] | 24.54[.978] | YES | 9 | 4-1825059-7 |
| OBSOLETE | ADF09SATTR04 | 3.50[.138] | 24.54[.978] | YES | 9 | 4-1825059-6 |
| OBSOLETE | ADF09SAT04 | 3.50[.138] | 24.54[.978] | YES | 9 | 4-1825059-5 |
| OBSOLETE | ADF09SA04 | 3.50[.138] | 24.54[.978] | NO | 9 | 4-1825059-4 |
| | T&B P/N | DIM H | DIM L | SEAL | POS | PART NO. |

| | | | | | | |
|----------|--------------|------------|-------------|------|-----|-------------|
| OBSOLETE | ADF09S04 | 3.50[.138] | 24.54[.978] | NO | 9 | 4-1825059-3 |
| | ADF08STTR04 | 3.50[.138] | 22.30[.878] | YES | 8 | 4-1825059-2 |
| | ADF08ST04 | 3.50[.138] | 22.30[.878] | YES | 8 | 4-1825059-1 |
| | ADF08SATTR04 | 3.50[.138] | 22.30[.878] | YES | 8 | 4-1825059-0 |
| OBSOLETE | ADF08SAT04 | 3.50[.138] | 22.30[.878] | YES | 8 | 3-1825059-9 |
| | ADF08SA04 | 3.50[.138] | 22.30[.878] | NO | 8 | 3-1825059-8 |
| | ADF08S04 | 3.50[.138] | 22.30[.878] | NO | 8 | 3-1825059-7 |
| | ADF07STTR04 | 3.50[.138] | 19.76[.778] | YES | 7 | 3-1825059-6 |
| | ADF07ST04 | 3.50[.138] | 19.76[.778] | YES | 7 | 3-1825059-5 |
| OBSOLETE | ADF07SATTR04 | 3.50[.138] | 19.76[.778] | YES | 7 | 3-1825059-4 |
| OBSOLETE | ADF07SAT04 | 3.50[.138] | 19.76[.778] | YES | 7 | 3-1825059-3 |
| OBSOLETE | ADF07SA04 | 3.50[.138] | 19.76[.778] | NO | 7 | 3-1825059-2 |
| | ADF07S04 | 3.50[.138] | 19.76[.778] | NO | 7 | 3-1825059-1 |
| | ADF06STTR04 | 3.50[.138] | 17.22[.678] | YES | 6 | 3-1825059-0 |
| | ADF06ST04 | 3.50[.138] | 17.22[.678] | YES | 6 | 2-1825059-9 |
| OBSOLETE | ADF06SATTR04 | 3.50[.138] | 17.22[.678] | YES | 6 | 2-1825059-8 |
| OBSOLETE | ADF06SAT04 | 3.50[.138] | 17.22[.678] | YES | 6 | 2-1825059-7 |
| OBSOLETE | ADF06SA04 | 3.50[.138] | 17.22[.678] | NO | 6 | 2-1825059-6 |
| | ADF06S04 | 3.50[.138] | 17.22[.678] | NO | 6 | 2-1825059-5 |
| | ADF05STTR04 | 3.50[.138] | 14.68[.578] | YES | 5 | 2-1825059-4 |
| | ADF05ST04 | 3.50[.138] | 14.68[.578] | YES | 5 | 2-1825059-3 |
| OBSOLETE | ADF05SATTR04 | 3.50[.138] | 14.68[.578] | YES | 5 | 2-1825059-2 |
| OBSOLETE | ADF05SAT04 | 3.50[.138] | 14.68[.578] | YES | 5 | 2-1825059-1 |
| OBSOLETE | ADF05SA04 | 3.50[.138] | 14.68[.578] | NO | 5 | 2-1825059-0 |
| | ADF05S04 | 3.50[.138] | 14.68[.578] | NO | 5 | 1-1825059-9 |
| | ADF04STTR04 | 3.50[.138] | 12.14[.478] | YES | 4 | 1-1825059-8 |
| | ADF04ST04 | 3.50[.138] | 12.14[.478] | YES | 4 | 1-1825059-7 |
| | ADF04SATTR04 | 3.50[.138] | 12.14[.478] | YES | 4 | 1-1825059-6 |
| | ADF04SAT04 | 3.50[.138] | 12.14[.478] | YES | 4 | 1-1825059-5 |
| | ADF04SA04 | 3.50[.138] | 12.14[.478] | NO | 4 | 1-1825059-4 |
| | ADF04S04 | 3.50[.138] | 12.14[.478] | NO | 4 | 1-1825059-3 |
| | ADF03STTR04 | 3.50[.138] | 9.60[.378] | YES | 3 | 1-1825059-2 |
| | ADF03ST04 | 3.50[.138] | 9.60[.378] | YES | 3 | 1-1825059-1 |
| OBSOLETE | ADF03SATTR04 | 3.50[.138] | 9.60[.378] | YES | 3 | 1-1825059-0 |
| OBSOLETE | ADF03SAT04 | 3.50[.138] | 9.60[.378] | YES | 3 | 1-1825059-9 |
| OBSOLETE | ADF03SA04 | 3.50[.138] | 9.60[.378] | NO | 3 | 1-1825059-8 |
| | ADF03S04 | 3.50[.138] | 9.60[.378] | NO | 3 | 1-1825059-7 |
| | ADF02STTR04 | 3.50[.138] | 7.06[.278] | YES | 2 | 1-1825059-6 |
| | ADF02ST04 | 3.50[.138] | 7.06[.278] | YES | 2 | 1-1825059-5 |
| OBSOLETE | ADF02SATTR04 | 3.50[.138] | 7.06[.278] | YES | 2 | 1-1825059-4 |
| | ADF02SAT04 | 3.50[.138] | 7.06[.278] | YES | 2 | 1-1825059-3 |
| OBSOLETE | ADF02SA04 | 3.50[.138] | 7.06[.278] | NO | 2 | 1-1825059-2 |
| | ADF02S04 | 3.50[.138] | 7.06[.278] | NO | 2 | 1-1825059-1 |
| | T&B P/N | DIM H | DIM L | SEAL | POS | PART NO. |

| | | | | | |
|---|--|--|---------|---|-----------------|
| THIS DRAWING IS A CONTROLLED DOCUMENT. | | DWN B.S.VISWESWARA CHK M.SARVER APVD M.SARVER PRODUCT SPEC | 11FEB05 |  TE Connectivity DIP SWITCH, ADF-SMT SERIES | |
| DIMENSIONS: mm [INCHES] | | TOLERANCES UNLESS OTHERWISE SPECIFIED: 0 PLC ± - 1 PLC ± - 2 PLC ± 0.30[.012] 3 PLC ± - 4 PLC ± - ANGLES ± - FINISH - | | | |
|  | | WEIGHT - | | SCALE A2 - | SHEET 3 OF 3 |
| MATERIAL - | | CUSTOMER DRAWING | | SCALE 4:1 | REV A8 |

X-ON Electronics

Largest Supplier of Electrical and Electronic Components

Click to view similar products for [DIP Switches/SIP Switches](#) category:

Click to view products by [TE Connectivity](#) manufacturer:

Other Similar products are found below :

[78M03S](#) [79B10T](#) [8136-475G4T](#) [G7G-1A2-CB-DC12](#) [H7CZL8AC100240](#) [A7SS-M](#) [A8CA-201](#) [DRR60016](#) [DRS4016](#) [1825008-1](#) [1825444-1](#) [25.350.0653.0](#) [SDA10H1BDA](#) [97R06ST](#) [A2C-2A5](#) [1825444-7](#) [ADE08SA04](#) [ADE12S04](#) [192960010](#) [2-1825058-8](#) [25.330.0653.1](#) [25.352.0353.0](#) [CXDRIVEV2X](#) [IKN0600000](#) [IKN0800000](#) [LA2-002-DC24](#) [DBS1003](#) [438872000](#) [DRD10CRAE04](#) [DSR02T](#) [DSS 208 N](#) [E2FMX2D1M1TGJ03M](#) [NDI10H](#) [219-9MSTP](#) [204-6ES](#) [EPM02FV](#) [701521596](#) [NDS08V](#) [76SB05](#) [79A10](#) [TD06H0SK1](#) [Z7.255.9027.0](#) [1-1825058-3](#) [1825428-4](#) [219-10LPSTF](#) [E3ZG6111D03M](#) [G4D212PUSTV2DC5](#) [NDI05H](#) [EPG301BT06](#) [206S0117](#)