

REVISIONS					
P	LTR	DESCRIPTION	DATE	DWN	APVD
	A8	REVISED PER ECO-20-003630	13MAR2020	SR	AS

SPECIFICATIONS:

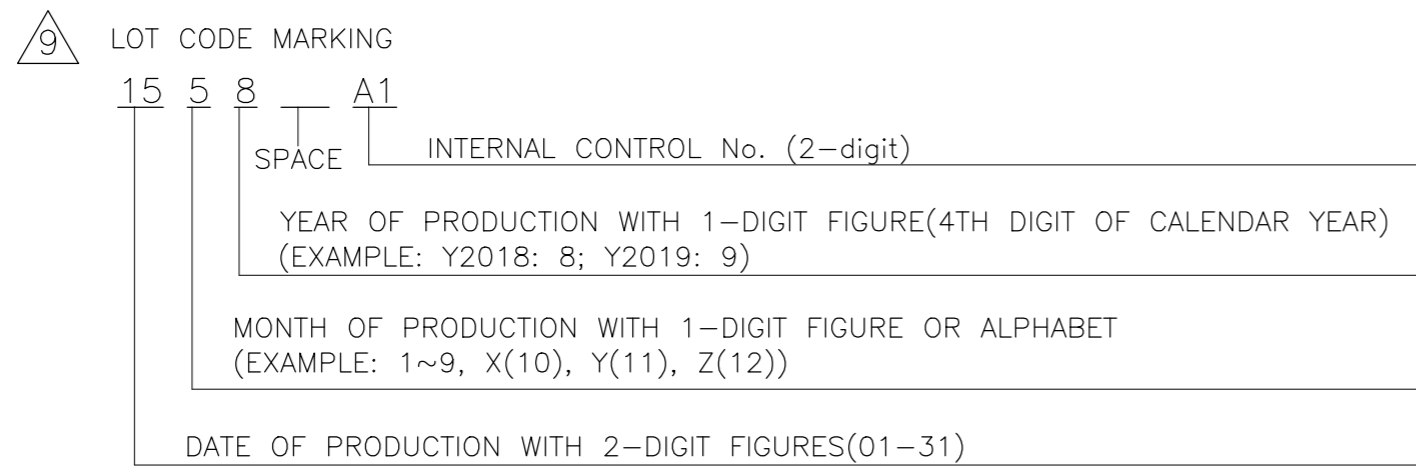
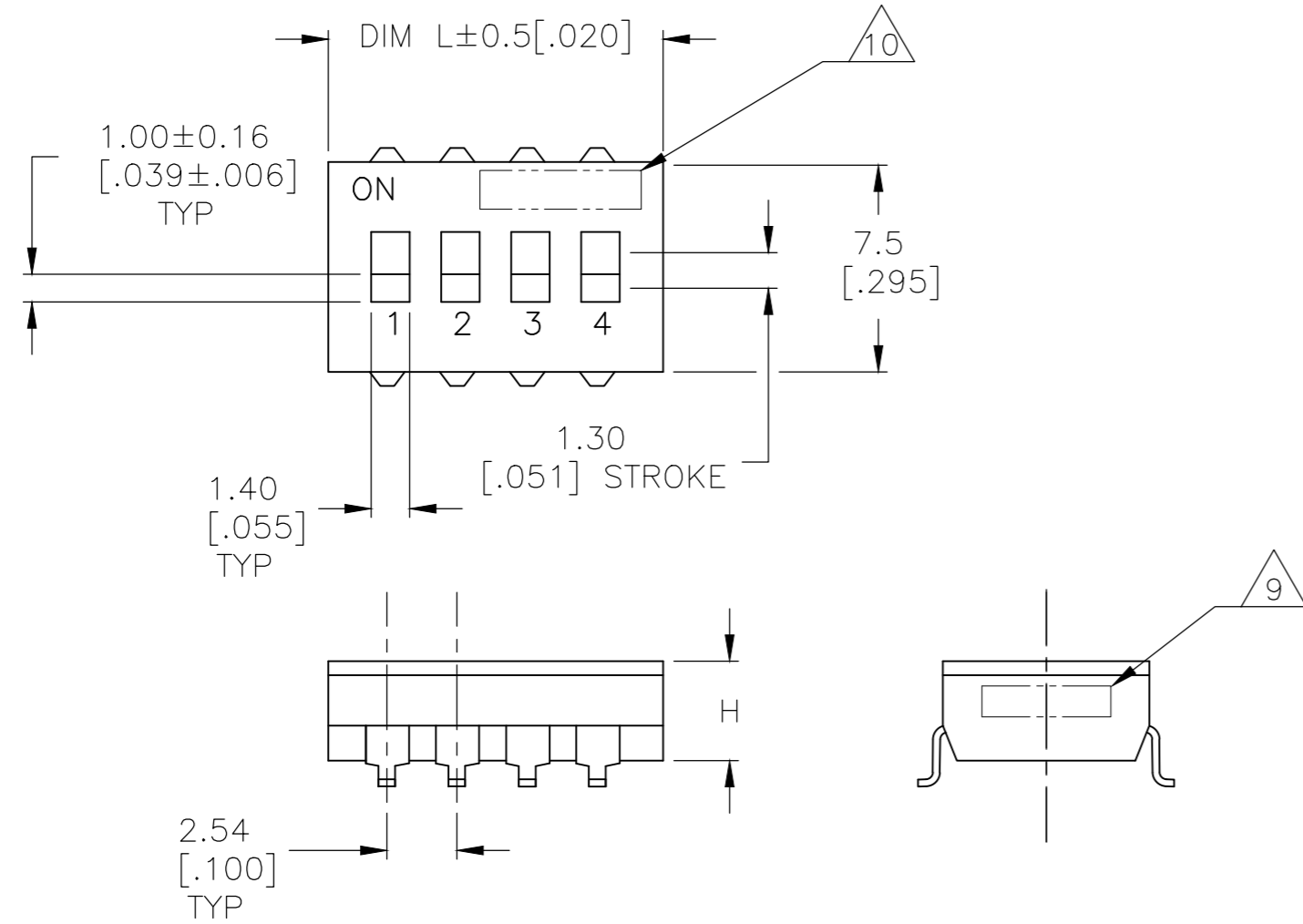
MATERIAL
 BASE, PPS,UL94V-0, BLACK
 COVER, PPS, UL94V-0, BLACK
 ACTUATOR, PA6T, UL94V-0, WHITE
 FIXED CONTACT/TERMINAL, CU ALLOY-GOLD FLASH OVER NICKEL
 MOVING CONTACT, CU ALLOY, PLATE-GOLD FLASH/NICKEL
 TAPE SEAL-POLYIMIDE FILM, AMBER, SEE P/N TABLE FOR OPTIONS

ELECTRICAL
 MAX CONTACT RATING SWITCHING, 100MILLIAMPS @ 24 VDC
 MIN CONTACT RATING SWITCHING, .1MICROAMP @ 1 MILLIVOLT
 MAX CONTACT NON-SWITCHING, 1AMP @ 5 VDC
 INITIAL CONTACT RESISTANCE, 50 MILLIOHMS MAX.
 CONTACT RESISTANCE (AFTER ENVIRONMENTAL TEST), 100 MILLIOHMS
 CONTACT RESISTANCE (AFTER GAS TEST), 300 MILLIOHMS
 INSULATION RESISTANCE, 1,000 MEGOHMS MIN. @ 100 VDC
 DIELECTRIC STRENGTH, 500 VAC RMS @ SEA LEVEL
 LIFE EXPECTANCY, 1,000 CYCLES

MECHANICAL
 OPERATING FORCE, LESS THAN 800 GRAMS
 CONTACT PRESSURE, 280,000 PSI

ENVIRONMENTAL
 OPERATING TEMPERATURE, -30 TO +85 DEGREES C
 STORAGE TEMPERATURE, -45 TO +105 DEGREES C
 CLEANING, AQUEOUS OR SOLVENT
 SOLDER HEAT RESISTANCE, PER 109-201, COND B, SWITCH "OFF".
 SOLDERABILITY PER JIS C 0050 & JIS C 0053.

- SWITCHES TO BE RECEIVED IN THE "OFF" POSITION AND PACKAGED IN CLEAR TUBES TO ACCOMMODATE AUTO-INSERTION OR PACKAGED ON TAPE AND REEL
- TOP SURFACE TO BE CLEARLY MARKED AS SHOWN
- SWITCHES TO BE BLACK WITH WHITE ACTUATORS AND MARKINGS.
- TERMINAL OPTION: OLD T&B P/N ADExxS, SA OR SB
 S= OUTSIDE "L" TERMINALS; SA= INSIDE "L" TERMINALS;
 SB= BUTT TERMINALS
- ALL MATERIALS AND FINISHES SHALL COMPLY WITH EU DIRECTIVE 2002/95/EC OF 27JAN2003 (ROHS)
- TOP TAPE SEAL AVAILABLE, SEE TABLE FOR OPTIONS.
- TAPE AND REEL PACKAGING PER EIA 481.
- 8** OBSOLETE PARTS: OBSOLETE CIS STREAMLINING PER D.RENAUD/D.SINISI

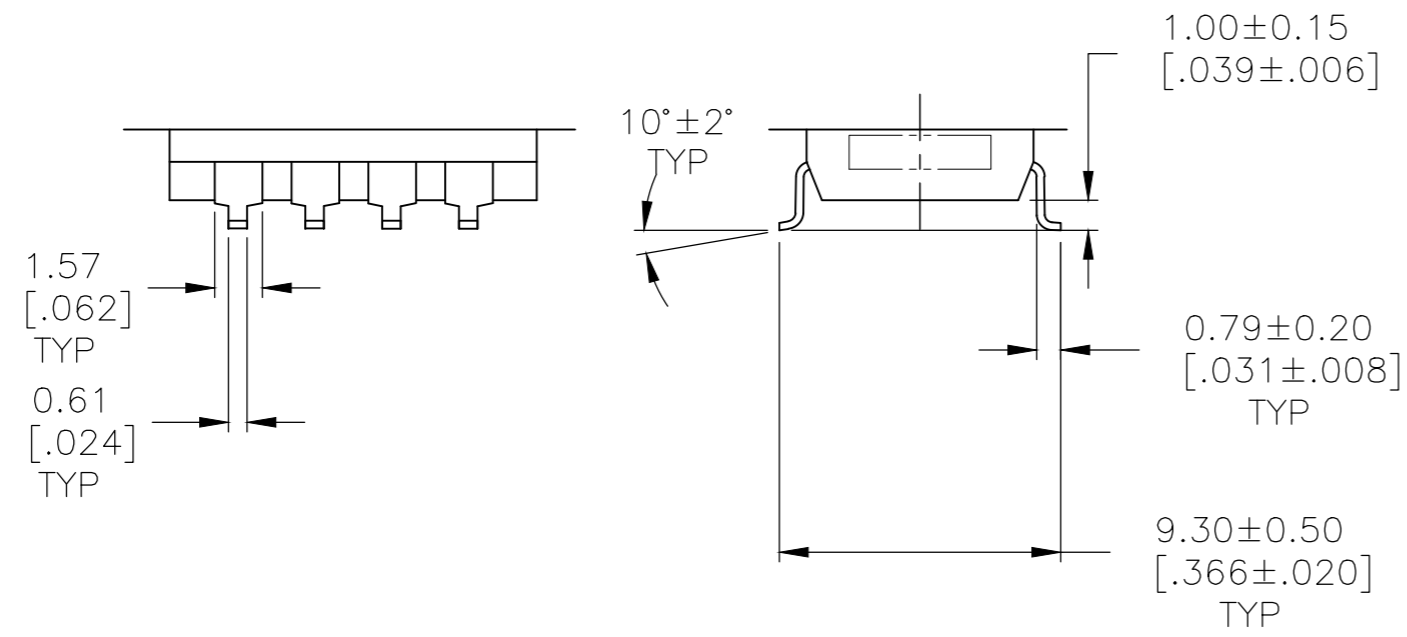


10 MARK ALCO PLUS FIRST 5 DIGITS PER T&B P/N.2 AND 3 POSITION SUPPLIED WITHOUT ALCO

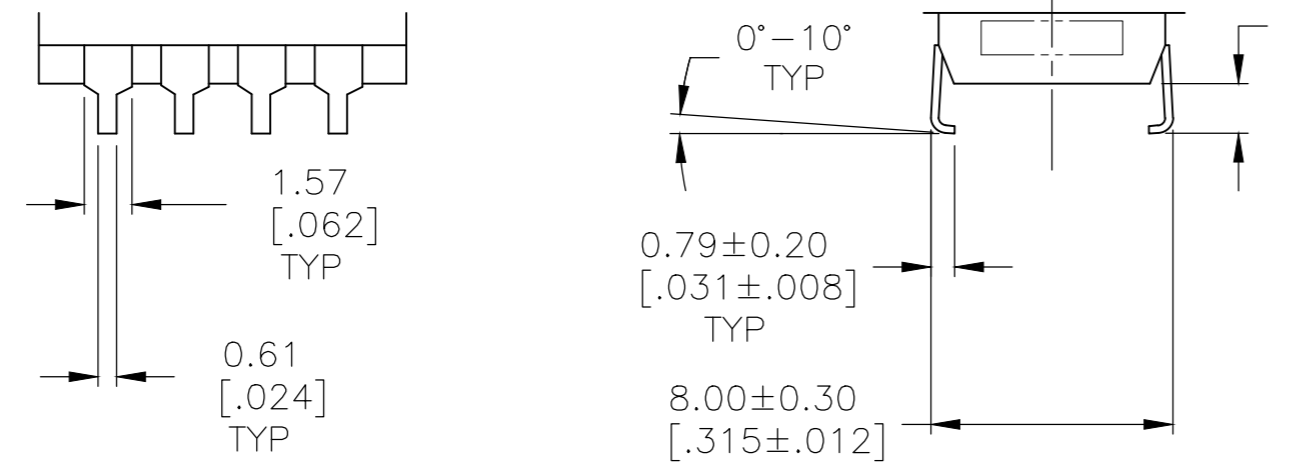
SEE SHEET 3 FOR PART NUMBER TABLE
 SEE SHEET 2 FOR MOUNTING OPTIONS

THIS DRAWING IS A CONTROLLED DOCUMENT.		DWN B.S.VISWESWARA 11FEB05	TE Connectivity	
DIMENSIONS: mm [INCHES]		CHK M.SARVER		
TOLERANCES UNLESS OTHERWISE SPECIFIED:		APVD M.SARVER	DIP SWITCH, ADF-SMT SERIES	
0 PLC ± - 1 PLC ± - 2 PLC ± 0.30[0.012] 3 PLC ± - 4 PLC ± - ANGLES ± -		PRODUCT SPEC -	SIZE A2	CAGE CODE -
MATERIAL -		FINISH -	DRAWING NO C=1825059	RESTRICTED TO -
		WEIGHT	SCALE 4:1	SHEET 1 of 3
		CUSTOMER DRAWING	REV A8	

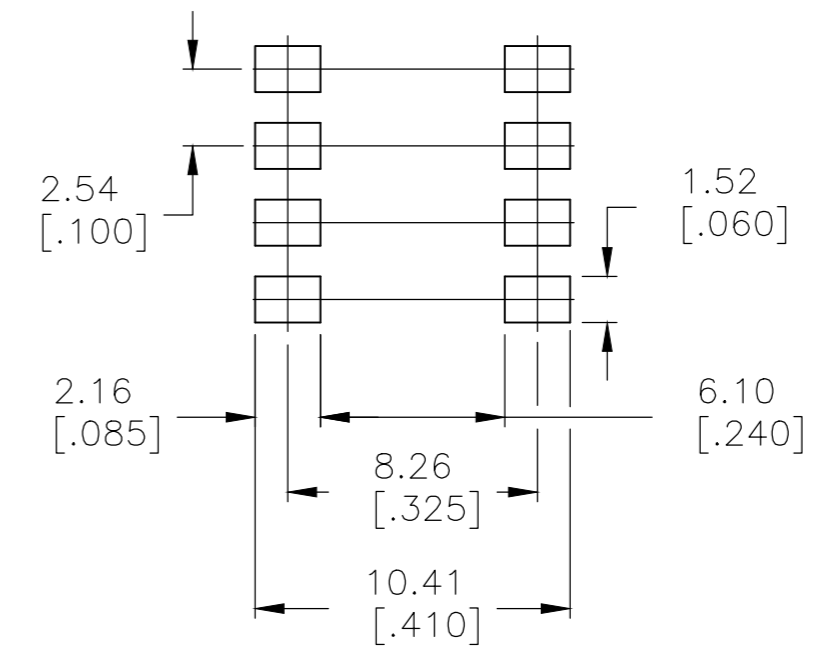
REVISIONS					
P	LTR	DESCRIPTION	DATE	DWN	APVD
-	-	SEE SHEET 1	-	-	-



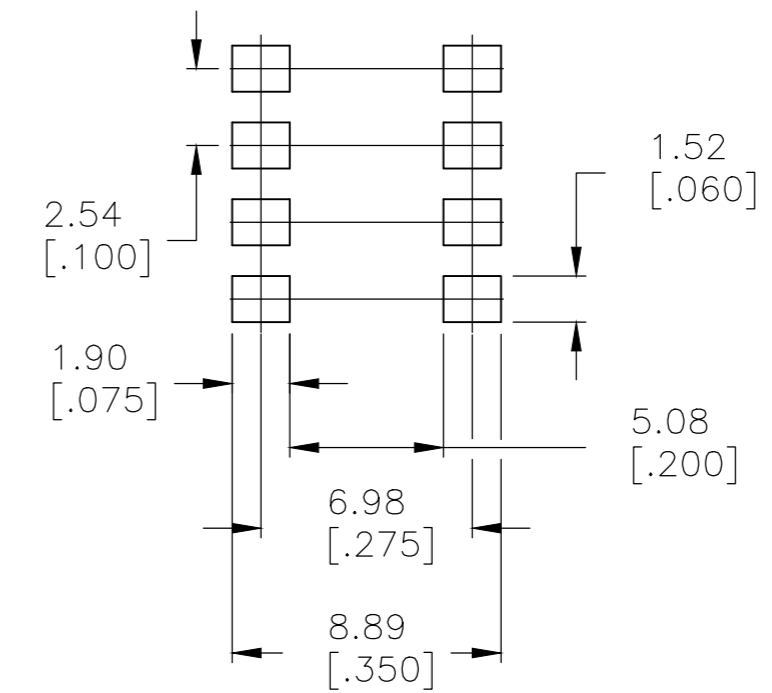
SURFACE MOUNT
S (OUTSIDE "L")



SURFACE MOUNT
SA (INSIDE "L")



RECOMMENDED PAD LAYOUT



RECOMMENDED PAD LAYOUT


THIS DRAWING IS A CONTROLLED DOCUMENT.		DWN B.S.VISWESWARA 11FEB05																				
DIMENSIONS: mm [INCHES]		CHK M.SARVER			NAME																	
TOLERANCES UNLESS OTHERWISE SPECIFIED:		APVD M.SARVER	DIP SWITCH, ADF-SMT SERIES																			
<table border="1"> <tr><td>0 PLC</td><td>±</td><td>-</td></tr> <tr><td>1 PLC</td><td>±</td><td>-</td></tr> <tr><td>2 PLC</td><td>±</td><td>0.30[.012]</td></tr> <tr><td>3 PLC</td><td>±</td><td>-</td></tr> <tr><td>4 PLC</td><td>±</td><td>-</td></tr> <tr><td>ANGLES</td><td>±</td><td>-</td></tr> </table>		0 PLC	±	-	1 PLC	±	-	2 PLC	±	0.30[.012]	3 PLC	±	-	4 PLC	±	-	ANGLES	±	-	PRODUCT SPEC	SIZE	RESTRICTED TO
0 PLC	±	-																				
1 PLC	±	-																				
2 PLC	±	0.30[.012]																				
3 PLC	±	-																				
4 PLC	±	-																				
ANGLES	±	-																				
MATERIAL	FINISH	APPLICATION SPEC	CAGE CODE	DRAWING NO																		
-	-	WEIGHT	-	1825059																		
CUSTOMER DRAWING			SCALE	SHEET																		
			4:1	2 OF 3																		
			REV	A8																		

THIS DRAWING IS UNPUBLISHED. RELEASED FOR PUBLICATION 1825059, 1825059
 © COPYRIGHT 1825059y - ALL RIGHTS RESERVED.

REVISIONS					
P	LTR	DESCRIPTION	DATE	DWN	APVD
-	-	SEE SHEET 1	-	-	-

	ADF05STR04	3.50[.138]	14.68[.578]	NO	5	6-1825059-4
	ADF10STR04	3.50[.138]	27.36[1.078]	NO	10	6-1825059-2
	ADF03STR04	3.50[.138]	9.60[.378]	NO	3	6-1825059-1
OBSOLETE	ADF12STTR04	3.61[.142]	32.51[1.280]	YES	12	6-1825059-0
OBSOLETE	ADF12ST04	3.61[.142]	32.51[1.280]	YES	12	5-1825059-9
OBSOLETE	ADF12SATTR04	3.61[.142]	32.51[1.280]	YES	12	5-1825059-8
OBSOLETE	ADF12SAT04	3.61[.142]	32.51[1.280]	YES	12	5-1825059-7
OBSOLETE	ADF12SA04	3.61[.142]	32.51[1.280]	NO	12	5-1825059-6
OBSOLETE	ADF12S04	3.61[.142]	32.51[1.280]	NO	12	5-1825059-5
	ADF10STTR04	3.50[.138]	27.36[1.078]	YES	10	5-1825059-4
	ADF10ST04	3.50[.138]	27.36[1.078]	YES	10	5-1825059-3
OBSOLETE	ADF10SATTR04	3.50[.138]	27.36[1.078]	YES	10	5-1825059-2
OBSOLETE	ADF10SAT04	3.50[.138]	27.36[1.078]	YES	10	5-1825059-1
OBSOLETE	ADF10SA04	3.50[.138]	27.36[1.078]	NO	10	5-1825059-0
	ADF10S04	3.50[.138]	27.36[1.078]	NO	10	4-1825059-9
	ADF09STTR04	3.50[.138]	24.54[.978]	YES	9	4-1825059-8
OBSOLETE	ADF09ST04	3.50[.138]	24.54[.978]	YES	9	4-1825059-7
OBSOLETE	ADF09SATTR04	3.50[.138]	24.54[.978]	YES	9	4-1825059-6
OBSOLETE	ADF09SAT04	3.50[.138]	24.54[.978]	YES	9	4-1825059-5
OBSOLETE	ADF09SA04	3.50[.138]	24.54[.978]	NO	9	4-1825059-4
	T&B P/N	DIM H	DIM L	SEAL	POS	PART NO.

OBSOLETE	ADF09S04	3.50[.138]	24.54[.978]	NO	9	4-1825059-3
	ADF08STTR04	3.50[.138]	22.30[.878]	YES	8	4-1825059-2
	ADF08ST04	3.50[.138]	22.30[.878]	YES	8	4-1825059-1
	ADF08SATTR04	3.50[.138]	22.30[.878]	YES	8	4-1825059-0
OBSOLETE	ADF08SAT04	3.50[.138]	22.30[.878]	YES	8	3-1825059-9
	ADF08SA04	3.50[.138]	22.30[.878]	NO	8	3-1825059-8
	ADF08S04	3.50[.138]	22.30[.878]	NO	8	3-1825059-7
	ADF07STTR04	3.50[.138]	19.76[.778]	YES	7	3-1825059-6
	ADF07ST04	3.50[.138]	19.76[.778]	YES	7	3-1825059-5
OBSOLETE	ADF07SATTR04	3.50[.138]	19.76[.778]	YES	7	3-1825059-4
OBSOLETE	ADF07SAT04	3.50[.138]	19.76[.778]	YES	7	3-1825059-3
OBSOLETE	ADF07SA04	3.50[.138]	19.76[.778]	NO	7	3-1825059-2
	ADF07S04	3.50[.138]	19.76[.778]	NO	7	3-1825059-1
	ADF06STTR04	3.50[.138]	17.22[.678]	YES	6	3-1825059-0
	ADF06ST04	3.50[.138]	17.22[.678]	YES	6	2-1825059-9
OBSOLETE	ADF06SATTR04	3.50[.138]	17.22[.678]	YES	6	2-1825059-8
OBSOLETE	ADF06SAT04	3.50[.138]	17.22[.678]	YES	6	2-1825059-7
OBSOLETE	ADF06SA04	3.50[.138]	17.22[.678]	NO	6	2-1825059-6
	ADF06S04	3.50[.138]	17.22[.678]	NO	6	2-1825059-5
	ADF05STTR04	3.50[.138]	14.68[.578]	YES	5	2-1825059-4
	ADF05ST04	3.50[.138]	14.68[.578]	YES	5	2-1825059-3
OBSOLETE	ADF05SATTR04	3.50[.138]	14.68[.578]	YES	5	2-1825059-2
OBSOLETE	ADF05SAT04	3.50[.138]	14.68[.578]	YES	5	2-1825059-1
OBSOLETE	ADF05SA04	3.50[.138]	14.68[.578]	NO	5	2-1825059-0
	ADF05S04	3.50[.138]	14.68[.578]	NO	5	1-1825059-9
	ADF04STTR04	3.50[.138]	12.14[.478]	YES	4	1-1825059-8
	ADF04ST04	3.50[.138]	12.14[.478]	YES	4	1-1825059-7
	ADF04SATTR04	3.50[.138]	12.14[.478]	YES	4	1-1825059-6
	ADF04SAT04	3.50[.138]	12.14[.478]	YES	4	1-1825059-5
	ADF04SA04	3.50[.138]	12.14[.478]	NO	4	1-1825059-4
	ADF04S04	3.50[.138]	12.14[.478]	NO	4	1-1825059-3
	ADF03STTR04	3.50[.138]	9.60[.378]	YES	3	1-1825059-2
	ADF03ST04	3.50[.138]	9.60[.378]	YES	3	1-1825059-1
OBSOLETE	ADF03SATTR04	3.50[.138]	9.60[.378]	YES	3	1-1825059-0
OBSOLETE	ADF03SAT04	3.50[.138]	9.60[.378]	YES	3	1-1825059-9
OBSOLETE	ADF03SA04	3.50[.138]	9.60[.378]	NO	3	1-1825059-8
	ADF03S04	3.50[.138]	9.60[.378]	NO	3	1-1825059-7
	ADF02STTR04	3.50[.138]	7.06[.278]	YES	2	1-1825059-6
	ADF02ST04	3.50[.138]	7.06[.278]	YES	2	1-1825059-5
OBSOLETE	ADF02SATTR04	3.50[.138]	7.06[.278]	YES	2	1-1825059-4
	ADF02SAT04	3.50[.138]	7.06[.278]	YES	2	1-1825059-3
OBSOLETE	ADF02SA04	3.50[.138]	7.06[.278]	NO	2	1-1825059-2
	ADF02S04	3.50[.138]	7.06[.278]	NO	2	1-1825059-1
	T&B P/N	DIM H	DIM L	SEAL	POS	PART NO.

THIS DRAWING IS A CONTROLLED DOCUMENT.		DWN B.S.VISWESWARA	11FEB05	 TE Connectivity	
DIMENSIONS: mm [INCHES]		CHK M.SARVER	APVD M.SARVER		
TOLERANCES UNLESS OTHERWISE SPECIFIED:		PRODUCT SPEC		DIP SWITCH, ADF-SMT SERIES	
0 PLC ± - 1 PLC ± - 2 PLC ± 0.30[.012] 3 PLC ± - 4 PLC ± - ANGLES ± -		APPLICATION SPEC		SIZE	RESTRICTED TO
MATERIAL		WEIGHT		CAGE CODE	DRAWING NO
FINISH		CUSTOMER DRAWING		SCALE	SHEET
				A2	3 of 3
				1825059	REV A8

X-ON Electronics

Largest Supplier of Electrical and Electronic Components

Click to view similar products for [DIP Switches/SIP Switches](#) category:

Click to view products by [TE Connectivity](#) manufacturer:

Other Similar products are found below :

[78M03S](#) [79B10T](#) [8136-475G4T](#) [G7G-1A2-CB-DC12](#) [A7SS-M](#) [DBP 2110](#) [DBP 2112](#) [DBS1008](#) [DHN02FTVTR](#) [DHS108](#) [DRD16CSE04](#)
[DRR60016](#) [DRS4016](#) [BD06E](#) [1825008-1](#) [1825444-1](#) [25.350.0653.0](#) [LA2-DC12](#) [SBS 5004 TG](#) [SDA10H1BDA](#) [97R06ST](#) [A2C-2A5](#)
[1825444-7](#) [ADE08SA04](#) [ADE12S04](#) [2-1825058-8](#) [CCVA 2.5/ 4-G-5.08](#) [P26THRR32](#) [25.330.0653.1](#) [25.352.0353.0](#) [IKN0600000](#)
[IKN0800000](#) [LA2-002-DC24](#) [DBP2008](#) [DBS1003](#) [DBS2008](#) [438872000](#) [DRD10CRAE04](#) [DRS1604](#) [DSR02T](#) [DSS 208 N](#) [5-1825033-1](#)
[106-SDN06-EV](#) [1-1437507-6](#) [E2FMX2D1M1TGJ03M](#) [E3ZMCT81M1TJ03M](#) [NDI10H](#) [NDIR03ST](#) [204-3STR](#) [EPM02FV](#) [2161394-2](#)