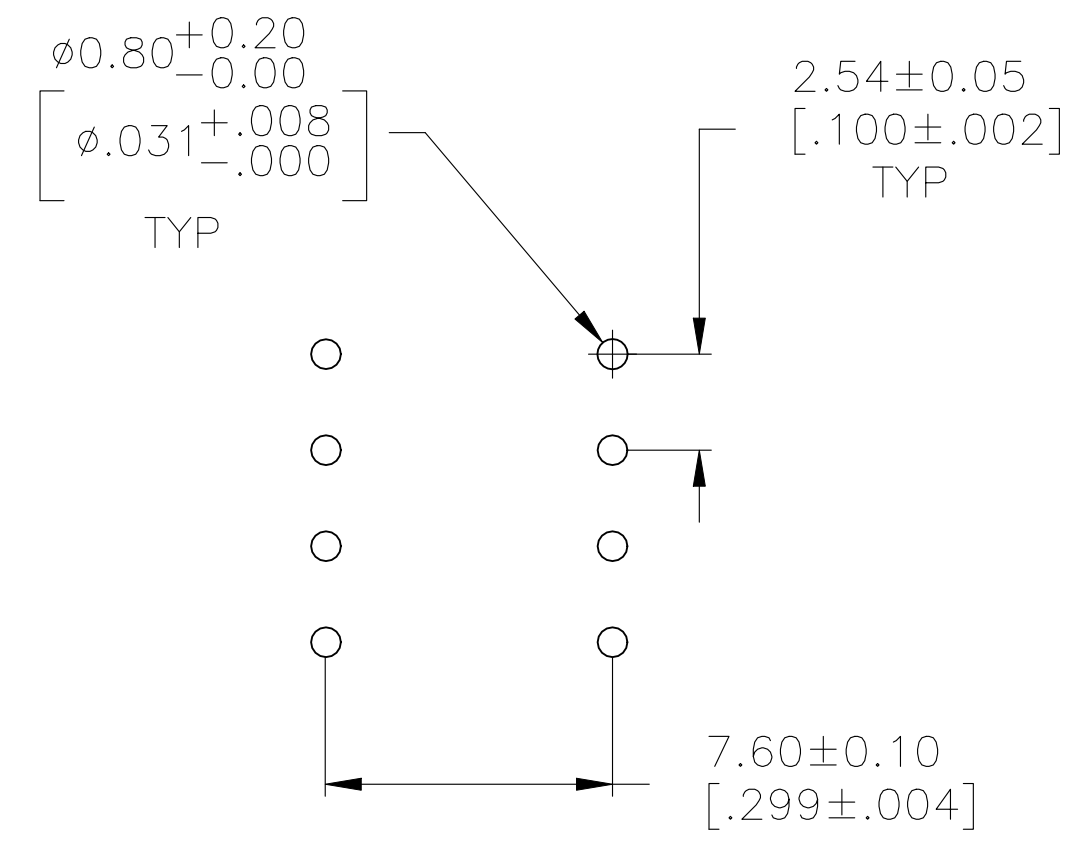
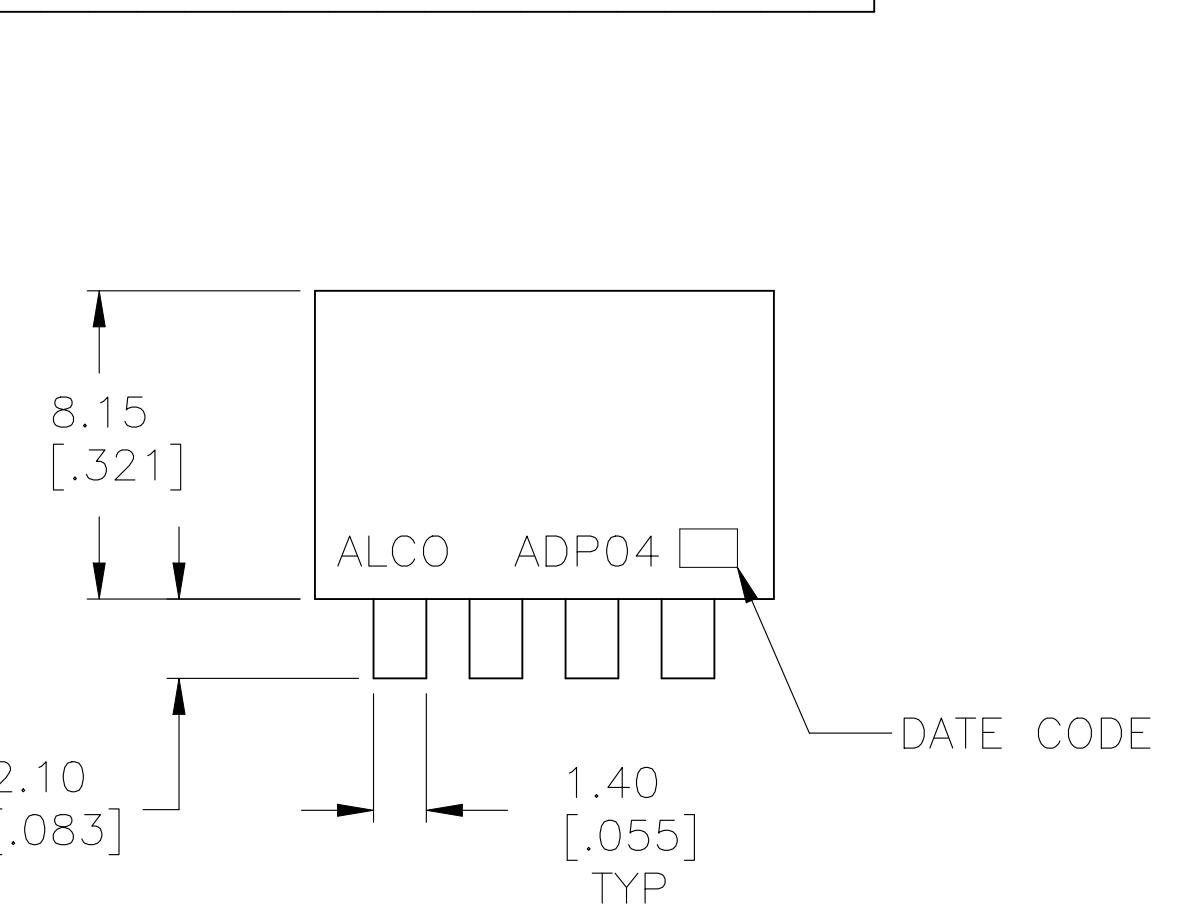
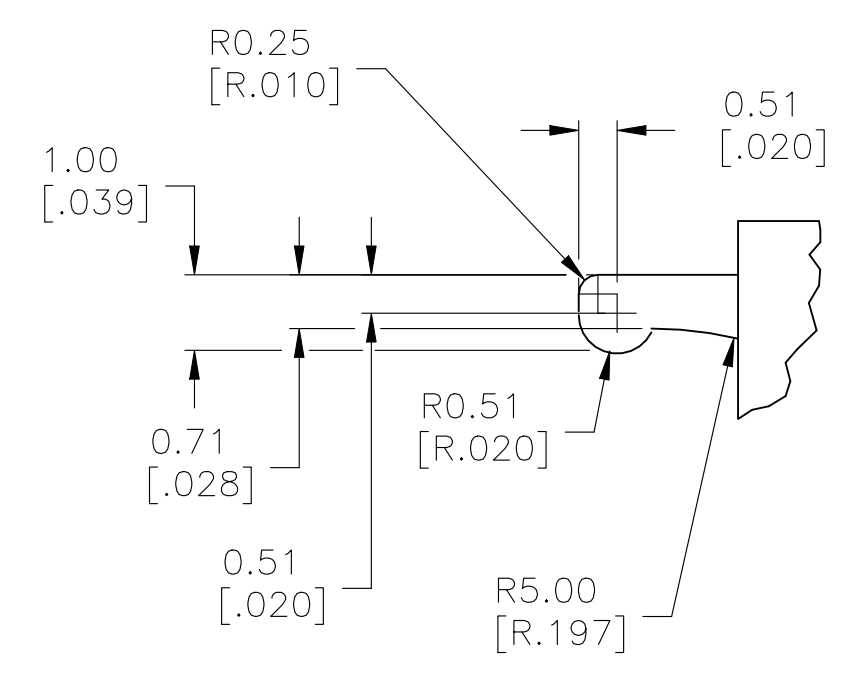
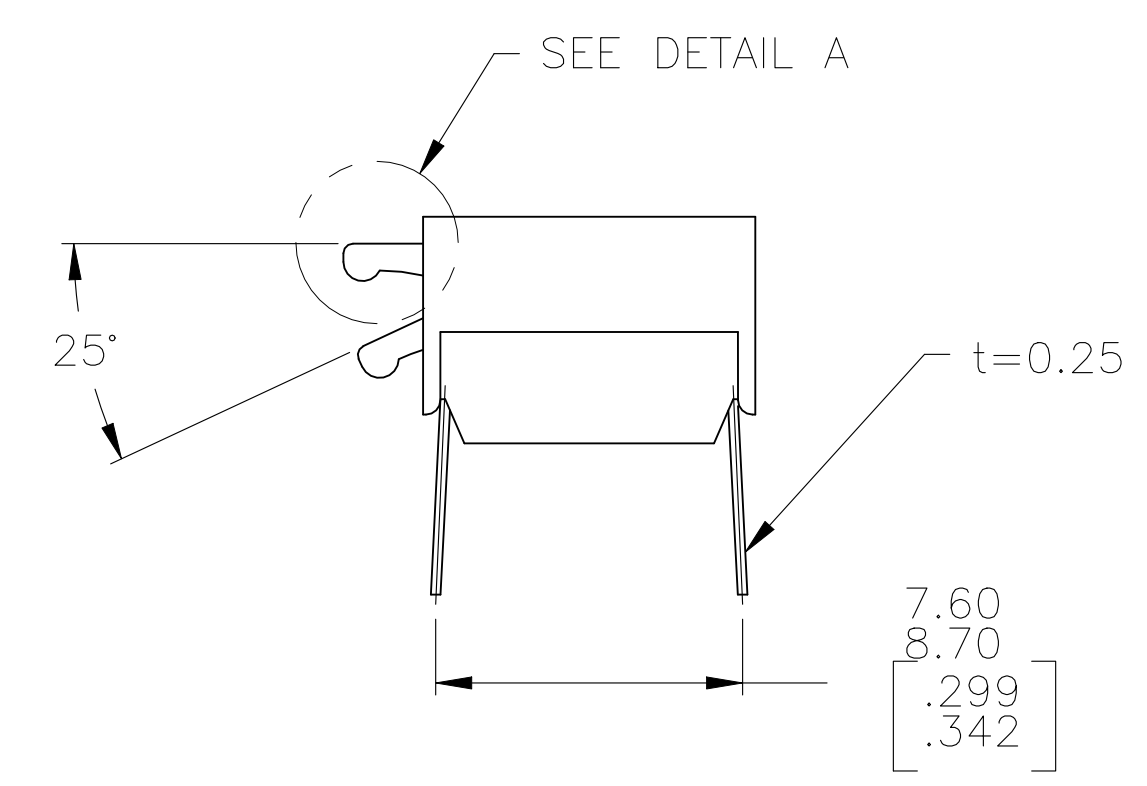
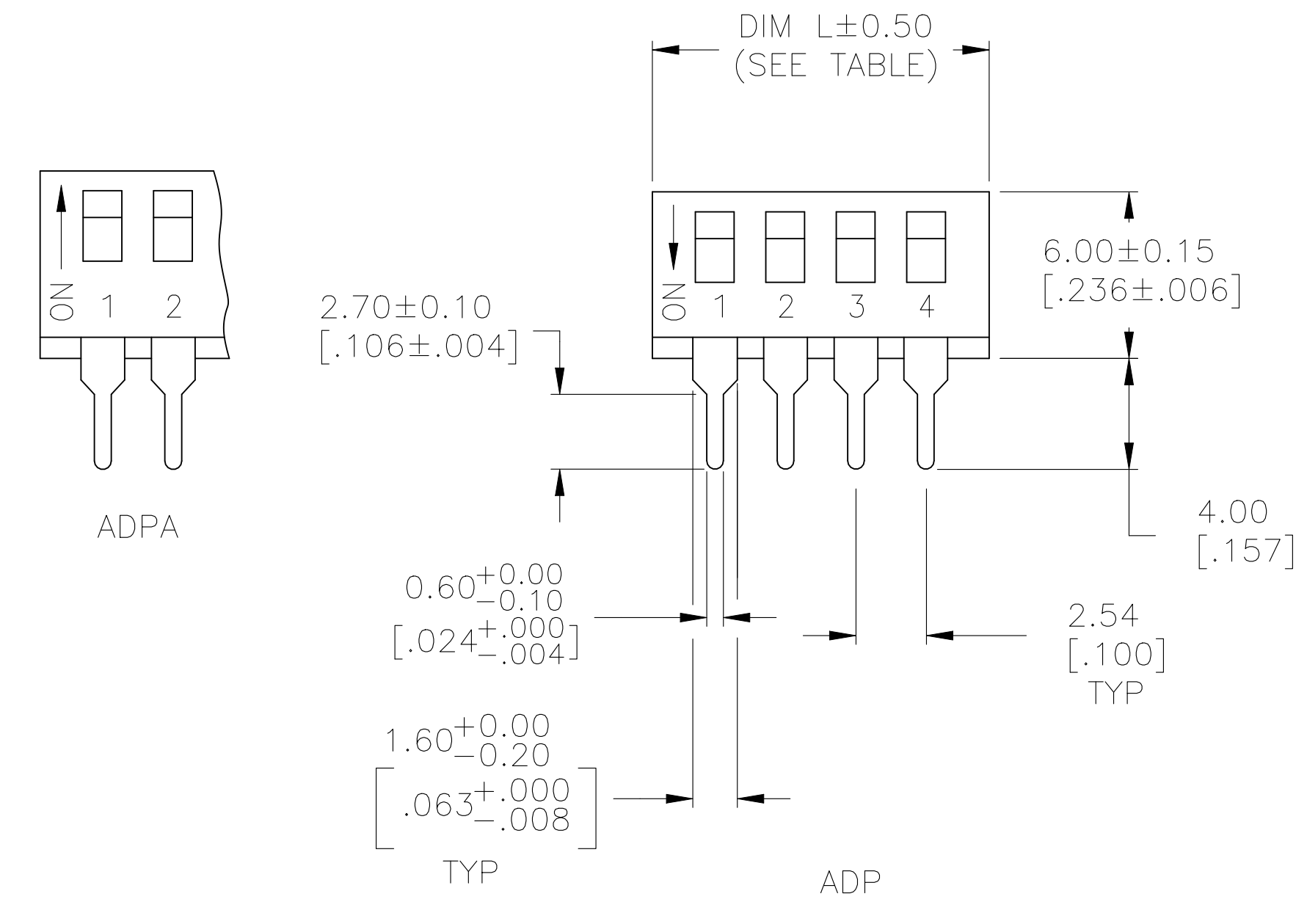


REVISIONS				
REV	DATE	BY	APP'D	DESCRIPTION
E	17AUG2021	GSK	JB	REVISED PER ECR-21-005929



RECOMMENDED HOLE LAYOUT



DETAIL A SCALE: 10:1

SPECIFICATIONS:

MATERIAL:
CASE: PPS 94V-0, BLACK
COVER: PPS 94V-0, BLACK
ACTUATOR: NYLON PA6T 94V-0, WHITE
MOVING CONTACT: COPPER ALLOY, GOLD OVER NICKEL PLATE.
FIXED CONTACT/TERMINAL: COPPER ALLOY, GOLD OVER NICKEL PLATE.

ELECTRICAL:
MAX RATING (SWITCHING) 100mA@5VDC (Ampere MAX.) 25mA@24VDC (Voltage MAX.)
MIN (SWITCHING) 0.10 MICROAMPS @1 MILLIVOLT,
MAX (NON-SWITCHING) 1 AMP @ 5V DC INITIAL
CONTACT RESISTANCE: 50 MILLIOHMS MAX.
INSULATION RESISTANCE: 100 MEGOHMS MIN. @ 100 VDC.
DIELECTRIC STRENGTH: 300V AC FOR 1 MINUTE.
ELECTRICAL LIFE, 1,000 CYCLES (10mA@5VDC)"
WITHSTAND VOLTAGE, 300VAC for 1 min BETWEEN THE SAME POLES".

MECHANICAL:
ACTUATION FORCE: 800g MAX.

ENVIRONMENTAL:
OPERATING TEMPERATURE: -22°F TO +185°F (-30°C TO +85°C).
STORAGE TEMPERATURE: -40°F TO +121°F (-40°C TO +85°C).
SOLDER HEAT RESISTANCE TO 265±3°C FOR 8±2 SECONDS.
SOLDERABILITY PER JIS C 0050 & JIS C 0053

- CONTACT PRESSURE: 2.9N min.
 - CLEANING: AQUEOUS SOLUTION OR SOLVENT.
 - PACKAGING OPTIONS- CLEAR TUBES OR TAPE AND REEL PER EIA-481 SWITCH SUPPLIED IN THE "OFF" POSITION UNLESS "ON" IS SPECIFIED IN THE ALCO PART NUMBER (SEE PART NUMBER TABLE FOR ALL OPTIONS)
 - TOP & FRONT SURFACES TO BE CLEARLY MARKED AS SHOWN.
 - SWITCHES TO BE BLACK WITH WHITE ACTUATORS AND MARKINGS.
 - ALL MATERIAL AND FINISHES SHALL COMPLY WITH EU DIRECTIVE 2002/95/EC OF 27JAN2003 (ROHS)
- ⚠️ OBSOLETE PARTS: OBSOLETE CIS STREAMLINING PER D.RENAUD/D.SINISI

SEE SHEET 2 FOR SURFACE MOUNT OPTIONS AND DIMENSIONS.

REV	DESCRIPTION	QTY	LEAD	DATE	BY	APP'D	
OBSOLETE	TAPE & REEL	2	7.06 [.278]			ADPA02STR04	6-1571999-5
OBSOLETE	TUBE	10	27.38 [1.078]			ADPA10SA04	6-1571999-4
OBSOLETE	TUBE	10	27.38 [1.078]			ADPA10S04	6-1571999-3
OBSOLETE	TUBE	10	27.38 [1.078]			ADPA1004	6-1571999-2
OBSOLETE	TUBE	9	24.84 [.978]			ADPA09SA04	6-1571999-1
OBSOLETE	TUBE	9	24.84 [.978]			ADPA09S04	6-1571999-0
OBSOLETE	TUBE	9	24.84 [.978]			ADPA0904	5-1571999-9
OBSOLETE	TUBE	8	22.30 [.878]			ADPA08SA04	5-1571999-8
OBSOLETE	TUBE	8	22.30 [.878]			ADPA08S04	5-1571999-7
OBSOLETE	TUBE	8	22.30 [.878]			ADPA0804	5-1571999-6
OBSOLETE	TUBE	7	19.76 [.778]			ADPA07SA04	5-1571999-5
OBSOLETE	TUBE	7	19.76 [.778]			ADPA07S04	5-1571999-4
OBSOLETE	TUBE	7	19.76 [.778]			ADPA0704	5-1571999-3
OBSOLETE	TUBE	6	17.22 [.678]			ADPA06SA04	5-1571999-2
OBSOLETE	TUBE	6	17.22 [.678]			ADPA06S04	5-1571999-1
OBSOLETE	TUBE	6	17.22 [.678]			ADPA0604	5-1571999-0
OBSOLETE	TUBE	5	14.68 [.578]			ADPA05SA04	4-1571999-9
OBSOLETE	TUBE	5	14.68 [.578]			ADPA05S04	4-1571999-8
OBSOLETE	TUBE	5	14.68 [.578]			ADPA0504	4-1571999-7
OBSOLETE	TUBE	4	12.14 [.478]			ADPA04SA04	4-1571999-6
OBSOLETE	TUBE	4	12.14 [.478]			ADPA04S04	4-1571999-5
OBSOLETE	TUBE	4	12.14 [.478]			ADPA0404	4-1571999-4
OBSOLETE	TUBE	2	7.06 [.278]			ADPA02SA04	4-1571999-3
OBSOLETE	TUBE	2	7.06 [.278]			ADPA02S04	4-1571999-2
OBSOLETE	TUBE	2	7.06 [.278]			ADPA0204	4-1571999-1
OBSOLETE	TAPE & REEL SWITCH ON	10	27.38 [1.078]			ADP10STR0N04	4-1571999-0
OBSOLETE	TAPE & REEL	10	27.38 [1.078]			ADP10STR04	3-1571999-9
OBSOLETE	TUBE	10	27.38 [1.078]			ADP10SA04	3-1571999-8
OBSOLETE	TUBE	10	27.38 [1.078]			ADP10S04	3-1571999-7
OBSOLETE	TUBE	10	27.38 [1.078]			ADP1004	3-1571999-6
OBSOLETE	TAPE & REEL SWITCH ON	9	24.84 [.978]			ADP09STR0N04	3-1571999-5
OBSOLETE	TAPE & REEL	9	24.84 [.978]			ADP09STR04	3-1571999-4
OBSOLETE	TUBE	9	24.84 [.978]			ADP09SA04	3-1571999-3
OBSOLETE	TUBE	9	24.84 [.978]			ADP09S04	3-1571999-2
OBSOLETE	TUBE	9	24.84 [.978]			ADP0904	3-1571999-1
OBSOLETE	TAPE & REEL SWITCH ON	8	22.30 [.878]			ADP08STR0N04	3-1571999-0
OBSOLETE	TAPE & REEL	8	22.30 [.878]			ADP08STR04	2-1571999-9
OBSOLETE	TUBE	8	22.30 [.878]			ADP08SA04	2-1571999-8
OBSOLETE	TUBE	8	22.30 [.878]			ADP08S04	2-1571999-7
OBSOLETE	TUBE	8	22.30 [.878]			ADP0804	2-1571999-6
OBSOLETE	TAPE & REEL SWITCH ON	7	19.76 [.778]			ADP07STR0N04	2-1571999-5
OBSOLETE	TAPE & REEL	7	19.76 [.778]			ADP07STR04	2-1571999-4
OBSOLETE	TUBE	7	19.76 [.778]			ADP07SA04	2-1571999-3
OBSOLETE	TUBE	7	19.76 [.778]			ADP07S04	2-1571999-2
OBSOLETE	TUBE	7	19.76 [.778]			ADP0704	2-1571999-1
OBSOLETE	TAPE & REEL SWITCH ON	6	17.22 [.678]			ADP06STR0N04	2-1571999-0
OBSOLETE	TAPE & REEL	6	17.22 [.678]			ADP06STR04	1-1571999-9
OBSOLETE	TUBE	6	17.22 [.678]			ADP06SA04	1-1571999-8
OBSOLETE	TUBE	6	17.22 [.678]			ADP06S04	1-1571999-7
OBSOLETE	TUBE	6	17.22 [.678]			ADP0604	1-1571999-6
OBSOLETE	TAPE & REEL SWITCH ON	5	14.68 [.578]			ADP05STR0N04	1-1571999-5
OBSOLETE	TAPE & REEL	5	14.68 [.578]			ADP05STR04	1-1571999-4
OBSOLETE	TUBE	5	14.68 [.578]			ADP05SA04	1-1571999-3
OBSOLETE	TUBE	5	14.68 [.578]			ADP05S04	1-1571999-2
OBSOLETE	TUBE	5	14.68 [.578]			ADP0504	1-1571999-1
OBSOLETE	TAPE & REEL SWITCH ON	4	12.14 [.478]			ADP04STR0N04	1-1571999-0
OBSOLETE	TAPE & REEL	4	12.14 [.478]			ADP04STR04	1571999-9
OBSOLETE	TUBE	4	12.14 [.478]			ADP04SA04	1571999-8
OBSOLETE	TUBE	4	12.14 [.478]			ADP04S04	1571999-7
OBSOLETE	TUBE	4	12.14 [.478]			ADP0404	1571999-6
OBSOLETE	TAPE & REEL SWITCH ON	2	7.00 ± 0.50 [.276 ± .020]			ADP02STR0N04	1571999-5
OBSOLETE	TAPE & REEL	2	7.00 ± 0.50 [.276 ± .020]			ADP02STR04	1571999-4
OBSOLETE	TUBE	2	7.00 ± 0.50 [.276 ± .020]			ADP02SA04	1571999-3
OBSOLETE	TUBE	2	7.00 ± 0.50 [.276 ± .020]			ADP02S04	1571999-2
OBSOLETE	TUBE	2	7.00 ± 0.50 [.276 ± .020]			ADP0204	1571999-1
	PACKAGING	Pole	Dim L	Old T&B P/N		P/N	

THIS DRAWING IS A CONTROLLED DOCUMENT.

DIMENSIONS: mm [INCHES]	TOLERANCES UNLESS OTHERWISE SPECIFIED:	DIN M. BINNER 14FEB05	15FEB05
0. PLC ± -	1. PLC ± -	2. PLC ± -	3. PLC ± -
4. PLC ± -	ANGLES ± 1°		

MATERIAL: - FINISH: -

APPROVED: M. SARVER 15FEB05

NAME: M. SARVER

PRODUCT SPEC: -



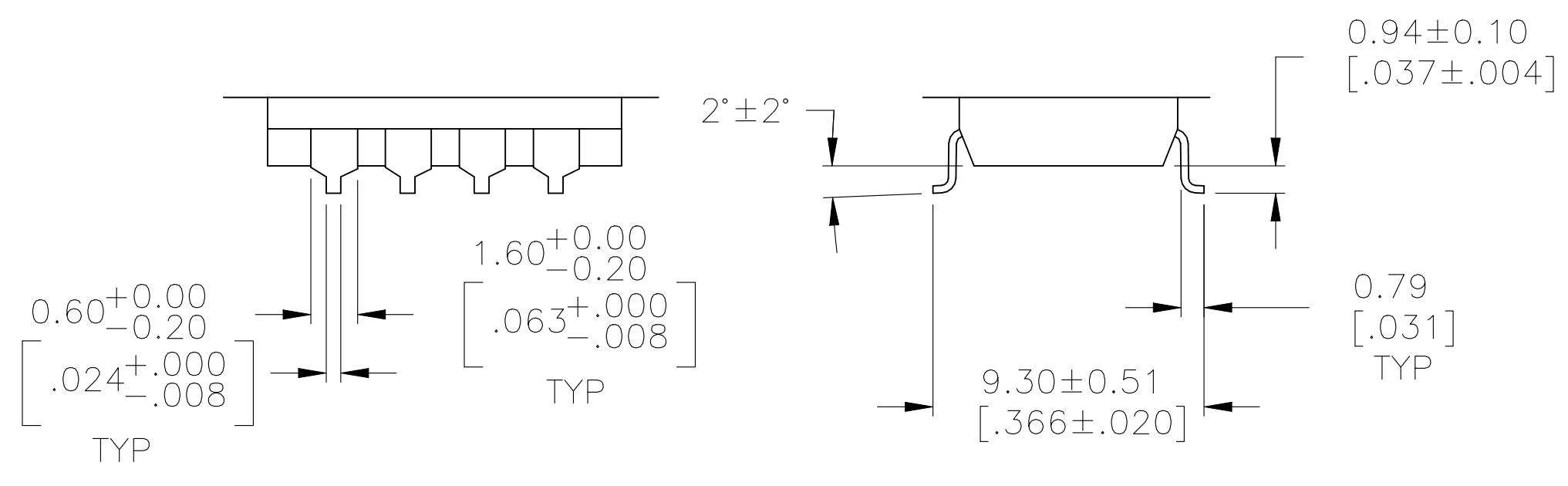
TE Connectivity

DIP SWITCH ASSEMBLY ADP/PA SERIES

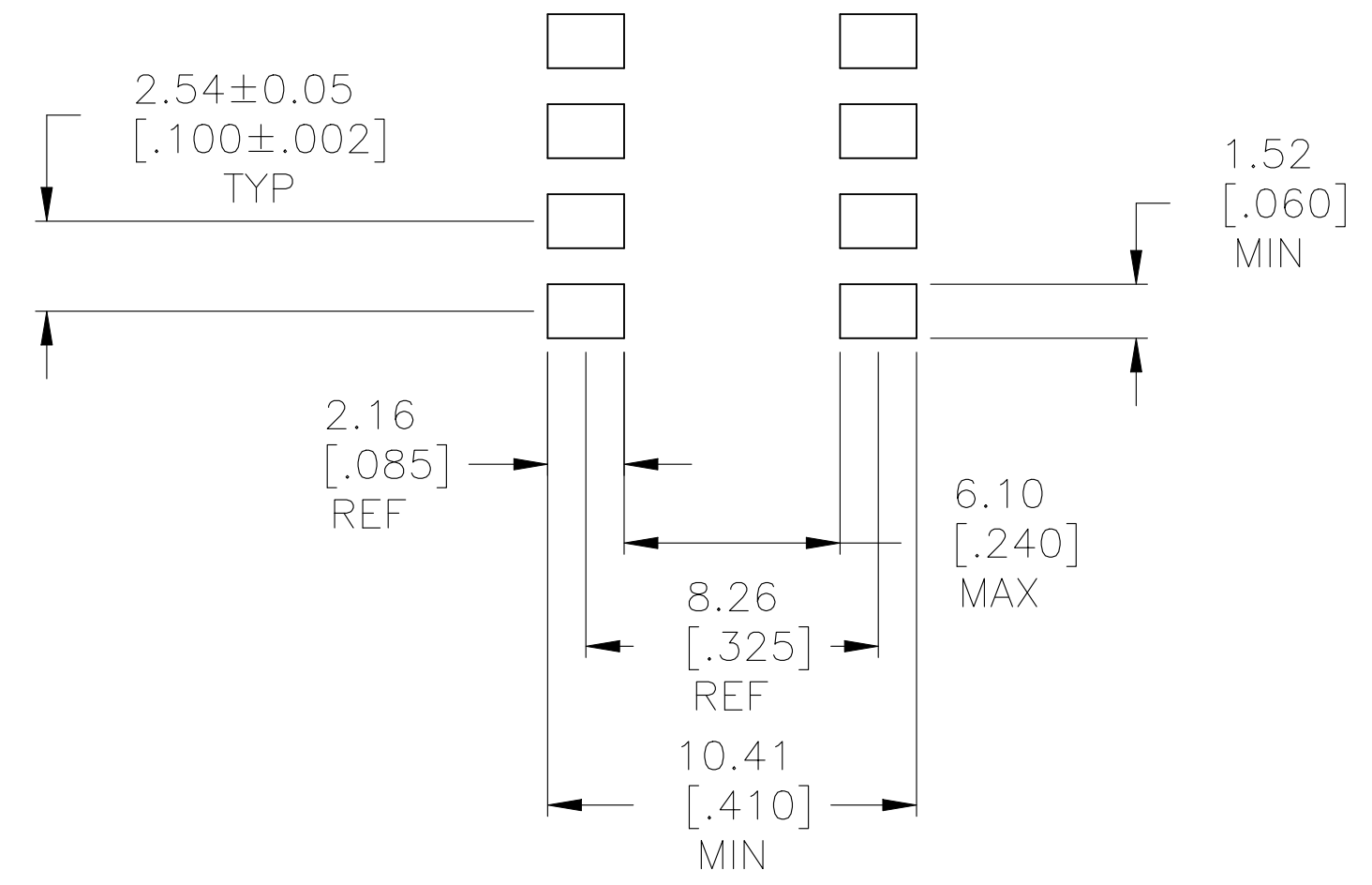
SIZE: A1 CAGE CODE: 00779 DRAWING NO: 1571999 RESTRICTED TO: -

CUSTOMER DRAWING SCALE: 1:1 SHEET 1 OF 2 REV E

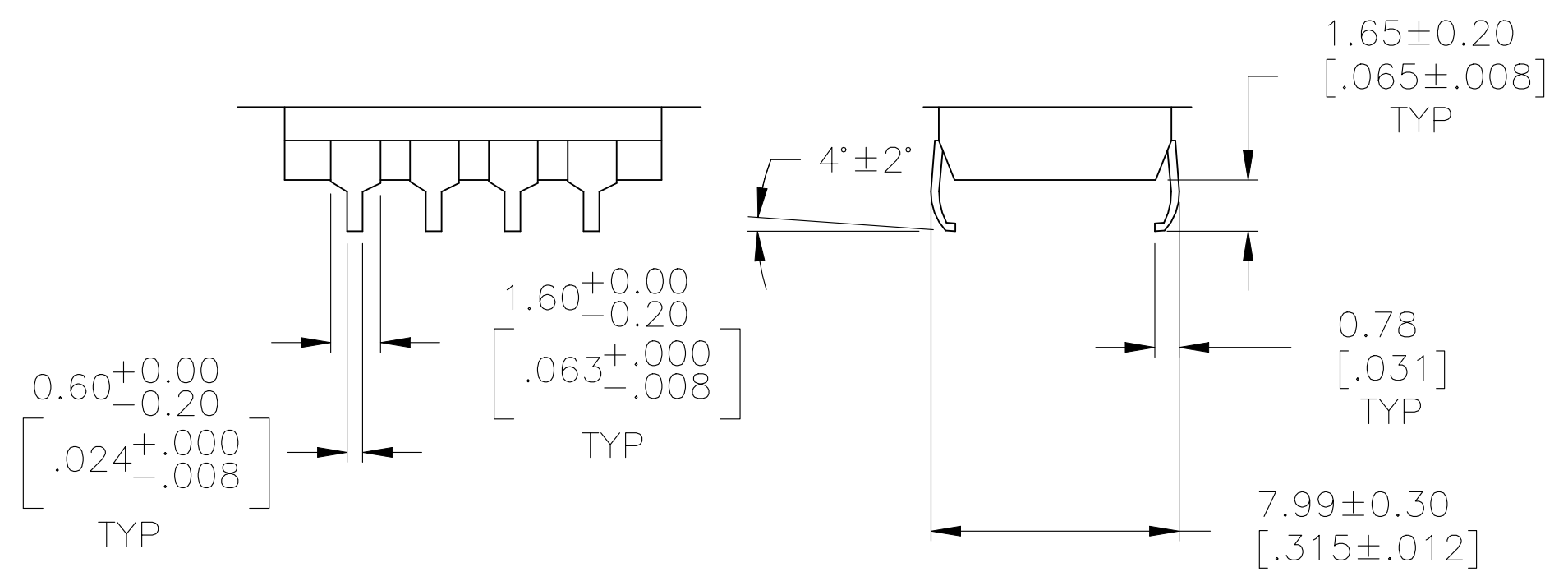
REVISIONS				
REV	DATE	DESCRIPTION	BY	APP'D
-	-	SEE SHEET 1	-	-



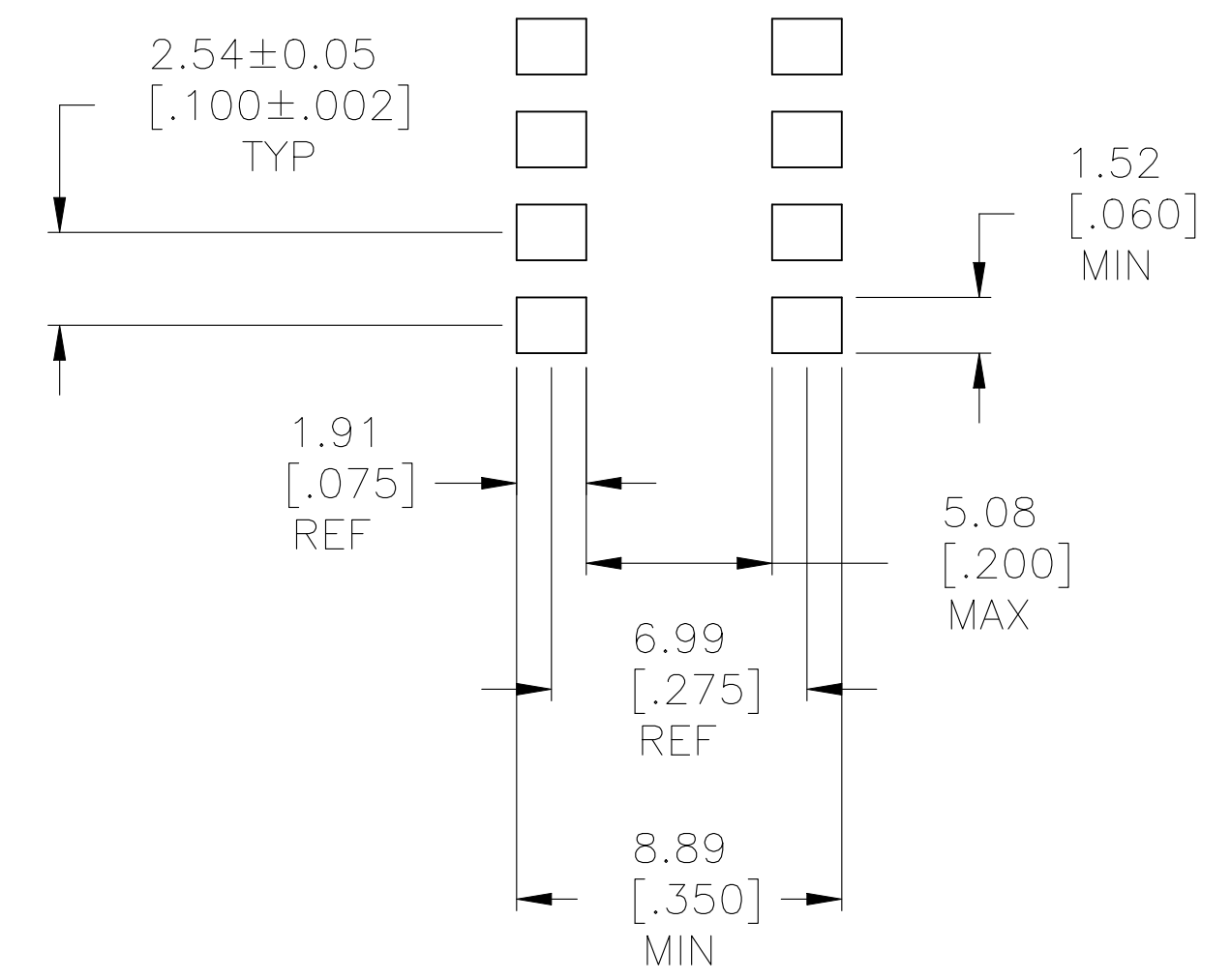
SURFACE MOUNT
"S" TERMINATION



RECOMMENDED PAD LAYOUT
SURFACE MOUNT
"S" TERMINATION



SURFACE MOUNT
"SA" TERMINATION



RECOMMENDED PAD LAYOUT
SURFACE MOUNT
"SA" TERMINATION

THIS DRAWING IS A CONTROLLED DOCUMENT.		DIN M. BINNER 14FEB05	 TE Connectivity
DIMENSIONS: mm [INCHES]		CHK M. SARVER 15FEB05	
TOLERANCES UNLESS OTHERWISE SPECIFIED:		NAME M. SARVER 15FEB05	DIP SWITCH ASSEMBLY ADP/PA SERIES
0. PLC ± - 1. PLC ± - 2. PLC ± - 3. PLC ± .012(0.31) 4. PLC ± - ± 1° ANGLES ± -		PRODUCT SPEC	
MATERIAL		APPLICATION SPEC	RESTRICTED TO
FINISH		WEIGHT	SIZE A1
CUSTOMER DRAWING		SCALE 1:1	SHEET 2 OF 2

X-ON Electronics

Largest Supplier of Electrical and Electronic Components

Click to view similar products for [DIP Switches/SIP Switches](#) category:

Click to view products by [TE Connectivity](#) manufacturer:

Other Similar products are found below :

[78M03S](#) [79B10T](#) [8136-475G4T](#) [G7G-1A2-CB-DC12](#) [H7CZL8AC100240](#) [A7SS-M](#) [A8CA-201](#) [DRR60016](#) [DRS4016](#) [1825008-1](#) [1825444-1](#) [25.350.0653.0](#) [SDA10H1BDA](#) [97R06ST](#) [A2C-2A5](#) [1825444-7](#) [ADE08SA04](#) [ADE12S04](#) [192960010](#) [2-1825058-8](#) [25.330.0653.1](#) [25.352.0353.0](#) [CXDRIVEV2X](#) [IKN0600000](#) [IKN0800000](#) [LA2-002-DC24](#) [DBS1003](#) [438872000](#) [DRD10CRAE04](#) [DSR02T](#) [DSS 208 N](#) [E2FMX2D1M1TGJ03M](#) [NDI10H](#) [219-9MSTP](#) [204-6ES](#) [EPM02FV](#) [701521596](#) [NDS08V](#) [76SB05](#) [79A10](#) [TD06H0SK1](#) [Z7.255.9027.0](#) [1-1825058-3](#) [1825428-4](#) [219-10LPSTF](#) [E3ZG6111D03M](#) [G4D212PUSTV2DC5](#) [195-7MSTN](#) [NDI05H](#) [EPG301BT06](#)