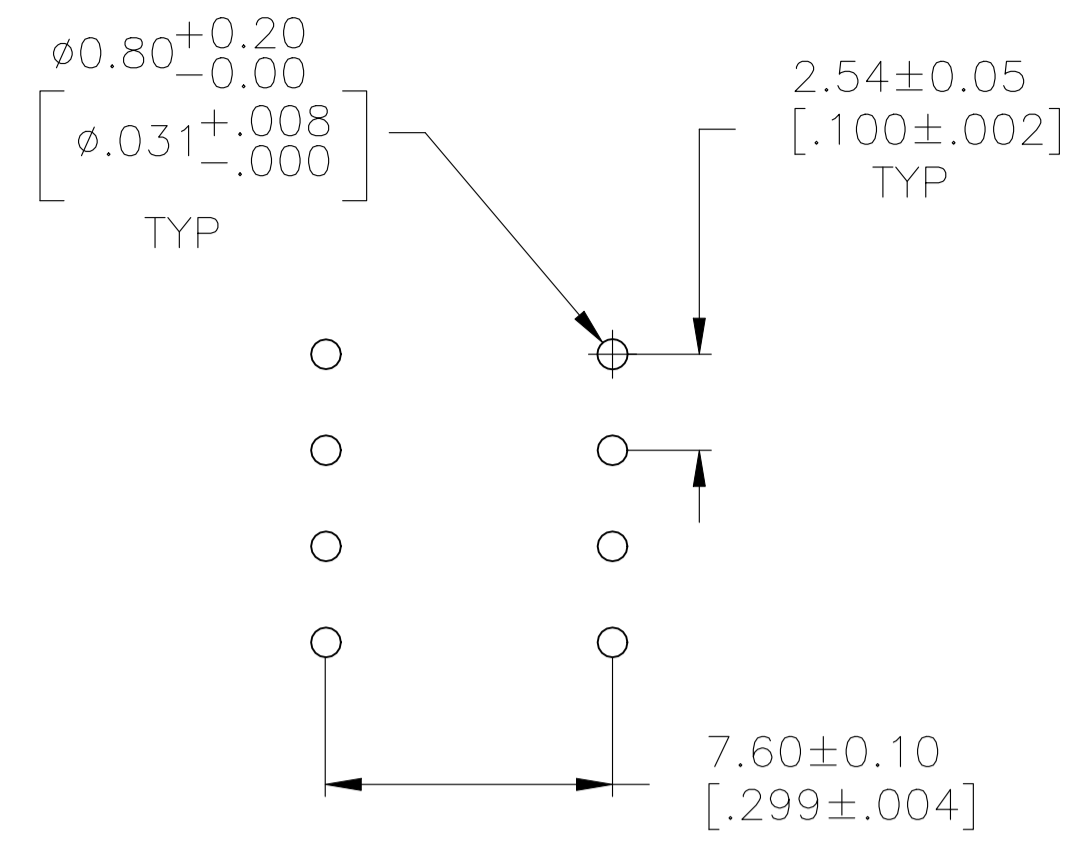
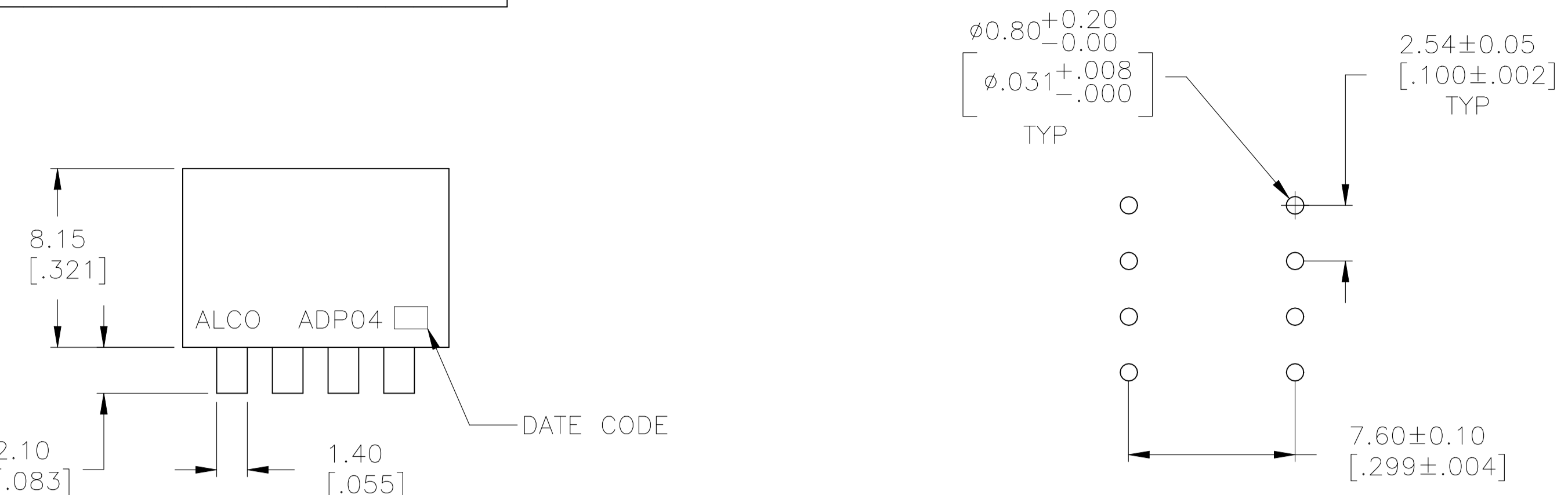
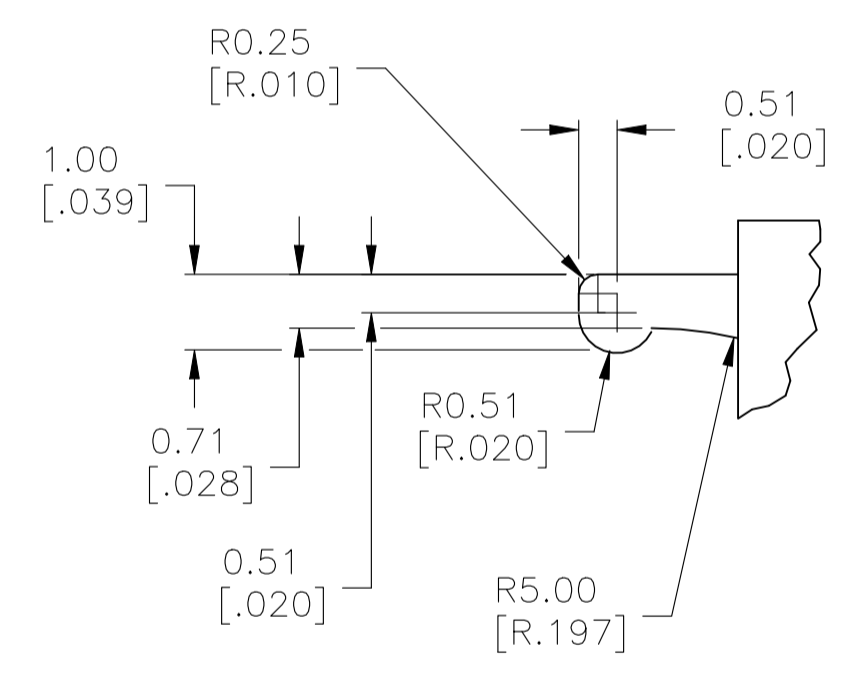
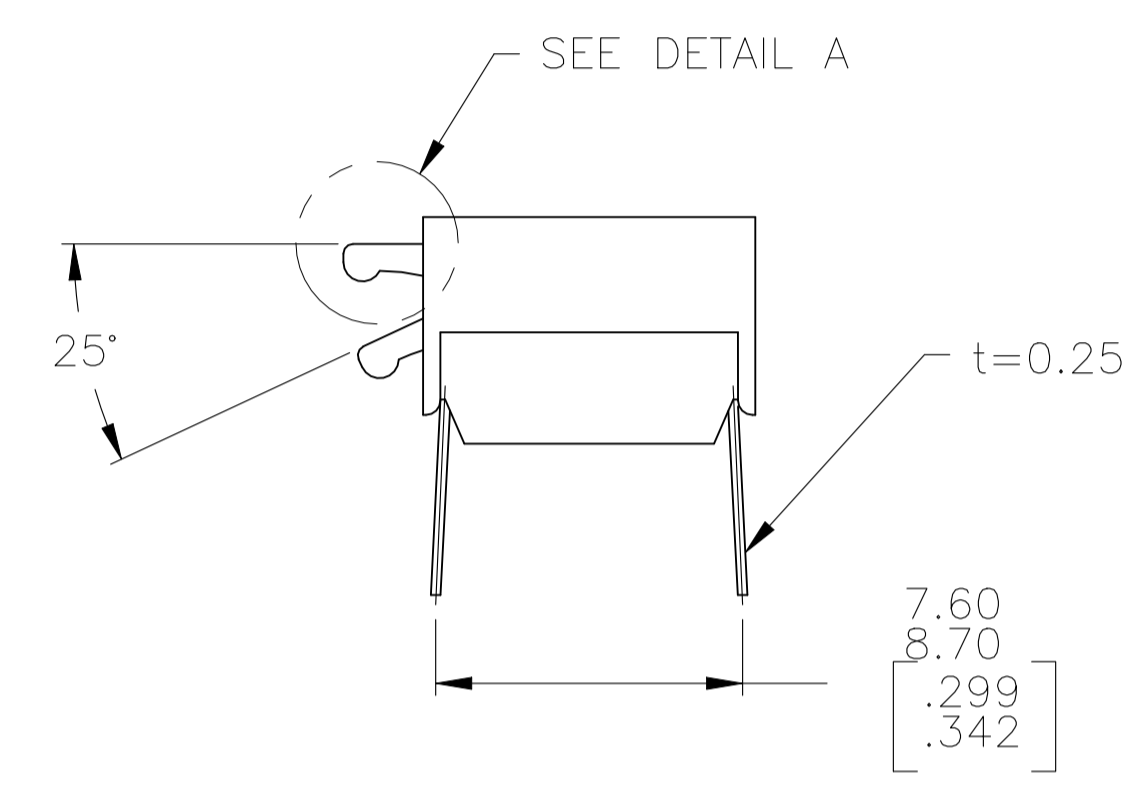
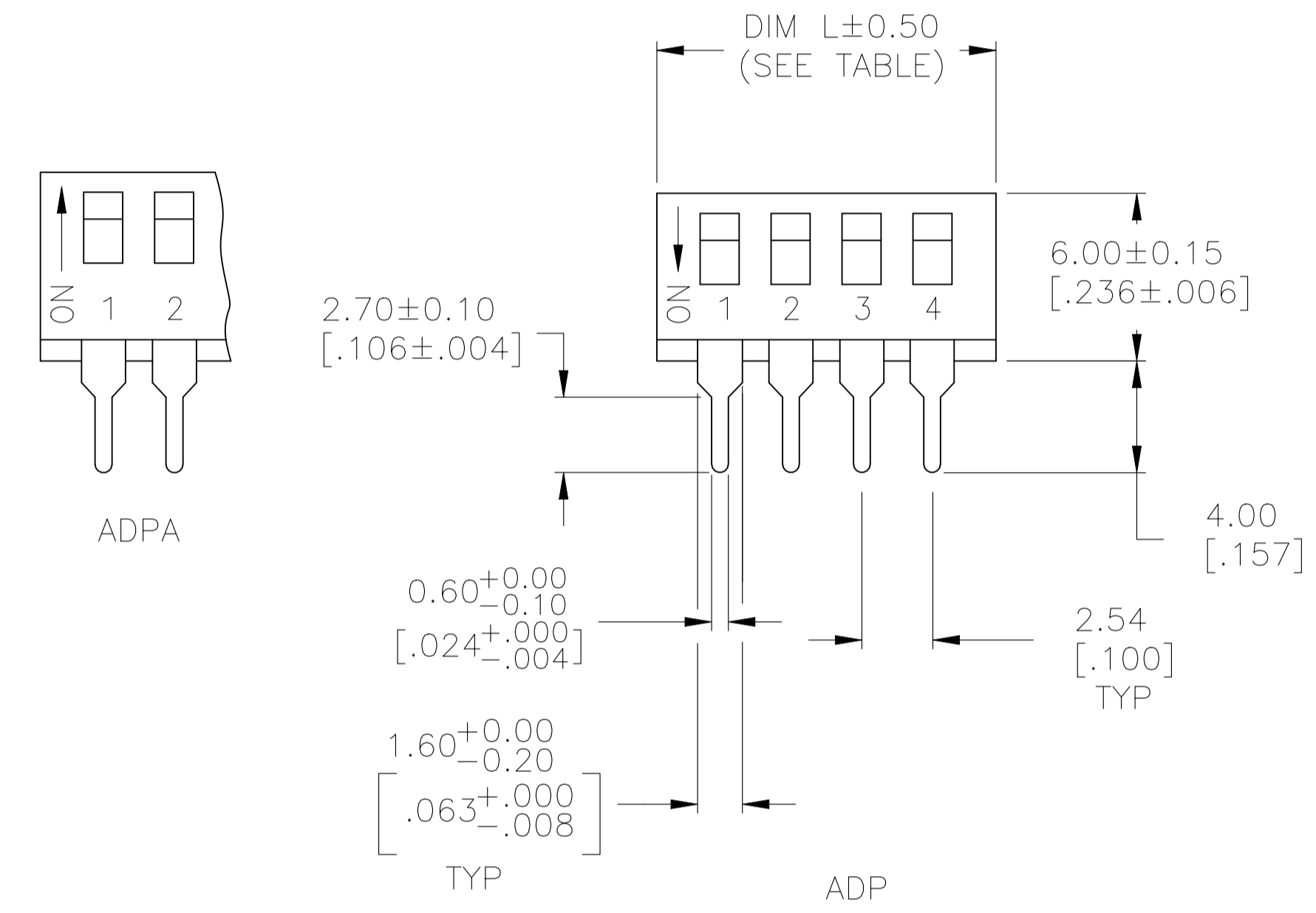


| REVISIONS | | | | |
|-----------|-----------|-----|------|---------------------------|
| REV | DATE | BY | APPV | DESCRIPTION |
| E | 17AUG2021 | GSK | JB | REVISED PER ECR-21-005929 |



RECOMMENDED HOLE LAYOUT



DETAIL A SCALE: 10:1

SPECIFICATIONS:

MATERIAL:
CASE: PPS 94V-0, BLACK
COVER: PPS 94V-0, BLACK
ACTUATOR: NYLON PA6T 94V-0, WHITE
MOVING CONTACT: COPPER ALLOY, GOLD OVER NICKEL PLATE.
FIXED CONTACT/TERMINAL: COPPER ALLOY, GOLD OVER NICKEL PLATE.

ELECTRICAL:
MAX RATING (SWITCHING) 100mA@5VDC (Ampere MAX.) 25mA@24VDC (Voltage MAX.)
MIN (SWITCHING) 0.10 MICROAMPS @1 MILLIVOLT,
MAX (NON-SWITCHING) 1 AMP @ 5V DC INITIAL
CONTACT RESISTANCE: 50 MILLIOHMS MAX.
INSULATION RESISTANCE: 100 MEGOHMS MIN. @ 100 VDC.
DIELECTRIC STRENGTH: 300V AC FOR 1 MINUTE.
ELECTRICAL LIFE, 1,000 CYCLES (10mA@5VDC)"
WITHSTAND VOLTAGE, 300VAC for 1 min BETWEEN THE SAME POLES".

MECHANICAL:
ACTUATION FORCE: 800g MAX.

ENVIRONMENTAL:
OPERATING TEMPERATURE: -22°F TO +185°F (-30°C TO +85°C).
STORAGE TEMPERATURE: -40°F TO +121°F (-40°C TO +85°C).
SOLDER HEAT RESISTANCE TO 265±3°C FOR 8±2 SECONDS.
SOLDERABILITY PER JIS C 0050 & JIS C 0053

- CONTACT PRESSURE: 2.9N min.
 - CLEANING: AQUEOUS SOLUTION OR SOLVENT.
 - PACKAGING OPTIONS- CLEAR TUBES OR TAPE AND REEL PER EIA-481 SWITCH SUPPLIED IN THE "OFF" POSITION UNLESS "ON" IS SPECIFIED IN THE ALCO PART NUMBER (SEE PART NUMBER TABLE FOR ALL OPTIONS)
 - TOP & FRONT SURFACES TO BE CLEARLY MARKED AS SHOWN.
 - SWITCHES TO BE BLACK WITH WHITE ACTUATORS AND MARKINGS.
 - ALL MATERIAL AND FINISHES SHALL COMPLY WITH EU DIRECTIVE 2002/95/EC OF 27JAN2003 (ROHS)
- ⚠️ OBSOLETE PARTS: OBSOLETE CIS STREAMLINING PER D.RENAUD/D.SINISI

SEE SHEET 2 FOR SURFACE MOUNT OPTIONS AND DIMENSIONS.

| REV | DESCRIPTION | QTY | LEAD | DATE | BY | APPV |
|----------|-----------------------|------|---------------------------|-------------|----|--------------|
| OBSOLETE | TAPE & REEL | 2 | 7.06 [.278] | | | ADPA02STR04 |
| OBSOLETE | TUBE | 10 | 27.38 [1.078] | | | ADPA10SA04 |
| OBSOLETE | TUBE | 10 | 27.38 [1.078] | | | ADPA10S04 |
| OBSOLETE | TUBE | 10 | 27.38 [1.078] | | | ADPA1004 |
| OBSOLETE | TUBE | 9 | 24.84 [.978] | | | ADPA09SA04 |
| OBSOLETE | TUBE | 9 | 24.84 [.978] | | | ADPA09S04 |
| OBSOLETE | TUBE | 9 | 24.84 [.978] | | | ADPA0904 |
| OBSOLETE | TUBE | 8 | 22.30 [.878] | | | ADPA08SA04 |
| OBSOLETE | TUBE | 8 | 22.30 [.878] | | | ADPA08S04 |
| OBSOLETE | TUBE | 8 | 22.30 [.878] | | | ADPA0804 |
| OBSOLETE | TUBE | 7 | 19.76 [.778] | | | ADPA07SA04 |
| OBSOLETE | TUBE | 7 | 19.76 [.778] | | | ADPA07S04 |
| OBSOLETE | TUBE | 7 | 19.76 [.778] | | | ADPA0704 |
| OBSOLETE | TUBE | 6 | 17.22 [.678] | | | ADPA06SA04 |
| OBSOLETE | TUBE | 6 | 17.22 [.678] | | | ADPA06S04 |
| OBSOLETE | TUBE | 6 | 17.22 [.678] | | | ADPA0604 |
| OBSOLETE | TUBE | 5 | 14.68 [.578] | | | ADPA05SA04 |
| OBSOLETE | TUBE | 5 | 14.68 [.578] | | | ADPA05S04 |
| OBSOLETE | TUBE | 5 | 14.68 [.578] | | | ADPA0504 |
| OBSOLETE | TUBE | 4 | 12.14 [.478] | | | ADPA04SA04 |
| OBSOLETE | TUBE | 4 | 12.14 [.478] | | | ADPA04S04 |
| OBSOLETE | TUBE | 4 | 12.14 [.478] | | | ADPA0404 |
| OBSOLETE | TUBE | 2 | 7.06 [.278] | | | ADPA02SA04 |
| OBSOLETE | TUBE | 2 | 7.06 [.278] | | | ADPA0204 |
| OBSOLETE | TAPE & REEL SWITCH ON | 10 | 27.38 [1.078] | | | ADP10STR0N04 |
| OBSOLETE | TAPE & REEL | 10 | 27.38 [1.078] | | | ADP10STR04 |
| OBSOLETE | TUBE | 10 | 27.38 [1.078] | | | ADP10SA04 |
| OBSOLETE | TUBE | 10 | 27.38 [1.078] | | | ADP10S04 |
| OBSOLETE | TUBE | 10 | 27.38 [1.078] | | | ADP1004 |
| OBSOLETE | TAPE & REEL SWITCH ON | 9 | 24.84 [.978] | | | ADP09STR0N04 |
| OBSOLETE | TAPE & REEL | 9 | 24.84 [.978] | | | ADP09STR04 |
| OBSOLETE | TUBE | 9 | 24.84 [.978] | | | ADP09SA04 |
| OBSOLETE | TUBE | 9 | 24.84 [.978] | | | ADP09S04 |
| OBSOLETE | TUBE | 9 | 24.84 [.978] | | | ADP0904 |
| OBSOLETE | TAPE & REEL SWITCH ON | 8 | 22.30 [.878] | | | ADP08STR0N04 |
| OBSOLETE | TAPE & REEL | 8 | 22.30 [.878] | | | ADP08STR04 |
| OBSOLETE | TUBE | 8 | 22.30 [.878] | | | ADP08SA04 |
| OBSOLETE | TUBE | 8 | 22.30 [.878] | | | ADP08S04 |
| OBSOLETE | TUBE | 8 | 22.30 [.878] | | | ADP0804 |
| OBSOLETE | TAPE & REEL SWITCH ON | 7 | 19.76 [.778] | | | ADP07STR0N04 |
| OBSOLETE | TAPE & REEL | 7 | 19.76 [.778] | | | ADP07STR04 |
| OBSOLETE | TUBE | 7 | 19.76 [.778] | | | ADP07SA04 |
| OBSOLETE | TUBE | 7 | 19.76 [.778] | | | ADP07S04 |
| OBSOLETE | TUBE | 7 | 19.76 [.778] | | | ADP0704 |
| OBSOLETE | TAPE & REEL SWITCH ON | 6 | 17.22 [.678] | | | ADP06STR0N04 |
| OBSOLETE | TAPE & REEL | 6 | 17.22 [.678] | | | ADP06STR04 |
| OBSOLETE | TUBE | 6 | 17.22 [.678] | | | ADP06SA04 |
| OBSOLETE | TUBE | 6 | 17.22 [.678] | | | ADP06S04 |
| OBSOLETE | TUBE | 6 | 17.22 [.678] | | | ADP0604 |
| OBSOLETE | TAPE & REEL SWITCH ON | 5 | 14.68 [.578] | | | ADP05STR0N04 |
| OBSOLETE | TAPE & REEL | 5 | 14.68 [.578] | | | ADP05STR04 |
| OBSOLETE | TUBE | 5 | 14.68 [.578] | | | ADP05SA04 |
| OBSOLETE | TUBE | 5 | 14.68 [.578] | | | ADP05S04 |
| OBSOLETE | TUBE | 5 | 14.68 [.578] | | | ADP0504 |
| OBSOLETE | TAPE & REEL SWITCH ON | 4 | 12.14 [.478] | | | ADP04STR0N04 |
| OBSOLETE | TAPE & REEL | 4 | 12.14 [.478] | | | ADP04STR04 |
| OBSOLETE | TUBE | 4 | 12.14 [.478] | | | ADP04SA04 |
| OBSOLETE | TUBE | 4 | 12.14 [.478] | | | ADP04S04 |
| OBSOLETE | TUBE | 4 | 12.14 [.478] | | | ADP0404 |
| OBSOLETE | TAPE & REEL SWITCH ON | 2 | 7.00 ± 0.50 [.276 ± .020] | | | ADP02STR0N04 |
| OBSOLETE | TAPE & REEL | 2 | 7.00 ± 0.50 [.276 ± .020] | | | ADP02STR04 |
| OBSOLETE | TUBE | 2 | 7.00 ± 0.50 [.276 ± .020] | | | ADP02SA04 |
| OBSOLETE | TUBE | 2 | 7.00 ± 0.50 [.276 ± .020] | | | ADP02S04 |
| OBSOLETE | TUBE | 2 | 7.00 ± 0.50 [.276 ± .020] | | | ADP0204 |
| | PACKAGING | Pole | Dim L | Old T&B P/N | | P/N |

THIS DRAWING IS A CONTROLLED DOCUMENT.

DIMENSIONS: mm [INCHES]

TOLERANCES UNLESS OTHERWISE SPECIFIED:

| | |
|--------|--------------|
| 0. PLC | ± .01 |
| 1. PLC | ± .01 |
| 2. PLC | ± .01 |
| 3. PLC | ± .012(0.31) |
| 4. PLC | ± .01 |
| ANGLES | ± 1° |

MATERIAL: - FINISH: -

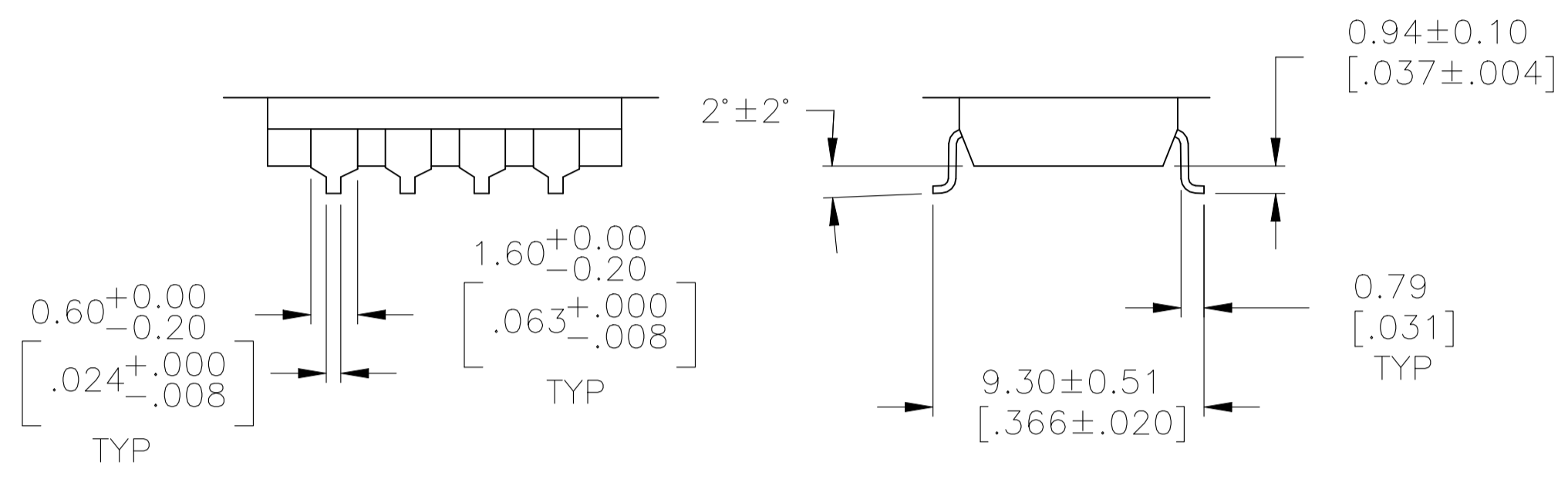
STE TE Connectivity

DIP SWITCH ASSEMBLY ADP/PA SERIES

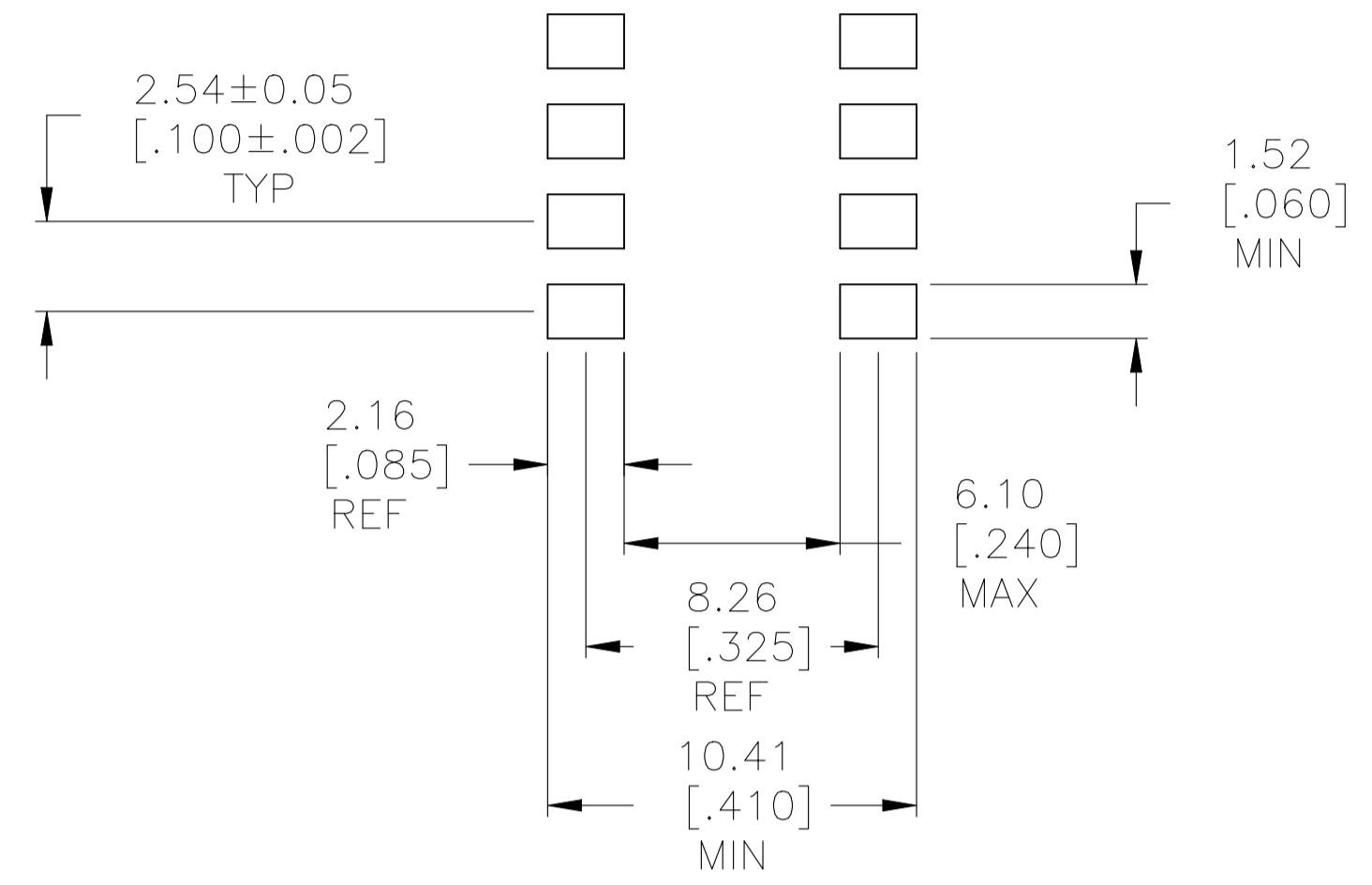
SIZE: A1 CAGE CODE: 00779 DRAWING NO: 1571999 RESTRICTED TO: -

CUSTOMER DRAWING SCALE: 1:1 SHEET 1 OF 2 REV: E

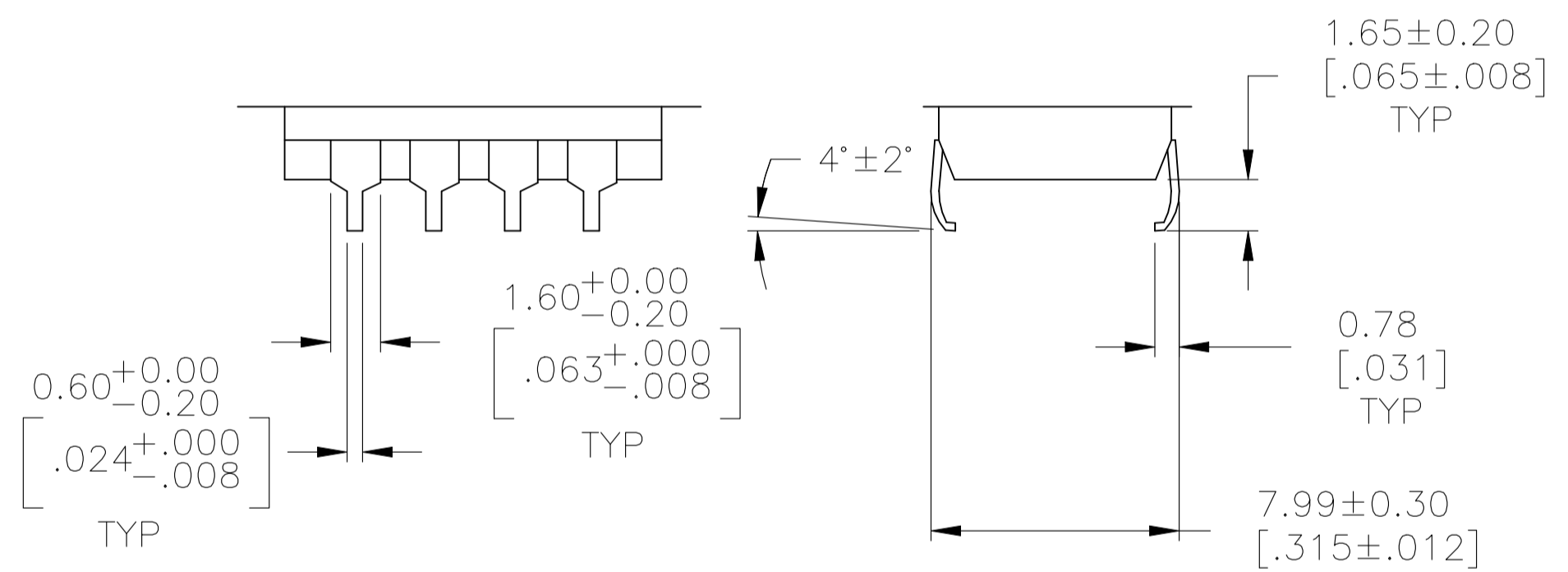
| REVISIONS | | | | |
|-----------|------|----|-------|-------------|
| REV | DATE | BY | APP'D | DESCRIPTION |
| - | - | - | - | SEE SHEET 1 |



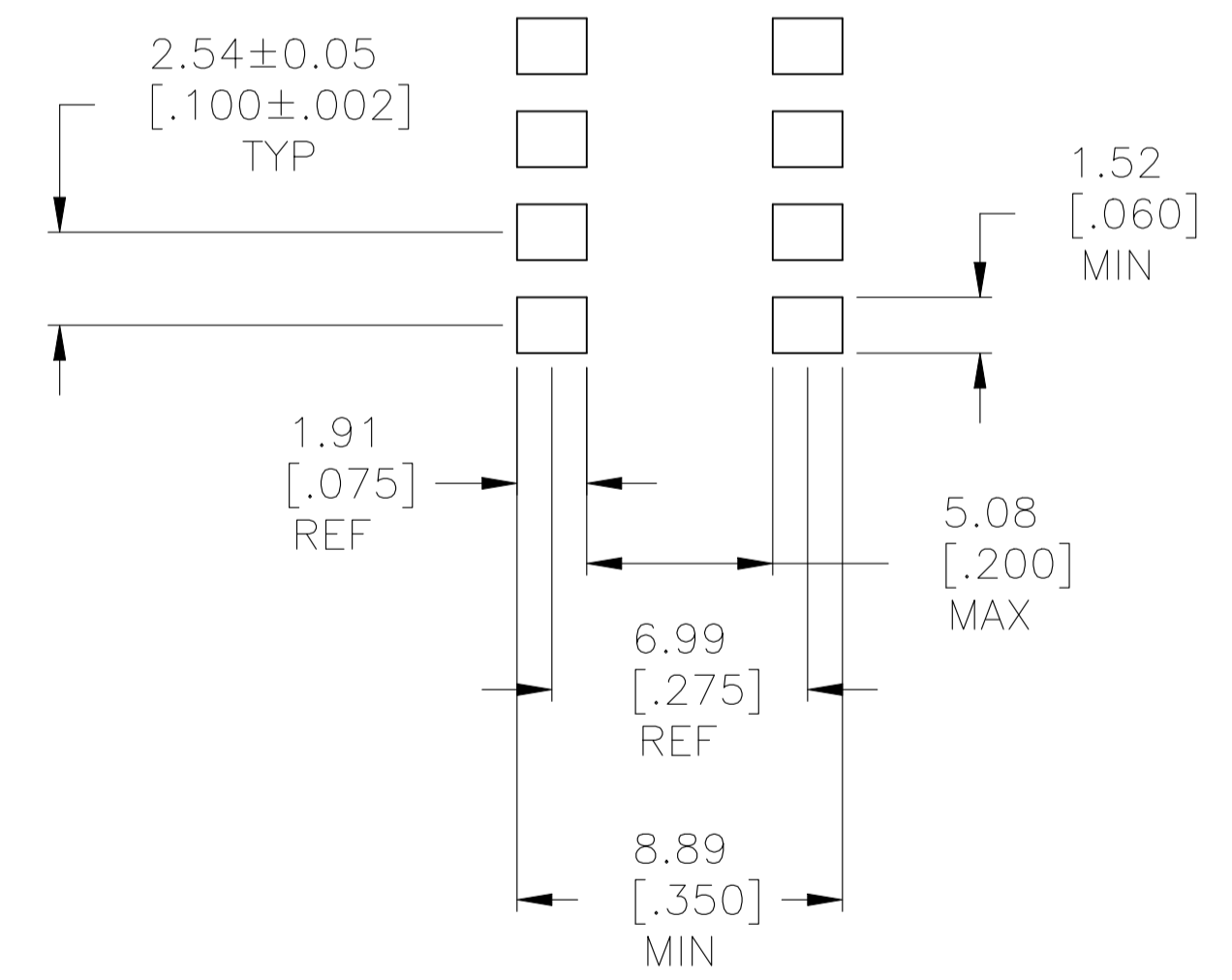
SURFACE MOUNT
"S" TERMINATION



RECOMMENDED PAD LAYOUT
SURFACE MOUNT
"S" TERMINATION



SURFACE MOUNT
"SA" TERMINATION



RECOMMENDED PAD LAYOUT
SURFACE MOUNT
"SA" TERMINATION

| | | | |
|--|--|----------------------|--|
| THIS DRAWING IS A CONTROLLED DOCUMENT. | | DIN M BINNER 14FEB05 | TE Connectivity |
| DIMENSIONS: mm [INCHES] | | CHK M SARVER 15FEB05 | |
| TOLERANCES UNLESS OTHERWISE SPECIFIED: | | NAME | DIP SWITCH ASSEMBLY ADP/PA SERIES |
| 0. PLC ± - | | PRODUCT SPEC | |
| 1. PLC ± - | | APPLICATION SPEC | SIZE CAGE CODE DRAWING NO. RESTRICTED TO |
| 2. PLC ± - | | WEIGHT | A1 00779 C=1571999 |
| 3. PLC ± .012(0.31) | | CUSTOMER DRAWING | SCALE 1:1 SHEET 2 OF 2 REV E |
| 4. PLC ANGLES ± 1° | | | |

X-ON Electronics

Largest Supplier of Electrical and Electronic Components

Click to view similar products for [DIP Switches/SIP Switches](#) category:

Click to view products by [TE Connectivity](#) manufacturer:

Other Similar products are found below :

[78M03S](#) [79B10T](#) [8136-475G4T](#) [G7G-1A2-CB-DC12](#) [H7CZL8AC100240](#) [A7SS-M](#) [A8CA-201](#) [DRR60016](#) [DRS4016](#) [1825008-1](#) [1825444-1](#) [25.350.0653.0](#) [SBS 5004 TG](#) [SDA10H1BDA](#) [97R06ST](#) [A2C-2A5](#) [1825444-7](#) [ADE08SA04](#) [ADE12S04](#) [192960010](#) [2-1825058-8](#) [25.330.0653.1](#) [25.352.0353.0](#) [CXDRIVEV2X](#) [IKN0600000](#) [IKN0800000](#) [LA2-002-DC24](#) [DBS1003](#) [438872000](#) [DRD10CRAE04](#) [DSR02T](#) [DSS 208 N](#) [E2FMX2D1M1TGJ03M](#) [NDI10H](#) [219-9MSTP](#) [204-6ES](#) [EPM02FV](#) [701521596](#) [NDS08V](#) [76SB05](#) [79A10](#) [TD06H0SK1](#) [Z7.255.9027.0](#) [1-1825058-3](#) [1825428-4](#) [219-10LPSTF](#) [E3ZG6111D03M](#) [G4D212PUSTV2DC5](#) [195-7MSTN](#) [NDI05H](#)