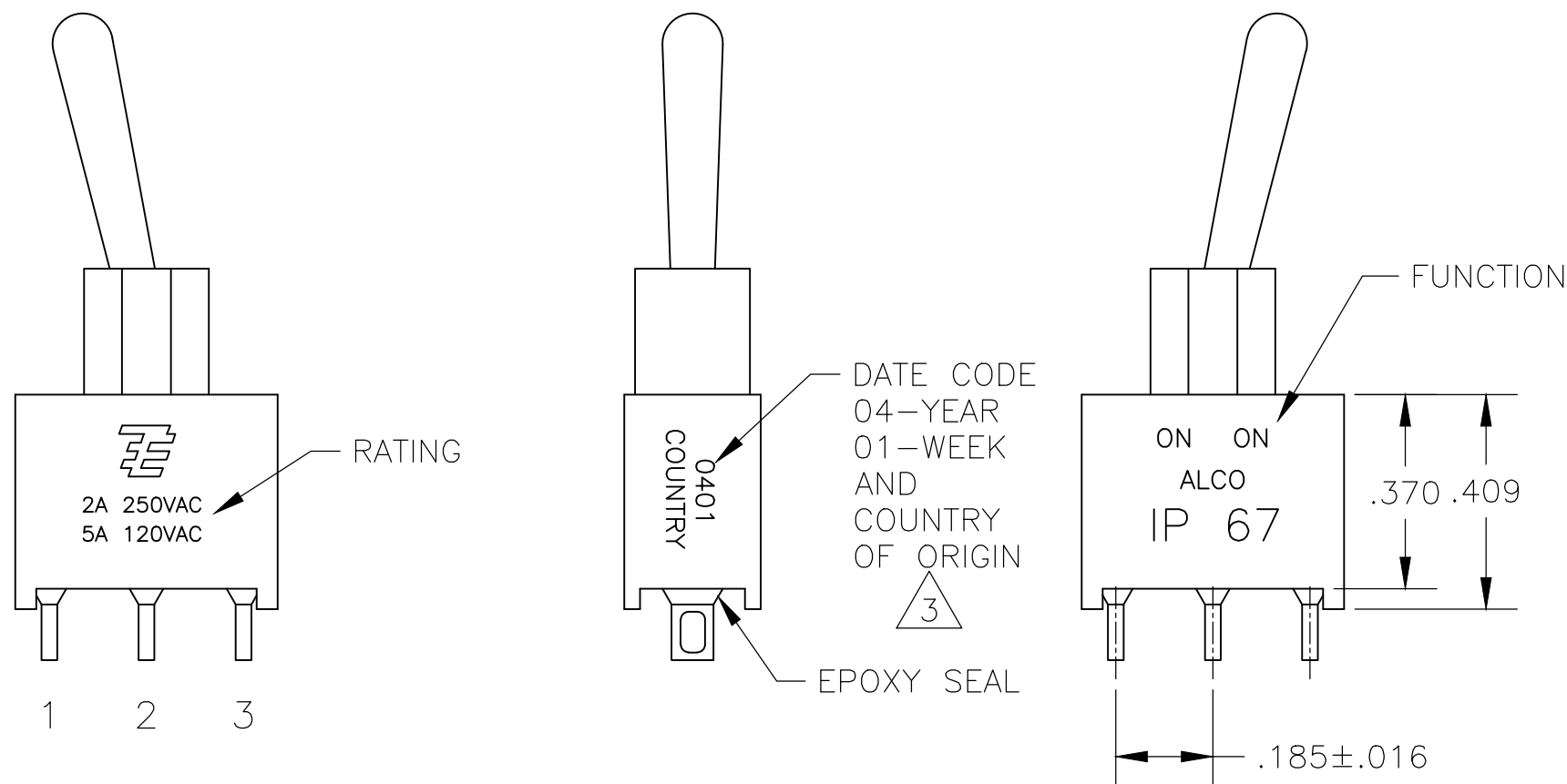
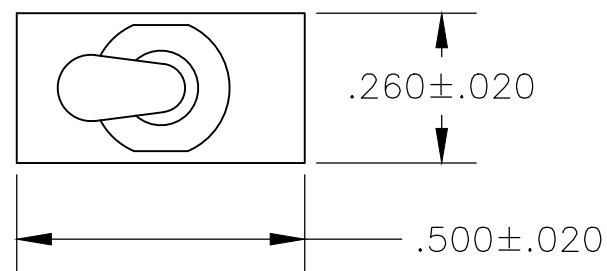


THIS DRAWING IS UNPUBLISHED. RELEASED FOR PUBLICATION  
 © COPYRIGHT - By - ALL RIGHTS RESERVED.

REVISIONS					
P	LTR	DESCRIPTION	DATE	DWN	APVD
A5		ECR-16-017266	01JUN2018	SR	PO



- ALL MATERIALS AND FINISHES SHALL COMPLY WITH EU DIRECTIVE 2002/95/EC OF 27JAN2003 (ROHS).
- G CONTACT OPTION CAN BE USED FOR SIGNAL OR POWER LEVEL SWITCHING. IF SWITCH IS USED AT LEVELS EXCEEDING .4VA @ 20V AC/DC, SWITCH IS RENDERED FOR POWER SWITCHING ONLY DUE TO ARC REMOVAL OF GOLD PLATING. RATING MARKED ON SWITCH IS 2A 250VAC, 5A 120VAC.
- SWITCHES MEETS REQUIREMENTS OF IP67.
- DATE CODE AND COUNTRY OF ORIGIN MAY APPEAR ON EITHER SIDE OF SWITCH.
- ALL LOGO, RATING, DATE CODE, AND FUNCTION MARKINGS TO BE LASER MARKED.

FUNCTION	1 2 3	1 2 3	1 2 3
01	ON	NONE	ON
03	ON	OFF	ON
05	(ON)	OFF	(ON)
07	ON	OFF	(ON)
08	ON	NONE	(ON)
TERMINALS CONNECTED	2-3	---	1-2

NONE: NO MECHANICAL POSITION  
 OFF: MECHANICAL POSITION WITH NO MECHANICAL CONNECTION  
 (ON): MOMENTARY ACTION

RATING, B CONTACTS	.4VA MAX @20V MAX. AC OR DC
RATING, G CONTACTS-SEE NOTE 2	.4VA MAX @20V MAX. AC OR DC OR
	5A @120 VAC OR 28 VDC (RESISTIVE)
RATING, Q CONTACTS	2A @250 VAC (RESISTIVE)
	5A @120 VAC OR 28 VDC (RESISTIVE)
ELECTRICAL LIFE	6,000 CYCLES AT RATED LOAD
CONTACT RESISTANCE	10 MILLIOHMS MAX INITIAL @ 2-4VDC, 100ma
INSULATION RESISTANCE	1,000 MEGOHMS MIN
DIELECTRIC WITHSTANDING VOLTAGE	1,000 V RMS AT SEA LEVEL
OPERATING TEMPRATURE	-30C TO 85C

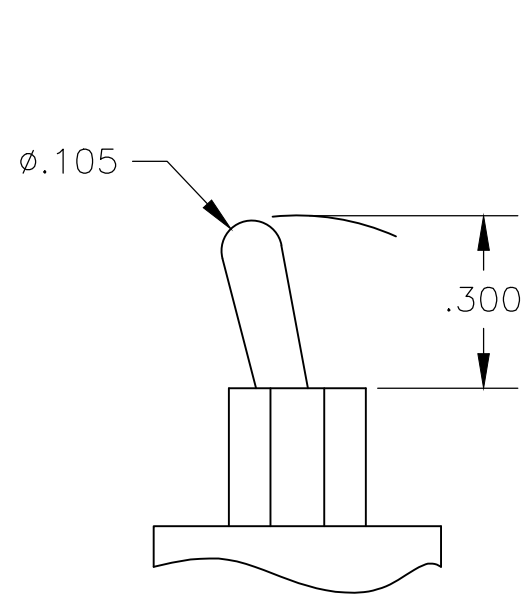
MODEL	FUNCTION	TOGGLE	BUSHING	TERMINAL	CONTACT	RoHS
AE1	01	M	D1	A	B	04
	03	S		AV2	G	
	05			C	Q	
	07			V30		
	08			V40		
				W		
				W4		
				Z		
		Z3				

EXAMPLE: AE101SD1CQ04

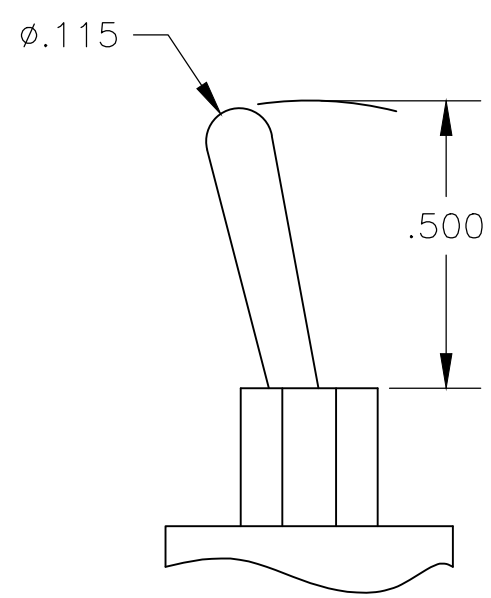
THIS DRAWING IS A CONTROLLED DOCUMENT.		DWN	M. ZITTO	18MAY05		
DIMENSIONS: INCHES		CHK	M. ZITTO	-		
TOLERANCES UNLESS OTHERWISE SPECIFIED:		APVD	M. ZITTO	-	GEMINI AE SERIES TOGGLE SWITCH, SINGLE POLE	
0 PLC ± -		PRODUCT SPEC	-	-		
1 PLC ± -		APPLICATION SPEC	-	-	SIZE	A2
2 PLC ± -		WEIGHT	-	-	CAGE CODE	00779
3 PLC ± .010		FINISH	-	-	DRAWING NO	C=1825142
4 PLC ± -					RESTRICTED TO	-
ANGLES ± 2°					SCALE	3:1
MATERIAL					SHEET	1 OF 4
					REV	A5
					CUSTOMER DRAWING	

THIS DRAWING IS UNPUBLISHED. RELEASED FOR PUBLICATION  
 © COPYRIGHT - By - ALL RIGHTS RESERVED.

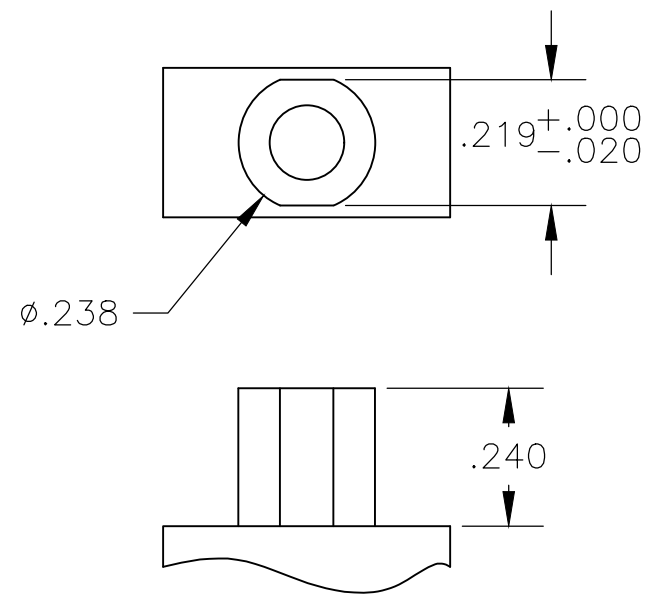
REVISIONS				
P	LTR	DESCRIPTION	DATE	APVD
-	-	SEE SHEET 1	-	-



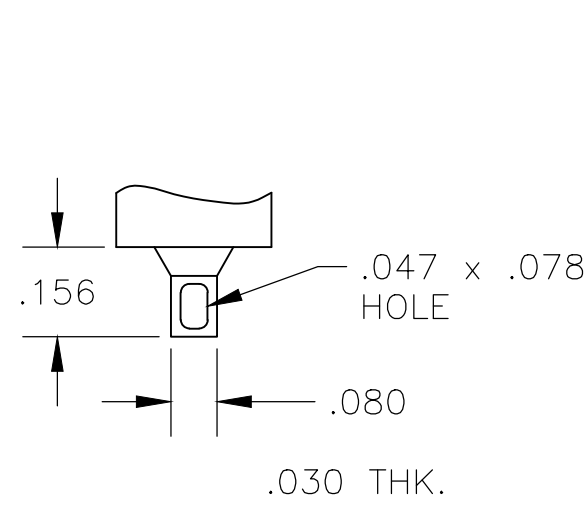
**M** SHORT



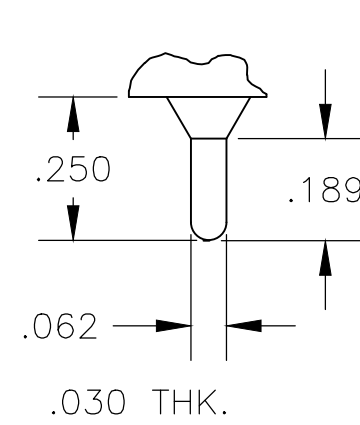
**S** STANDARD



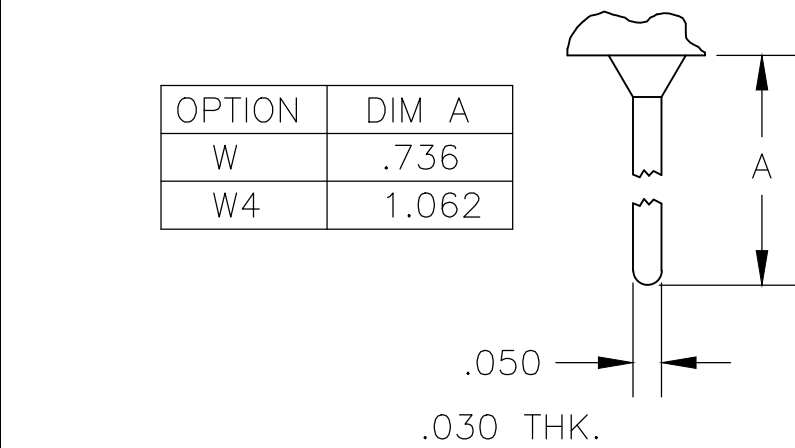
**D1** BUSHING



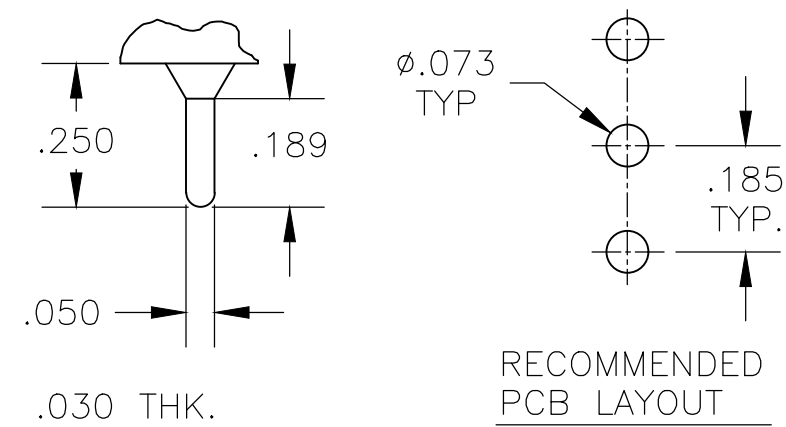
**Z** WIRE LUG



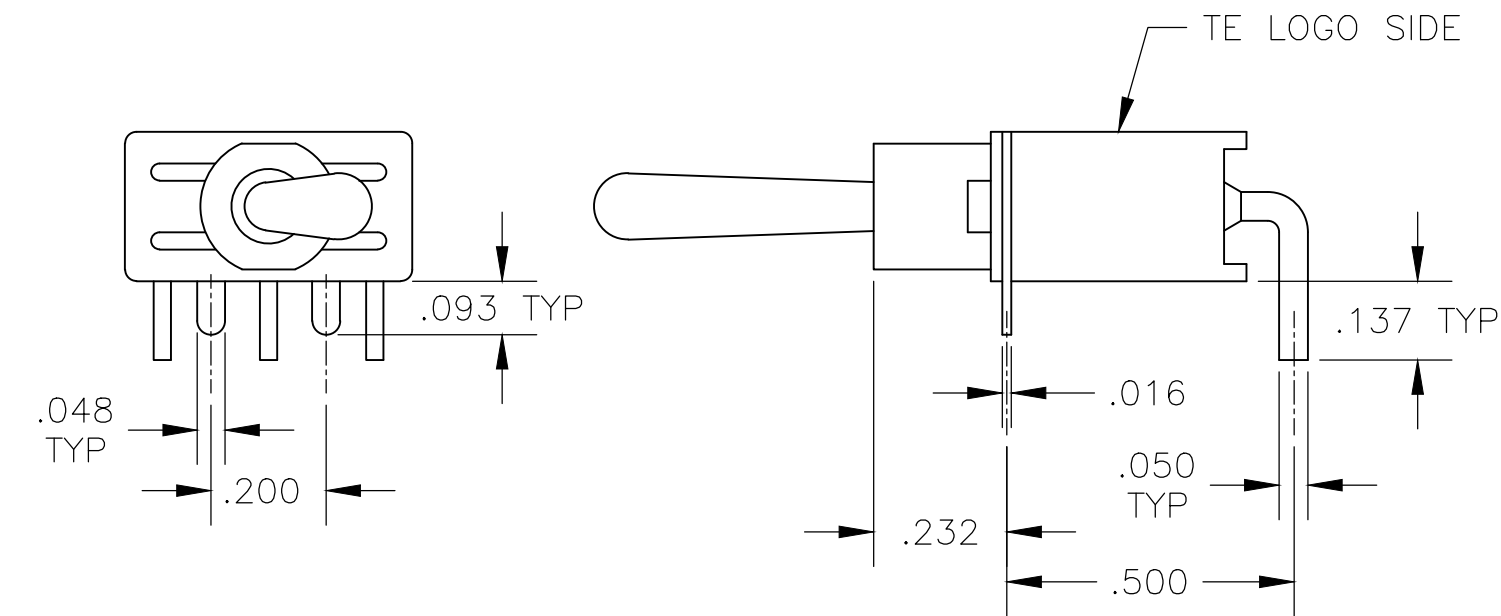
**Z3** QUICK CONNECT



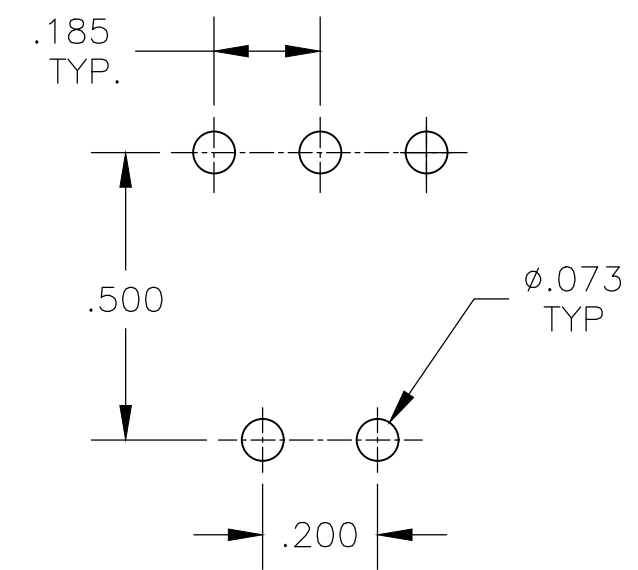
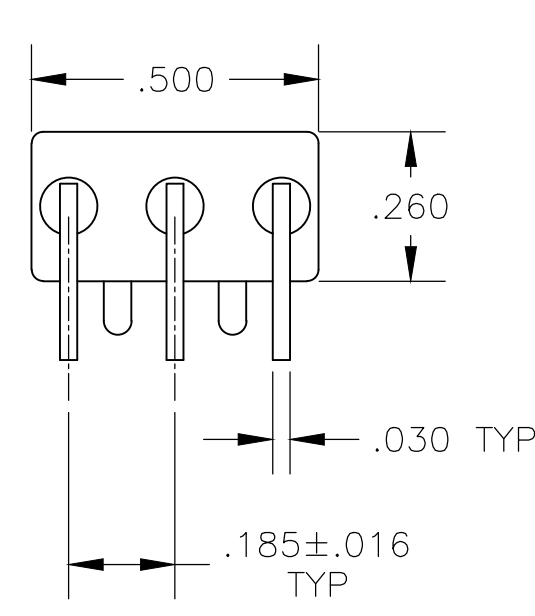
**W** **W4** WIRE WRAP



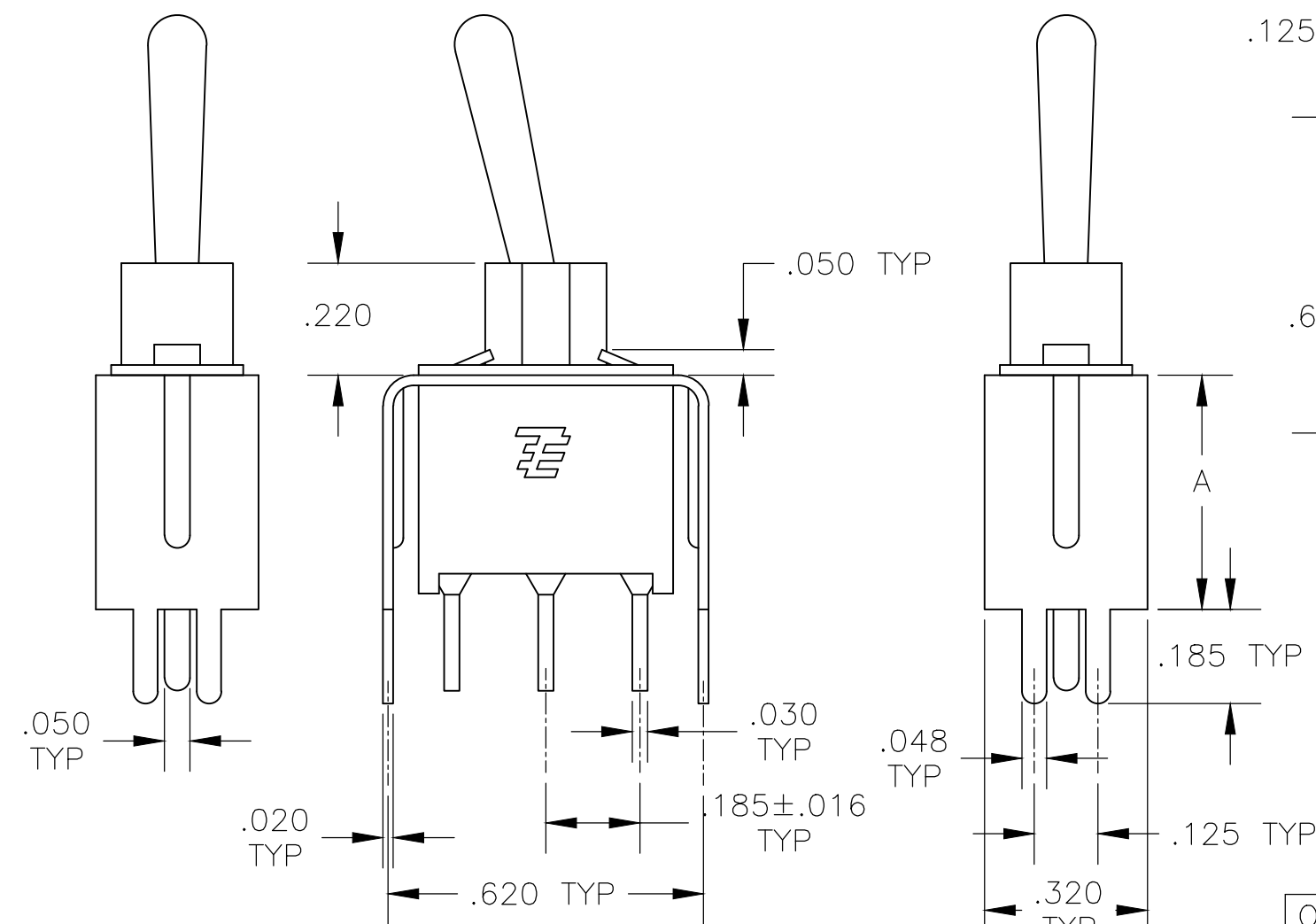
**C** PRINTED CIRCUIT



**A** RIGHT ANGLE

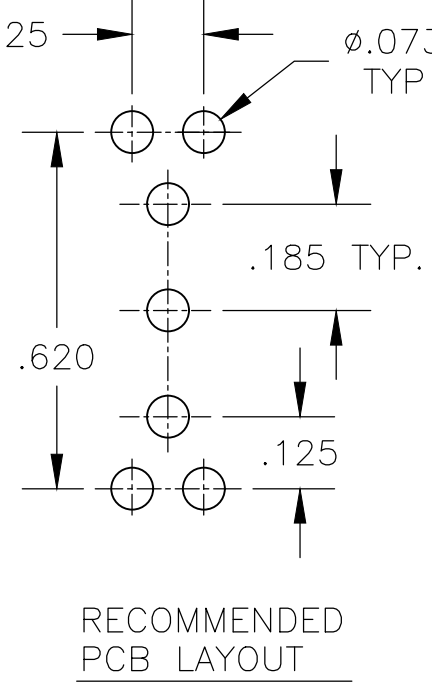


RECOMMENDED PCB LAYOUT

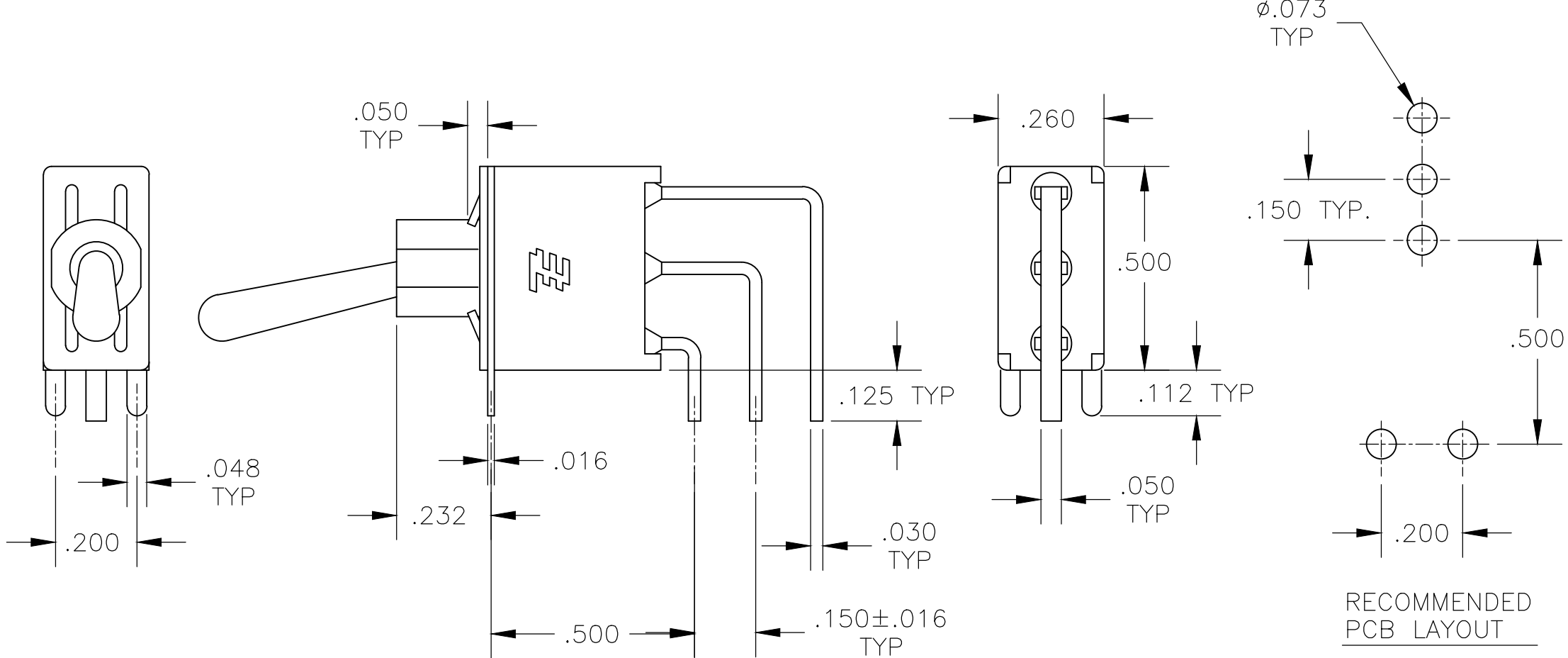


**V30** **V40** VERTICAL SUPPORT BRACKET

OPTION	DIM A
V30	.460
V40	.630



RECOMMENDED PCB LAYOUT



**AV2** VERTICAL RIGHT ANGLE

RECOMMENDED PCB LAYOUT

THIS DRAWING IS A CONTROLLED DOCUMENT.

DIMENSIONS: INCHES	TOLERANCES UNLESS OTHERWISE SPECIFIED:	DWN: M. ZITTO	18MAY05	 TE Connectivity
	0 PLC ± -	CHK: M. ZITTO	-	
	1 PLC ± -	APVD: M. ZITTO	-	
	2 PLC ± -	PRODUCT SPEC	-	
MATERIAL	FINISH	APPLICATION SPEC	-	NAME: GEMINI AE SERIES TOGGLE SWITCH, SINGLE POLE SIZE: A2 CAGE CODE: 00779 DRAWING NO: 1825142 WEIGHT: - RESTRICTED TO: - CUSTOMER DRAWING SCALE: 3:1 SHEET: 2 of 4 REV: A5


THIS DRAWING IS UNPUBLISHED. RELEASED FOR PUBLICATION  
 © COPYRIGHT - By - ALL RIGHTS RESERVED.

REVISIONS				
P	LTR	DESCRIPTION	DATE	APVD
-	-	SEE SHEET 1	-	-

Alco P/N	TE P/N	
AE101MD1AB04	1825142-1	
AE101MD1AG04	1825142-2	
not assigned	1825142-3	OBSOLETE
AE101MD1AQ04	1825142-4	
AE101MD1AV2B04	1825142-5	
AE101MD1AV2Q04	1825142-6	
not assigned	1825142-7	OBSOLETE
AE101MD1CB04	1825142-8	
AE101MD1CG04	1825142-9	
AE101MD1CQ04	1-1825142-0	OBSOLETE
AE101MD1V30B04	1-1825142-1	
AE101MD1V30Q04	1-1825142-2	
AE101MD1W4B04	1-1825142-3	
AE101MD1W4Q04	1-1825142-4	OBSOLETE
AE101SD1AB04	1-1825142-5	
AE101SD1AQ04	1-1825142-6	
not assigned	1-1825142-7	OBSOLETE
AE101SD1AV2B04	1-1825142-8	
AE101SD1AV2Q04	1-1825142-9	OBSOLETE
AE101SD1CB04	2-1825142-0	
AE101SD1CQ04	2-1825142-1	
AE101SD1V30B04	2-1825142-2	
AE101SD1V30Q04	2-1825142-3	OBSOLETE
AE103MD1AB04	2-1825142-4	
AE103MD1AV2B04	2-1825142-5	
AE103MD1CB04	2-1825142-6	
NOT ASSIGNED	2-1825142-7	
AE103MD1W4B04	2-1825142-8	OBSOLETE
AE103SD1AV2B04	2-1825142-9	
AE103SD1CB04	3-1825142-0	
AE103SD1CQ04	3-1825142-1	
not assigned	3-1825142-2	
AE103SD1V30B04	3-1825142-3	
AE103SD1W4B04	3-1825142-4	OBSOLETE
AE105MD1AB04	3-1825142-5	
AE105MD1AG04	3-1825142-6	
AE105MD1AV2B04	3-1825142-7	
AE105MD1W4B04	3-1825142-8	OBSOLETE
AE105SD1CB04	3-1825142-9	
AE105SD1V30B04	4-1825142-0	OBSOLETE

Alco P/N	TE P/N	
AE105SD1W4B04	4-1825142-1	OBSOLETE
AE107MD1AV2B04	4-1825142-2	
AE107SD1AB04	4-1825142-3	
AE107SD1AG04	4-1825142-4	OBSOLETE
AE107SD1CB04	4-1825142-5	
AE107SD1V30B04	4-1825142-6	
AE108MD1AQ04	4-1825142-7	
AE108MD1AV2B04	4-1825142-8	
AE108MD1AV2Q04	4-1825142-9	OBSOLETE
AE108SD1AB04	5-1825142-0	
AE108SD1AQ04	5-1825142-1	
AE108SD1CQ04	5-1825142-2	
not assigned	5-1825142-3	OBSOLETE
AE108SD1V30B04	5-1825142-4	
AE108SD1W4B04	5-1825142-5	OBSOLETE

MATERIALS CHART		
COMPONENT NAME	BASE MATERIAL	FINISH
CASE & BUSHING	NYLON, RED, UL94 V-0	
O-RING	PVC, BLACK	
B TERMINALS & CONTACTS	COPPER	GOLD OVER NICKEL
G TERMINALS & CONTACTS	COPPER	GOLD OVER SILVER
Q TERMINALS & CONTACTS	COPPER	GOLD FLASH OVER SILVER
ACTUATOR	PHENOLIC, BLACK, UL94 V-1	
LEVER	BRASS	CHROME
SPRING	MUSIC WIRE	
PIVOT PIN	STEEL	NICKEL
LOCK WASHER	STAINLESS STEEL	
LOCKING RING	STAINLESS STEEL	
NUTS	BRASS	NICKEL
TERMINAL SEAL	EPOXY, UL94V-0	
MARKING	INK, BLACK	
SUPPORT BRACKET	BRASS OR STEEL	TIN
SUPPORT BRACKET RETAINER	STAINLESS STEEL	

THIS DRAWING IS A CONTROLLED DOCUMENT.		DWN M. ZITTO	18MAY05	 TE Connectivity	
DIMENSIONS: INCHES		CHK M. ZITTO	-		
TOLERANCES UNLESS OTHERWISE SPECIFIED:		APVD M. ZITTO	-	NAME GEMINI AE SERIES TOGGLE SWITCH, SINGLE POLE	
0 PLC ± - 1 PLC ± - 2 PLC ± - 3 PLC ± .010 4 PLC ± - ANGLES ± 2'		PRODUCT SPEC	-	SIZE A2	
MATERIAL		APPLICATION SPEC	-	CAGE CODE 00779	DRAWING NO 1825142
FINISH		WEIGHT	-	RESTRICTED TO	-
CUSTOMER DRAWING			SCALE 3:1	SHEET 3 of 4	REV A5

1825142

## X-ON Electronics

Largest Supplier of Electrical and Electronic Components

*Click to view similar products for [Toggle Switches](#) category:*

*Click to view products by [TE Connectivity](#) manufacturer:*

Other Similar products are found below :

[8928K478](#) [8A1-C-222](#) [020017-13](#) [60012L](#) [6006L](#) [CS115W](#) [CS120W](#) [6663](#) [7101SPDV30BE](#) [7103SDV30BE](#) [7105D](#) [7108P3YAV2BE](#)  
[71YY50282](#) [7300K36](#) [7301K38](#) [7306K36](#) [7310K36](#) [7506K4](#) [7592K6](#) [7660K12](#) [7691K14](#) [8391K108](#) [8396K108](#) [8812K14](#) [8824K14](#)  
[8828K13](#) [8835K3](#) [8858K44](#) [PS83-121G](#) [1-1825192-0](#) [A201SCWZB04](#) [A207SYCB04](#) [A208J61ZQ0004](#) [A221T1TCQ](#) [A323S1CWZQ](#)  
[A423S1CWZG-M8](#) [1201W](#) [12156AX408](#) [12147AGKX679](#) [12246X778](#) [12TW49-3D](#) [130312](#) [13037L](#) [13001X](#) [AE101MD1W4B04](#)  
[AE208SD1W4B04](#) [MS24659-22D](#) [MS27407-5](#) [1520230-9](#) [1520231-1](#)