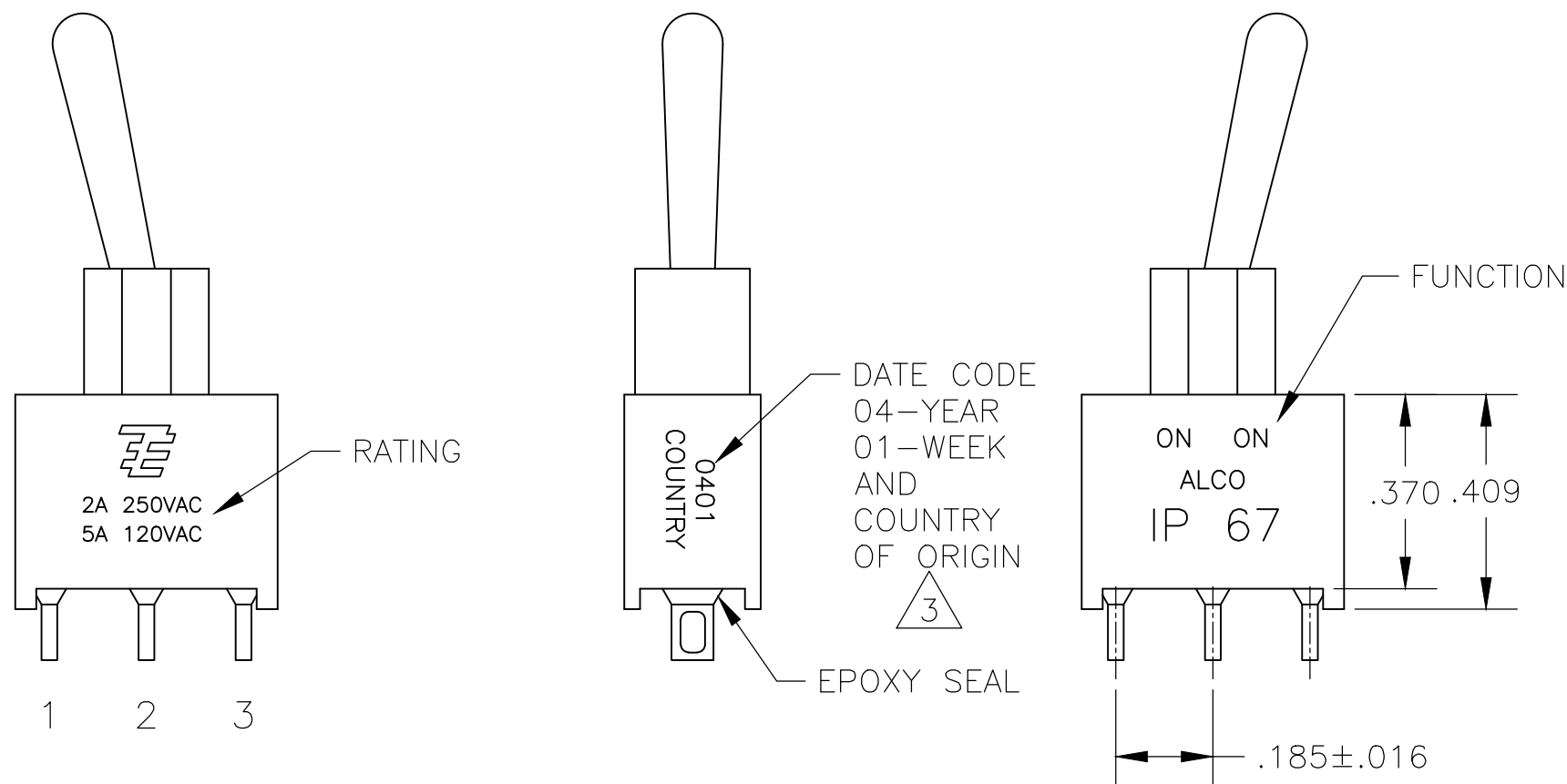
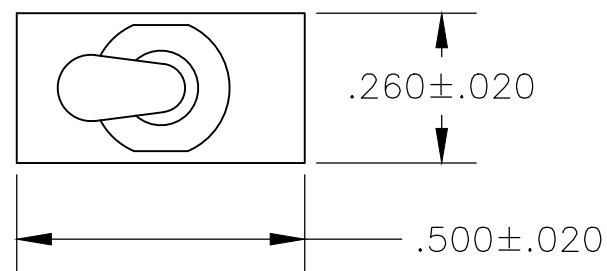


THIS DRAWING IS UNPUBLISHED. RELEASED FOR PUBLICATION
 © COPYRIGHT - By - ALL RIGHTS RESERVED.

| REVISIONS | | | | | |
|-----------|-----|---------------|-----------|-----|------|
| P | LTR | DESCRIPTION | DATE | DWN | APVD |
| A5 | | ECR-16-017266 | 01JUN2018 | SR | PO |



- 1 ALL MATERIALS AND FINISHES SHALL COMPLY WITH EU DIRECTIVE 2002/95/EC OF 27JAN2003 (ROHS).
- 2 G CONTACT OPTION CAN BE USED FOR SIGNAL OR POWER LEVEL SWITCHING. IF SWITCH IS USED AT LEVELS EXCEEDING .4VA @ 20V AC/DC, SWITCH IS RENDERED FOR POWER SWITCHING ONLY DUE TO ARC REMOVAL OF GOLD PLATING. RATING MARKED ON SWITCH IS 2A 250VAC, 5A 120VAC.
- 3 SWITCHES MEETS REQUIREMENTS OF IP67.
- 4 DATE CODE AND COUNTRY OF ORIGIN MAY APPEAR ON EITHER SIDE OF SWITCH.
- 5 ALL LOGO, RATING, DATE CODE, AND FUNCTION MARKINGS TO BE LASER MARKED.

| FUNCTION CHART | | | |
|---------------------|-------|-------|-------|
| FUNCTION | 1 2 3 | 1 2 3 | 1 2 3 |
| 01 | ON | NONE | ON |
| 03 | ON | OFF | ON |
| 05 | (ON) | OFF | (ON) |
| 07 | ON | OFF | (ON) |
| 08 | ON | NONE | (ON) |
| TERMINALS CONNECTED | 2-3 | --- | 1-2 |

NONE: NO MECHANICAL POSITION
 OFF: MECHANICAL POSITION WITH NO MECHANICAL CONNECTION
 (ON): MOMENTARY ACTION

| SPECIFICATIONS CHART | |
|---------------------------------|--|
| RATING, B CONTACTS | .4VA MAX @20V MAX. AC OR DC |
| RATING, G CONTACTS—SEE NOTE 2 | .4VA MAX @20V MAX. AC OR DC OR |
| | 5A @120 VAC OR 28 VDC (RESISTIVE) |
| RATING, Q CONTACTS | 2A @250 VAC (RESISTIVE) |
| | 5A @120 VAC OR 28 VDC (RESISTIVE) |
| ELECTRICAL LIFE | 6,000 CYCLES AT RATED LOAD |
| CONTACT RESISTANCE | 10 MILLIOHMS MAX INITIAL @ 2-4VDC, 100ma |
| INSULATION RESISTANCE | 1,000 MEGOHMS MIN |
| DIELECTRIC WITHSTANDING VOLTAGE | 1,000 V RMS AT SEA LEVEL |
| OPERATING TEMPRATURE | -30C TO 85C |

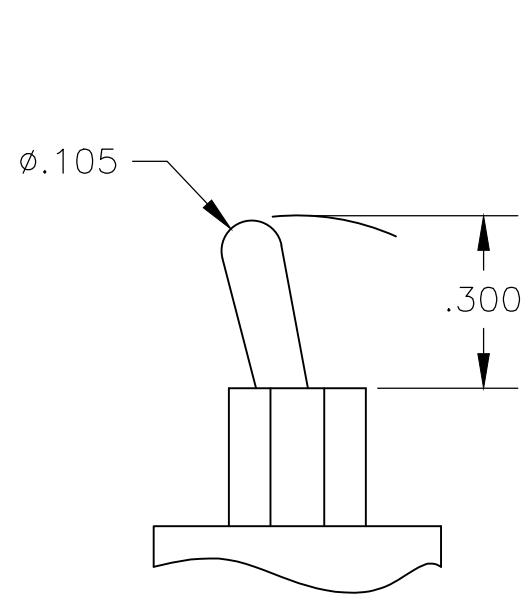
| PART NUMBER SEQUENCE CHART | | | | | | |
|----------------------------|----------|--------|---------|----------|---------|------|
| MODEL | FUNCTION | TOGGLE | BUSHING | TERMINAL | CONTACT | RoHS |
| AE1 | 01 | M | D1 | A | B | 04 |
| | 03 | S | | AV2 | G | |
| | 05 | | | C | Q | |
| | 07 | | | V30 | | |
| | 08 | | | V40 | | |
| | | | | W | | |
| | | | | W4 | | |
| | | | | Z | | |
| | | Z3 | | | | |

EXAMPLE: AE101SD1CQ04

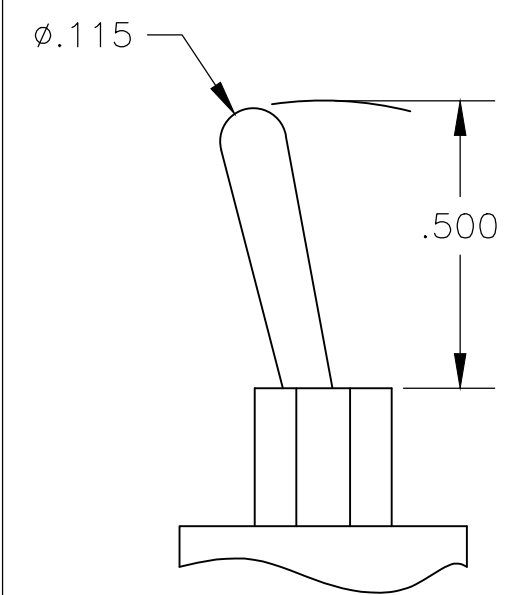
| | | | | | | |
|--|--|------------------|----------|---------|---|-----------|
| THIS DRAWING IS A CONTROLLED DOCUMENT. | | DWN | M. ZITTO | 18MAY05 | TE Connectivity | |
| DIMENSIONS: INCHES | | CHK | M. ZITTO | - | | |
| TOLERANCES UNLESS OTHERWISE SPECIFIED: | | APVD | M. ZITTO | - | GEMINI AE SERIES TOGGLE SWITCH, SINGLE POLE | |
| 0 PLC ± - | | PRODUCT SPEC | - | - | | |
| 1 PLC ± - | | APPLICATION SPEC | - | - | SIZE | A2 |
| 2 PLC ± - | | WEIGHT | - | - | CAGE CODE | 00779 |
| 3 PLC ± .010 | | FINISH | - | - | DRAWING NO | C=1825142 |
| 4 PLC ± - | | | | | RESTRICTED TO | - |
| ANGLES ± 2° | | | | | SCALE | 3:1 |
| MATERIAL | | | | | SHEET | 1 of 4 |
| | | | | | REV | A5 |
| | | | | | CUSTOMER DRAWING | |

THIS DRAWING IS UNPUBLISHED. RELEASED FOR PUBLICATION
 © COPYRIGHT - By - ALL RIGHTS RESERVED.

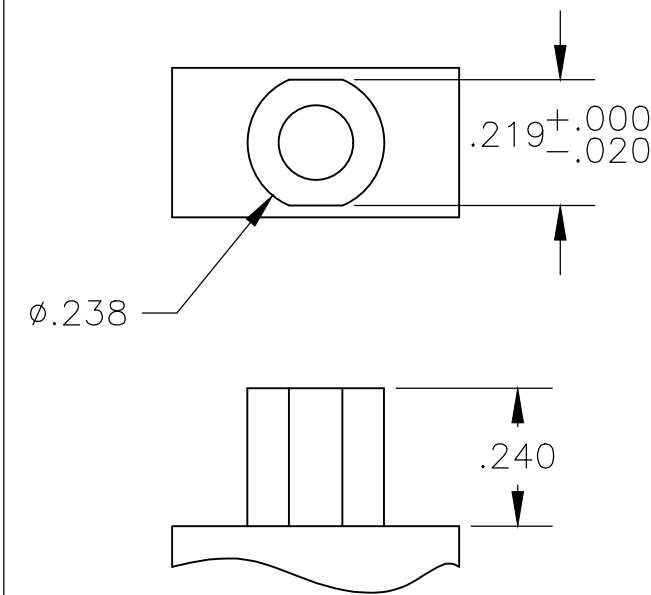
| REVISIONS | | | | |
|-----------|-----|-------------|------|------|
| P | LTR | DESCRIPTION | DATE | APVD |
| - | - | SEE SHEET 1 | - | - |



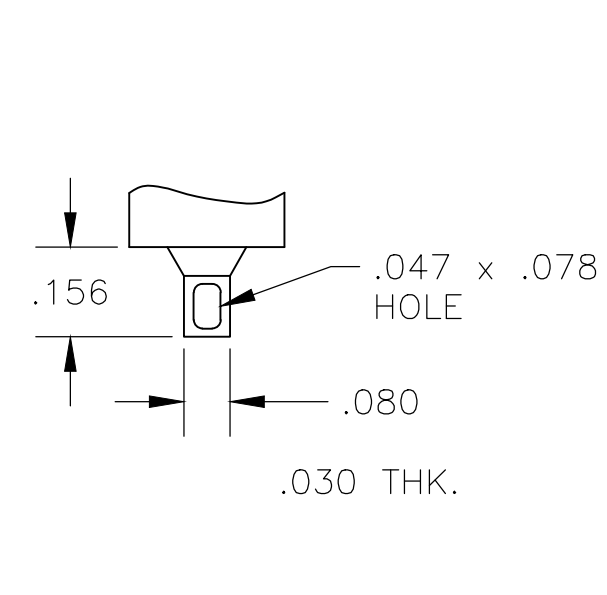
M SHORT



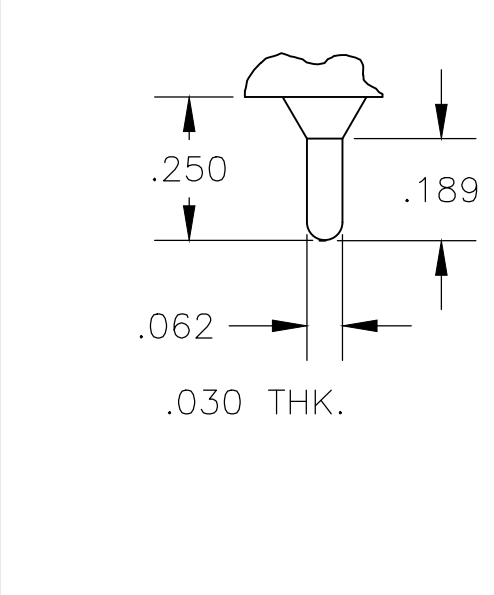
S STANDARD



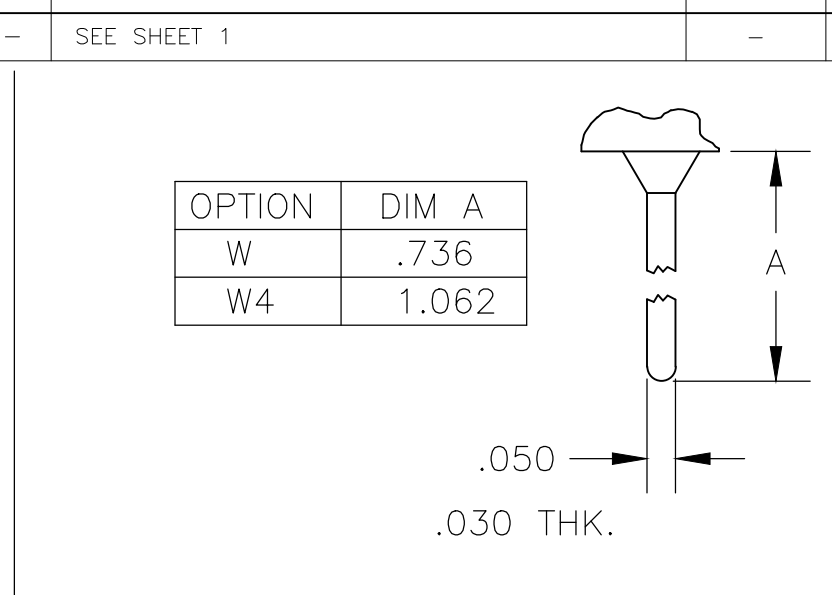
D1 BUSHING



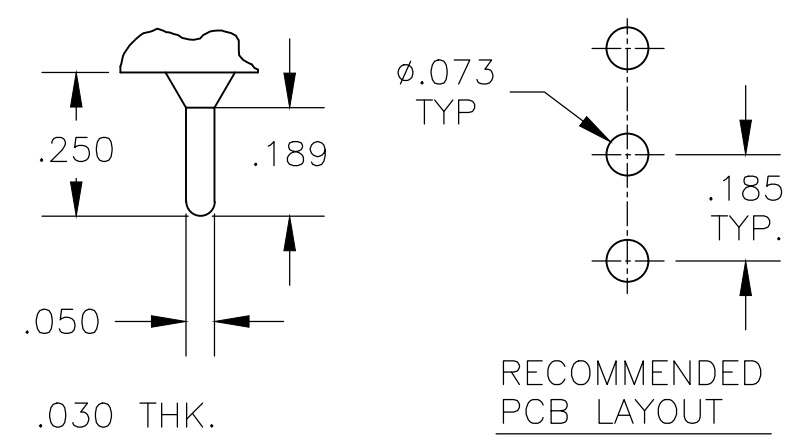
Z WIRE LUG



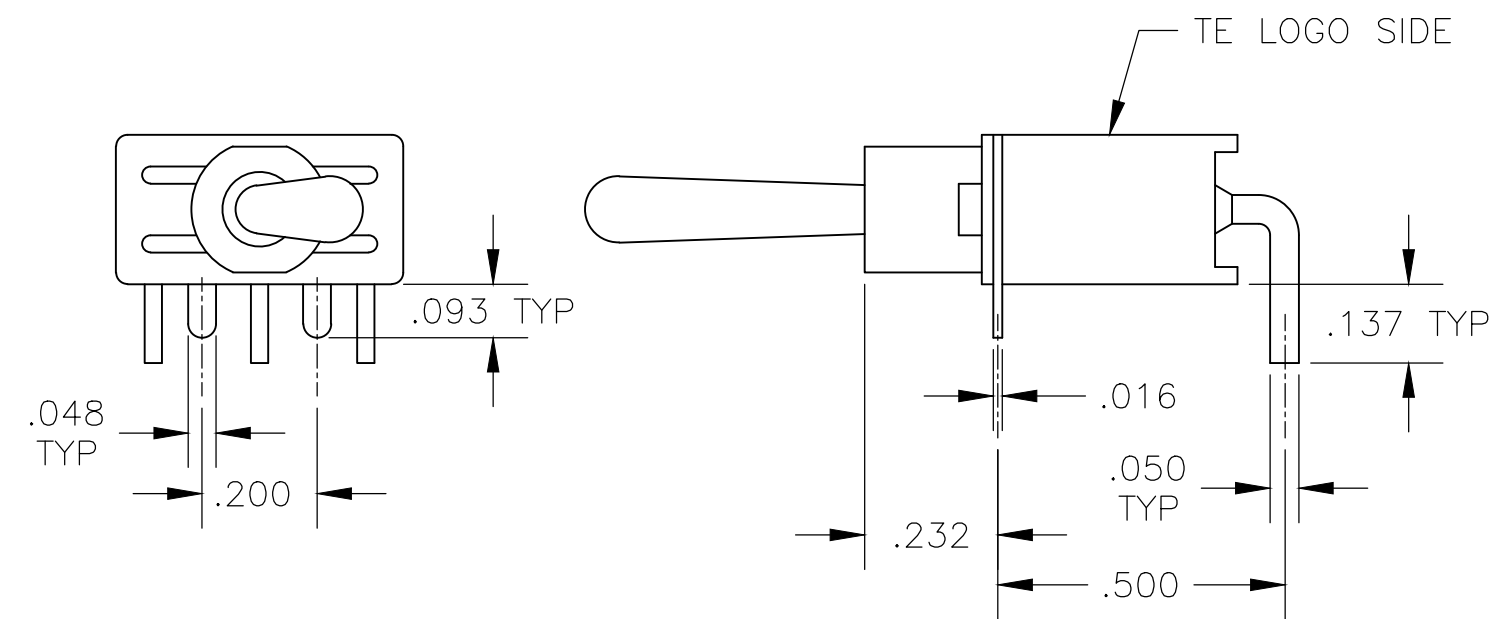
Z3 QUICK CONNECT



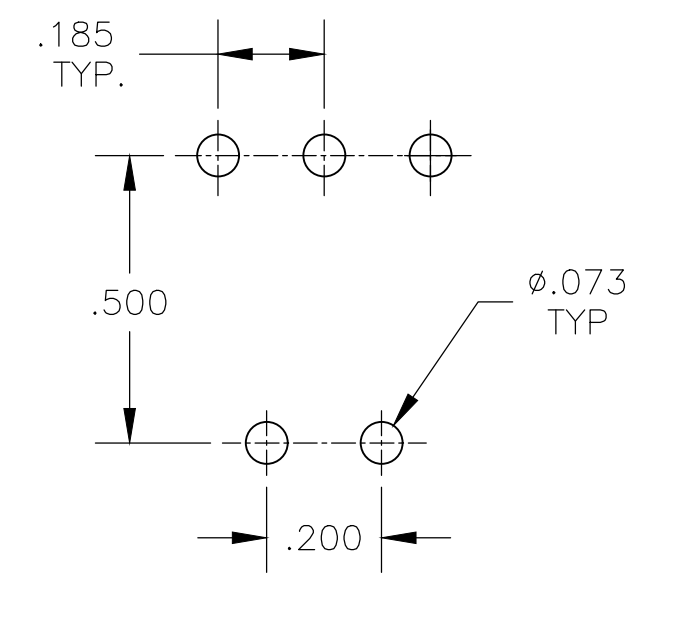
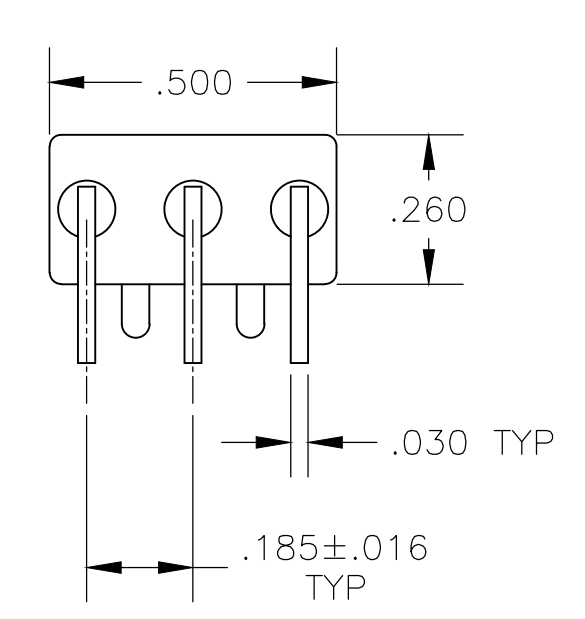
W W4 WIRE WRAP



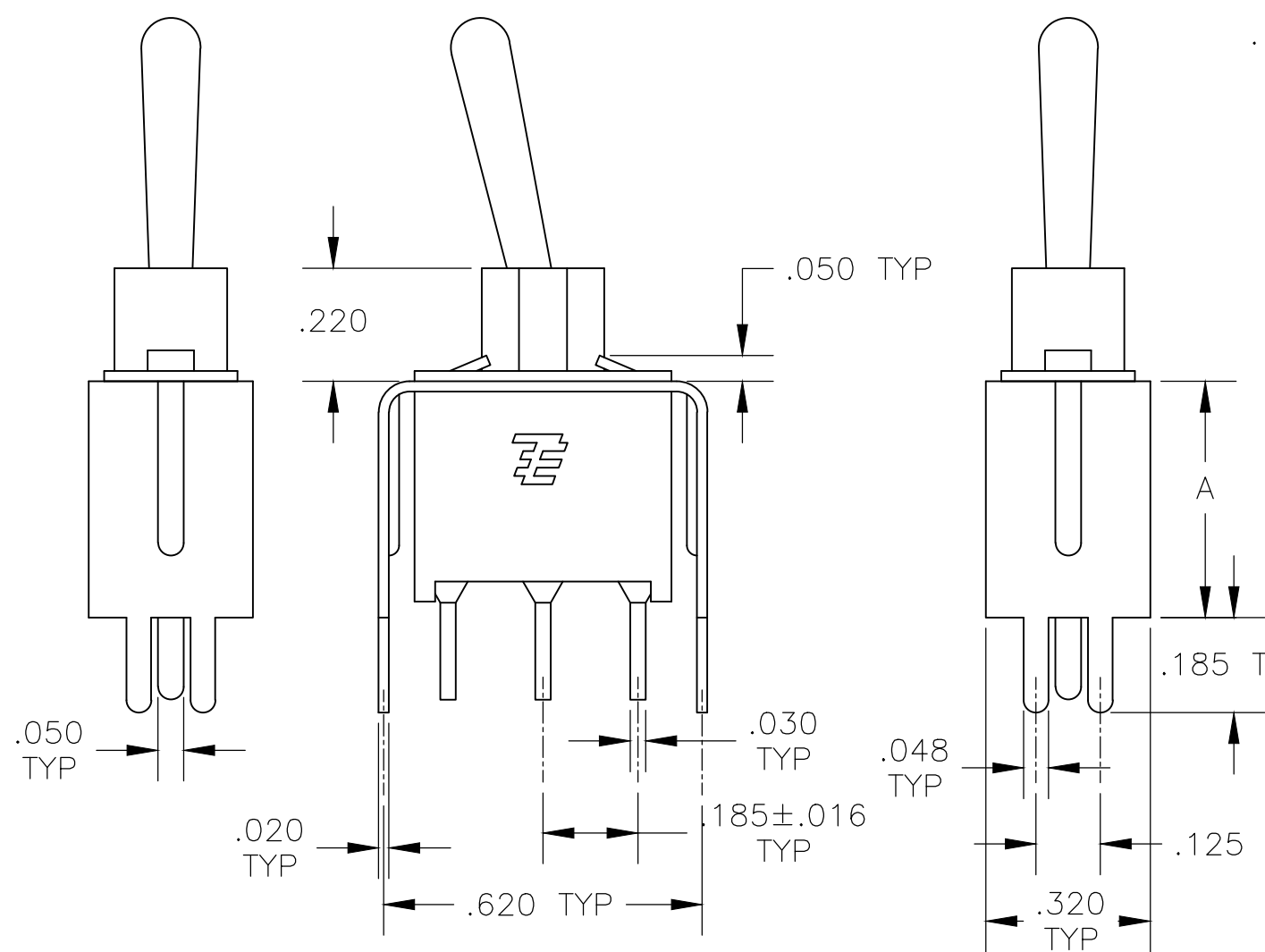
C PRINTED CIRCUIT



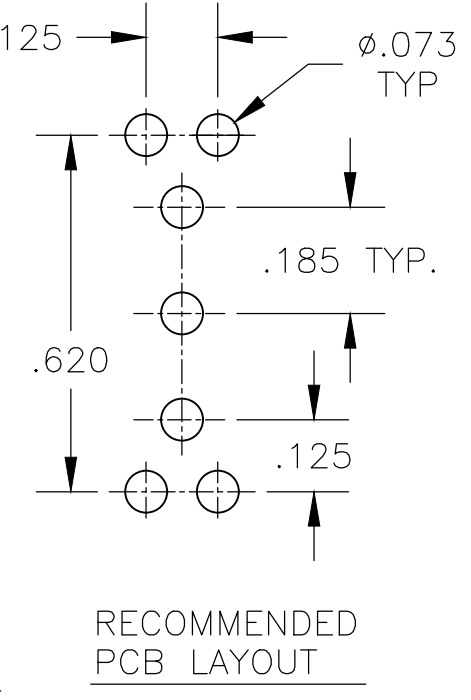
A RIGHT ANGLE



RECOMMENDED PCB LAYOUT

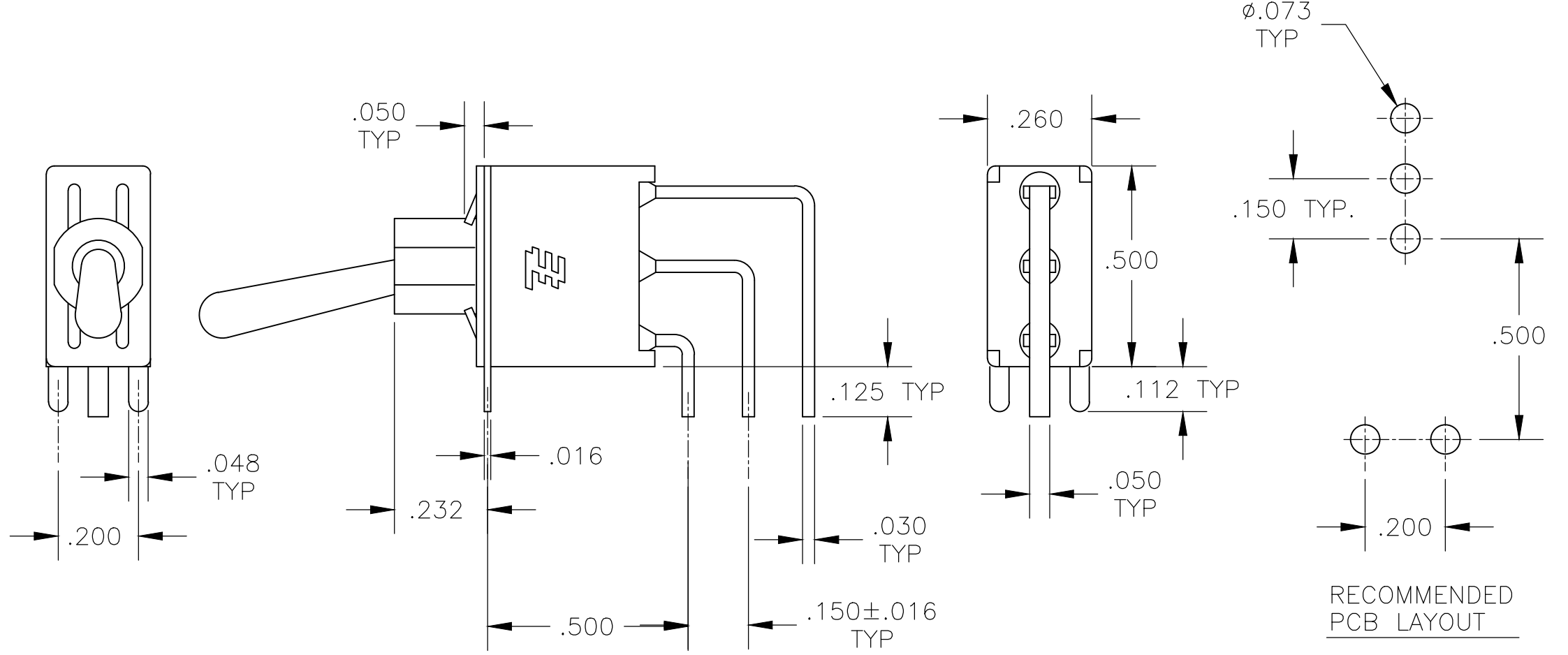


V30 V40 VERTICAL SUPPORT BRACKET



RECOMMENDED PCB LAYOUT

| OPTION | DIM A |
|--------|-------|
| V30 | .460 |
| V40 | .630 |



AV2 VERTICAL RIGHT ANGLE

RECOMMENDED PCB LAYOUT

THIS DRAWING IS A CONTROLLED DOCUMENT.

| | | | | |
|--------------------|--|------------------|---------|--|
| DIMENSIONS: INCHES | TOLERANCES UNLESS OTHERWISE SPECIFIED: | DWN: M. ZITTO | 18MAY05 | TE Connectivity |
| | 0 PLC ± - | CHK: M. ZITTO | - | |
| | 1 PLC ± - | APVD: M. ZITTO | - | |
| | 2 PLC ± - | PRODUCT SPEC | - | |
| MATERIAL | FINISH | APPLICATION SPEC | - | NAME: GEMINI AE SERIES TOGGLE SWITCH, SINGLE POLE SIZE: A2 CAGE CODE: 00779 DRAWING NO: 1825142 RESTRICTED TO: - SCALE: 3:1 SHEET: 2 of 4 REV: A5 |

CUSTOMER DRAWING


THIS DRAWING IS UNPUBLISHED. RELEASED FOR PUBLICATION
 © COPYRIGHT - By - ALL RIGHTS RESERVED.

| REVISIONS | | | | |
|-----------|-----|-------------|------|------|
| P | LTR | DESCRIPTION | DATE | APVD |
| - | - | SEE SHEET 1 | - | - |

| Alco P/N | TE P/N | |
|----------------|-------------|----------|
| AE101MD1AB04 | 1825142-1 | |
| AE101MD1AG04 | 1825142-2 | |
| not assigned | 1825142-3 | OBSOLETE |
| AE101MD1AQ04 | 1825142-4 | |
| AE101MD1AV2B04 | 1825142-5 | |
| AE101MD1AV2Q04 | 1825142-6 | |
| not assigned | 1825142-7 | OBSOLETE |
| AE101MD1CB04 | 1825142-8 | |
| AE101MD1CG04 | 1825142-9 | |
| AE101MD1CQ04 | 1-1825142-0 | OBSOLETE |
| AE101MD1V30B04 | 1-1825142-1 | |
| AE101MD1V30Q04 | 1-1825142-2 | |
| AE101MD1W4B04 | 1-1825142-3 | |
| AE101MD1W4Q04 | 1-1825142-4 | OBSOLETE |
| AE101SD1AB04 | 1-1825142-5 | |
| AE101SD1AQ04 | 1-1825142-6 | |
| not assigned | 1-1825142-7 | OBSOLETE |
| AE101SD1AV2B04 | 1-1825142-8 | |
| AE101SD1AV2Q04 | 1-1825142-9 | OBSOLETE |
| AE101SD1CB04 | 2-1825142-0 | |
| AE101SD1CQ04 | 2-1825142-1 | |
| AE101SD1V30B04 | 2-1825142-2 | |
| AE101SD1V30Q04 | 2-1825142-3 | OBSOLETE |
| AE103MD1AB04 | 2-1825142-4 | |
| AE103MD1AV2B04 | 2-1825142-5 | |
| AE103MD1CB04 | 2-1825142-6 | |
| NOT ASSIGNED | 2-1825142-7 | |
| AE103MD1W4B04 | 2-1825142-8 | OBSOLETE |
| AE103SD1AV2B04 | 2-1825142-9 | |
| AE103SD1CB04 | 3-1825142-0 | |
| AE103SD1CQ04 | 3-1825142-1 | |
| not assigned | 3-1825142-2 | |
| AE103SD1V30B04 | 3-1825142-3 | |
| AE103SD1W4B04 | 3-1825142-4 | OBSOLETE |
| AE105MD1AB04 | 3-1825142-5 | |
| AE105MD1AG04 | 3-1825142-6 | |
| AE105MD1AV2B04 | 3-1825142-7 | |
| AE105MD1W4B04 | 3-1825142-8 | OBSOLETE |
| AE105SD1CB04 | 3-1825142-9 | |
| AE105SD1V30B04 | 4-1825142-0 | OBSOLETE |

| Alco P/N | TE P/N | |
|----------------|-------------|----------|
| AE105SD1W4B04 | 4-1825142-1 | OBSOLETE |
| AE107MD1AV2B04 | 4-1825142-2 | |
| AE107SD1AB04 | 4-1825142-3 | |
| AE107SD1AG04 | 4-1825142-4 | OBSOLETE |
| AE107SD1CB04 | 4-1825142-5 | |
| AE107SD1V30B04 | 4-1825142-6 | |
| AE108MD1AQ04 | 4-1825142-7 | |
| AE108MD1AV2B04 | 4-1825142-8 | |
| AE108MD1AV2Q04 | 4-1825142-9 | OBSOLETE |
| AE108SD1AB04 | 5-1825142-0 | |
| AE108SD1AQ04 | 5-1825142-1 | |
| AE108SD1CQ04 | 5-1825142-2 | |
| not assigned | 5-1825142-3 | OBSOLETE |
| AE108SD1V30B04 | 5-1825142-4 | |
| AE108SD1W4B04 | 5-1825142-5 | OBSOLETE |

| MATERIALS CHART | | |
|--------------------------|---------------------------|------------------------|
| COMPONENT NAME | BASE MATERIAL | FINISH |
| CASE & BUSHING | NYLON, RED, UL94 V-0 | |
| O-RING | PVC, BLACK | |
| B TERMINALS & CONTACTS | COPPER | GOLD OVER NICKEL |
| G TERMINALS & CONTACTS | COPPER | GOLD OVER SILVER |
| Q TERMINALS & CONTACTS | COPPER | GOLD FLASH OVER SILVER |
| ACTUATOR | PHENOLIC, BLACK, UL94 V-1 | |
| LEVER | BRASS | CHROME |
| SPRING | MUSIC WIRE | |
| PIVOT PIN | STEEL | NICKEL |
| LOCK WASHER | STAINLESS STEEL | |
| LOCKING RING | STAINLESS STEEL | |
| NUTS | BRASS | NICKEL |
| TERMINAL SEAL | EPOXY, UL94V-0 | |
| MARKING | INK, BLACK | |
| SUPPORT BRACKET | BRASS OR STEEL | TIN |
| SUPPORT BRACKET RETAINER | STAINLESS STEEL | |

| | | | | | |
|---|--|------------------|--------------|---|-----------------------|
| THIS DRAWING IS A CONTROLLED DOCUMENT. | | DWN M. ZITTO | 18MAY05 |  TE Connectivity | |
| DIMENSIONS: INCHES | | CHK M. ZITTO | - | | |
| TOLERANCES UNLESS OTHERWISE SPECIFIED: | | APVD M. ZITTO | - | NAME GEMINI AE SERIES TOGGLE SWITCH, SINGLE POLE | |
| 0 PLC ± - 1 PLC ± - 2 PLC ± - 3 PLC ± .010 4 PLC ± - ANGLES ± 2' | | PRODUCT SPEC | - | SIZE A2 | |
| MATERIAL | | APPLICATION SPEC | - | CAGE CODE 00779 | DRAWING NO 1825142 |
| FINISH | | WEIGHT | - | RESTRICTED TO - | |
| CUSTOMER DRAWING | | | SCALE 3:1 | SHEET 3 of 4 | REV A5 |

1825142

X-ON Electronics

Largest Supplier of Electrical and Electronic Components

Click to view similar products for [Toggle Switches](#) category:

Click to view products by [TE Connectivity](#) manufacturer:

Other Similar products are found below :

[8928K478](#) [8A1-C-222](#) [020017-13](#) [60012L](#) [6006L](#) [CS115W](#) [CS120W](#) [6663](#) [7101SPDV30BE](#) [7103SDV30BE](#) [7105D](#) [7108P3YAV2BE](#)
[71YY50282](#) [7300K36](#) [7301K38](#) [7306K36](#) [7310K36](#) [7506K4](#) [7592K6](#) [7660K12](#) [7691K14](#) [7700K1](#) [8391K108](#) [8396K108](#) [8811K17](#)
[8812K14](#) [8824K14](#) [8828K13](#) [8835K3](#) [8858K44](#) [PS83-121G](#) [1-1825192-0](#) [A201SCWZB04](#) [A207SYCB04](#) [A208J61ZQ0004](#) [A221T1TCQ](#)
[A323S1CWZQ](#) [A423S1CWZG-M8](#) [1201W](#) [12156AX408](#) [12147AGKX679](#) [12246X778](#) [12TW49-3D](#) [130312](#) [13037L](#) [13001X](#)
[AE101MD1W4B04](#) [AE208SD1W4B04](#) [MS24659-22D](#) [MS27407-5](#)