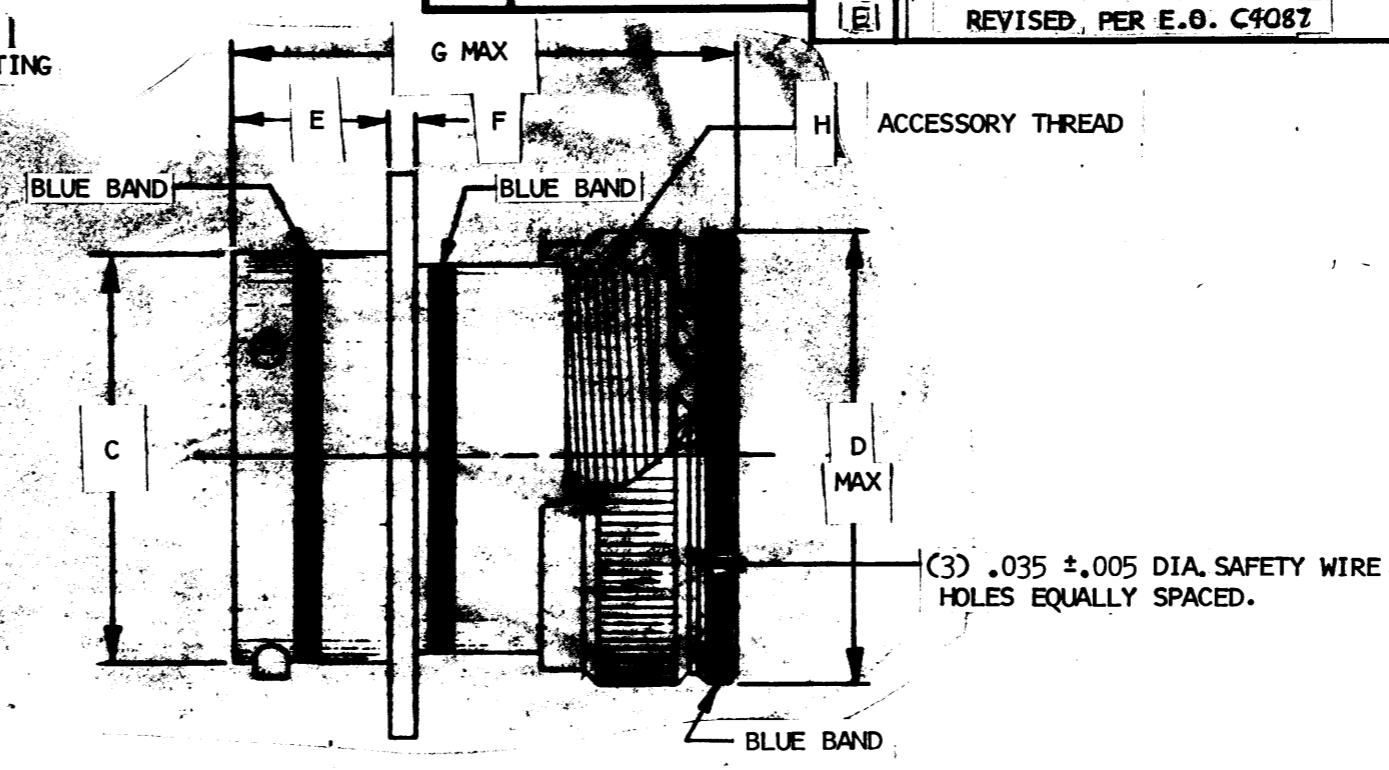
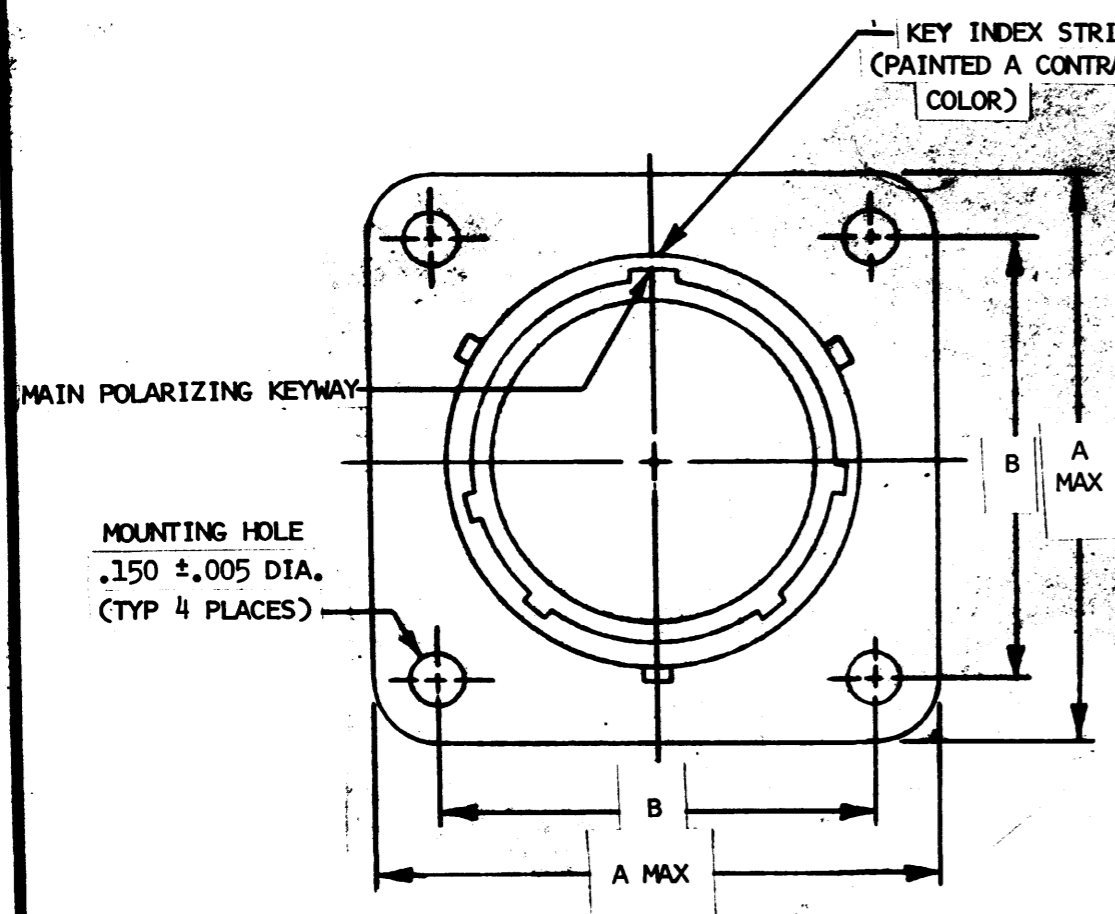


E		AFD58-*P/S*		REVISIONS			
SYM	DESCRIPTION	DATE	APPROVED				
E	REVISED PER E.O. C4087	7/25/77	[Signature]				



PART NO'S	A	B±.005	C+.001 -.005	D	E+.031 -.000	F±.015	G	H THREAD	MAX. WEIGHTS IN LBS.
AFD58-8-*P/S*	1.064	.734	.473	.615	.462	.062	1.492	1/2-20 UNEF	PIN .0250 SOC .0262
AFD58-10-*P/S*	1.141	.812	.590	.734	.462	.062	1.492	5/8-24 UNEF	PIN .0328 SOC .0351
AFD58-12-*P/S*	1.266	.938	.750	.858	.462	.062	1.492	3/4-20 UNEF	PIN .0478 SOC .0512
AFD58-14-*P/S*	1.360	1.031	.875	.984	.462	.062	1.492	7/8-20 UNEF	PIN .0600 SOC .0654
AFD58-16-*P/S*	1.453	1.125	1.000	1.112	.462	.062	1.492	1-20 UNEF	PIN .0695 SOC .0784
AFD58-18-*P/S*	1.532	1.203	1.125	1.218	.462	.062	1.492	1 1/16-18 UNEF	PIN .0835 SOC .0925
AFD58-20-*P/S*	1.688	1.297	1.250	1.345	.556	.094	1.552	1 3/16-18 UNEF	PIN .1057 SOC .1174
AFD58-22-*P/S*	1.766	1.375	1.375	1.468	.556	.094	1.552	1 5/16-18 UNEF	PIN .1235 SOC .1428
AFD58-24-*P/S*	1.891	1.500	1.500	1.593	.589	.094	1.552	1 7/16-18 UNEF	PIN .1389 SOC .1558

- NOTES:
- FOR AVAILABLE CONTACT ARRANGEMENTS AND ALTERNATE INSERT POSITIONS SEE 38500B SHEETS IN DBA CATALOG SECTION.
  - FOR BACKSHELL WITH STRAIGHT STRAIN RELIEF OR 90° STRAIN RELIEF, CONSULT FACTORY.
  - THIS CONNECTOR IS DESIGNED TO MEET THE REQUIREMENTS OF MIL-C-26482, CLASS R, EXCEPT IS SUPPLIED WITH BACKSHELL.
  - FINISH: ELECTROLESS NICKEL.
  - DIMENSIONS ARE IN INCHES UNLESS OTHERWISE SPECIFIED.
  - CONNECTOR WEIGHTS SHOWN ARE LESS CONTACTS.

SIGNATURE & DATE	
DR	L. Stolle 3-10-72
CHK	L. Stolle 3-10-72
PE	9Blair 3-10-72
APPD	[Signature]
SCALE	NONE
WT	

RECEPTACLE  
WIDE SQUARE FLANGE MTG.  
BAYONET COUPLING CONN.  
MIL-C-26482 TYPE  
(ENVELOPE)

CP

**The Deutsch Company**  
ELECTRONIC COMPONENTS DIVISION  
Municipal Airport  
Banning, California

**B** AFD58-\*P/S\*

DWG SIZE: CODE 11139 SHEET 1 OF 1

## X-ON Electronics

Largest Supplier of Electrical and Electronic Components

*Click to view similar products for [Circular MIL Spec Connector](#) category:*

*Click to view products by [TE Connectivity](#) manufacturer:*

Other Similar products are found below :

[0025-262-542](#) [0025-264-3014](#) [58-570121-04S](#) [0134-202-1200](#) [0134-207-1206](#) [0134-207-1800](#) [0134-207-2207](#) [0134-213-0806](#) [0134-213-1007](#) [0134-213-1009](#) [0134-213-1208](#) [0134-213-1800](#) [0134-213-2209](#) [0025-258-000](#) [015-9516-002](#) [60-042217-10P](#) [60-042722-19P](#) [0114-201-1278](#) [602GB06EG24-61SN](#) [0134-201-1207](#) [0134-201-1806](#) [0134-201-2006](#) [0134-201-2007](#) [0134-201-2010](#) [0134-202-1400](#) [0134-207-0809](#) [0134-207-1208](#) [0134-207-2009](#) [0134-213-1006](#) [6104-207-2302](#) [6104-208-1902](#) [6104-215-0902](#) [6131-202-19149P](#) [6131-204-21149P](#) [6131-207-13149P](#) [6131-208-13149P](#) [6131-209-17149P](#) [6131-210-11149P](#) [6131-211-19149P](#) [6131-216-19149P](#) [6131-220-25149P](#) [6131-259-11149P](#) [6131-259-21149P](#) [6131-259-23149P](#) [6131-263-19149P](#) [6131-265-17149P](#) [6131-265-19149P](#) [CS3102A-20-15P](#) [CS3102A-20-15S](#) [CS3102A-28-15S](#)