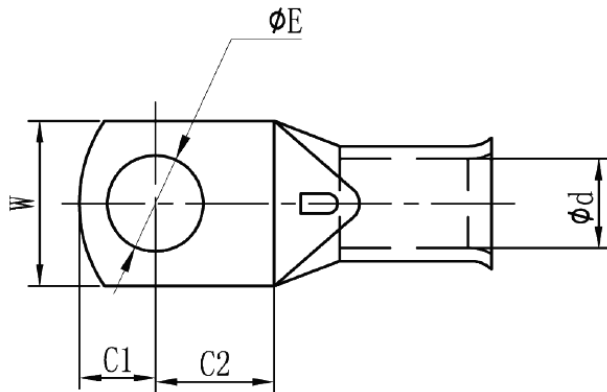
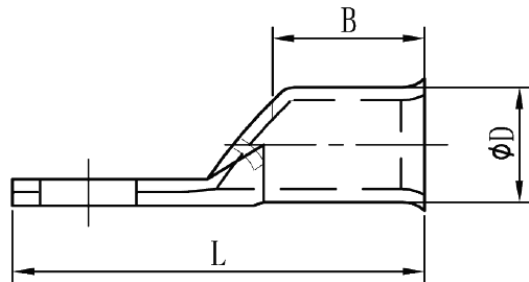


THIS DRAWING IS UNPUBLISHED. RELEASED FOR PUBLICATION
 © COPYRIGHT - By - ALL RIGHTS RESERVED.

LOC		DIST		REVISIONS				
P	LTR	DESCRIPTION			DATE	DWN	APVD	
E	G	A	INITIAL RELEASE			14AUG2013	PK	PC



'A' HOLE DIA	ϕE ± 0.2	ϕD $+0.1$ 0	ϕd ± 0.2	W ± 0.6	C1 ± 0.6	C2 ± 0.6	B ± 0.6	L ± 0.6
M5	5.3	6.9	4.4	10.5	5.1	5.9	9.0	27.0
M6	6.4	6.9	4.4	10.5	5.1	5.9	9.0	27.0
M8	8.4	6.9	4.4	14.0	8.3	9.8	10.0	35.0
M10	10.5	6.9	4.4	16.0	10.0	12.0	10.0	39.0
M12	13.0	6.9	4.4	18.0	10.0	12.0	10.0	39.0

$\phi 13.0 \pm 0.2$	AMP_METRIC_10.0_M12	2178691-5
$\phi 10.5 \pm 0.2$	AMP_METRIC_10.0_M10	2178691-4
$\phi 8.4 \pm 0.2$	AMP_METRIC_10.0_M8	2178691-3
$\phi 6.4 \pm 0.2$	AMP_METRIC_10.0_M6	2178691-2
$\phi 5.3 \pm 0.2$	AMP_METRIC_10.0_M5	2178691-1
'A' STUD HOLE DIM	DESCRIPTION	PART NO.

THIS DRAWING IS A CONTROLLED DOCUMENT.

DIMENSIONS: INCHES		TOLERANCES UNLESS OTHERWISE SPECIFIED:		DWN 02MAY2013 PRAKASH KANNIAH		CHK 02MAY2013 PAUL CROFT		APVD 02MAY2013 STEPHEN HEADER		NAME STEPHEN HEADER		TE Connectivity	
		0 PLC ± - 1 PLC ± 1 2 PLC ± .02 3 PLC ± .005 4 PLC ± - - ANGLES ± - FINISH		PRODUCT SPEC APPLICATION SPEC WEIGHT		SIZE A2		CAGE CODE 00779		DRAWING NO C=2178691		RESTRICTED TO -	
MATERIAL -		FINISH		CUSTOMER DRAWING		SCALE 4:1		SHEET 1 of 1		REV A			

2178651

X-ON Electronics

Largest Supplier of Electrical and Electronic Components

Click to view similar products for [Terminals](#) category:

Click to view products by [TE Connectivity](#) manufacturer:

Other Similar products are found below :

[00-054007-01074-6](#) [00-054007-70206-1](#) [00-054007-70210-8](#) [00-054007-70217-7](#) [00-054007-70226-9](#) [00-054007-70228-3](#) [00-054007-70248-1](#) [00-054007-70256-6](#) [00-054007-70301-3](#) [00-054007-70316-7](#) [00-054007-49560-4](#) [00-054007-70209-2](#) [00-054007-70225-2](#) [00-054007-70227-6](#) [00-054007-70231-3](#) [00-054007-70241-2](#) [00-054007-70242-9](#) [00-054007-70244-3](#) [00-054007-70246-7](#) [00-054007-70263-4](#) [00-054007-70288-7](#) [00-054007-70290-0](#) [00-054007-70300-6](#) [00-054007-70304-4](#) [01-2065-1-0216](#) [01-2900-1-04412](#) [00581P0075](#) [600TS-10](#) [60205-1](#) [604200-1](#) [605601-1](#) [60598-1-CUT-TAPE](#) [61314-6-C](#) [61810-3](#) [61-S](#) [61-SN](#) [626-0194](#) [62-NBM-A](#) [62-SN](#) [62-SP](#) [63-S](#) [640179-1](#) [M55155/059I03](#) [M55155/079C01](#) [M55155/099H02](#) [M55155/109H01](#) [M55155/109H02](#) [M55155/12XH05](#) [M55155/16XH02](#) [M55155/29-5S](#)