

4

3

2

1

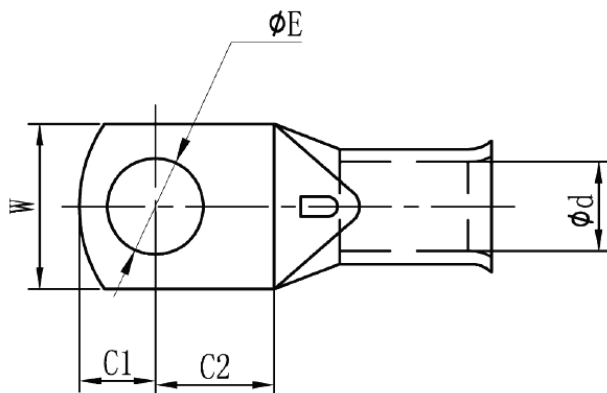
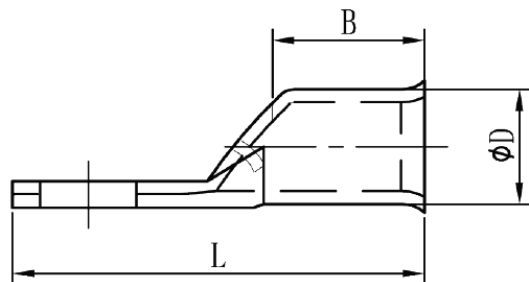
THIS DRAWING IS UNPUBLISHED.

RELEASED FOR PUBLICATION

ALL RIGHTS RESERVED.

© COPYRIGHT - By -

LOC		DIST		REVISIONS			
P	LTR	DESCRIPTION		DATE	DWN	APVD	
E	G	A	INITIAL RELEASE	14AUG2013	PK	PC	



'A' HOLE DIA	ϕE ± 0.2	ϕD $\begin{matrix} +0.3 \\ 0 \end{matrix}$	ϕd ± 0.4	W ± 0.8	C1 ± 0.8	C2 ± 0.8	B ± 0.8	L ± 0.8
M8	8.4	19.0	15.0	27.8	16.5	16.5	27.0	73.0
M10	10.5	19.0	15.0	27.8	16.5	16.5	27.0	73.0
M12	13.0	19.0	15.0	27.8	16.5	16.5	27.0	73.0
M14	15.0	19.0	15.0	27.8	16.5	16.5	27.0	73.0
M16	17.0	19.0	15.0	27.8	16.5	16.5	27.0	73.0
M20	21.0	19.0	15.0	27.8	14.3	18.8	27.0	73.0

$\phi 21.0 \pm 0.2$	AMP_METRIC_120.0_M20	2178698-6
$\phi 17.0 \pm 0.2$	AMP_METRIC_120.0_M16	2178698-5
$\phi 15.0 \pm 0.2$	AMP_METRIC_120.0_M14	2178698-4
$\phi 13.0 \pm 0.2$	AMP_METRIC_120.0_M12	2178698-3
$\phi 10.5 \pm 0.2$	AMP_METRIC_120.0_M10	2178698-2
$\phi 8.4 \pm 0.2$	AMP_METRIC_120.0_M8	2178698-1
'A' STUD HOLE DIM	DESCRIPTION	PART NO.

THIS DRAWING IS A CONTROLLED DOCUMENT.		DWN PRAKASH KANNIAH 02MAY2013		TE Connectivity	
DIMENSIONS: INCHES		CHK PAUL CROFT 02MAY2013		APVD STEPHEN HEADER 02MAY2013	
TOLERANCES UNLESS OTHERWISE SPECIFIED:		NAME		AMP_METRIC_120.0	
0 PLC \pm -		PRODUCT SPEC		SIZE	
1 PLC \pm 1		APPLICATION SPEC		CAGE CODE	
2 PLC \pm .02		WEIGHT		DRAWING NO	
3 PLC \pm .005		FINISH		RESTRICTED TO	
4 PLC \pm -		CUSTOMER DRAWING		SCALE	
ANGLES \pm -		MATERIAL		SHEET	
		-		1 of 1	
		-		REV	
		-		A	

X-ON Electronics

Largest Supplier of Electrical and Electronic Components

Click to view similar products for [Terminals](#) category:

Click to view products by [TE Connectivity](#) manufacturer:

Other Similar products are found below :

[00-054007-01074-6](#) [00-054007-70206-1](#) [00-054007-70210-8](#) [00-054007-70217-7](#) [00-054007-70226-9](#) [00-054007-70228-3](#) [00-054007-70248-1](#) [00-054007-70256-6](#) [00-054007-70301-3](#) [00-054007-70316-7](#) [0-0320562-0](#) [00-054007-49560-4](#) [00-054007-70209-2](#) [00-054007-70225-2](#) [00-054007-70227-6](#) [00-054007-70231-3](#) [00-054007-70241-2](#) [00-054007-70242-9](#) [00-054007-70244-3](#) [00-054007-70246-7](#) [00-054007-70263-4](#) [00-054007-70288-7](#) [00-054007-70290-0](#) [00-054007-70300-6](#) [00-054007-70304-4](#) [01-2065-1-0216](#) [01-2900-1-04412](#) [00581P0075](#) [600TS-10](#) [60205-1](#) [604200-1](#) [605601-1](#) [60598-1-CUT-TAPE](#) [61314-6-C](#) [61810-3](#) [61-S](#) [61-SN](#) [626-0194](#) [62-NBM-A](#) [62-SN](#) [62-SP](#) [63-S](#) [640179-1](#) [M55155/059I03](#) [M55155/079C01](#) [M55155/099H02](#) [M55155/109H01](#) [M55155/109H02](#) [M55155/12XH05](#) [M55155/16XH02](#)