

4

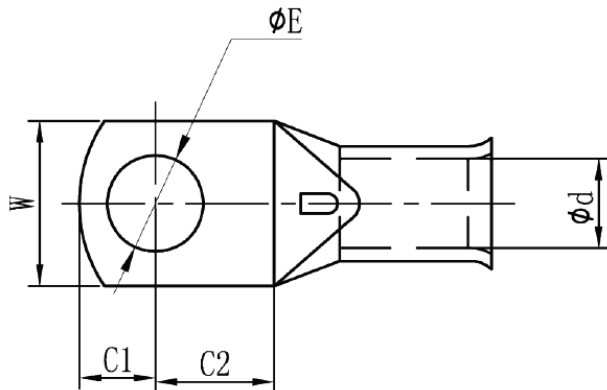
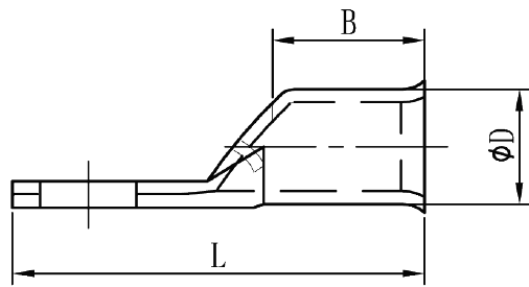
3

2

1

THIS DRAWING IS UNPUBLISHED. RELEASED FOR PUBLICATION
 © COPYRIGHT - By - ALL RIGHTS RESERVED.

LOC	DIST	REVISIONS			
P	LTR	DESCRIPTION	DATE	DWN	APVD
E	G	A	INITIAL RELEASE	14AUG2013	PK CP



'A' HOLE DIA	ϕE ± 0.2	ϕD $\begin{matrix} +0.3 \\ 0 \end{matrix}$	ϕd ± 0.5	W ± 0.8	C1 ± 0.8	C2 ± 0.8	B ± 0.8	L ± 0.8
M10	10.5	28.0	23.0	41.5	17.0	18.0	37.0	97.0
M12	13.0	28.0	23.0	41.5	17.0	18.0	37.0	97.0
M14	15.0	28.0	23.0	41.5	17.0	18.0	37.0	97.0
M16	17.0	28.0	23.0	41.5	17.0	18.0	37.0	97.0
M20	21.0	28.0	23.0	41.5	17.0	18.0	37.0	97.0

$\phi 21.0 \pm 0.2$	AMP_METRIC_300_M20	2178702-5
$\phi 17.0 \pm 0.2$	AMP_METRIC_300_M16	2178702-4
$\phi 15.0 \pm 0.2$	AMP_METRIC_300_M14	2178702-3
$\phi 13.0 \pm 0.2$	AMP_METRIC_300_M12	2178702-2
$\phi 10.5 \pm 0.2$	AMP_METRIC_300_M10	2178702-1
'A' STUD HOLE DIM	DESCRIPTION	PART NO.

THIS DRAWING IS A CONTROLLED DOCUMENT.

DWN PRAKASH KANNIAH 06MAY2013	CHK PAUL CROFT 06MAY2013	APVD STEPHEN HEADER 06MAY2013		NAME																		
DIMENSIONS: INCHES		TOLERANCES UNLESS OTHERWISE SPECIFIED:		PRODUCT SPEC																		
<table border="1"> <tr><td>0 PLC</td><td>±</td><td>-</td></tr> <tr><td>1 PLC</td><td>±</td><td>-</td></tr> <tr><td>2 PLC</td><td>±</td><td>-</td></tr> <tr><td>3 PLC</td><td>±</td><td>-</td></tr> <tr><td>4 PLC</td><td>±</td><td>-</td></tr> <tr><td>ANGLES</td><td>±</td><td>-</td></tr> </table>		0 PLC	±	-	1 PLC	±	-	2 PLC	±	-	3 PLC	±	-	4 PLC	±	-	ANGLES	±	-	APPLICATION SPEC		SIZE
0 PLC	±	-																				
1 PLC	±	-																				
2 PLC	±	-																				
3 PLC	±	-																				
4 PLC	±	-																				
ANGLES	±	-																				
MATERIAL		WEIGHT		CAGE CODE																		
-		-		DRAWING NO																		
		CUSTOMER DRAWING		RESTRICTED TO																		
		SCALE 4:1		SHEET 1 of 1																		
		REV A																				

APR 2013
 STE TE Connectivity
 AMP_METRIC_300
 A2 00779 C=2178702

2178554

X-ON Electronics

Largest Supplier of Electrical and Electronic Components

Click to view similar products for [Terminals](#) category:

Click to view products by [TE Connectivity](#) manufacturer:

Other Similar products are found below :

[00-054007-01074-6](#) [00-054007-70206-1](#) [00-054007-70210-8](#) [00-054007-70217-7](#) [00-054007-70226-9](#) [00-054007-70228-3](#) [00-054007-70248-1](#) [00-054007-70256-6](#) [00-054007-70301-3](#) [00-054007-70316-7](#) [0-0320562-0](#) [00-054007-49560-4](#) [00-054007-70209-2](#) [00-054007-70225-2](#) [00-054007-70227-6](#) [00-054007-70231-3](#) [00-054007-70241-2](#) [00-054007-70242-9](#) [00-054007-70244-3](#) [00-054007-70246-7](#) [00-054007-70263-4](#) [00-054007-70288-7](#) [00-054007-70290-0](#) [00-054007-70300-6](#) [00-054007-70304-4](#) [01-2065-1-0216](#) [01-2900-1-04412](#) [00581P0075](#) [600TS-10](#) [60205-1](#) [604200-1](#) [605601-1](#) [60598-1-CUT-TAPE](#) [61314-6-C](#) [61810-3](#) [61-S](#) [61-SN](#) [626-0194](#) [62-NBM-A](#) [62-SN](#) [62-SP](#) [63-S](#) [640179-1](#) [M55155/059I03](#) [M55155/079C01](#) [M55155/099H02](#) [M55155/109H01](#) [M55155/109H02](#) [M55155/12XH05](#) [M55155/16XH02](#)