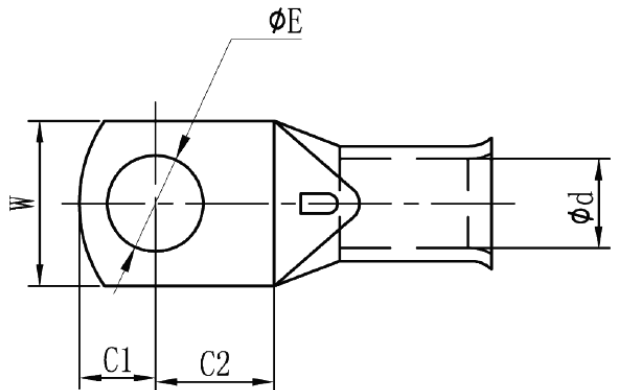
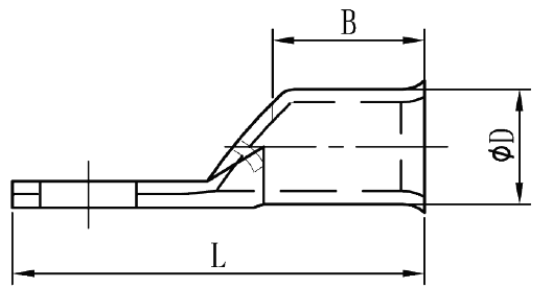


THIS DRAWING IS UNPUBLISHED. RELEASED FOR PUBLICATION
 © COPYRIGHT - A ALL RIGHTS RESERVED.

LOC		DIST		REVISIONS			
P	LTR	DESCRIPTION		DATE	DWN	APVD	
E	G	A	INITIAL RELEASE	14AUG2013	PK	PC	



'A' HOLE DIA	phi E ±0.2	phi D +0.2 0	phi d ±0.3	W ±0.6	C1 ±0.6	C2 ±0.6	B ±0.6	L ±0.6
M5	5.3	12.1	9.5	17.7	8.3	9.8	18.0	46.0
M6	6.4	12.1	9.5	17.7	8.3	9.8	18.0	46.0
M8	8.4	12.1	9.5	17.7	8.3	9.8	18.0	46.0
M10	10.5	12.1	9.5	17.7	10.0	12.0	18.0	50.0
M12	13.0	12.1	9.5	17.7	10.0	12.0	18.0	50.0
M14	15.0	12.1	9.5	20.0	12.0	15.0	18.0	55.0
M16	17.0	12.1	9.5	22.0	12.0	15.0	18.0	55.0

phi 17.0 ±0.2	AMP_METRIC_50.0_M16	2178695-7
phi 15.0 ±0.2	AMP_METRIC_50.0_M14	2178695-6
phi 13.0 ±0.2	AMP_METRIC_50.0_M12	2178695-5
phi 10.5 ±0.2	AMP_METRIC_50.0_M10	2178695-4
phi 8.4 ±0.2	AMP_METRIC_50.0_M8	2178695-3
phi 6.4 ±0.2	AMP_METRIC_50.0_M6	2178695-2
phi 5.3 ±0.2	AMP_METRIC_50.0_M5	2178695-1
'A' STUD HOLE DIM	DESCRIPTION	PART NO.

THIS DRAWING IS A CONTROLLED DOCUMENT.

DIMENSIONS: INCHES 		TOLERANCES UNLESS OTHERWISE SPECIFIED: 0 PLC ± - 1 PLC ± 1 2 PLC ± .02 3 PLC ± .005 4 PLC ± - - ANGLES ± - FINISH		DWN: PRAKASH KANNIAH 02MAY2013 CHK: PAUL CROFT 02MAY2013 APVD: STEPHEN HEADER 02MAY2013 PRODUCT SPEC APPLICATION SPEC WEIGHT CUSTOMER DRAWING		NAME: AMP_METRIC_50.0 SIZE: A2 CAGE CODE: 00779 DRAWING NO: C=2178695 RESTRICTED TO: - SCALE: 4:1 SHEET: 1 of 1 REV: A	
---------------------------	--	--	--	---	--	---	--

STE TE Connectivity

X-ON Electronics

Largest Supplier of Electrical and Electronic Components

Click to view similar products for [Terminals](#) category:

Click to view products by [TE Connectivity](#) manufacturer:

Other Similar products are found below :

[00-054007-01074-6](#) [00-054007-70206-1](#) [00-054007-70210-8](#) [00-054007-70217-7](#) [00-054007-70226-9](#) [00-054007-70228-3](#) [00-054007-70248-1](#) [00-054007-70256-6](#) [00-054007-70301-3](#) [00-054007-70316-7](#) [0-0320562-0](#) [00-054007-49560-4](#) [00-054007-70209-2](#) [00-054007-70225-2](#) [00-054007-70227-6](#) [00-054007-70231-3](#) [00-054007-70241-2](#) [00-054007-70242-9](#) [00-054007-70244-3](#) [00-054007-70246-7](#) [00-054007-70263-4](#) [00-054007-70288-7](#) [00-054007-70290-0](#) [00-054007-70300-6](#) [00-054007-70304-4](#) [01-2065-1-0216](#) [01-2900-1-04412](#) [00581P0075](#) [600TS-10](#) [60205-1](#) [604200-1](#) [605601-1](#) [60598-1-CUT-TAPE](#) [61314-6-C](#) [61810-3](#) [61-S](#) [61-SN](#) [626-0194](#) [62-NBM-A](#) [62-SN](#) [62-SP](#) [63-S](#) [640179-1](#) [M55155/059I03](#) [M55155/079C01](#) [M55155/099H02](#) [M55155/109H01](#) [M55155/109H02](#) [M55155/12XH05](#) [M55155/16XH02](#)