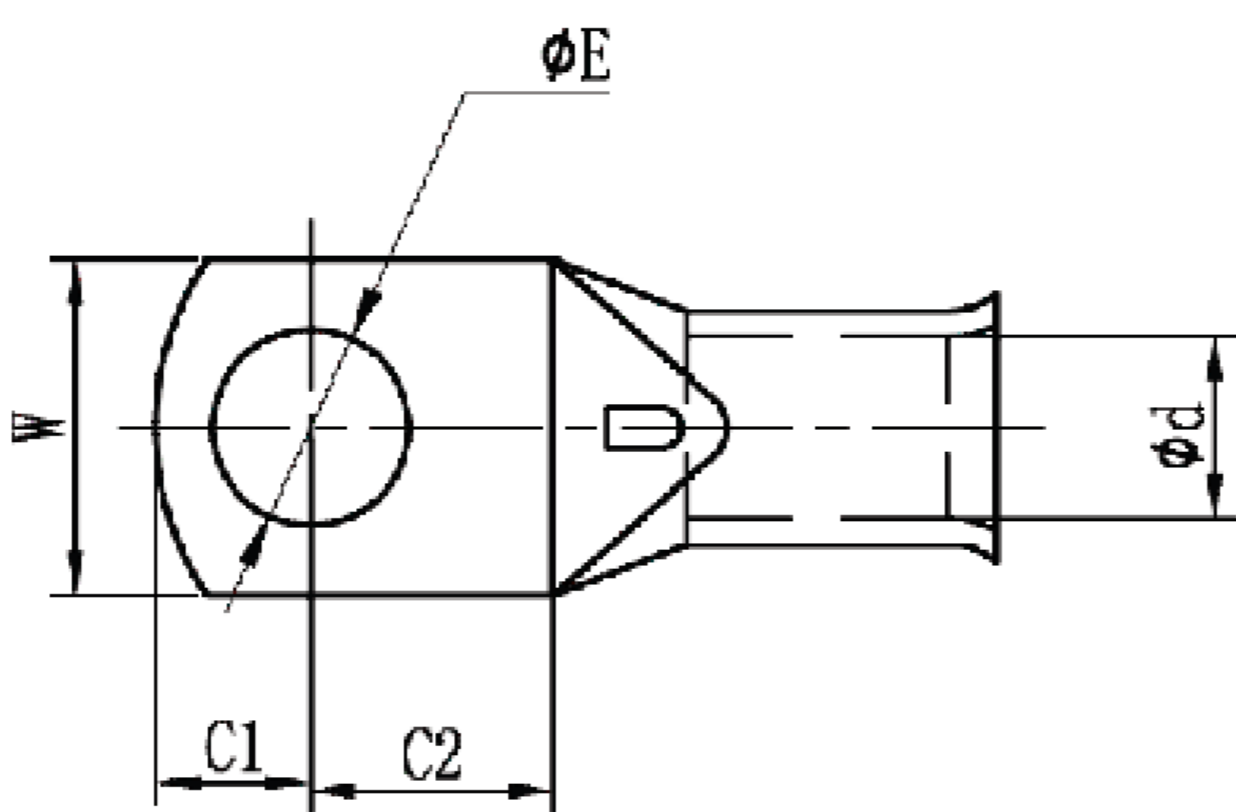
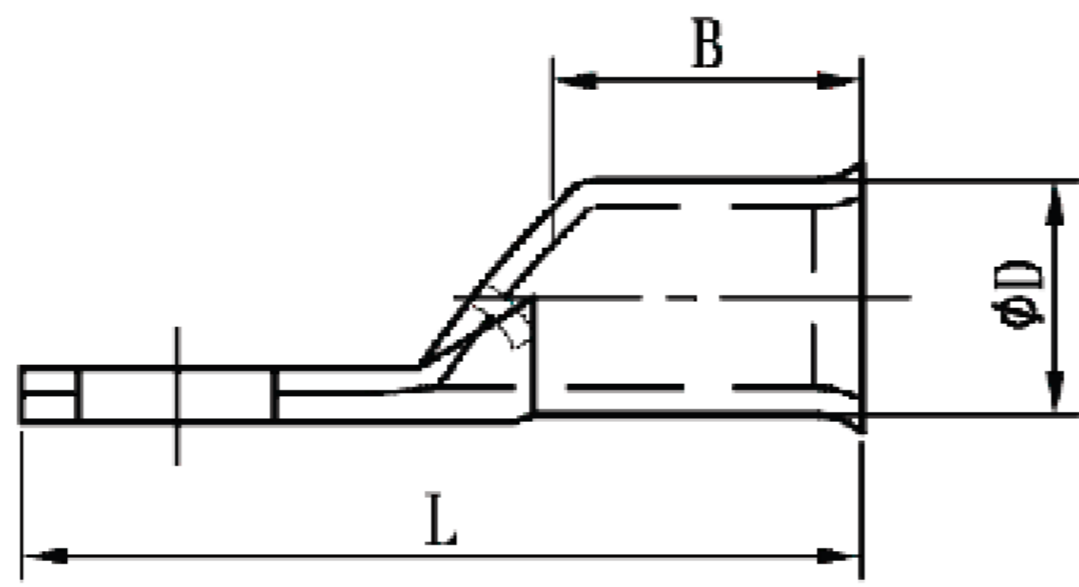


THIS DRAWING IS UNPUBLISHED. RELEASED FOR PUBLICATION  
 © COPYRIGHT - By - ALL RIGHTS RESERVED.

LOC		DIST		REVISIONS			
P	LTR	DESCRIPTION		DATE	DWN	APVD	
	A1	ECR-14-001426		30JAN2014	KR	SH	



'A' HOLE DIA	ØE±0.2	ØD <sub>0</sub> <sup>+0.2</sup>	Ød±0.3	W±0.8	C1±0.8	C2±0.8	B±0.8	L±0.8
M5	5.3	15.0	11.5	21.8	8.3	9.8	18.0	48.0
M6	6.4	15.0	11.5	21.8	8.3	9.8	18.0	48.0
M8	8.4	15.0	11.5	21.8	8.3	9.8	18.0	48.0
M10	10.5	15.0	11.5	21.8	10.0	12.0	18.0	52.0
M12	13.0	15.0	11.5	21.8	10.0	12.0	18.0	52.0
M14	15.0	15.0	11.5	21.8	16.5	16.5	18.0	63.0
M16	17.0	15.0	11.5	21.8	16.5	16.5	18.0	63.0

'A' STUD HOLE DIM	DESCRIPTION	PART NO.
Ø 17.0 ± 0.2	AMP_METRIC_70.0_M16	2178696-7
Ø 15.0 ± 0.2	AMP_METRIC_70.0_M14	2178696-6
Ø 13.0 ± 0.2	AMP_METRIC_70.0_M12	2178696-5
Ø 10.5 ± 0.2	AMP_METRIC_70.0_M10	2178696-4
Ø 8.4 ± 0.2	AMP_METRIC_70.0_M8	2178696-3
Ø 6.4 ± 0.2	AMP_METRIC_70.0_M6	2178696-2
Ø 5.3 ± 0.2	AMP_METRIC_70.0_M5	2178696-1

THIS DRAWING IS A CONTROLLED DOCUMENT.

DWN PRAKASH KANNIAH 02MAY2013	 TE Connectivity AMP-METRIC-70	
CHK PAUL CROFTS 02MAY2013		
APVD STEPHEN HEADER 02MAY2013		
PRODUCT SPEC		
DIMENSIONS: INCHES	TOLERANCES UNLESS OTHERWISE SPECIFIED:	NAME
0 PLC ± - 1 PLC ± 1 2 PLC ± .02 3 PLC ± .005 4 PLC ± - ANGLES ± -	MATERIAL - FINISH -	APPLICATION SPEC - WEIGHT - CUSTOMER DRAWING
SIZE A2 CAGE CODE 00779 DRAWING NO. C=2178696		RESTRICTED TO
SCALE 4:1		SHEET 1 of 1
		REV A1

2178696

## X-ON Electronics

Largest Supplier of Electrical and Electronic Components

*Click to view similar products for [Terminals](#) category:*

*Click to view products by [TE Connectivity](#) manufacturer:*

Other Similar products are found below :

[00-054007-01074-6](#) [00-054007-70206-1](#) [00-054007-70210-8](#) [00-054007-70217-7](#) [00-054007-70226-9](#) [00-054007-70228-3](#) [00-054007-70248-1](#) [00-054007-70256-6](#) [00-054007-70301-3](#) [00-054007-70316-7](#) [00-054007-49560-4](#) [00-054007-70209-2](#) [00-054007-70225-2](#) [00-054007-70227-6](#) [00-054007-70231-3](#) [00-054007-70241-2](#) [00-054007-70242-9](#) [00-054007-70244-3](#) [00-054007-70246-7](#) [00-054007-70263-4](#) [00-054007-70288-7](#) [00-054007-70290-0](#) [00-054007-70300-6](#) [00-054007-70304-4](#) [01-2065-1-0216](#) [01-2900-1-04412](#) [00581P0075](#) [600TS-10](#) [60205-1](#) [604200-1](#) [605601-1](#) [60598-1-CUT-TAPE](#) [61314-6-C](#) [61810-3](#) [61-S](#) [61-SN](#) [626-0194](#) [62-NBM-A](#) [62-SN](#) [62-SP](#) [63-S](#) [640179-1](#) [M55155/059I03](#) [M55155/079C01](#) [M55155/099H02](#) [M55155/109H01](#) [M55155/109H02](#) [M55155/12XH05](#) [M55155/16XH02](#) [M55155/29-5S](#)