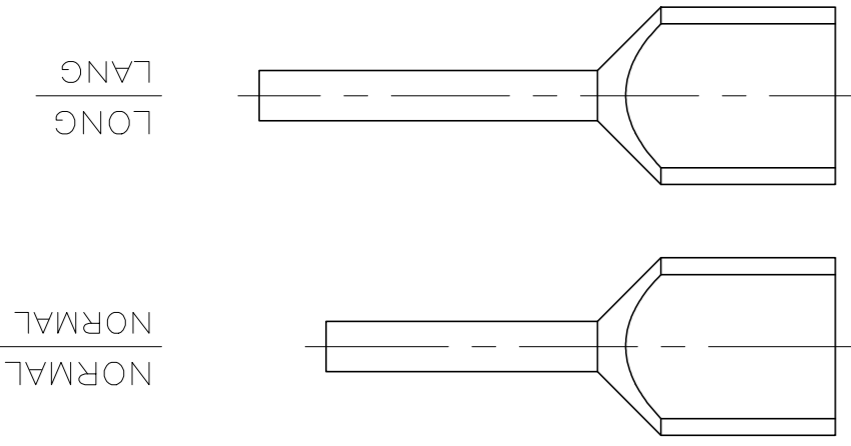
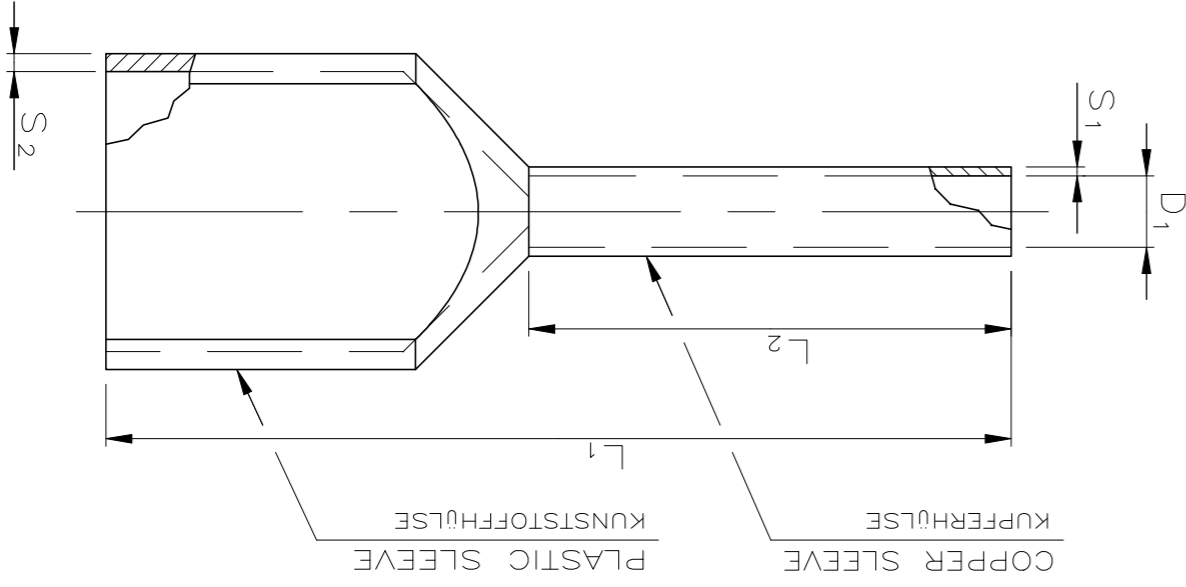
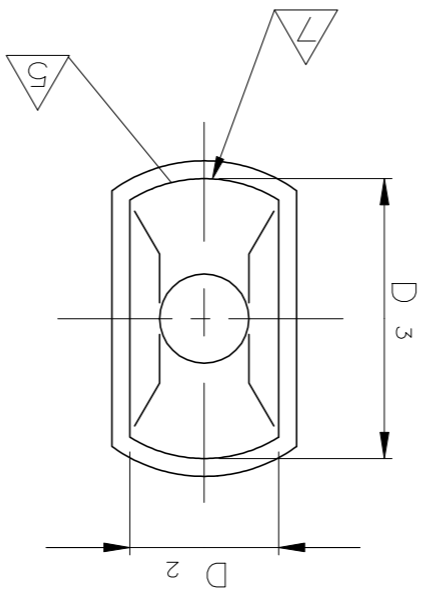


REVISIONS		ÄNDERUNGEN		DATE	DWN	APVD
P	LTR	DESCRIPTION	BESCHREIBUNG			
PROJECT NO. : E93-52531		B6	PART NUMBER STATUS UPDATED	24FEB2014	KJK	JK
B7	OBSOLETE PN 966144-5			21FEB2018	SH	GN
B8	ECC-19-003069			01OCT2019	RS	DR

ORDER NO.	BESTELL-NR.	mm ²	AWG	GROSS-SECTION		STRIP LENGTH	ABISOLIER-LÄNGE	TYPE AUSFÜHRUNG	COLOUR FARBE	L1	L2	D1	S1	S2	D2	D3	PACKING UNIT	VERPÄCKUNGS-EINHEIT	COLOUR TYPE	FARB-REIHE	PIECES PER BAG	STÜCK PRO BEUTEL	
				QUERSCHNITT	QUERSCHNITT																		
966 144-1	2x0.50	2x20	1 1	NORMAL	WHITE	15.0 ±1.5	8.00 ±0.6	1.40 ±0.14	0.15 ±0.05	0.25 ±0.10	2.50 ±0.2	4.70 ±0.4	1/DIN	500	500	500	500	500	1/DIN	WEISS	SCHWARZ	1	1
966 144-2	2x0.75	2x18	1 1	NORMAL	GREY	15.0 ±1.5	8.00 ±0.6	1.70 ±0.25	0.15 ±0.05	0.25 ±0.10	2.80 ±0.2	5.00 ±0.4	DIN	500	500	500	500	500	DIN	GRAU	ROT	1	1
966 144-3	2x0.75	2x18	1 3	NORMAL	LONG	17.0 ±1.5	10.0 ±0.6	1.70 ±0.25	0.15 ±0.05	0.25 ±0.10	2.80 ±0.2	5.00 ±0.4	DIN	500	500	500	500	500	DIN	GRAU	ROT	1	1
966 144-4	2x1.00	2x17	1 1	NORMAL	RED	15.0 ±1.5	8.00 ±0.6	1.95 ±0.25	0.15 ±0.05	0.30 ±0.10	3.40 ±0.2	5.40 ±0.4	1/DIN	500	500	500	500	500	1/DIN	ROT	SCHWARZ	1	1
966 144-6	2x1.50	2x16	1 2	NORMAL	BLACK	16.0 ±1.5	8.00 ±0.6	2.20 ±0.25	0.15 ±0.05	0.30 ±0.10	3.60 ±0.2	6.60 ±0.4	1/DIN	500	500	500	500	500	1/DIN	SCHWARZ	LANG	1	1
966 144-7	2x1.50	2x16	1 6	NORMAL	LONG	20.0 ±1.5	12.0 ±0.6	2.20 ±0.25	0.15 ±0.05	0.30 ±0.10	3.60 ±0.2	6.60 ±0.4	1/DIN	500	500	500	500	500	1/DIN	LANG	LANG	1	1
966 144-8	2x2.50	2x14	1 4	NORMAL	BLUE	18.5 ±1.5	10.0 ±0.6	2.80 ±0.25	0.20 ±0.05	0.30 ±0.10	4.20 ±0.2	7.80 ±0.4	2/DIN	250	250	250	250	250	2/DIN	BLAU	LANG	1	1
966 144-9	2x2.50	2x14	1 7	NORMAL	LONG	21.5 ±2.0	13.0 ±0.6	2.80 ±0.25	0.20 ±0.05	0.30 ±0.10	4.20 ±0.2	7.80 ±0.4	2/DIN	250	250	250	250	250	2/DIN	BLAU	LANG	1	1
1-966 144-0	2x4.00	2x11	1 7	NORMAL	GREY	23.0 ±2.0	12.0 ±0.6	3.70 ±0.30	0.20 ±0.05	0.40 ±0.15	4.90 ±0.4	8.80 ±0.4	2/DIN	100	100	100	100	100	2/DIN	GRAU	LANG	1	1
1-966 144-1	2x6.00	2x10	1 9	NORMAL	YELLOW	26.0 ±2.0	14.0 ±0.6	4.80 ±0.30	0.20 ±0.05	0.40 ±0.15	6.90 ±0.4	10.0 ±0.4	DIN	100	100	100	100	100	DIN	GELB	LANG	1	1
1-966 144-7	2x0.75	2x18	1 3	LONG	BLUE	17.0 ±1.5	10.0 ±0.6	1.70 ±0.25	0.15 ±0.05	0.25 ±0.10	2.80 ±0.2	5.00 ±0.4	1	500	500	500	500	1	BLAU	LANG	1	1	
1-966 144-2	2x1.50	2x16	1 6	LONG	RED	20.0 ±1.5	12.0 ±0.6	2.20 ±0.25	0.15 ±0.05	0.30 ±0.10	3.60 ±0.2	6.60 ±0.4	2	500	500	500	500	2	ROT	LANG	2	2	
2-966 144-2	2x1.50	2x16	1 6	LONG	RED	20.0 ±1.5	12.0 ±0.6	2.20 ±0.25	0.15 ±0.05	0.30 ±0.10	3.60 ±0.2	6.60 ±0.4	2	500	500	500	500	2	ROT	LANG	2	2	
2-966 144-5	2x4.00	2x11	1 7	NORMAL	ORANGE	23.0 ±2.0	12.0 ±0.6	3.70 ±0.30	0.20 ±0.05	0.40 ±0.15	4.90 ±0.4	8.80 ±0.4	1	100	100	100	100	1	ORANGE	LANG	1	1	
2-966 144-6	2x6.00	2x10	1 9	NORMAL	GREEN	26.0 ±2.0	14.0 ±0.6	4.80 ±0.30	0.20 ±0.05	0.40 ±0.15	6.90 ±0.4	10.0 ±0.4	1	100	100	100	100	1	GREEN	LANG	1	1	



- 1 THE AWG CROSS-SECTION CAN DIFFER SLIGHTLY TO THE DIN-STANDARD CROSS-SECTION VALUES.
- 2 RECOMMENDED STRIP LENGTH
- 3 TUBULAR END-SLEEVES PACKED INTO PLASTIC BAG
- 4 COLOUR TYPE 1: COLOURS PER TELEMÉCANIQUE STANDARD
- 5 COLOUR TYPE 2: COLOURS PER WEIDMÜLLER STANDARD
- 6 MAX.INSULATION DIA. OF WIRE: 0.5xD₃ MIN.-0.1
- 7 USE HAND TOOL 539660-1

- 1 DER AWG-QUERSCHNITT KANN VON DEN DIN-NORM QUERSCHNITTSWERTEN GERINGFÜGIG ABWEICHEN.
- 2 EMPFOHLENE ABISOLIERLÄNGE
- 3 ADERENDHÜLSEN IN PLASTIKBEUTEL VERPÄCKT
- 4 FARBREIHE 1: FARBEN NACH TELEMÉCANIQUE STANDARD
- 5 FARBREIHE 2: FARBEN NACH WEIDMÜLLER STANDARD
- 6 FARBREIHE DIN: FARBEN NACH DIN 46228 TEIL 4
- 7 MAX.INSULATIONS-Ø DER LEITUNG: 0.5xD₃ MIN.-0.1
- 8 BENUTZEN SIE HANDWERKZEUG 539660-1

THIS DRAWING IS A CONTROLLED DOCUMENT. DIESE ZEICHNUNG IST EIN KONTROLLIERTES DOKUMENT.		DWN R.SCHMIDT		22-FEB-93		CHK W.BÖCK		02-MAR-93		APVD G.FELDMAYER		29-NOV-00		NAME		DOUBLE CONDUCTOR TUBULAR END-SLEEVE WITH PLASTIC SLEEVE		RESTRICTED TO NUR FÜR		REV B8	
DIMENSIONS: MASSENMESSEN: mm		0 Plc ± 1 Plc ± 2 Plc ± 3 Plc ± 4 Plc ±		FINISH / OBERFL. FARBEN: SIEHE TABELLE		WEIGHT GEWICHT		SIZE GRÖÖÖE		CASE CODE ZEICHNUNGS-NR		DRAWING NO 966144		SCALE MASSSTAB 1:1		SHEET BLATT 1		OF VON 1		REV B8	
TOLERANCES UNLESS OTHERWISE SPECIFIED:		ANGLES / WINKEL ±		APPLICATIO SPEC VERÄBLTUNGSPEZ		PRODUCT SPEC PRODUKTSPEZ		G.FELDMAYER		CUSTOMER DRAWING / KUNDENZEICHNUNG		MATERIAL PP/E-Cu		CUSTOMER DRAWING / KUNDENZEICHNUNG		MATERIAL PP/E-Cu		CUSTOMER DRAWING / KUNDENZEICHNUNG		MATERIAL PP/E-Cu	

X-ON Electronics

Largest Supplier of Electrical and Electronic Components

Click to view similar products for te connectivity manufacturer:

Other Similar products are found below :

[570416-000](#) [CLTEQ-M81CE-SSRELAY-4-20V](#) [D38999/24FJ4AN](#) [358838-000](#) [4-1195131-0](#) [650069-000](#) [SMD100-2](#) [CB-1022B-78](#)
[RM707012](#) [RP410012](#) [MMS42](#) [1-640426-8](#) [2EDL4CM](#) [DTS20W19-11PD-3028-LC](#) [RM202615](#) [NC6-P104-06](#) [MSPS103B](#) [DTS26F21-41AE](#) [DTS26F21-41PE-LC](#) [DTS26F21-11SE-3028-LC](#) [1932144-1](#) [293545-4](#) [LVR125S](#) [MS27466T25F4PB](#) [CKB-38-78010](#)
[1206SFF150F/63-2](#) [D38999/20JB35HA](#) [D38999/24WJ20PA](#) [1754138-1](#) [TE1500A2R2J](#) [DTS24F25-29PC-3028-LC](#) [D38999/24WG11HA](#)
[D38999/24WG11HN](#) [MS27467T21F11H](#) [DJT16E21-11HA](#) [1206SFH150F/24-2](#) [DTS24F19-11SC-3028-LC](#) [DTS24F21-41HN-LC](#)
[DTS24F21-41AN](#) [DTS24F21-41PN-LC](#) [MS27467T21F35J](#) [MS27467T21F11J](#) [MS27467T21F16H-LC](#) [MS27467T21F35H](#)
[MS27467T21F41H-LC](#) [DJT16E21-11PA-LC](#) [DJT16E21-11HA-LC](#) [DJT16E21-11AA](#) [MS27467T21B11JA](#) [DJT16E21-11JA](#)