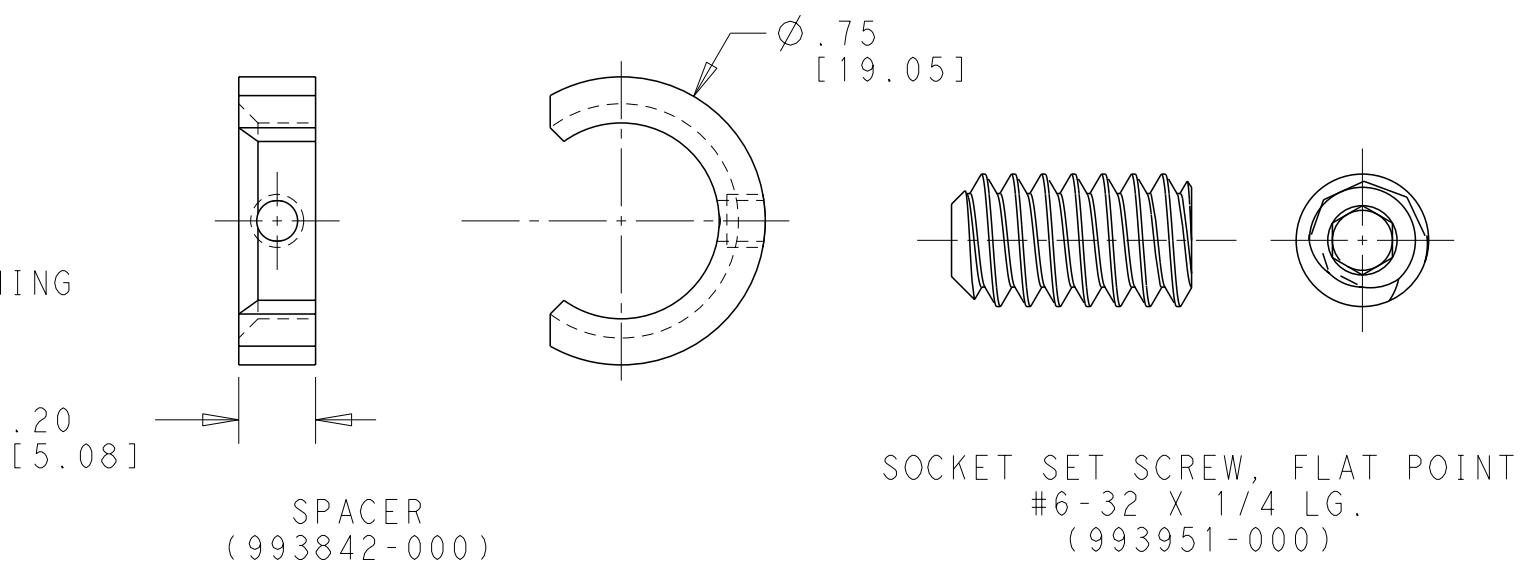
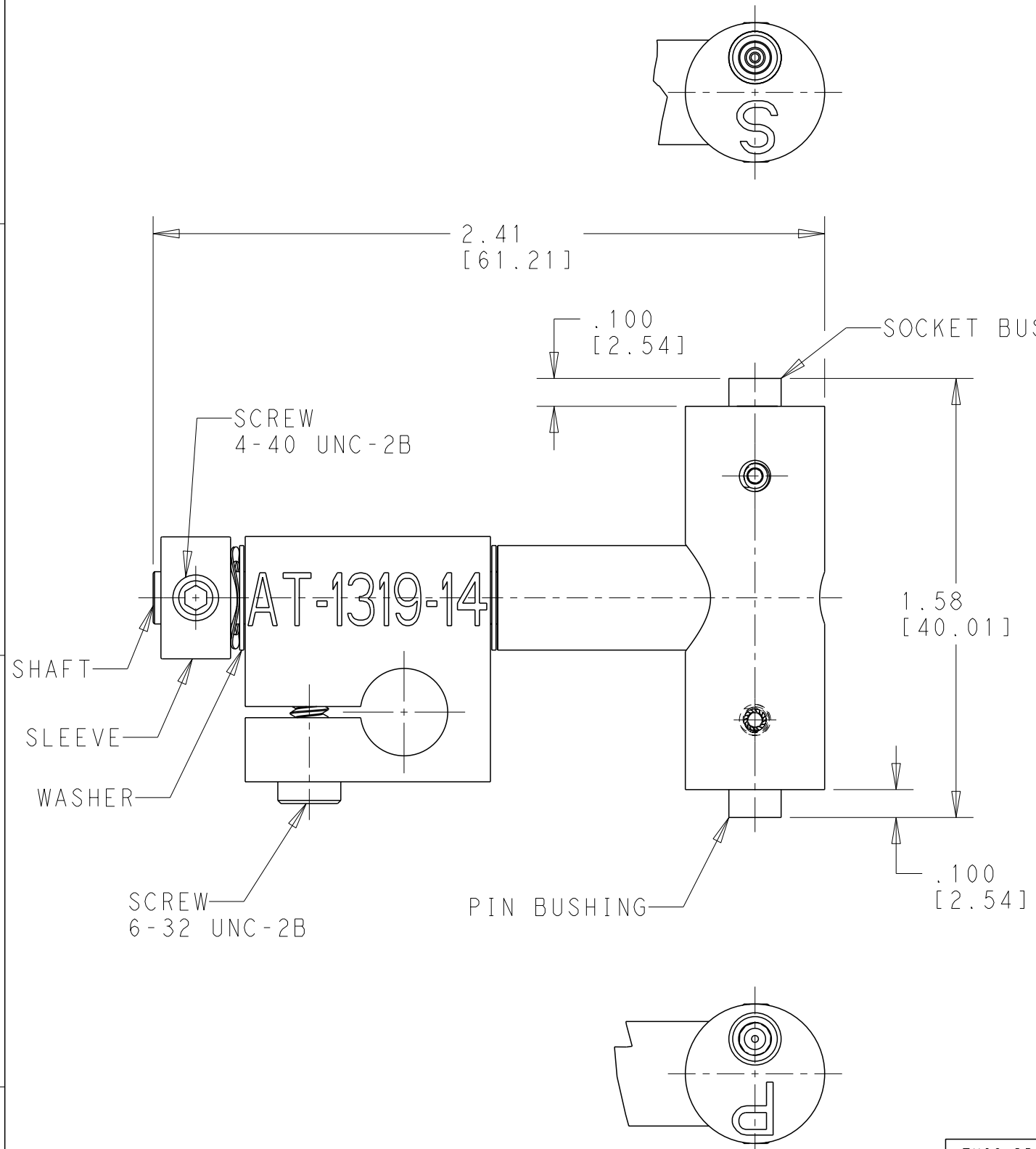


REVISIONS

P	LTR	DESCRIPTION	DATE	DWN	APVD
	A	INITIAL RELEASE PER DCR# R050445	02DEC2005	-	MH
	B	REVISED PER ECO-16-001928	15FEB2016	KK	MP



- NOTES;
- FOR TERMINATION INSTRUCTION AND APPLICATIONS SEE ENGINEERING STANDARD (ES-61199).
 - MATERIAL: ADAPTER HOUSING: ALUMINIUM 6061-T6 PER ASTM B221, FINSH: CLEAR ANODIZED.
SHAFT, SLEEVE AND BUSH HOUSING: 303 STAINLESS STEEL PER ASTM A484.
BUSHING INNER STOP: BRASS 360 1/2 HARD PER ASTM B16/16M.
WASHER: 18-8 STAINLESS STEEL.
SCREW: 4-40 UNC-2B SOCKET SETSCREW, STAINLESS STEEL
6-32 UNC-2B UNC-2B SOCKET HEAD SCREW, STAINLESS STEEL.

748 SOLDER TACT ADAPTER ASSEMBLY
(993877-000)

748 SOLDER TACT ADAPTOR	993877-000
DESCRIPTION	PART NO.

THIS DRAWING IS A CONTROLLED DOCUMENT.		DWN KIRAN K 15FEB2016	TE Connectivity													
DIMENSIONS: INCHES [MM]		CHK N. NAGAR 15FEB2016														
TOLERANCES UNLESS OTHERWISE SPECIFIED:		APVD M. POPE 15FEB2016	NAME 748 SOLDER TACT ADAPTOR													
<table border="0"> <tr> <td>0 PLC</td> <td>±-</td> </tr> <tr> <td>1 PLC</td> <td>±-</td> </tr> <tr> <td>2 PLC</td> <td>±.01 [.25 mm]</td> </tr> <tr> <td>3 PLC</td> <td>±.005 [.13 mm]</td> </tr> <tr> <td>4 PLC</td> <td>±-</td> </tr> <tr> <td>ANGLES</td> <td>±-</td> </tr> </table>		0 PLC	±-	1 PLC	±-	2 PLC	±.01 [.25 mm]	3 PLC	±.005 [.13 mm]	4 PLC	±-	ANGLES	±-	PRODUCT SPEC	-	
0 PLC	±-															
1 PLC	±-															
2 PLC	±.01 [.25 mm]															
3 PLC	±.005 [.13 mm]															
4 PLC	±-															
ANGLES	±-															
MATERIAL		APPLICATION SPEC	-													
FINISH		WEIGHT	-													
-		CUSTOMER DRAWING	SCALE NTS	SHEET 1 OF 1												
-			DRAWING NO. G-AT-1319-14	RESTRICTED TO -												
			REV B													

X-ON Electronics

Largest Supplier of Electrical and Electronic Components

Click to view similar products for [Crimpers / Crimping Tools](#) category:

Click to view products by [TE Connectivity](#) manufacturer:

Other Similar products are found below :

[010-0096](#) [M225201-06](#) [M225202-37](#) [6-1579015-5](#) [CT150-2-D02](#) [622-6441LF](#) [M322](#) [6-304052-1](#) [63456-0054](#) [63484-3701](#) [63800-8355](#)
[63819-1875](#) [63819-2875](#) [63819-4475](#) [63823-3475](#) [63827-5375](#) [64001-0975](#) [64001-4175](#) [64005-0175](#) [662903-2](#) [690602-6](#) [7-1579001-9](#) [7-](#)
[23471-1](#) [762637-1](#) [808714-1](#) [811242-5](#) [999-50-020083](#) [1-21002-3](#) [1-21002-7](#) [12085270](#) [1-21002-6](#) [1-21113-6](#) [1-22548-4](#) [125442-1](#)
[DCE.91.073.BVC](#) [DCE.91.090.3MVM](#) [DCE.91.130.5MVU](#) [DCE.91.202.BVCM](#) [1338300-1](#) [1-354003-0](#) [1338301-1](#) [DF62/RE-MD](#) [142321](#)
[1456088-1](#) [1490794-1](#) [1-45804-6](#) [1490357-2](#) [1490357-3](#) [AX100749](#) [1-59619-7](#)