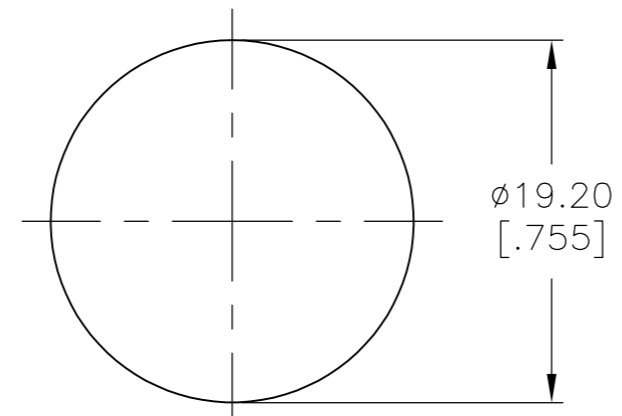
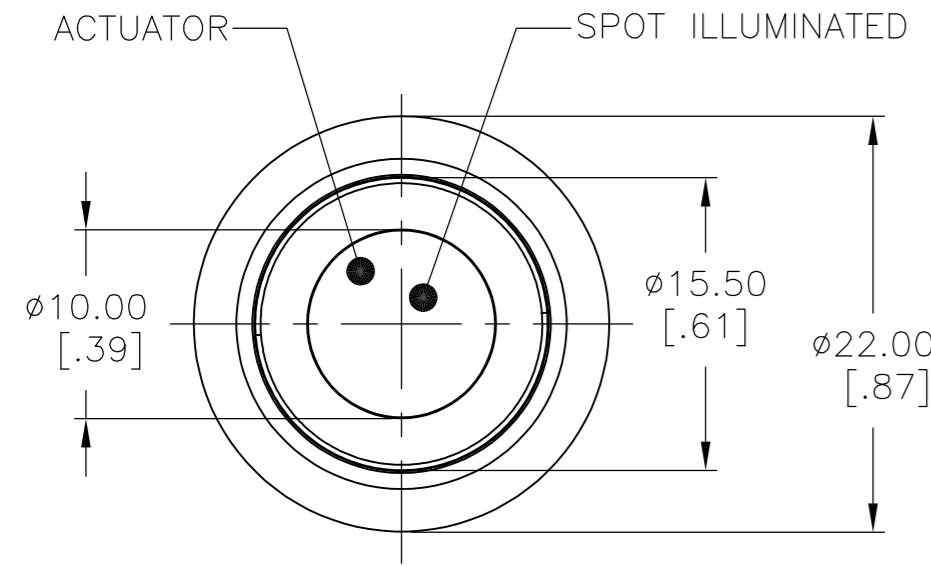


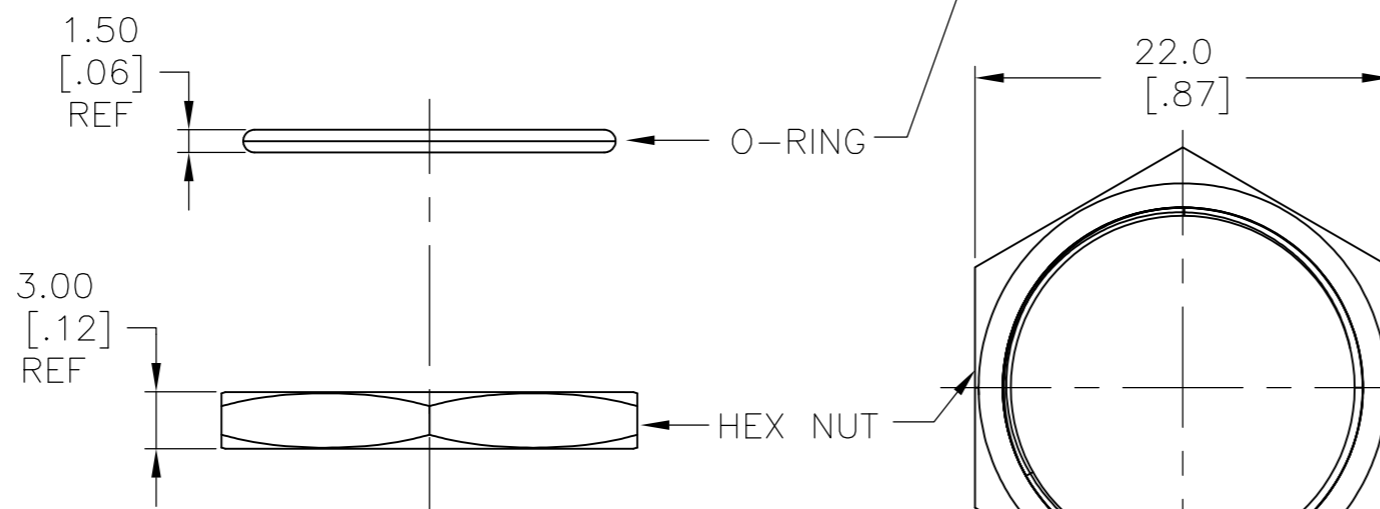
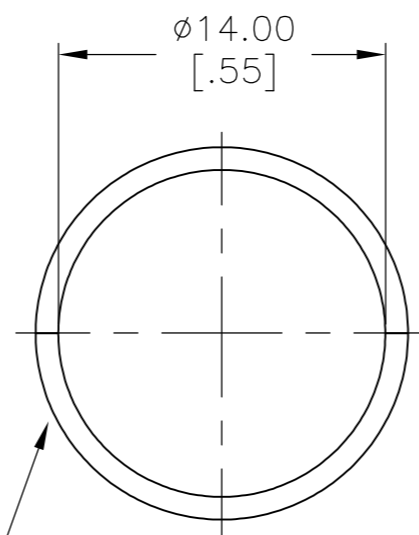
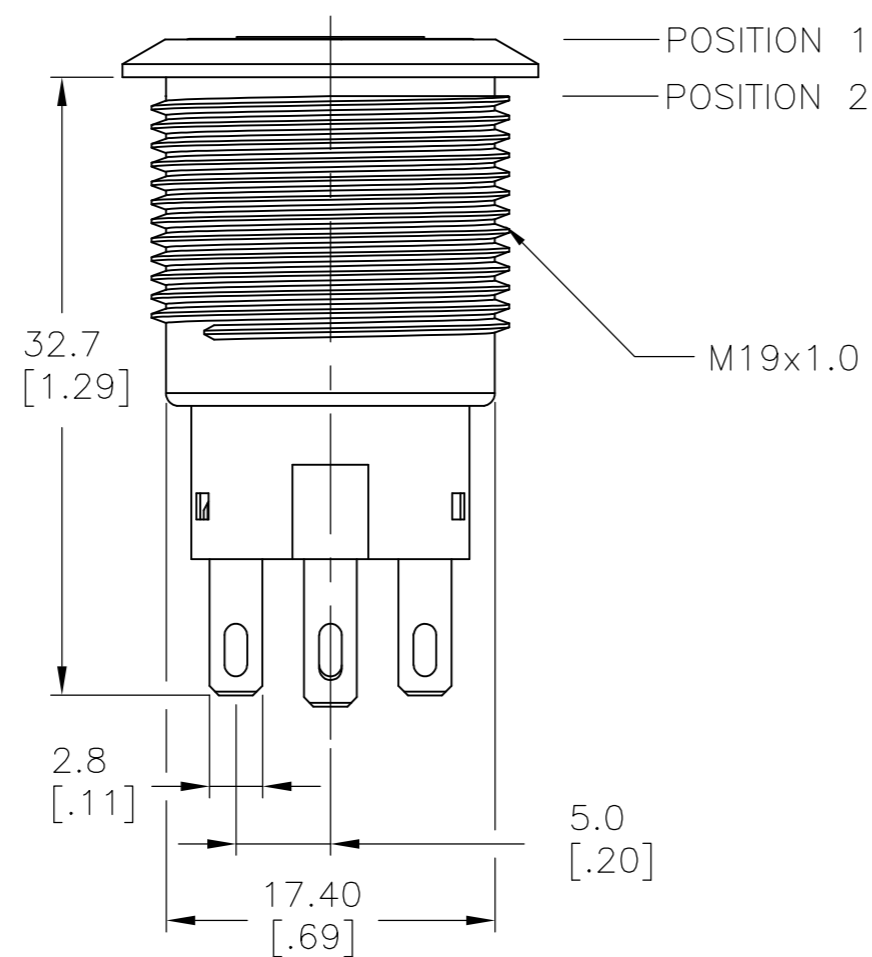
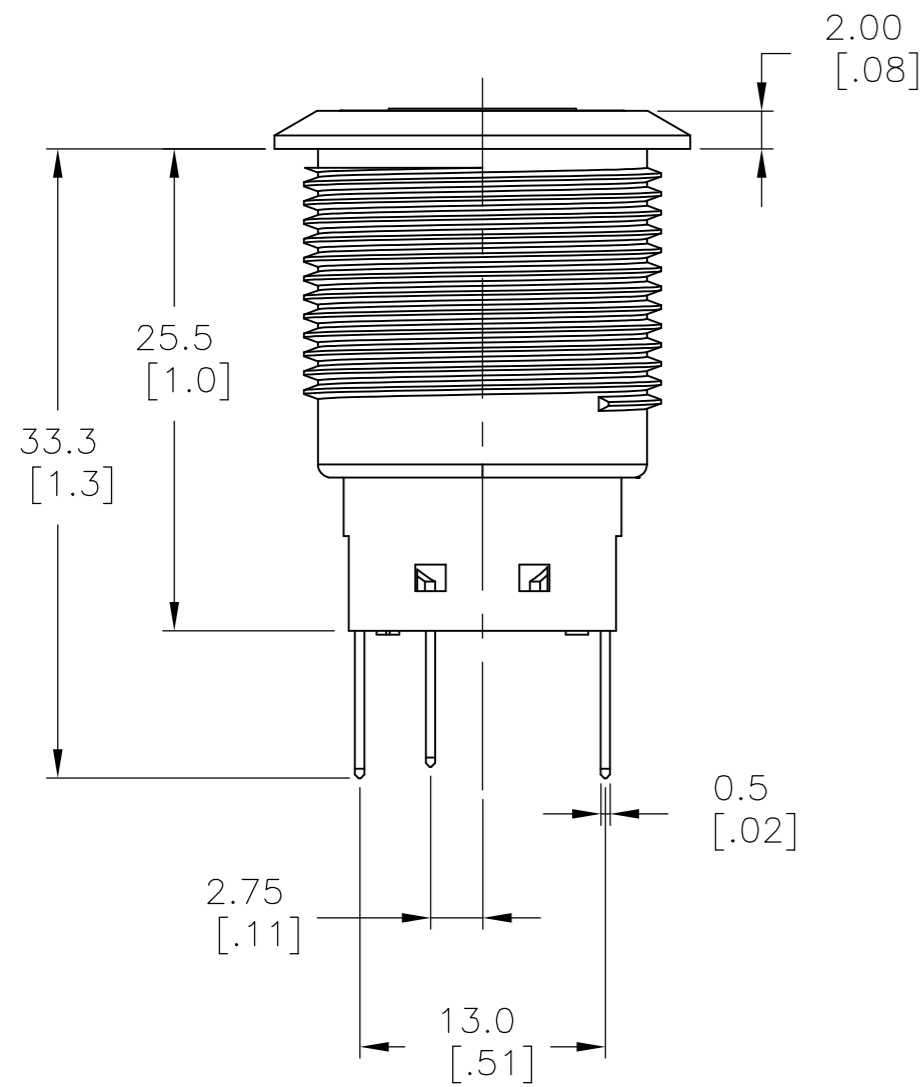
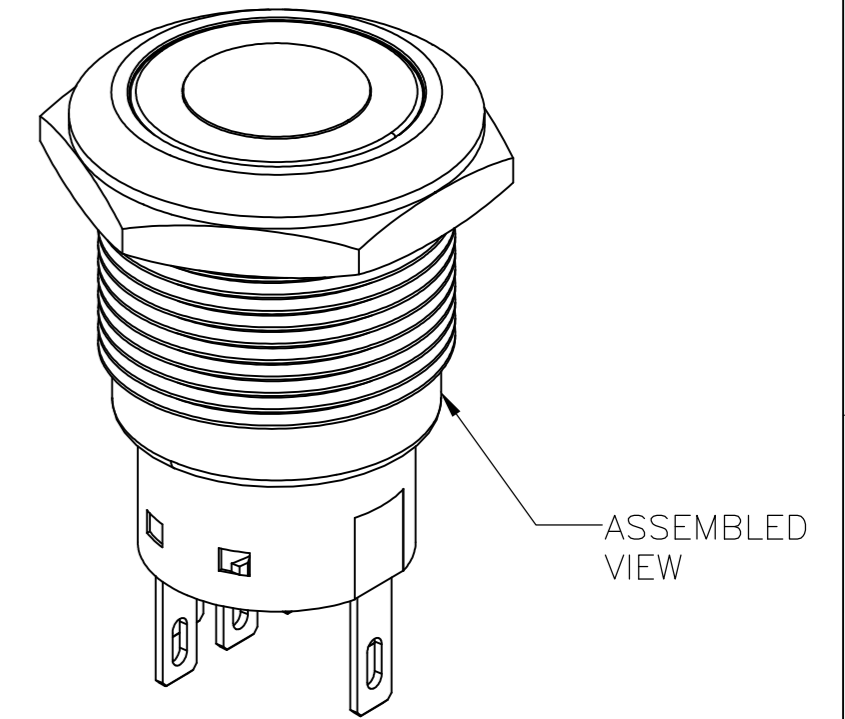
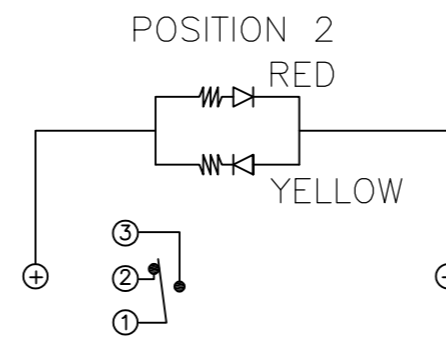
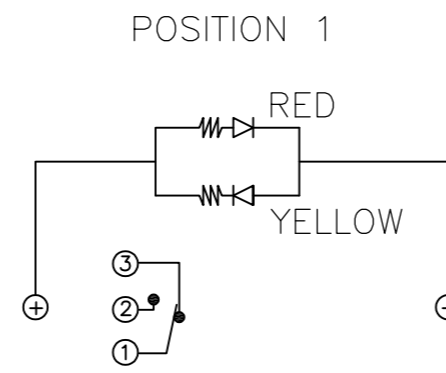
THIS DRAWING IS UNPUBLISHED. RELEASED FOR PUBLICATION
 © COPYRIGHT - TE Connectivity ALL RIGHTS RESERVED.

REVISIONS					
P	LTR	DESCRIPTION	DATE	DWN	APVD
A		INITIAL RELEASE	15FEB2017	SK	SS

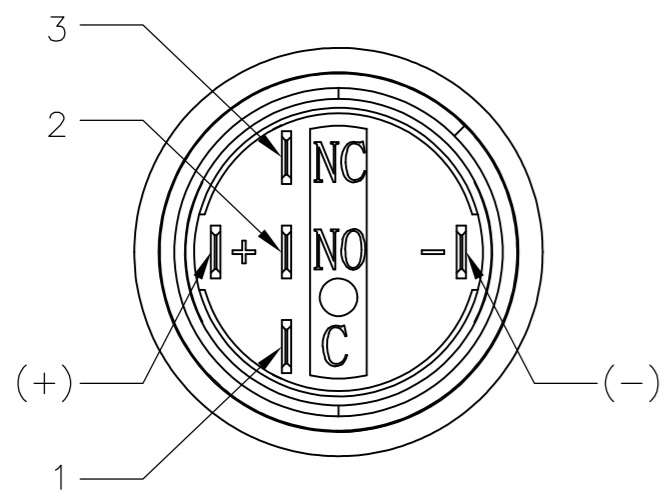
SINGLE POLE SWITCH WITH DUAL COLOR LED'S



PANEL CUTOUT
 MAX.PANEL THICKNESS: 10.00[.394]



EXPLODED VIEW



SPECIFICATION:
 CONTACT RATING: SILVER; 3A @ 250VAC RESISTIVE
 GOLD; 0.4A @ 20VDC OR PEAK AC
 INSULATION RESISTANCE: 1,000MΩ MIN AT 500VDC
 DIELECTRIC STRENGTH: 2,000V RMS @ SEA LEVEL
 CONTACT RESISTANCE: 50mΩ MAX @ 1A 12VDC (INITIAL VALUE), SOLDER TERMINALS
 100mΩ MAX @ 1A 12VDC (INITIAL VALUES), FLYING LEADS.
 ELECTRICAL LIFE CYCLES: 50,000 MAKE AND BREAK CYCLES AT FULL LOAD.
 ACTUATION FORCE: SP: 2.5±1 NEWTON. DP: 3.5±1 NEWTON
 ACTUATION TRAVEL: 3.2MM
 SEALED PER IP67, IK10 (STAINLESS)
 OPERATING TEMPERATURE: -20°C TO +55°C
 MECHANICAL LIFECYCLES: MOMENTARY; 1,000,000 CYCLES
 LOCKING; 500,000 CYCLES
 HARDWARE TORQUE: 5-14 N-m.

MATERIALS

BUSHING: STAINLESS STEEL,
 BASE: PBT (UL 94-V0), PC (UL 94-V2),
 ACTUATOR: STAINLESS STEEL, PC
 SEALING: O-RING (SILICONE),
 TERMINAL/CONTACT: COPPER BASE, SILVER/GOLD PLATED,
 HEX NUT: BRASS BASE, NICKEL PLATED,
 WIRE:UL3385.

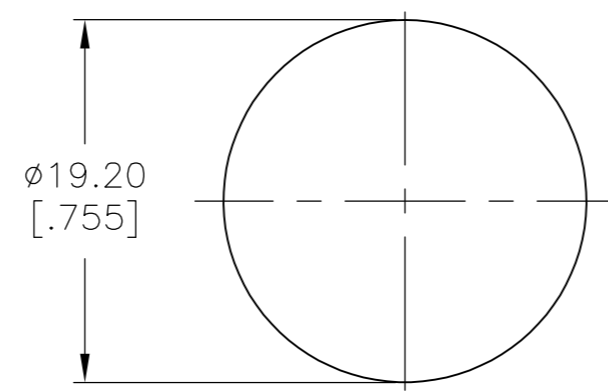
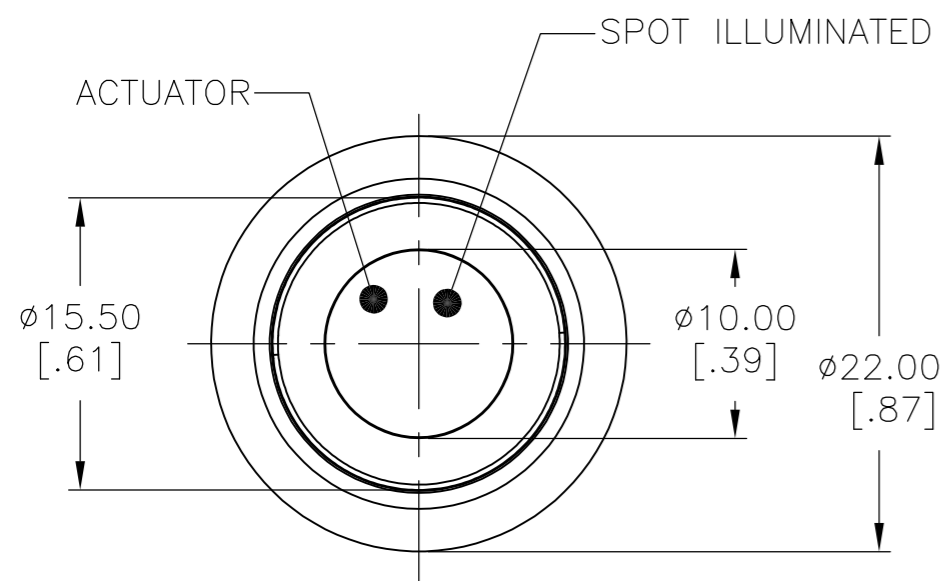
- ALL MATERIAL AND FINISHES SHALL COMPLY WITH EU DIRECTIVE 2002/95/EC OF 27JAN2003(ROHS).

THIS DRAWING IS A CONTROLLED DOCUMENT.		DWN SHIVAKUMAR S S 13MAR2017			NAME	
DIMENSIONS: mm [INCHES]		CHK SANJAY SHINDIKAR 14MAR2017			ANTI-VANDAL SWITCH 19mm DUAL COLOR LED, FLYING LEADS WITH SPOT LED	
TOLERANCES UNLESS OTHERWISE SPECIFIED:		APVD SANJAY SHINDIKAR 14MAR2017	DRAWING NO		SCALE	
0 PLC ± -	1 PLC ± 0.4[.016]	PRODUCT SPEC	A2 00779 C=2316542		1:1	
2 PLC ± 0.25[.010]	3 PLC ± -	APPLICATION SPEC	SHEET		1 of 5	
4 PLC ± -	ANGLES ± 2°	WEIGHT	REV		A	
MATERIAL	FINISH	CUSTOMER DRAWING				

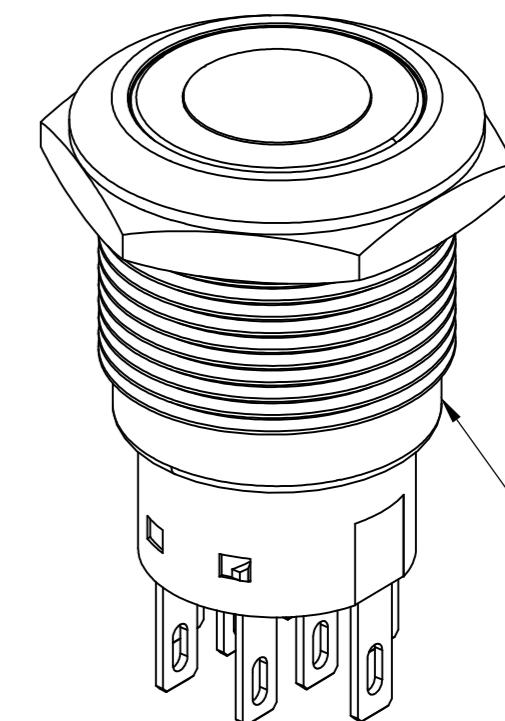
THIS DRAWING IS UNPUBLISHED. RELEASED FOR PUBLICATION
 © COPYRIGHT - TE Connectivity ALL RIGHTS RESERVED.

REVISIONS					
P	LTR	DESCRIPTION	DATE	DWN	APVD
-	-	SEE SHEET 1	-	-	-

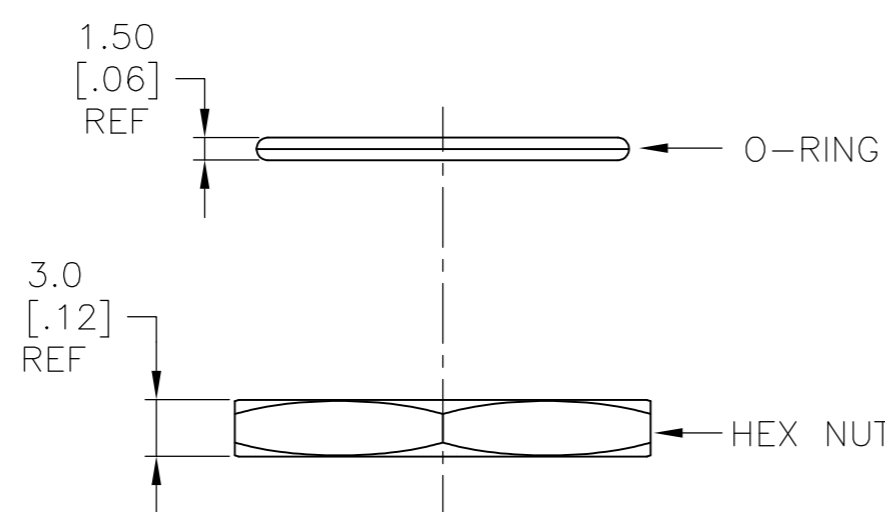
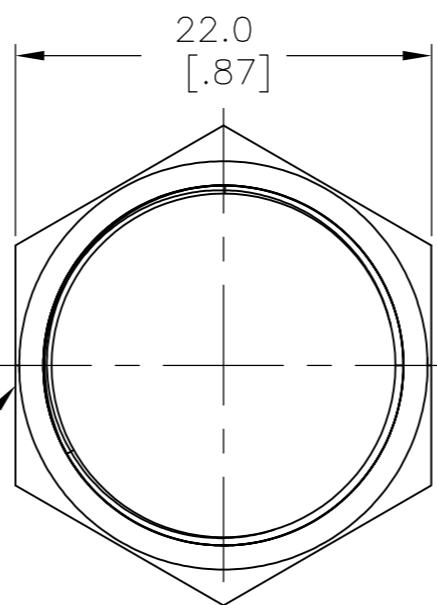
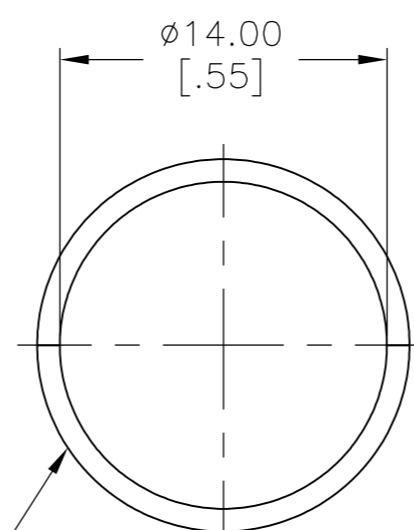
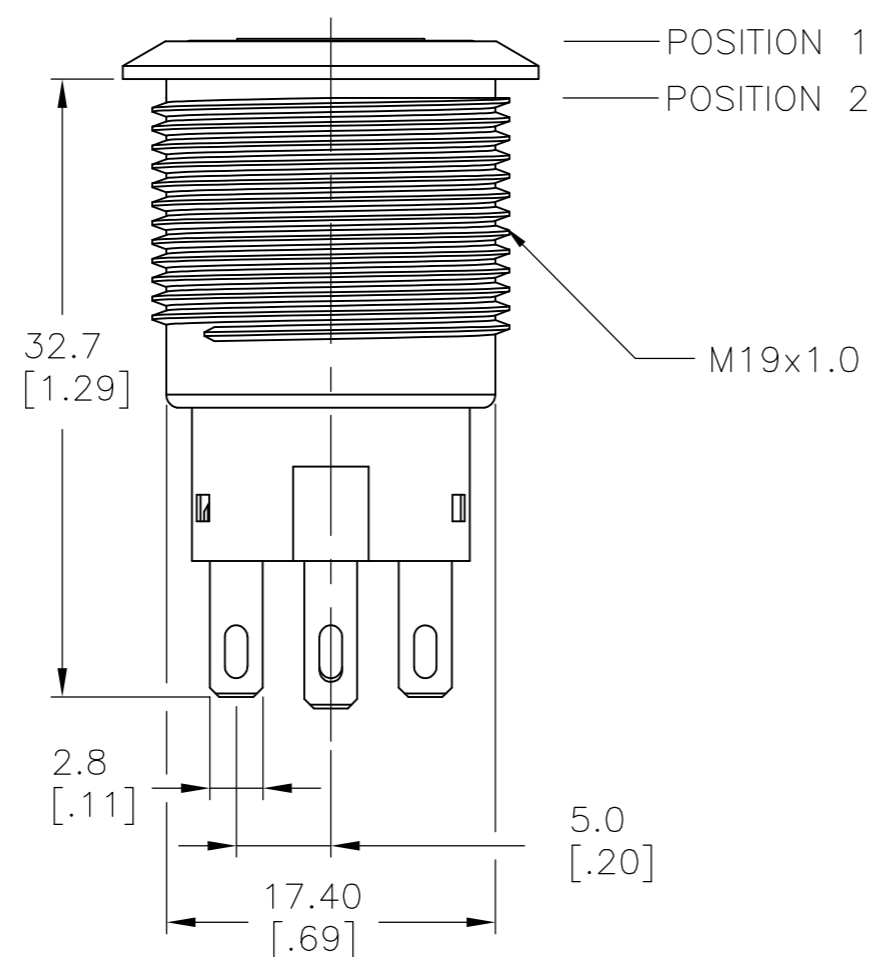
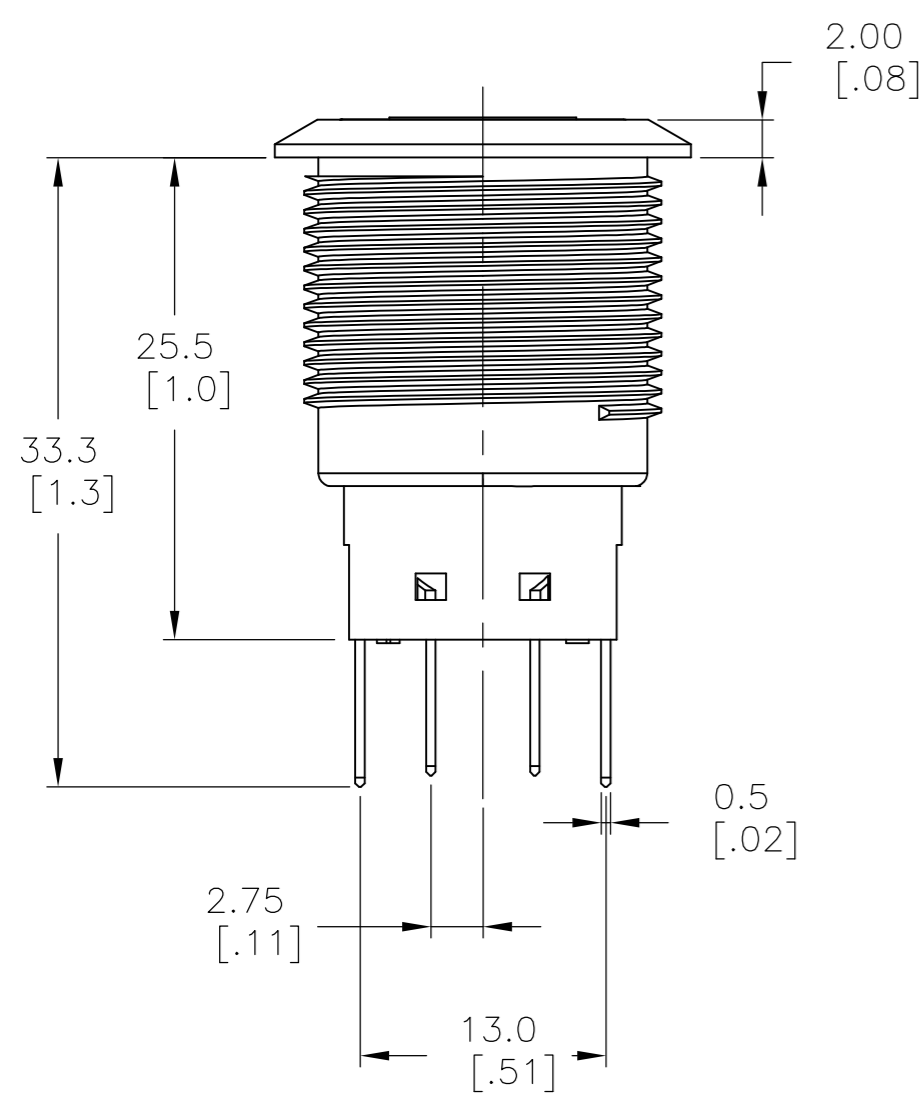
DOUBLE POLE SWITCH WITH DUAL COLOR LED'S



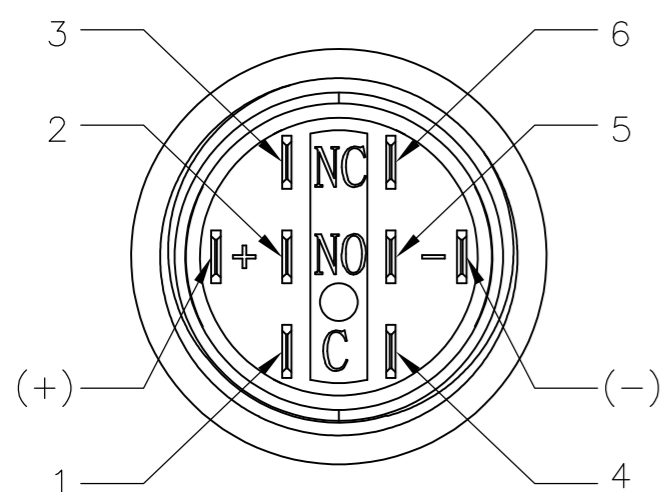
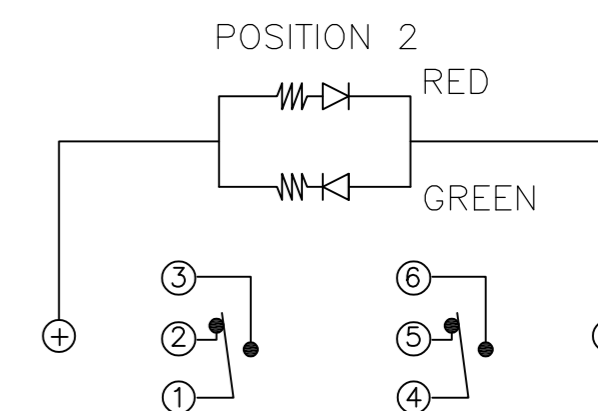
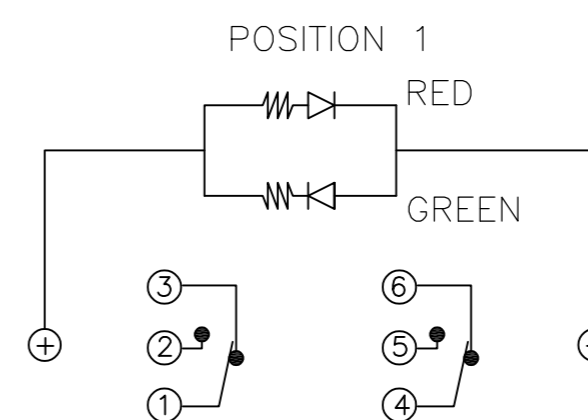
PANEL CUTOUT
 MAX.PANEL THICKNESS: 10.00[.394]



ASSEMBLED VIEW



EXPLODED VIEW

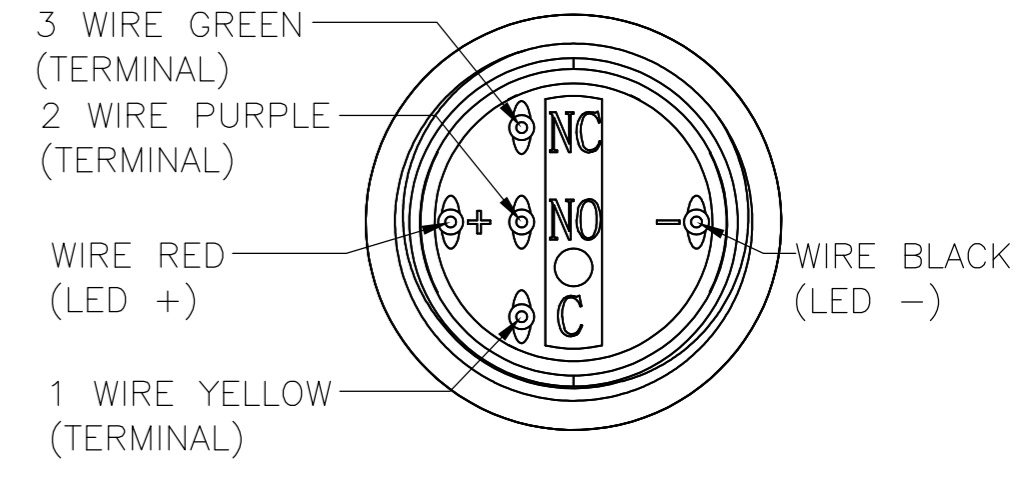
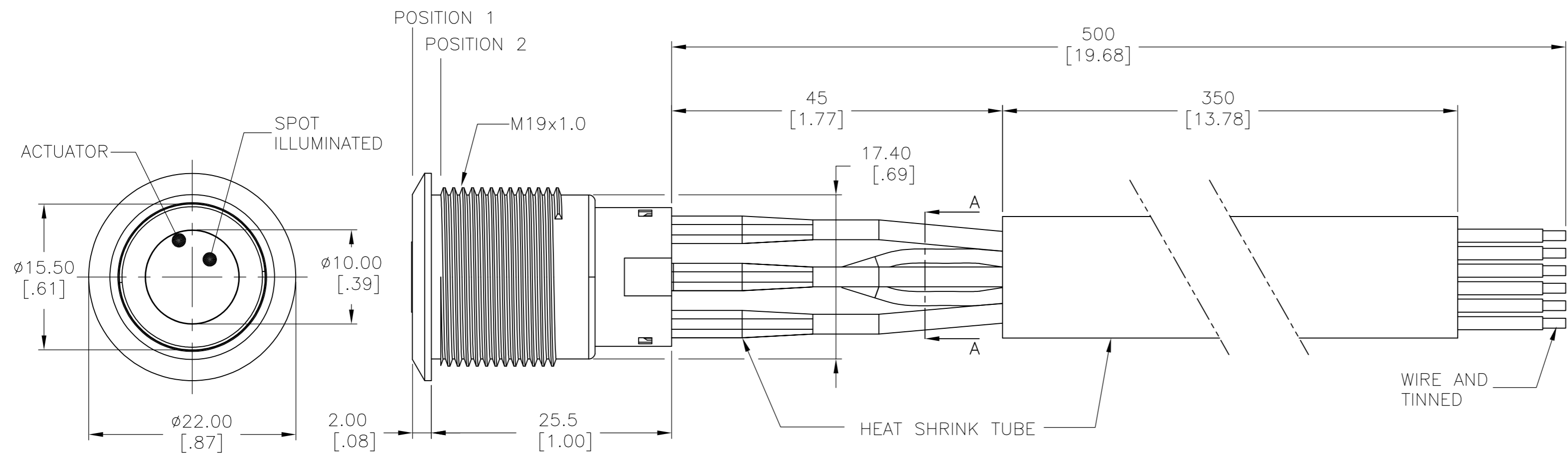


THIS DRAWING IS A CONTROLLED DOCUMENT.		DWN 13MAR2017 SHIVAKUMAR S S		
DIMENSIONS: mm [INCHES]		CHK 14MAR2017 SANJAY SHINDIKAR		
TOLERANCES UNLESS OTHERWISE SPECIFIED:		APVD 14MAR2017 SANJAY SHINDIKAR	NAME ANTI-VANDAL SWITCH 19mm DUAL COLOR LED, FLYING LEADS WITH SPOT LED	
0 PLC ± -		PRODUCT SPEC	SIZE CAGE CODE DRAWING NO RESTRICTED TO	
1 PLC ± 0.4[.016]		APPLICATION SPEC	A2 00779 C=2316542 -	
2 PLC ± 0.25[.010]		WEIGHT 0	SCALE 1:1 SHEET 2 of 5 REV A	
3 PLC ± -		CUSTOMER DRAWING		
4 PLC ± -				
ANGLES ± 2°				
FINISH				

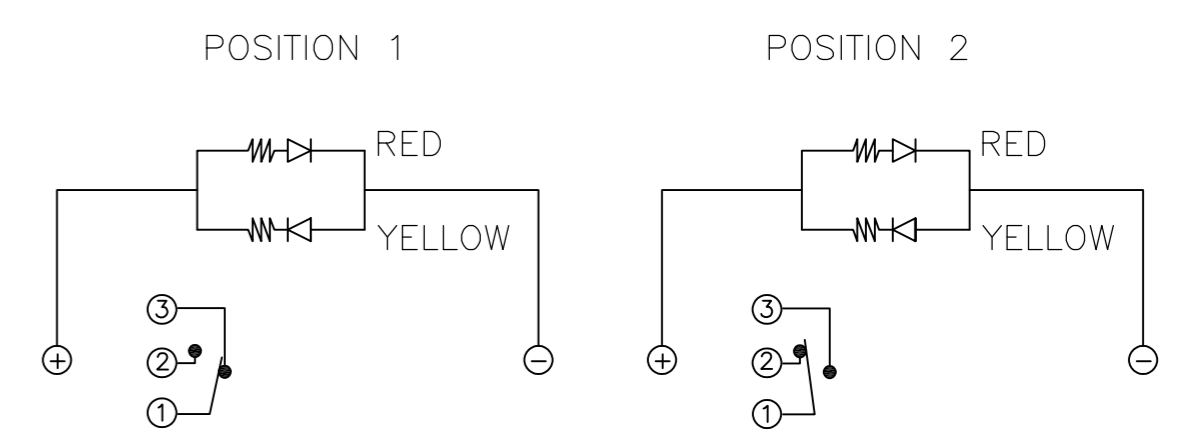
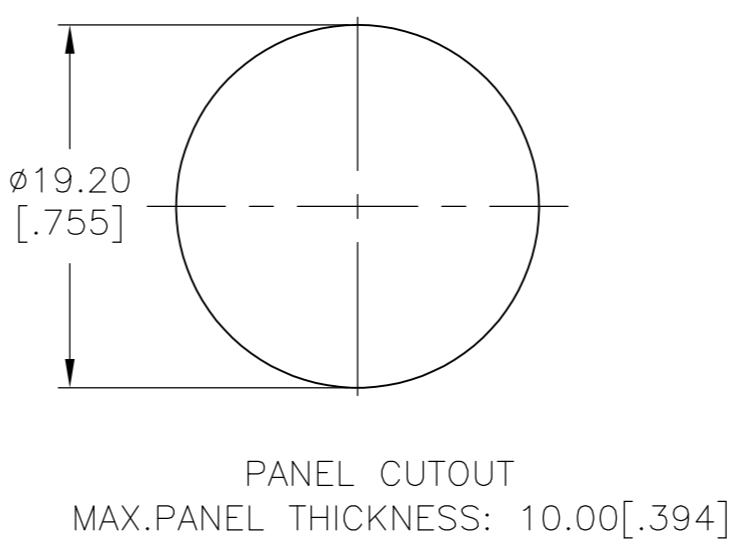
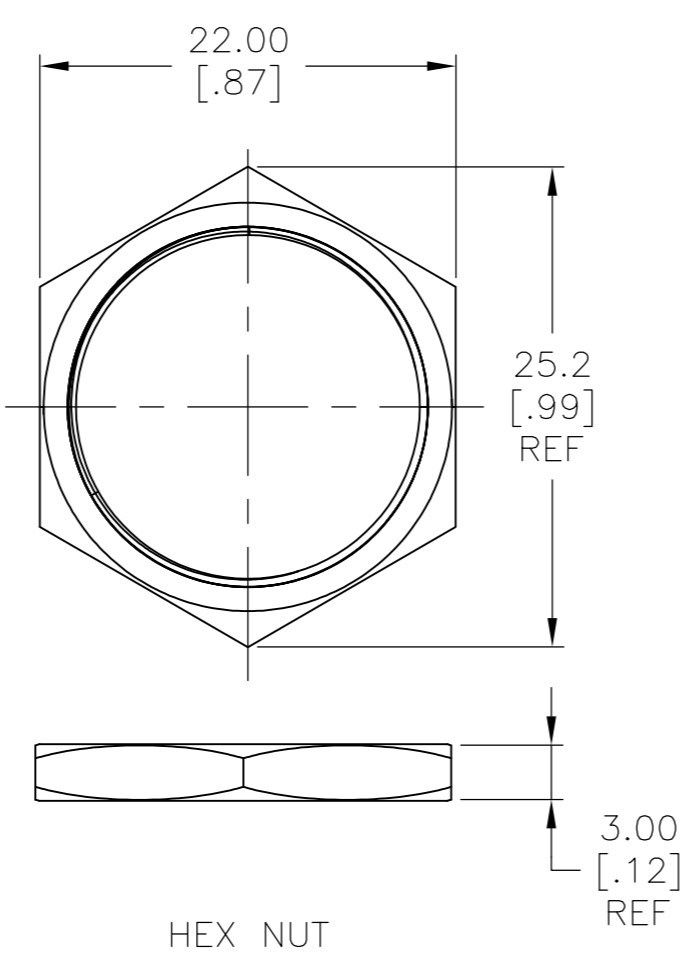
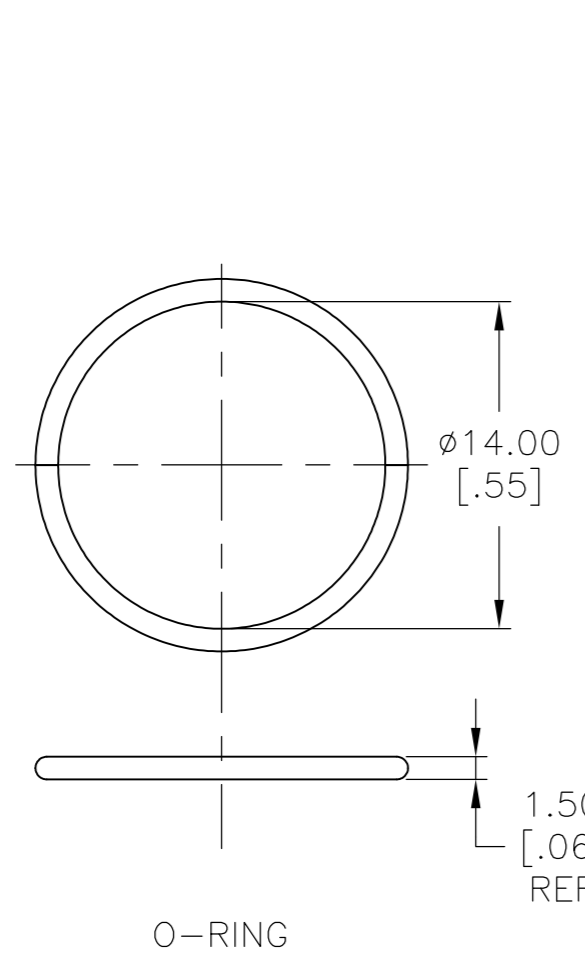
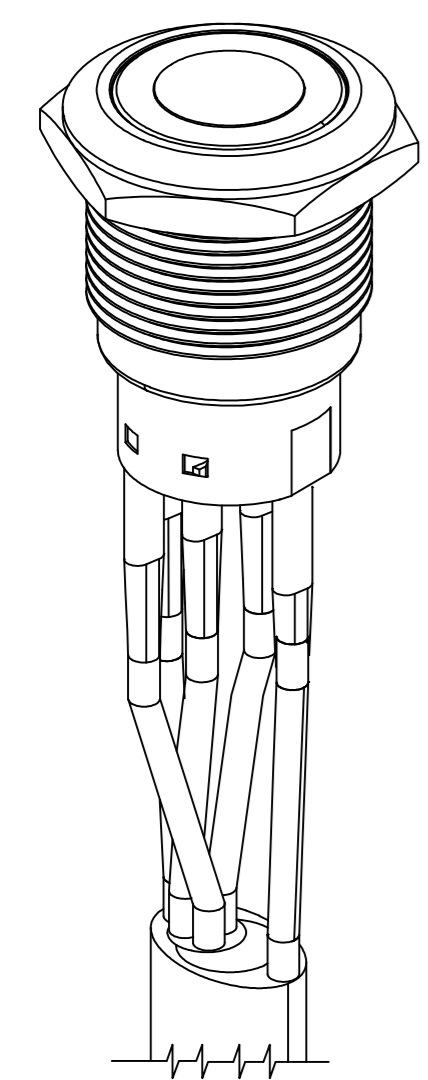
THIS DRAWING IS UNPUBLISHED. RELEASED FOR PUBLICATION
 © COPYRIGHT - TE Connectivity ALL RIGHTS RESERVED.

REVISIONS					
P	LTR	DESCRIPTION	DATE	DWN	APVD
-	-	SEE SHEET 1	-	-	-

SINGLE POLE SWITCH WITH DUAL COLOR LED'S AND FLYING LEADS



WIRE=18AWG, 300V(BLACK/YELLOW/GREEN/RED/PURPLE)

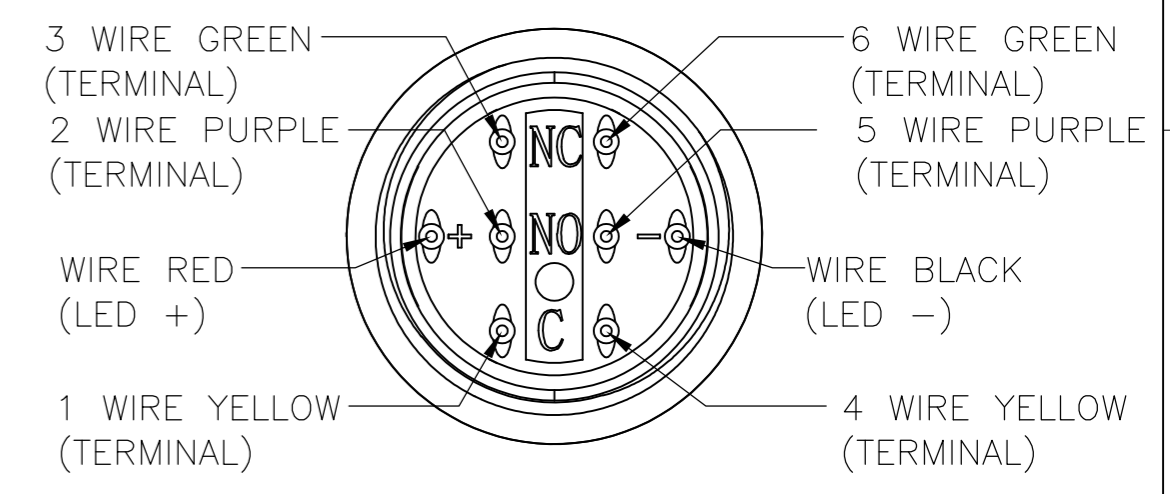
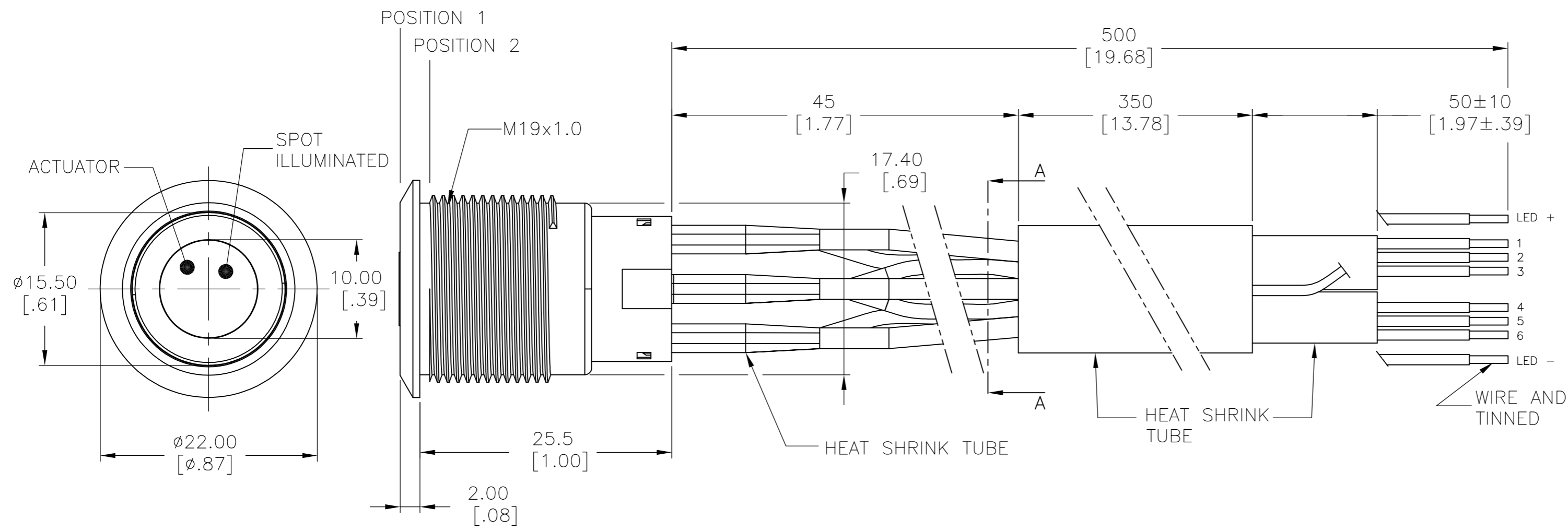


THIS DRAWING IS A CONTROLLED DOCUMENT.		DWN	13MAR2017		
		CHK	14MAR2017		
		APVD	14MAR2017		
		PRODUCT SPEC			
DIMENSIONS: mm [INCHES]		TOLERANCES UNLESS OTHERWISE SPECIFIED: 0 PLC ± - 1 PLC ± 0.4[016] 2 PLC ± 0.25[010] 3 PLC ± - 4 PLC ± - ANGLES ± 2°		NAME ANTI-VANDAL SWITCH 19mm DUAL COLOR LED, FLYING LEADS WITH SPOT LED	
MATERIAL		FINISH		SIZE CAGE CODE DRAWING NO RESTRICTED TO A2 00779 C=2316542 -	
		WEIGHT		SCALE 1:1 SHEET 3 OF 5 REV A	
		CUSTOMER DRAWING			

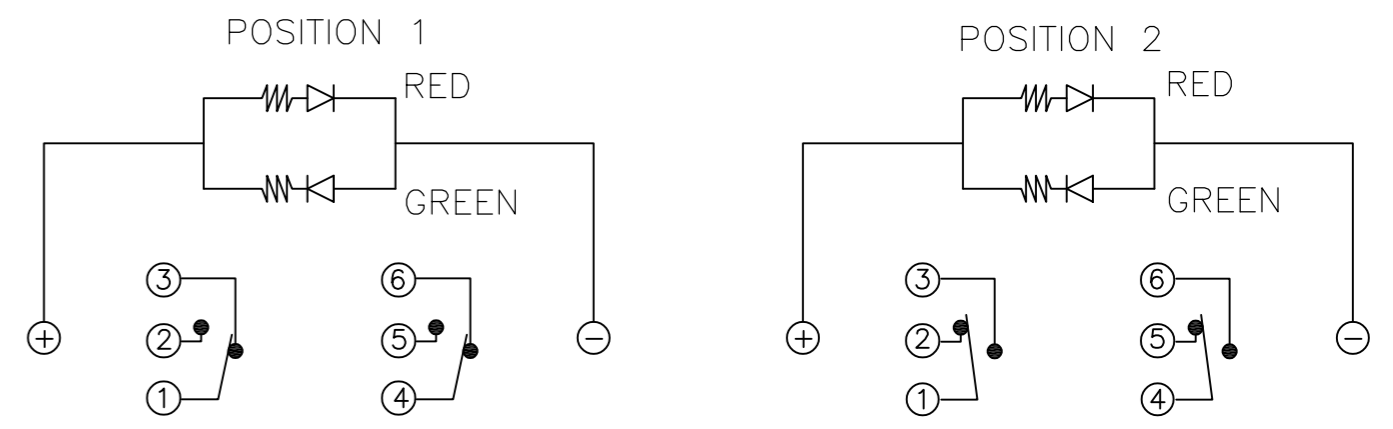
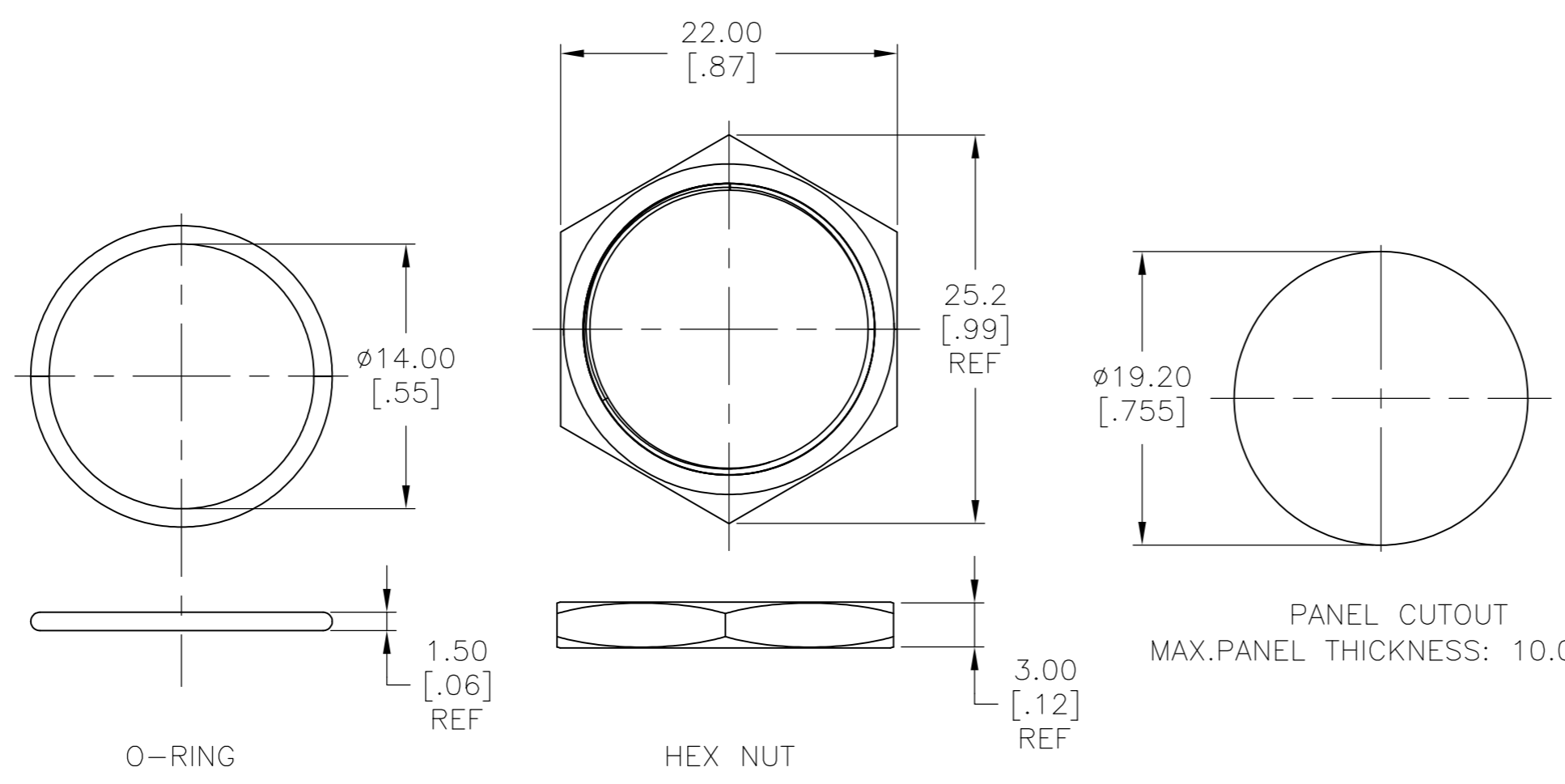
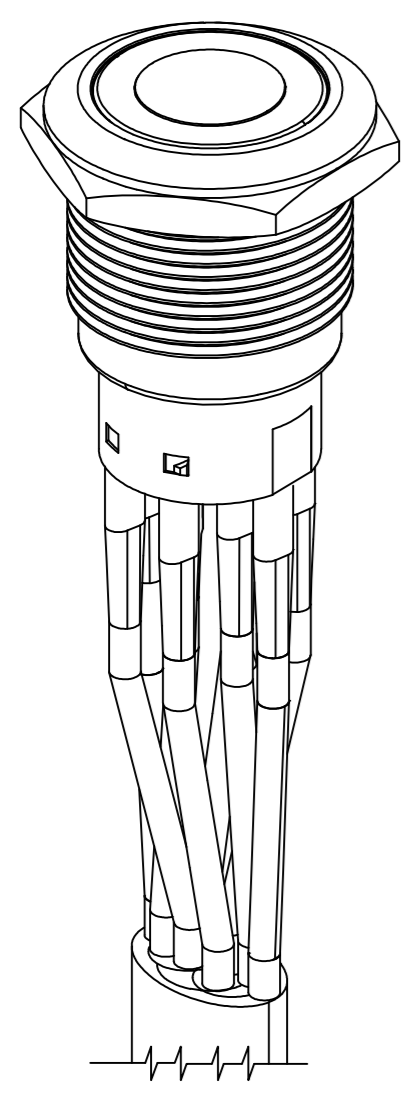
THIS DRAWING IS UNPUBLISHED. RELEASED FOR PUBLICATION
 © COPYRIGHT - TE Connectivity ALL RIGHTS RESERVED.

REVISIONS					
P	LTR	DESCRIPTION	DATE	DWN	APVD
-	-	SEE SHEET 1	-	-	-

DOUBLE POLE SWITCH WITH DUAL COLOR LED'S AND FLYING LEADS



WIRE=18AWG, 300V(BLACK/YELLOW/GREEN/RED/PURPLE)




THIS DRAWING IS A CONTROLLED DOCUMENT.		DWN	13MAR2017	TE TE Connectivity	
DIMENSIONS: mm [INCHES]		CHK	14MAR2017		
TOLERANCES UNLESS OTHERWISE SPECIFIED:		APVD	14MAR2017	NAME	
0 PLC	± -	PRODUCT SPEC		ANTI-VANDAL SWITCH 19mm DUAL COLOR LED, FLYING LEADS WITH SPOT LED	
1 PLC	± 0.4[.016]	APPLICATION SPEC		SIZE	CAGE CODE
2 PLC	± 0.25[.010]	WEIGHT		A2	00779
3 PLC	± -	CUSTOMER DRAWING		DRAWING NO	
4 PLC	± -	SCALE		C=2316542	
ANGLES	± 2°	SHEET		4 OF 5	
FINISH	-	REV		A	

THIS DRAWING IS UNPUBLISHED. RELEASED FOR PUBLICATION
 © COPYRIGHT - TE Connectivity ALL RIGHTS RESERVED.

REVISIONS					
P	LTR	DESCRIPTION	DATE	DWN	APVD
-	-	SEE SHEET 1	-	-	-

CONTACT PLATING	LIGHT TYPE	TERMINAL OPTION	POLE/THROW	LED COLOR	LED VOLTAGE	TE DESCRIPTIVE PART NUMBER	TE PART NUMBER
SILVER	SPOT RING	FLYING LEAD TERMINALS	DOUBLE POLE - MOMENTARY	RED & YELLOW	24	AV1920DG24T5Q04	4-2316542-7
					12	AV1920DG12T5Q04	4-2316542-6
				RED & BLUE	24	AV1920DB24T5Q04	4-2316542-5
					12	AV1920DB12T5Q04	4-2316542-4
				RED & GREEN	24	AV1920DA24T5Q04	4-2316542-3
					12	AV1920DA12T5Q04	4-2316542-2
			SINGLE POLE - LOCKING	RED & YELLOW	24	AV1911DG24T5Q04	4-2316542-1
					12	AV1911DG12T5Q04	4-2316542-0
				RED & BLUE	24	AV1911DB24T5Q04	3-2316542-9
					12	AV1911DB12T5Q04	3-2316542-8
				RED & GREEN	24	AV1911DA24T5Q04	3-2316542-7
					12	AV1911DA12T5Q04	3-2316542-6
		SOLDER TERMINALS	DOUBLE POLE - MOMENTARY	RED & YELLOW	24	AV1910DG24T5Q04	3-2316542-5
					12	AV1910DG12T5Q04	3-2316542-4
				RED & BLUE	24	AV1910DB24T5Q04	3-2316542-3
					12	AV1910DB12T5Q04	3-2316542-2
				RED & GREEN	24	AV1910DA24T5Q04	3-2316542-1
					12	AV1910DA12T5Q04	3-2316542-0
			SINGLE POLE - LOCKING	RED & YELLOW	24	AV1920DG24Q04	1-2316542-8
					12	AV1920DG12Q04	1-2316542-7
				RED & BLUE	24	AV1920DB24Q04	1-2316542-6
					12	AV1920DB12Q04	1-2316542-5
				RED & GREEN	24	AV1920DA24Q04	1-2316542-4
					12	AV1920DA12Q04	1-2316542-3
SOLDER TERMINALS	SINGLE POLE - LOCKING	RED & YELLOW	24	AV1911DG24Q04	1-2316542-2		
			12	AV1911DG12Q04	1-2316542-1		
		RED & BLUE	24	AV1911DB24Q04	1-2316542-0		
			12	AV1911DB12Q04	2316542-9		
		RED & GREEN	24	AV1911DA24Q04	2316542-8		
			12	AV1911DA12Q04	2316542-7		
	SINGLE POLE - MOMENTARY	RED & YELLOW	24	AV1910DG24Q04	2316542-6		
			12	AV1910DG12Q04	2316542-5		
		RED & BLUE	24	AV1910DB24Q04	2316542-4		
			12	AV1910DB12Q04	2316542-3		
		RED & GREEN	24	AV1910DA24Q04	2316542-2		
			12	AV1910DA12Q04	2316542-1		

THIS DRAWING IS A CONTROLLED DOCUMENT.		DWN 13MAR2017 SHIVAKUMAR S S	 TE Connectivity																							
DIMENSIONS: mm [INCHES]		CHK 14MAR2017 SANJAY SHINDIKAR																								
TOLERANCES UNLESS OTHERWISE SPECIFIED:		APVD 14MAR2017 SANJAY SHINDIKAR																								
<table border="1"> <tr><td>0</td><td>PLC</td><td>±</td><td>-</td></tr> <tr><td>1</td><td>PLC</td><td>±</td><td>0.4[.016]</td></tr> <tr><td>2</td><td>PLC</td><td>±</td><td>0.25[.010]</td></tr> <tr><td>3</td><td>PLC</td><td>±</td><td>-</td></tr> <tr><td>4</td><td>PLC</td><td>±</td><td>-</td></tr> <tr><td colspan="2">ANGLES</td><td>±</td><td>2°</td></tr> </table>		0			PLC	±	-	1	PLC	±	0.4[.016]	2	PLC	±	0.25[.010]	3	PLC	±	-	4	PLC	±	-	ANGLES		±
0	PLC	±	-																							
1	PLC	±	0.4[.016]																							
2	PLC	±	0.25[.010]																							
3	PLC	±	-																							
4	PLC	±	-																							
ANGLES		±	2°																							
MATERIAL	FINISH	WEIGHT 0	SIZE A2	CAGE CODE 00779																						
CUSTOMER DRAWING		SCALE 1:1	SHEET 5 of 5	REV A																						

X-ON Electronics

Largest Supplier of Electrical and Electronic Components

Click to view similar products for [Pushbutton Switches](#) category:

Click to view products by [TE Connectivity](#) manufacturer:

Other Similar products are found below :

[8971K1133](#) [LW2L-M1C20M-A](#) [M22-D-R-GB0/K11](#) [701PB580](#) [7199K101](#) [810K12910](#) [810KSV30B](#) [FLT 2U EE 01A](#) [MML21EA2ADK](#)
[MML21KA3ABK](#) [MML23KA3AC05K-001](#) [MML23KW3AA01W](#) [8418K2](#) [8442K3](#) [8450K1](#) [860K11911T01A](#) [861901](#) [861K11911T01A07](#)
[861K13810T00A14](#) [861K13911](#) [8646AB6X718UL](#) [9533CD4+U574+U4922](#) [99-450.837](#) [99-453.837](#) [A2PMA1X03EC56](#) [A3A-7310](#) [A3A-](#)
[7340](#) [12037A2ULCSA](#) [1203A2UL](#) [ABGW410-R](#) [ABN400-R](#) [121382](#) [1213C3](#) [HE3B-M2](#) [121194](#) [1212MRA](#) [1241.1183.7047](#) [121489](#)
[1223A2ULCSA](#) [1241.1183.8000](#) [1241.1183.8029](#) [D5P-MT4](#) [13435AG](#) [13445AD29GX768](#) [AG23-L2](#) [AH165-2SGLG1TE3](#) [AH165-](#)
[TGFY22](#) [AH165-TGL5Y11E3](#) [AH165-TGLR11AA3](#) [AH165-TL5Y22E](#)