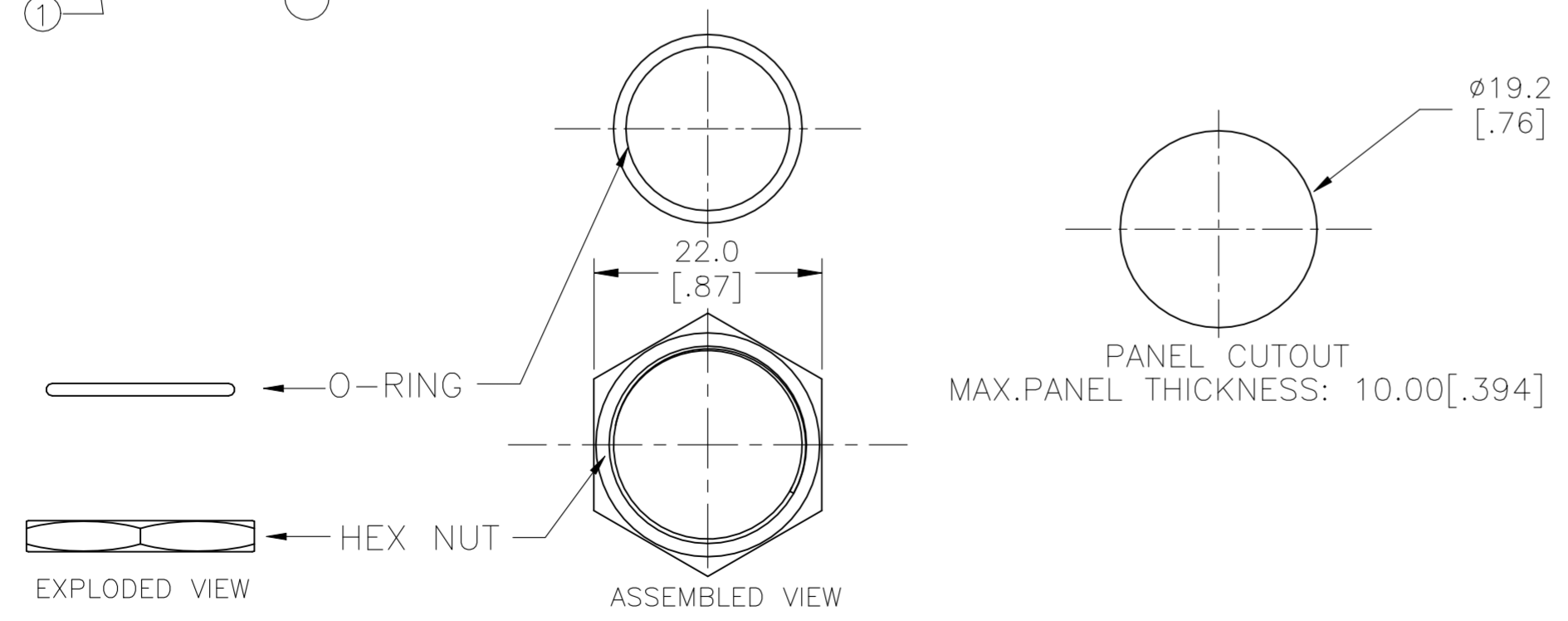
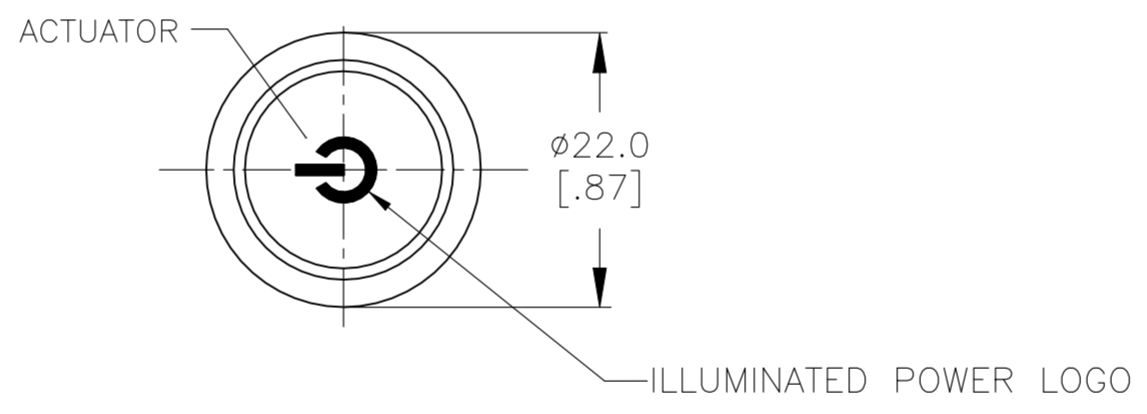
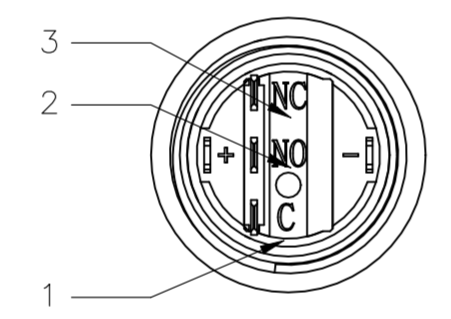
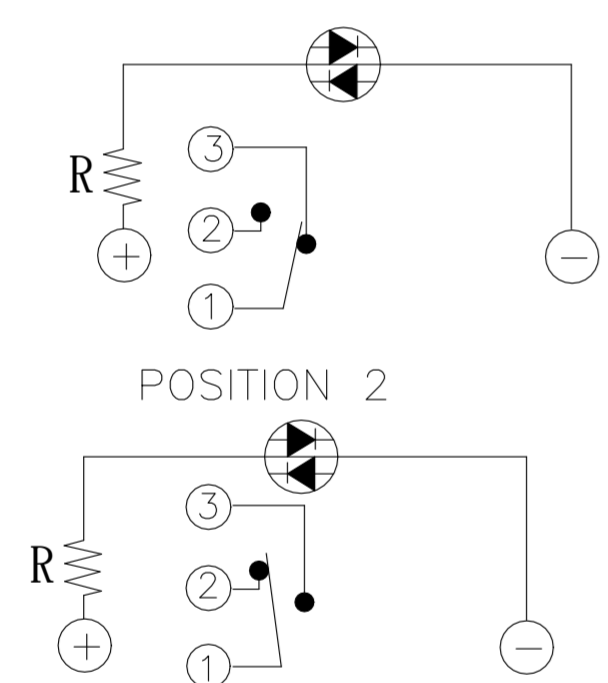
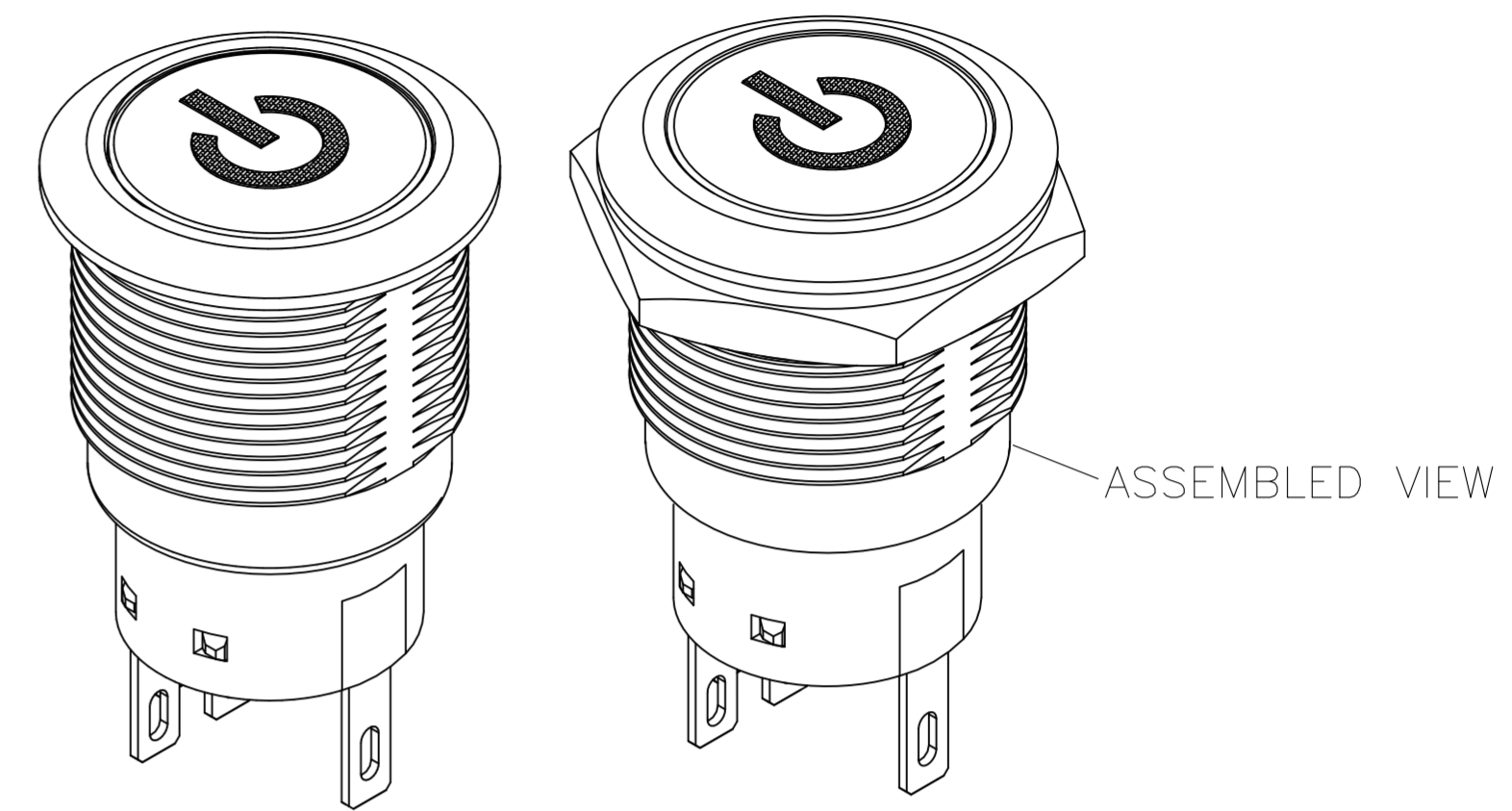
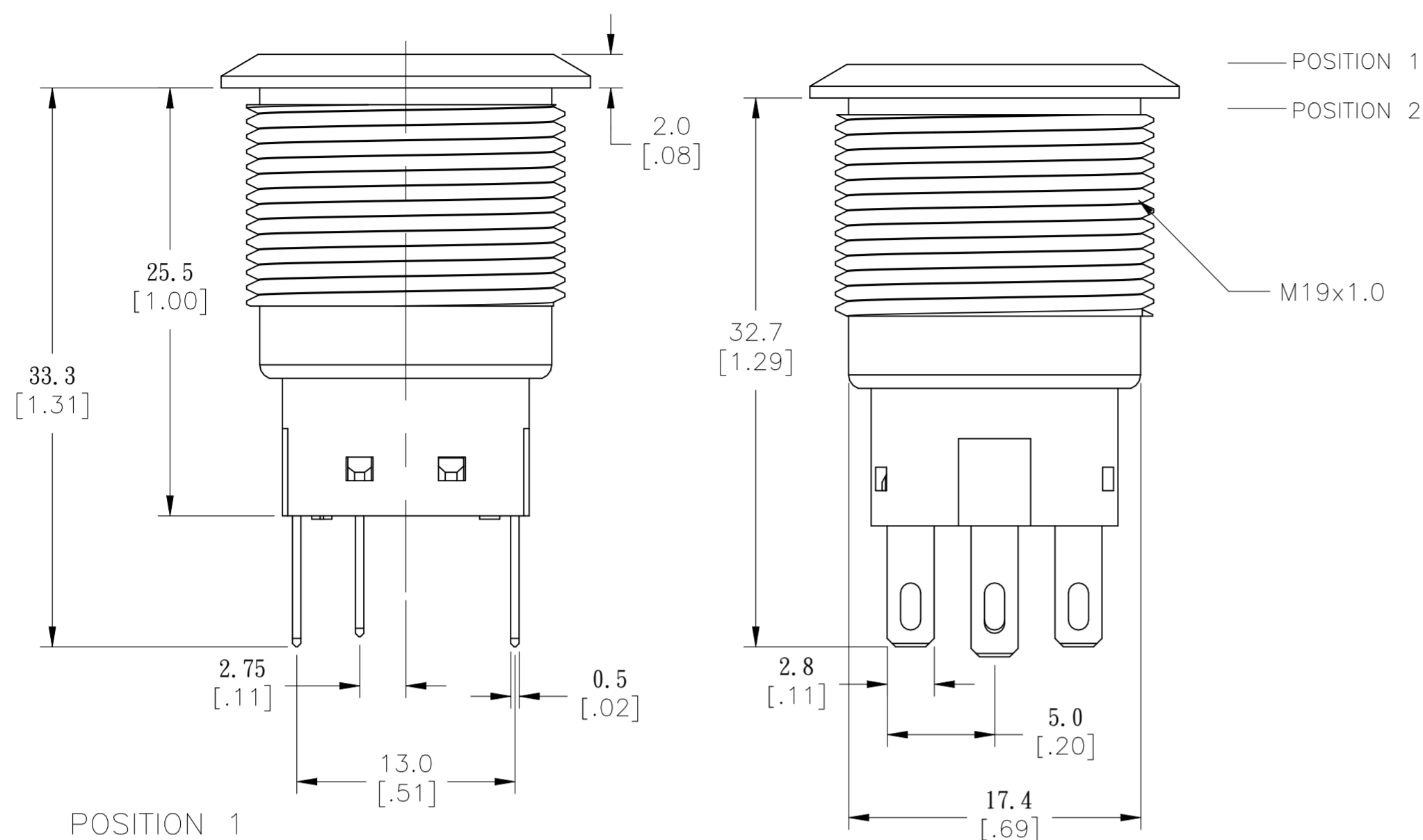


REVISIONS					
P	LTR	DESCRIPTION	DATE	DWN	APVD
C		REVISED PER ECR-21-006029	02SEP2021	VG	PO



CONTACT RATING: SILVER: 3A @ 250 VAC RESISTIVE
 GOLD: 0.4VA @ 20VDC OR PEAK AC
 INSULATION RESISTANCE: 1,000MΩ MIN AT 500VDC
 DIELECTRIC STRENGTH: 2,000V RMS @ SEA LEVEL
 CONTACT RESISTANCE: 50 mΩ MAX @ 1A 12VDC (INITIAL VALUE)
 ELECTRICAL LIFECYCLES: 50,000 MAKE AND BREAK CYCLES AT FULL LOAD

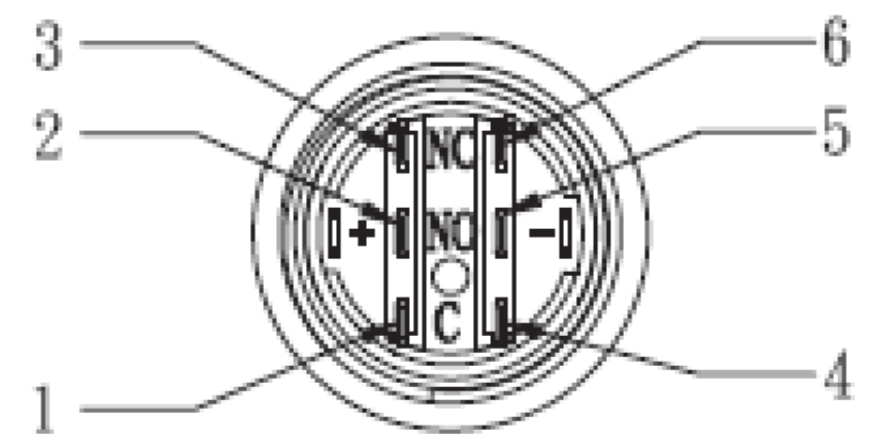
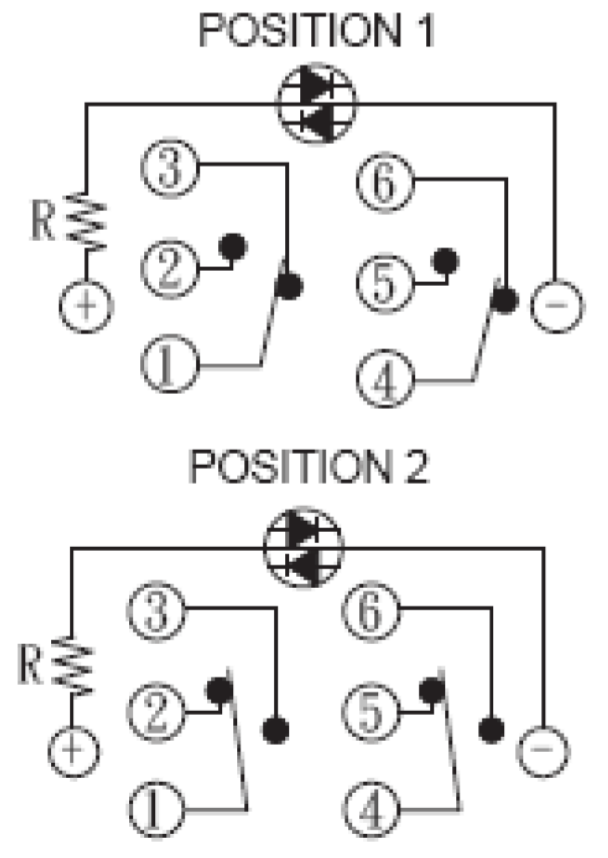
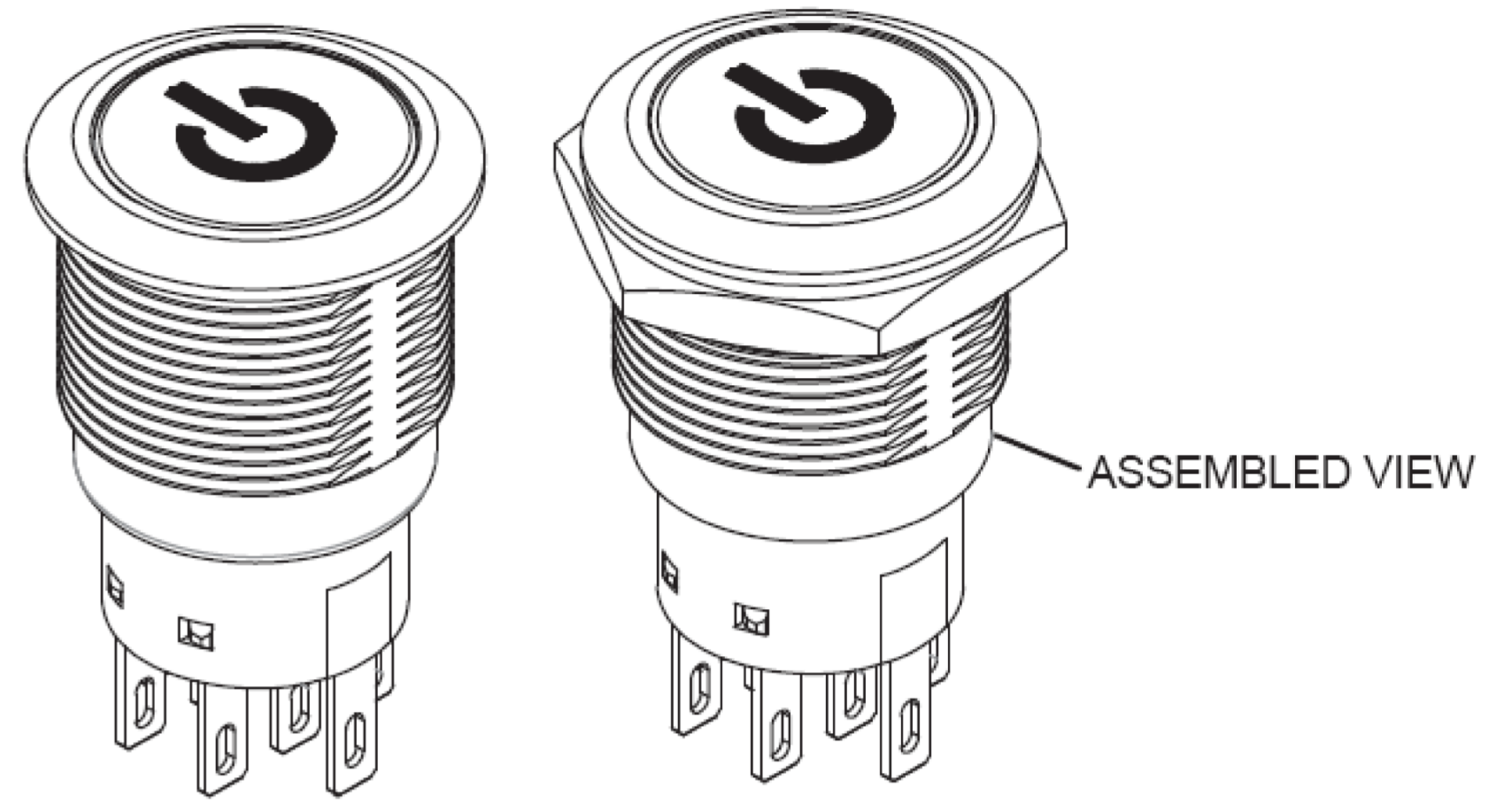
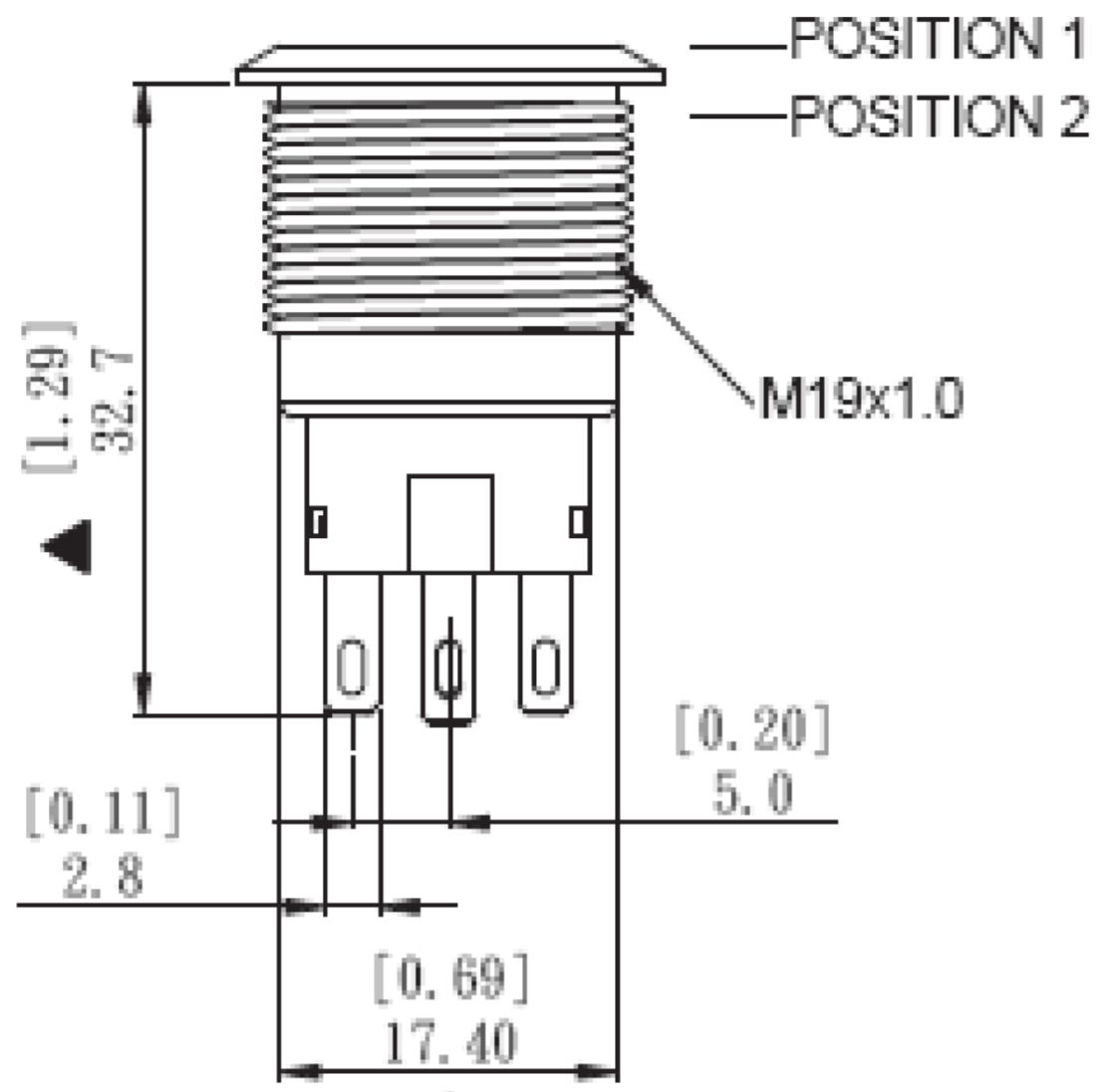
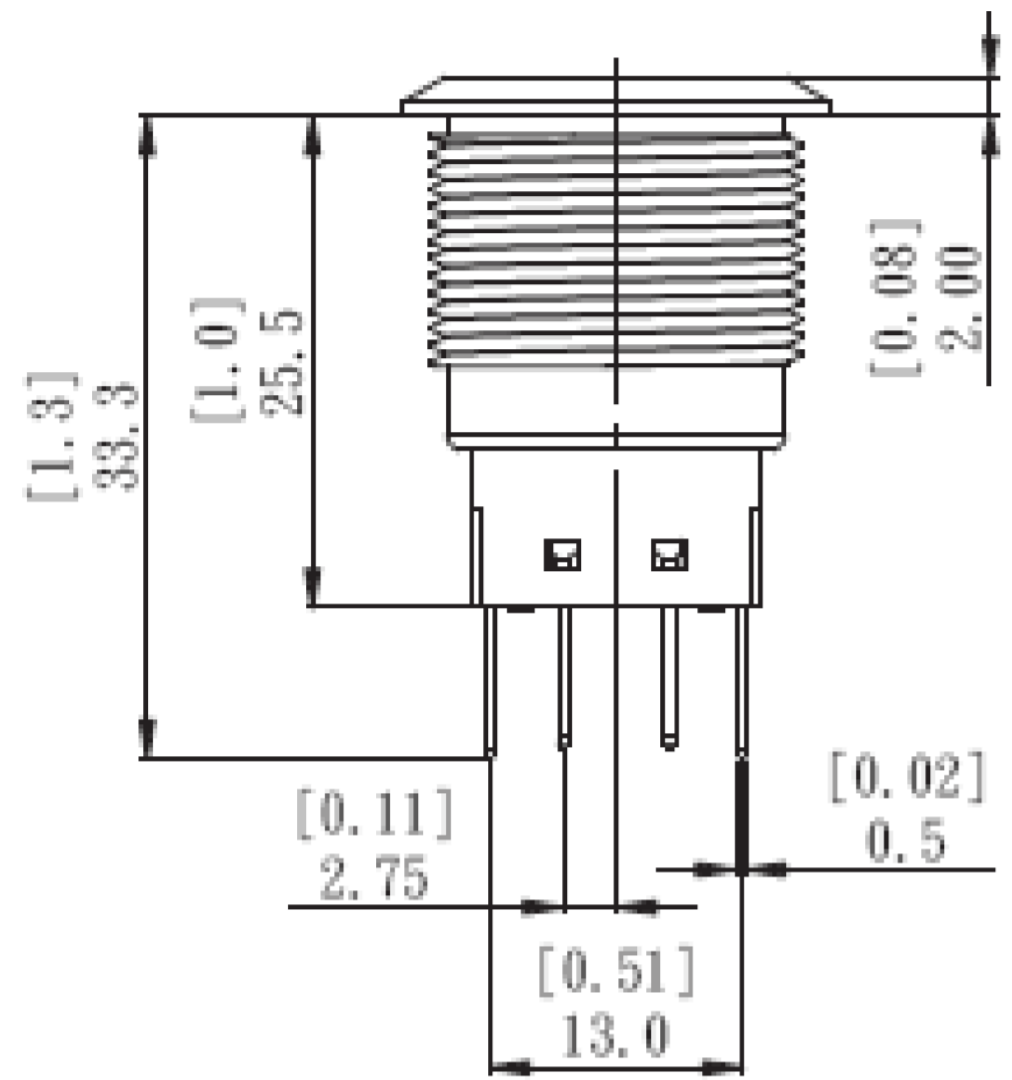
ACTUATION FORCE: SP: 2.5±1 NEWTON, DP: 3.5±1 NEWTON
 ACTUATION TRAVEL: 3.2mm
 SEALED PER IP67, IK10 (STAINLESS)
 OPERATING TEMPERATURE: -20°C TO +55°C
 MECHANICAL LIFECYCLES: MOMENTARY: 1,000,000 CYCLES
 LOCKING: 500,000 CYCLES
 HARDWARE TORQUE: 5-14 N-m

MATERIALS
 BUSHING: STAINLESS STEEL
 BASE: PBT (UL 94-V0), PC (UL 94-V2)
 ACTUATOR: STAINLESS STEEL, PC
 SEALING: O-RING (SILICONE)
 TERMINAL/CONTACT: COPPER BASE, SILVER/GOLD PLATED
 HEX NUT: BRASS BASE, NICKEL PLATED

1 ALL MATERIAL AND FINISHES SHALL COMPLY WITH EU DIRECTIVE 2002/95/EC OF 27JAN2003 (ROHS)

THIS DRAWING IS A CONTROLLED DOCUMENT.		DWN NAGALAKSHMI K 08FEB2016	STE TE Connectivity	
DIMENSIONS: mm [INCHES]		CHK HILL RYAN 08FEB2016		
TOLERANCES UNLESS OTHERWISE SPECIFIED:		APVD HILL RYAN 08FEB2016	NAME ANTI-VANDAL SWITCH 19mm POWER LOGO LED	
0 PLC ± - 1 PLC ± - 2 PLC ± - 3 PLC ± - 4 PLC ± - ANGLES ± -		PRODUCT SPEC	SIZE A2	CAGE CODE 00779
MATERIAL -		FINISH -	WEIGHT 0	DRAWING NO C=2213766
		CUSTOMER DRAWING		RESTRICTED TO -
		SCALE 6:1		SHEET 1 of 3
				REV C

REVISIONS					
P	LTR	DESCRIPTION	DATE	DWN	APVD
-	-	SEE SHEET 1	-	-	-



THIS DRAWING IS A CONTROLLED DOCUMENT.		DWN 08FEB2016 NAGALAKSHMI K			
DIMENSIONS: mm [INCHES]		CHK 08FEB2016 HILL RYAN			
TOLERANCES UNLESS OTHERWISE SPECIFIED:		APVD 08FEB2016 HILL RYAN	NAME		
0 PLC ± - 1 PLC ± - 2 PLC ± - 3 PLC ± - 4 PLC ± - ANGLES ± -		PRODUCT SPEC	ANTI-VANDAL SWITCH 19mm POWER LOGO LED		
MATERIAL		FINISH	WEIGHT	SIZE A2	CAGE CODE 00779
				DRAWING NO. C=2213766	RESTRICTED TO
CUSTOMER DRAWING			SCALE NTS	SHEET 2 OF 3	REV C

THIS DRAWING IS UNPUBLISHED. RELEASED FOR PUBLICATION
 © COPYRIGHT - By - ALL RIGHTS RESERVED.

REVISIONS

P	LTR	DESCRIPTION	DATE	DWN	APVD
-	-	SEE SHEET 1	-	-	-

POLE/THROW	CONTACT	LED COLOUR	LED VOLTAGE	TE DESCRIPTIVE PN	TE PART NUMBER	
DOUBLE POLE-MOMENTARY	SILVER	WHITE	24V	AV1920P124Q04	4-2213766-3	
	GOLD	WHITE	12V	AV1920P112R04	4-2213766-2	
	SILVER	WHITE	12V	AV1920P112Q04	4-2213766-1	
SINGLE POLE-LOCKING	GOLD	BLUE	24V	AV1911P724R04	4-2213766-0	
	SILVER	BLUE	24V	AV1911P724Q04	3-2213766-9	
	GOLD	BLUE	12V	AV1911P712R04	3-2213766-8	
	SILVER	BLUE	12V	AV1911P712Q04	3-2213766-7	
	GOLD	GREEN	24V	AV1911P624R04	3-2213766-6	
	SILVER	GREEN	24V	AV1911P624Q04	3-2213766-5	
	GOLD	GREEN	12V	AV1911P612R04	3-2213766-4	
	SILVER	GREEN	12V	AV1911P612Q04	3-2213766-3	
	GOLD	YELLOW	24V	AV1911P524R04	3-2213766-2	
	SILVER	YELLOW	24V	AV1911P524Q04	3-2213766-1	
	GOLD	YELLOW	12V	AV1911P512R04	3-2213766-0	
	SILVER	YELLOW	12V	AV1911P512Q04	2-2213766-9	
	GOLD	RED	24V	AV1911P324R04	2-2213766-8	
	SILVER	RED	24V	AV1911P324Q04	2-2213766-7	
	GOLD	RED	12V	AV1911P312R04	2-2213766-6	
	SILVER	RED	12V	AV1911P312Q04	2-2213766-5	
	GOLD	WHITE	24V	AV1911P124R04	2-2213766-4	
	SILVER	WHITE	24V	AV1911P124Q04	2-2213766-3	
	GOLD	WHITE	12V	AV1911P112R04	2-2213766-2	
	SILVER	WHITE	12V	AV1911P112Q04	2-2213766-1	
	SINGLE POLE-MOMENTARY	GOLD	BLUE	24V	AV1910P724R04	2-2213766-0
		SILVER	BLUE	24V	AV1910P724Q04	1-2213766-9
GOLD		BLUE	12V	AV1910P712R04	1-2213766-8	
SILVER		BLUE	12V	AV1910P712Q04	1-2213766-7	
GOLD		GREEN	24V	AV1910P624R04	1-2213766-6	
SILVER		GREEN	24V	AV1910P624Q04	1-2213766-5	
GOLD		GREEN	12V	AV1910P612R04	1-2213766-4	
SILVER		GREEN	12V	AV1910P612Q04	1-2213766-3	
GOLD		YELLOW	24V	AV1910P524R04	1-2213766-2	
SILVER		YELLOW	24V	AV1910P524Q04	1-2213766-1	
GOLD		YELLOW	12V	AV1910P512R04	1-2213766-0	
SILVER		YELLOW	12V	AV1910P512Q04	2213766-9	
GOLD		RED	24V	AV1910P324R04	2213766-8	
SILVER		RED	24V	AV1910P324Q04	2213766-7	
GOLD		RED	12V	AV1910P312R04	2213766-6	
SILVER		RED	12V	AV1910P312Q04	2213766-5	
GOLD		WHITE	24V	AV1910P124R04	2213766-4	
SILVER		WHITE	24V	AV1910P124Q04	2213766-3	
GOLD		WHITE	12V	AV1910P112R04	2213766-2	
SILVER		WHITE	12V	AV1910P112Q04	2213766-1	

DOUBLE POLE-LOCKING	DOUBLE POLE-MOMENTARY			
GOLD	BLUE	24V	AV1921P724R04	8-2213766-0
SILVER	BLUE	24V	AV1921P724Q04	7-2213766-9
GOLD	BLUE	12V	AV1921P712R04	7-2213766-8
SILVER	BLUE	12V	AV1921P712Q04	7-2213766-7
GOLD	GREEN	24V	AV1921P624R04	7-2213766-6
SILVER	GREEN	24V	AV1921P624Q04	7-2213766-5
GOLD	GREEN	12V	AV1921P612R04	7-2213766-4
SILVER	GREEN	12V	AV1921P612Q04	7-2213766-3
GOLD	YELLOW	24V	AV1921P524R04	7-2213766-2
SILVER	YELLOW	24V	AV1921P524Q04	7-2213766-1
GOLD	YELLOW	12V	AV1921P512R04	7-2213766-0
SILVER	YELLOW	12V	AV1921P512Q04	6-2213766-9
GOLD	RED	24V	AV1921P324R04	6-2213766-8
SILVER	RED	24V	AV1921P324Q04	6-2213766-7
GOLD	RED	12V	AV1921P312R04	6-2213766-6
SILVER	RED	12V	AV1921P312Q04	6-2213766-5
GOLD	WHITE	24V	AV1921P124R04	6-2213766-4
SILVER	WHITE	24V	AV1921P124Q04	6-2213766-3
GOLD	WHITE	12V	AV1921P112R04	6-2213766-2
SILVER	WHITE	12V	AV1921P112Q04	6-2213766-1
GOLD	BLUE	24V	AV1920P724R04	6-2213766-0
SILVER	BLUE	24V	AV1920P724Q04	5-2213766-9
GOLD	BLUE	12V	AV1920P712R04	5-2213766-8
SILVER	BLUE	12V	AV1920P712Q04	5-2213766-7
GOLD	GREEN	24V	AV1920P624R04	5-2213766-6
SILVER	GREEN	24V	AV1920P624Q04	5-2213766-5
GOLD	GREEN	12V	AV1920P612R04	5-2213766-4
SILVER	GREEN	12V	AV1920P612Q04	5-2213766-3
GOLD	YELLOW	24V	AV1920P524R04	5-2213766-2
SILVER	YELLOW	24V	AV1920P524Q04	5-2213766-1
GOLD	YELLOW	12V	AV1920P512R04	5-2213766-0
SILVER	YELLOW	12V	AV1920P512Q04	4-2213766-9
GOLD	RED	24V	AV1920P324R04	4-2213766-8
SILVER	RED	24V	AV1920P324Q04	4-2213766-7
GOLD	RED	12V	AV1920P312R04	4-2213766-6
SILVER	RED	12V	AV1920P312Q04	4-2213766-5
GOLD	WHITE	24V	AV1920P124R04	4-2213766-4

THIS DRAWING IS A CONTROLLED DOCUMENT.

DWN NAGALAKSHMI K 08FEB2016	TE Connectivity
CHK HILL RYAN 08FEB2016	
APVD HILL RYAN 08FEB2016	NAME
PRODUCT SPEC	ANTI-VANDAL SWITCH 19mm POWER LOGO LED
APPLICATION SPEC	SIZE A2 CAGE CODE 00779 DRAWING NO C-2213766 RESTRICTED TO
WEIGHT	SCALE NTS SHEET 3 OF 3 REV C
CUSTOMER DRAWING	

X-ON Electronics

Largest Supplier of Electrical and Electronic Components

Click to view similar products for [Pushbutton Switches](#) category:

Click to view products by [TE Connectivity](#) manufacturer:

Other Similar products are found below :

[8940K2012](#) [LW1L-M1C10V-A](#) [LW1L-M1C70-A](#) [LW2L-A1C20M-GD](#) [LW2L-M1C20M-A](#) [60324L](#) [M22-D-R-GB0/K11](#) [M7E-HRN2](#)
[67021K512](#) [67081K512X](#) [701PB580](#) [7199K101](#) [810K12910](#) [810KSV30B](#) [MML21EA2ADK](#) [MML21KA3ABK](#) [MML23KA3AC05K-001](#)
[MML23KW3AA01W](#) [8418K2](#) [8442K3](#) [8450K1](#) [860K11911T01A](#) [861901](#) [861K11911T01A07](#) [861K13810T00A14](#) [861K13911](#)
[8646AB6X718UL](#) [8646ABUL](#) [9001KXRK](#) [907AYY100](#) [PMHD155A1](#) [9533CD4+U574+U4922](#) [95-414.000](#) [99-450.837](#) [99-453.837](#)
[PV3H2B0NN-341](#) [1203MRA](#) [A22NZBGANGA](#) [A22NZBNANGA](#) [A22NZMPATRA](#) [A2PMA1X03EC56](#) [A3A-5123-02](#) [A3A-7140](#) [A3A-7310](#) [A3A-7340](#) [A3U-TMW-A2C-5M](#) [A595](#) [12037A2ULCSA](#) [ABD122N-B](#) [1211390004](#)