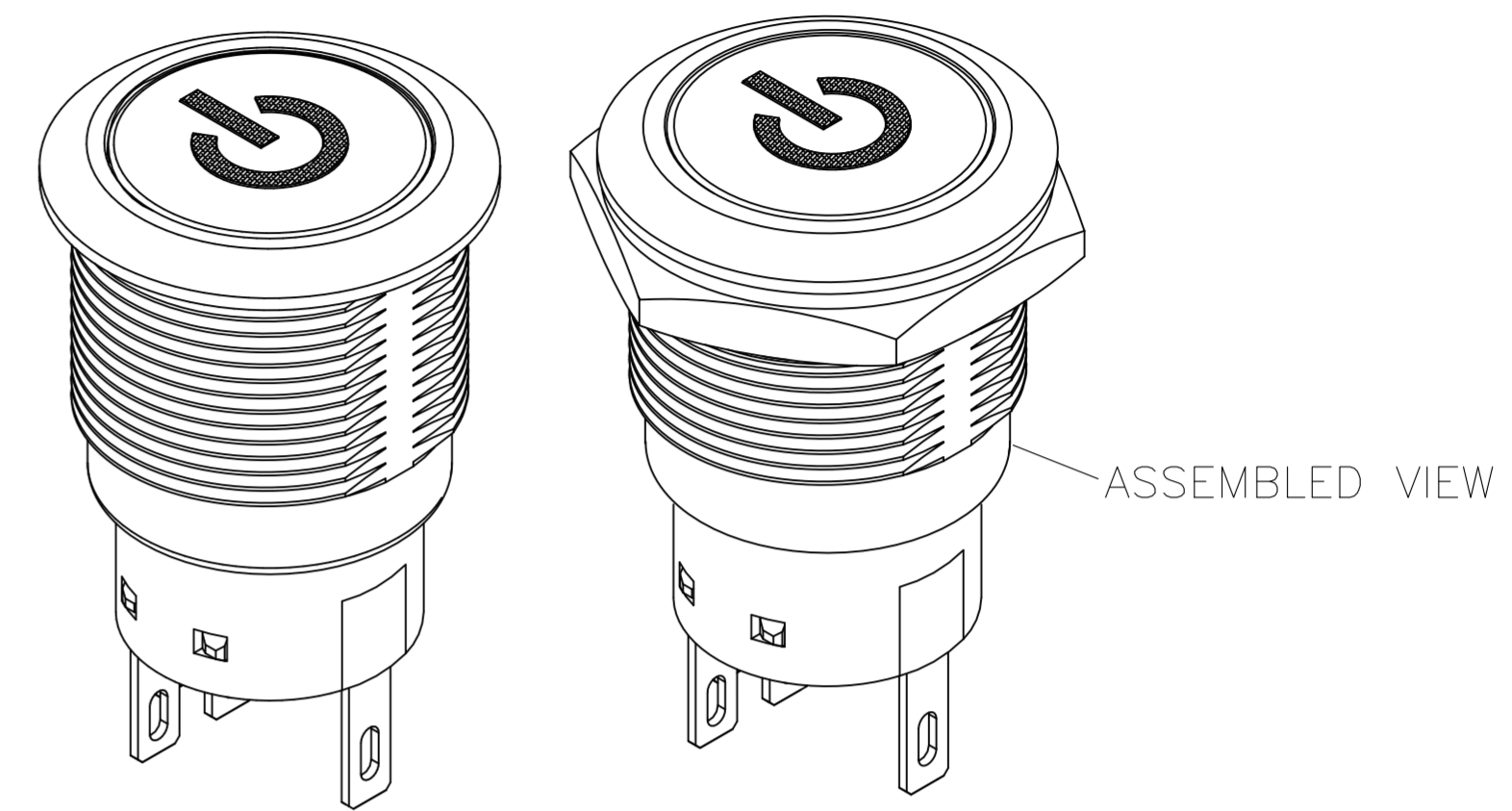
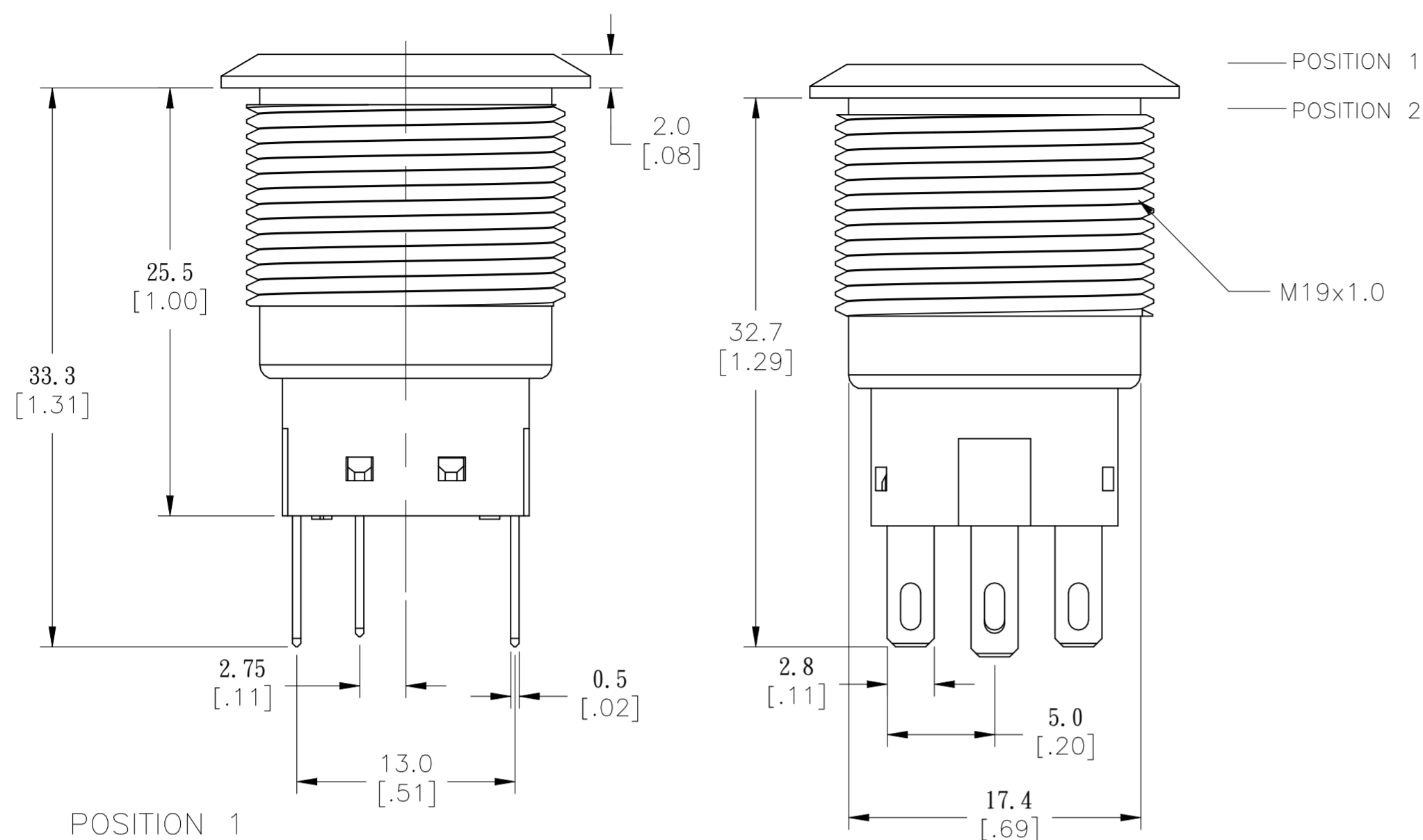


THIS DRAWING IS UNPUBLISHED. RELEASED FOR PUBLICATION  
© COPYRIGHT - By - ALL RIGHTS RESERVED.

| REVISIONS |     |                           |           |     |      |
|-----------|-----|---------------------------|-----------|-----|------|
| P         | LTR | DESCRIPTION               | DATE      | DWN | APVD |
| C         |     | REVISED PER ECR-21-006029 | 02SEP2021 | VG  | PO   |



SPECIFICATIONS

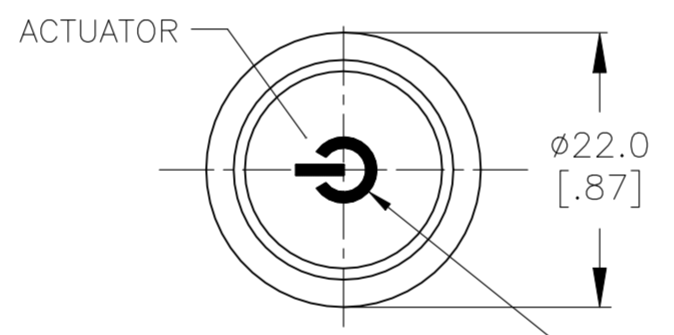
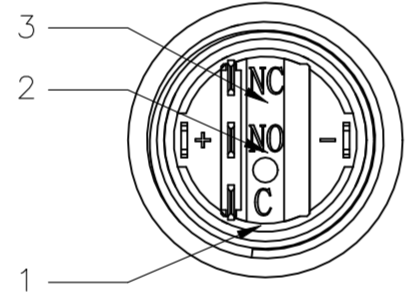
CONTACT RATING: SILVER: 3A @ 250 VAC RESISTIVE  
 GOLD: 0.4VA @ 20VDC OR PEAK AC  
 INSULATION RESISTANCE: 1,000MΩ MIN AT 500VDC  
 DIELECTRIC STRENGTH: 2,000V RMS @ SEA LEVEL  
 CONTACT RESISTANCE: 50 mΩ MAX @ 1A 12VDC (INITIAL VALUE)  
 ELECTRICAL LIFECYCLES: 50,000 MAKE AND BREAK CYCLES AT FULL LOAD

ACTUATION FORCE: SP: 2.5±1 NEWTON, DP: 3.5±1 NEWTON  
 ACTUATION TRAVEL: 3.2mm  
 SEALED PER IP67, IK10 (STAINLESS)  
 OPERATING TEMPERATURE: -20°C TO +55°C  
 MECHANICAL LIFECYCLES: MOMENTARY: 1,000,000 CYCLES  
 LOCKING: 500,000 CYCLES  
 HARDWARE TORQUE: 5-14 N-m

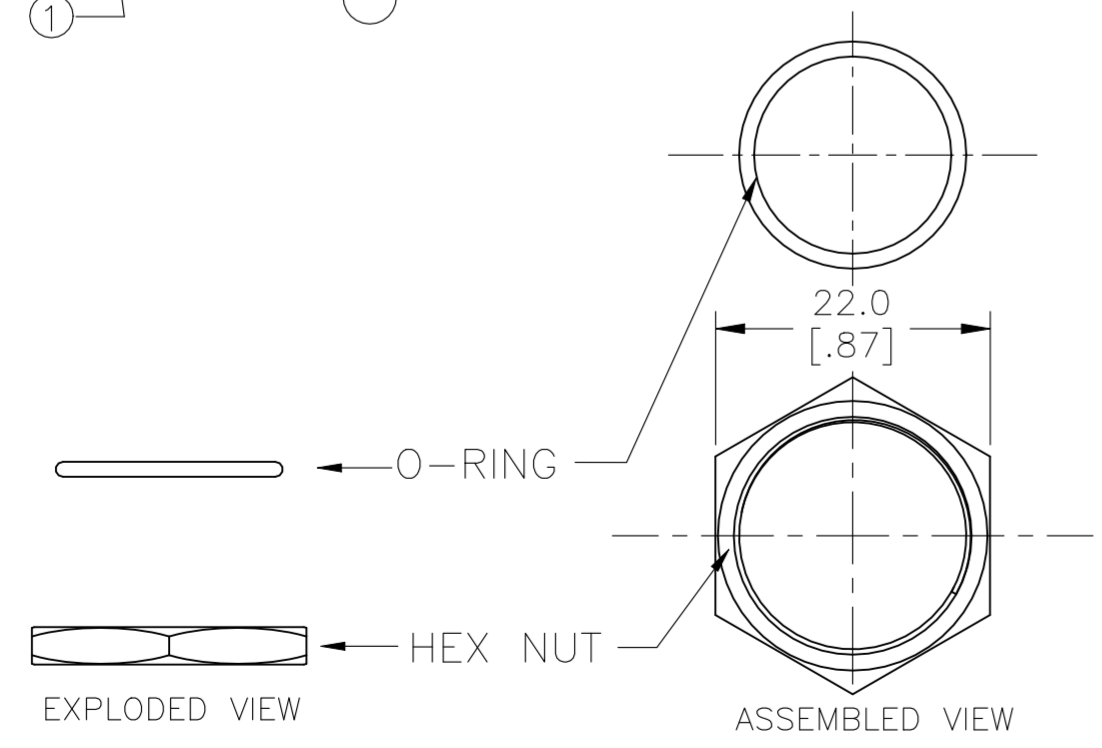
MATERIALS

BUSHING: STAINLESS STEEL  
 BASE: PBT (UL 94-V0), PC (UL 94-V2)  
 ACTUATOR: STAINLESS STEEL, PC  
 SEALING: O-RING (SILICONE)  
 TERMINAL/CONTACT: COPPER BASE, SILVER/GOLD PLATED  
 HEX NUT: BRASS BASE, NICKEL PLATED

1 ALL MATERIAL AND FINISHES SHALL COMPLY WITH EU DIRECTIVE 2002/95/EC OF 27JAN2003 (ROHS)



ILLUMINATED POWER LOGO



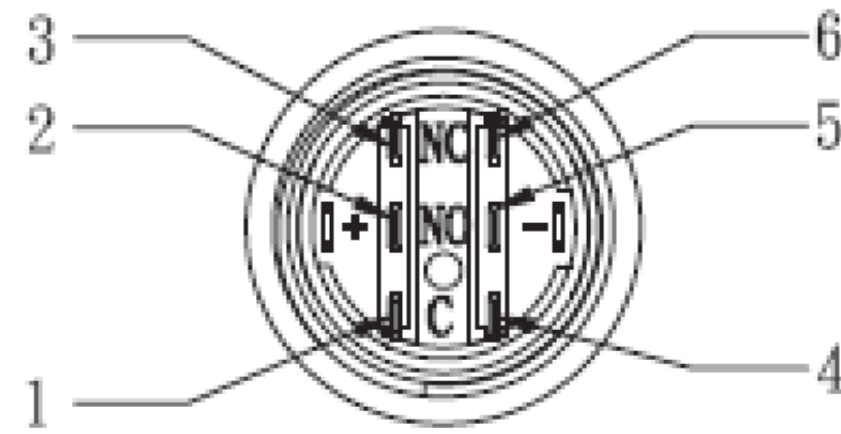
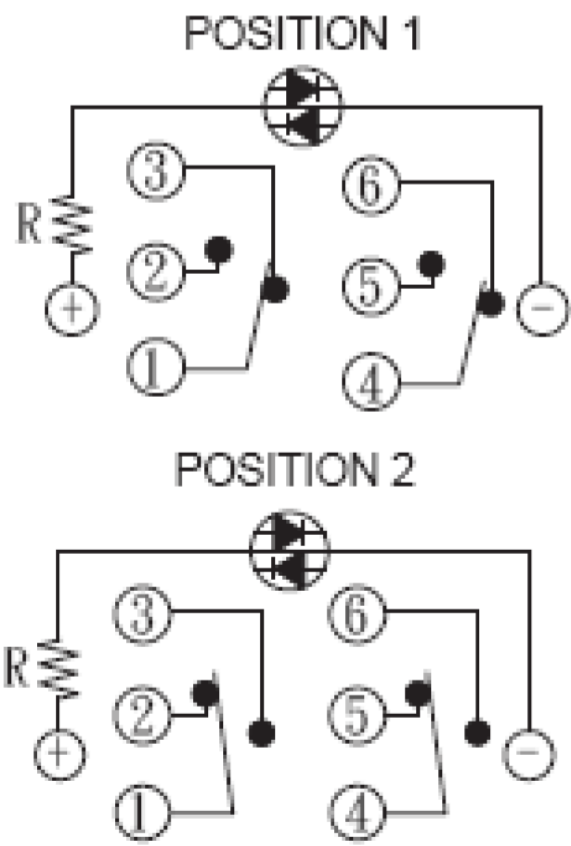
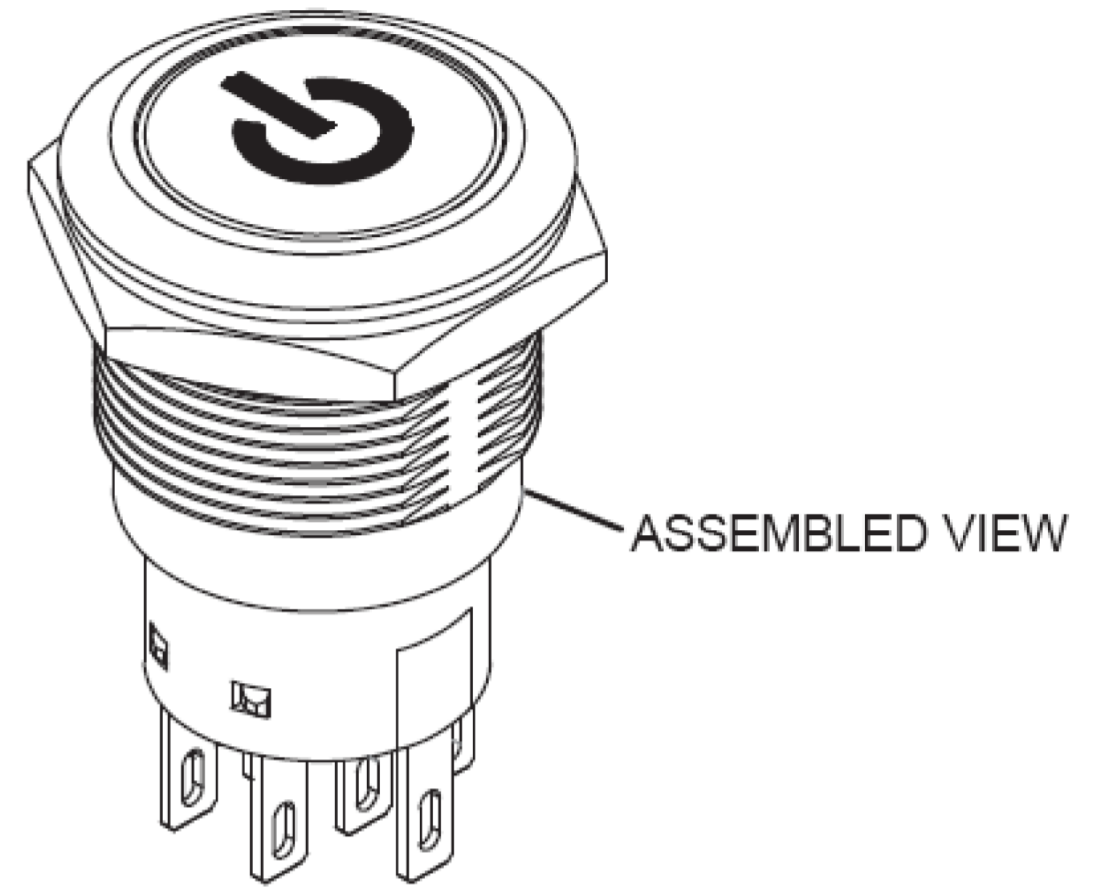
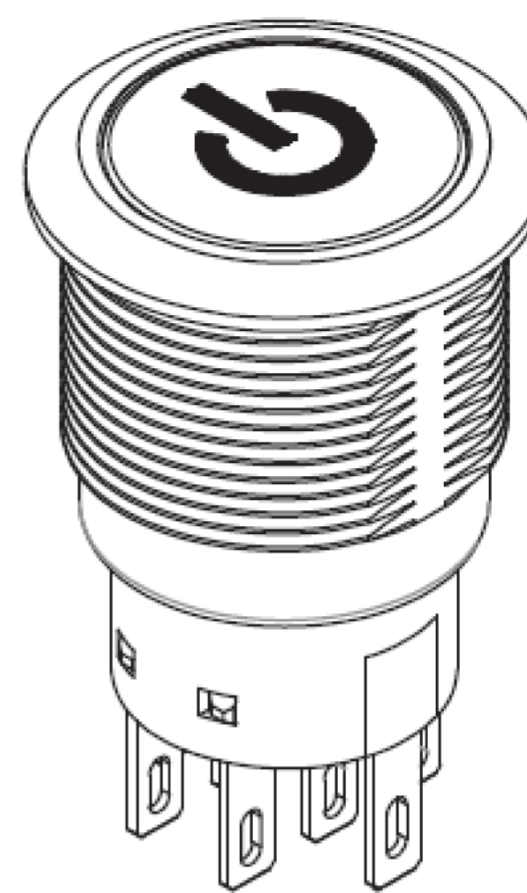
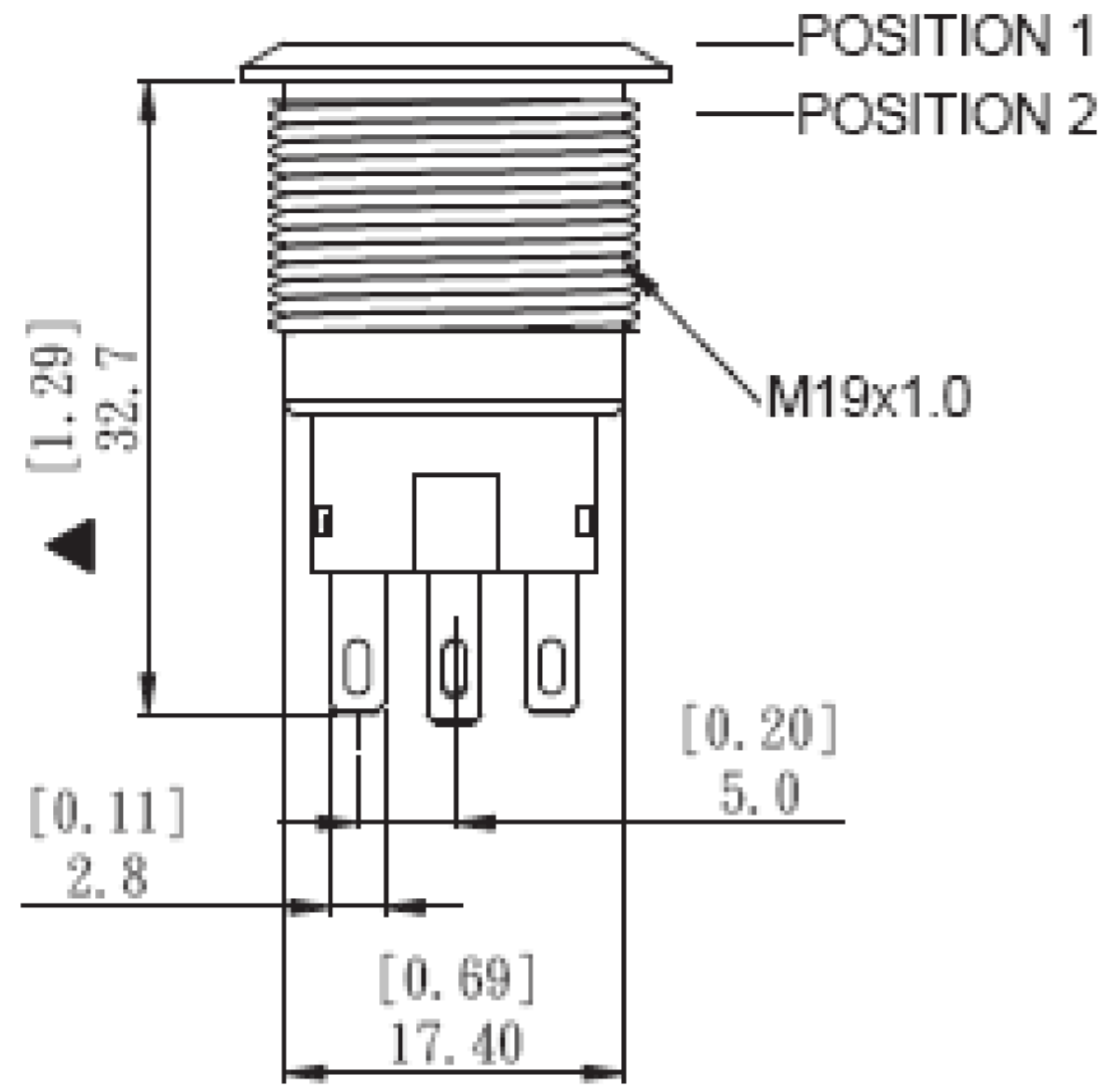
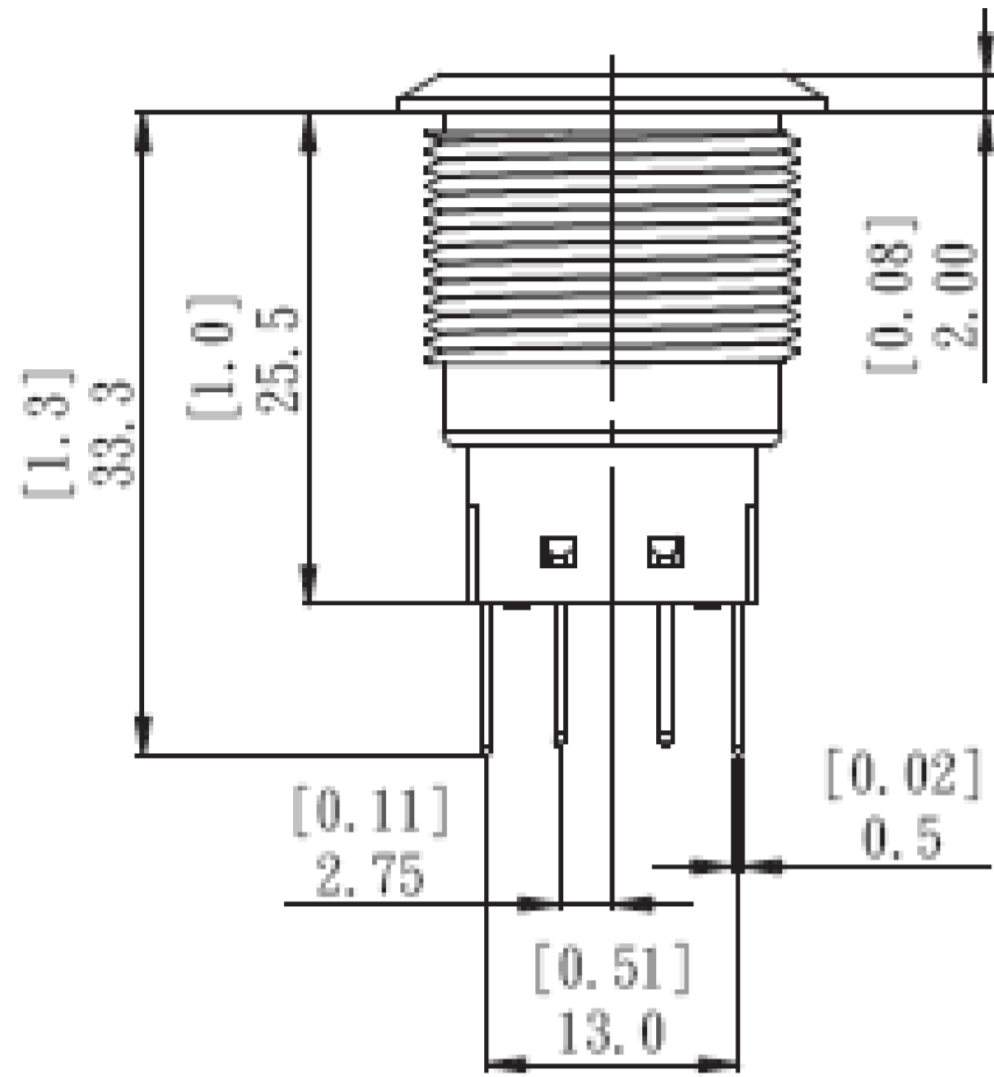
EXPLODED VIEW

ASSEMBLED VIEW

|  |  |                                   |   |                    |
|--|--|-----------------------------------|---|--------------------|
| THIS DRAWING IS A CONTROLLED DOCUMENT. |  | DWN<br>NAGALAKSHMI K<br>08FEB2016 | <b>STE</b> TE Connectivity                        |                    |
| DIMENSIONS:<br>mm [INCHES]             |  | CHK<br>HILL RYAN<br>08FEB2016     |   |                    |
| TOLERANCES UNLESS OTHERWISE SPECIFIED: |  | APVD<br>HILL RYAN<br>08FEB2016    | NAME<br>ANTI-VANDAL SWITCH 19mm<br>POWER LOGO LED |                    |
| 0 PLC ± -                              |  | PRODUCT SPEC                      | SIZE<br>A2  | CAGE CODE<br>00779 |
| 1 PLC ± -                              |  | APPLICATION SPEC                  | DRAWING NO<br>C=2213766                           | RESTRICTED TO<br>- |
| 2 PLC ± -                              |  |                                   | SCALE<br>6:1                                      | SHEET<br>1 of 3    |
| 3 PLC ± -                              |  |                                   | REV<br>C  |                    |
| 4 PLC ± -                              |  |                                   |   |                    |
| ANGLES ± -                             |  |                                   |   |                    |
| FINISH                                 |  | WEIGHT<br>0                       |   |                    |
| MATERIAL                               |  | CUSTOMER DRAWING                  |   |                    |

THIS DRAWING IS UNPUBLISHED. RELEASED FOR PUBLICATION  
 © COPYRIGHT - By - ALL RIGHTS RESERVED.


| REVISIONS |     |             |      |     |      |
|-----------|-----|-------------|------|-----|------|
| P         | LTR | DESCRIPTION | DATE | DWN | APVD |
| -         | -   | SEE SHEET 1 | -    | -   | -    |



|  |  |                                |   |           |            |
|--|--|--------------------------------|---|-----------|------------|
| THIS DRAWING IS A CONTROLLED DOCUMENT. |  | DWN 08FEB2016<br>NAGALAKSHMI K |   |           |            |
| DIMENSIONS:<br>mm [INCHES]             |  | CHK 08FEB2016<br>HILL RYAN     |   |           |            |
| TOLERANCES UNLESS OTHERWISE SPECIFIED: |  | APVD 08FEB2016<br>HILL RYAN    | NAME                                      |           |            |
| 0 PLC ± -                              |  | PRODUCT SPEC                   | ANTI-VANDAL SWITCH 19mm<br>POWER LOGO LED |           |            |
| 1 PLC ± -                              |  | APPLICATION SPEC               | SIZE                                      | CAGE CODE | DRAWING NO |
| 2 PLC ± -                              |  | WEIGHT                         | A2  | 00779     | C=2213766  |
| 3 PLC ± -                              |  | CUSTOMER DRAWING               | RESTRICTED TO                             |           |            |
| 4 PLC ± -                              |  | SCALE                          | SHEET 2 OF 3                              |           |            |
| ANGLES ± -                             |  | FINISH                         | REV C                                     |           |            |
| MATERIAL                               |  | NTS                            |   |           |            |

| THIS DRAWING IS UNPUBLISHED. |         | RELEASED FOR PUBLICATION |             |                   |                | REVISIONS |     |             |  |  |      |     |      |
|------------------------------|---------|--------------------------|-------------|-------------------|----------------|-----------|-----|-------------|--|--|------|-----|------|
| © COPYRIGHT - By -           |         | ALL RIGHTS RESERVED.     |             |                   |                | P         | LTR | DESCRIPTION |  |  | DATE | DWN | APVD |
| DOUBLE POLE-MOMENTARY        | SILVER  | WHITE                    | 24V         | AV1920P124Q04     | 4-2213766-3    |           |     | SEE SHEET 1 |  |  | -    | -   | -    |
|                              | GOLD    | WHITE                    | 12V         | AV1920P112R04     | 4-2213766-2    |           |     |             |  |  |      |     |      |
|                              | SILVER  | WHITE                    | 12V         | AV1920P112Q04     | 4-2213766-1    |           |     |             |  |  |      |     |      |
| SINGLE POLE-LOCKING          | GOLD    | BLUE                     | 24V         | AV1911P724R04     | 4-2213766-0    |           |     |             |  |  |      |     |      |
|                              | SILVER  | BLUE                     | 24V         | AV1911P724Q04     | 3-2213766-9    |           |     |             |  |  |      |     |      |
|                              | GOLD    | BLUE                     | 12V         | AV1911P712R04     | 3-2213766-8    |           |     |             |  |  |      |     |      |
|                              | SILVER  | BLUE                     | 12V         | AV1911P712Q04     | 3-2213766-7    |           |     |             |  |  |      |     |      |
|                              | GOLD    | GREEN                    | 24V         | AV1911P624R04     | 3-2213766-6    |           |     |             |  |  |      |     |      |
|                              | SILVER  | GREEN                    | 24V         | AV1911P624Q04     | 3-2213766-5    |           |     |             |  |  |      |     |      |
|                              | GOLD    | GREEN                    | 12V         | AV1911P612R04     | 3-2213766-4    |           |     |             |  |  |      |     |      |
|                              | SILVER  | GREEN                    | 12V         | AV1911P612Q04     | 3-2213766-3    |           |     |             |  |  |      |     |      |
|                              | GOLD    | YELLOW                   | 24V         | AV1911P524R04     | 3-2213766-2    |           |     |             |  |  |      |     |      |
|                              | SILVER  | YELLOW                   | 24V         | AV1911P524Q04     | 3-2213766-1    |           |     |             |  |  |      |     |      |
|                              | GOLD    | YELLOW                   | 12V         | AV1911P512R04     | 3-2213766-0    |           |     |             |  |  |      |     |      |
|                              | SILVER  | YELLOW                   | 12V         | AV1911P512Q04     | 2-2213766-9    |           |     |             |  |  |      |     |      |
|                              | GOLD    | RED                      | 24V         | AV1911P324R04     | 2-2213766-8    |           |     |             |  |  |      |     |      |
|                              | SILVER  | RED                      | 24V         | AV1911P324Q04     | 2-2213766-7    |           |     |             |  |  |      |     |      |
|                              | GOLD    | RED                      | 12V         | AV1911P312R04     | 2-2213766-6    |           |     |             |  |  |      |     |      |
|                              | SILVER  | RED                      | 12V         | AV1911P312Q04     | 2-2213766-5    |           |     |             |  |  |      |     |      |
|                              | GOLD    | WHITE                    | 24V         | AV1911P124R04     | 2-2213766-4    |           |     |             |  |  |      |     |      |
|                              | SILVER  | WHITE                    | 24V         | AV1911P124Q04     | 2-2213766-3    |           |     |             |  |  |      |     |      |
|                              | GOLD    | WHITE                    | 12V         | AV1911P112R04     | 2-2213766-2    |           |     |             |  |  |      |     |      |
|                              | SILVER  | WHITE                    | 12V         | AV1911P112Q04     | 2-2213766-1    |           |     |             |  |  |      |     |      |
| SINGLE POLE-MOMENTARY        | GOLD    | BLUE                     | 24V         | AV1910P724R04     | 2-2213766-0    |           |     |             |  |  |      |     |      |
|                              | SILVER  | BLUE                     | 24V         | AV1910P724Q04     | 1-2213766-9    |           |     |             |  |  |      |     |      |
|                              | GOLD    | BLUE                     | 12V         | AV1910P712R04     | 1-2213766-8    |           |     |             |  |  |      |     |      |
|                              | SILVER  | BLUE                     | 12V         | AV1910P712Q04     | 1-2213766-7    |           |     |             |  |  |      |     |      |
|                              | GOLD    | GREEN                    | 24V         | AV1910P624R04     | 1-2213766-6    |           |     |             |  |  |      |     |      |
|                              | SILVER  | GREEN                    | 24V         | AV1910P624Q04     | 1-2213766-5    |           |     |             |  |  |      |     |      |
|                              | GOLD    | GREEN                    | 12V         | AV1910P612R04     | 1-2213766-4    |           |     |             |  |  |      |     |      |
|                              | SILVER  | GREEN                    | 12V         | AV1910P612Q04     | 1-2213766-3    |           |     |             |  |  |      |     |      |
|                              | GOLD    | YELLOW                   | 24V         | AV1910P524R04     | 1-2213766-2    |           |     |             |  |  |      |     |      |
|                              | SILVER  | YELLOW                   | 24V         | AV1910P524Q04     | 1-2213766-1    |           |     |             |  |  |      |     |      |
|                              | GOLD    | YELLOW                   | 12V         | AV1910P512R04     | 1-2213766-0    |           |     |             |  |  |      |     |      |
|                              | SILVER  | YELLOW                   | 12V         | AV1910P512Q04     | 2213766-9      |           |     |             |  |  |      |     |      |
|                              | GOLD    | RED                      | 24V         | AV1910P324R04     | 2213766-8      |           |     |             |  |  |      |     |      |
|                              | SILVER  | RED                      | 24V         | AV1910P324Q04     | 2213766-7      |           |     |             |  |  |      |     |      |
|                              | GOLD    | RED                      | 12V         | AV1910P312R04     | 2213766-6      |           |     |             |  |  |      |     |      |
|                              | SILVER  | RED                      | 12V         | AV1910P312Q04     | 2213766-5      |           |     |             |  |  |      |     |      |
|                              | GOLD    | WHITE                    | 24V         | AV1910P124R04     | 2213766-4      |           |     |             |  |  |      |     |      |
|                              | SILVER  | WHITE                    | 24V         | AV1910P124Q04     | 2213766-3      |           |     |             |  |  |      |     |      |
|                              | GOLD    | WHITE                    | 12V         | AV1910P112R04     | 2213766-2      |           |     |             |  |  |      |     |      |
|                              | SILVER  | WHITE                    | 12V         | AV1910P112Q04     | 2213766-1      |           |     |             |  |  |      |     |      |
| POLE/THROW                   | CONTACT | LED COLOUR               | LED VOLTAGE | TE DESCRIPTIVE PN | TE PART NUMBER |           |     |             |  |  |      |     |      |

| THIS DRAWING IS UNPUBLISHED. |        | RELEASED FOR PUBLICATION |     |               |             | REVISIONS |     |             |  |  |      |     |      |
|------------------------------|--------|--------------------------|-----|---------------|-------------|-----------|-----|-------------|--|--|------|-----|------|
| © COPYRIGHT - By -           |        | ALL RIGHTS RESERVED.     |     |               |             | P         | LTR | DESCRIPTION |  |  | DATE | DWN | APVD |
| DOUBLE POLE-LOCKING          | GOLD   | BLUE                     | 24V | AV1921P724R04 | 8-2213766-0 |           |     |             |  |  |      |     |      |
|                              | SILVER | BLUE                     | 24V | AV1921P724Q04 | 7-2213766-9 |           |     |             |  |  |      |     |      |
|                              | GOLD   | BLUE                     | 12V | AV1921P712R04 | 7-2213766-8 |           |     |             |  |  |      |     |      |
|                              | SILVER | BLUE                     | 12V | AV1921P712Q04 | 7-2213766-7 |           |     |             |  |  |      |     |      |
|                              | GOLD   | GREEN                    | 24V | AV1921P624R04 | 7-2213766-6 |           |     |             |  |  |      |     |      |
|                              | SILVER | GREEN                    | 24V | AV1921P624Q04 | 7-2213766-5 |           |     |             |  |  |      |     |      |
|                              | GOLD   | GREEN                    | 12V | AV1921P612R04 | 7-2213766-4 |           |     |             |  |  |      |     |      |
|                              | SILVER | GREEN                    | 12V | AV1921P612Q04 | 7-2213766-3 |           |     |             |  |  |      |     |      |
|                              | GOLD   | YELLOW                   | 24V | AV1921P524R04 | 7-2213766-2 |           |     |             |  |  |      |     |      |
|                              | SILVER | YELLOW                   | 24V | AV1921P524Q04 | 7-2213766-1 |           |     |             |  |  |      |     |      |
|                              | GOLD   | YELLOW                   | 12V | AV1921P512R04 | 7-2213766-0 |           |     |             |  |  |      |     |      |
|                              | SILVER | YELLOW                   | 12V | AV1921P512Q04 | 6-2213766-9 |           |     |             |  |  |      |     |      |
|                              | GOLD   | RED                      | 24V | AV1921P324R04 | 6-2213766-8 |           |     |             |  |  |      |     |      |
|                              | SILVER | RED                      | 24V | AV1921P324Q04 | 6-2213766-7 |           |     |             |  |  |      |     |      |
|                              | GOLD   | RED                      | 12V | AV1921P312R04 | 6-2213766-6 |           |     |             |  |  |      |     |      |
|                              | SILVER | RED                      | 12V | AV1921P312Q04 | 6-2213766-5 |           |     |             |  |  |      |     |      |
|                              | GOLD   | WHITE                    | 24V | AV1921P124R04 | 6-2213766-4 |           |     |             |  |  |      |     |      |
|                              | SILVER | WHITE                    | 24V | AV1921P124Q04 | 6-2213766-3 |           |     |             |  |  |      |     |      |
|                              | GOLD   | WHITE                    | 12V | AV1921P112R04 | 6-2213766-2 |           |     |             |  |  |      |     |      |
|                              | SILVER | WHITE                    | 12V | AV1921P112Q04 | 6-2213766-1 |           |     |             |  |  |      |     |      |
| DOUBLE POLE-MOMENTARY        | GOLD   | BLUE                     | 24V | AV1920P724R04 | 6-2213766-0 |           |     |             |  |  |      |     |      |
|                              | SILVER | BLUE                     | 24V | AV1920P724Q04 | 5-2213766-9 |           |     |             |  |  |      |     |      |
|                              | GOLD   | BLUE                     | 12V | AV1920P712R04 | 5-2213766-8 |           |     |             |  |  |      |     |      |
|                              | SILVER | BLUE                     | 12V | AV1920P712Q04 | 5-2213766-7 |           |     |             |  |  |      |     |      |
|                              | GOLD   | GREEN                    | 24V | AV1920P624R04 | 5-2213766-6 |           |     |             |  |  |      |     |      |
|                              | SILVER | GREEN                    | 24V | AV1920P624Q04 | 5-2213766-5 |           |     |             |  |  |      |     |      |
|                              | GOLD   | GREEN                    | 12V | AV1920P612R04 | 5-2213766-4 |           |     |             |  |  |      |     |      |
|                              | SILVER | GREEN                    | 12V | AV1920P612Q04 | 5-2213766-3 |           |     |             |  |  |      |     |      |
|                              | GOLD   | YELLOW                   | 24V | AV1920P524R04 | 5-2213766-2 |           |     |             |  |  |      |     |      |
|                              | SILVER | YELLOW                   | 24V | AV1920P524Q04 | 5-2213766-1 |           |     |             |  |  |      |     |      |
|                              | GOLD   | YELLOW                   | 12V | AV1920P512R04 | 5-2213766-0 |           |     |             |  |  |      |     |      |
|                              | SILVER | YELLOW                   | 12V | AV1920P512Q04 | 4-2213766-9 |           |     |             |  |  |      |     |      |
|                              | GOLD   | RED                      | 24V | AV1920P324R04 | 4-2213766-8 |           |     |             |  |  |      |     |      |
|                              | SILVER | RED                      | 24V | AV1920P324Q04 | 4-2213766-7 |           |     |             |  |  |      |     |      |
|                              | GOLD   | RED                      | 12V | AV1920P312R04 | 4-2213766-6 |           |     |             |  |  |      |     |      |
|                              | SILVER | RED                      | 12V | AV1920P312Q04 | 4-2213766-5 |           |     |             |  |  |      |     |      |
|                              | GOLD   | WHITE                    | 24V | AV1920P124R04 | 4-2213766-4 |           |     |             |  |  |      |     |      |

|   |        |   |           |   |           |
|---|--------|---|-----------|---|-----------|
| THIS DRAWING IS A CONTROLLED DOCUMENT.                                      |        | DWN   | 08FEB2016 |  TE Connectivity |           |
| DIMENSIONS: mm [INCHES]   |        | CHK   | 08FEB2016 |   |           |
| TOLERANCES UNLESS OTHERWISE SPECIFIED:                                      |        | NAME  |           |   |           |
| 0 PLC ± -<br>1 PLC ± -<br>2 PLC ± -<br>3 PLC ± -<br>4 PLC ± -<br>ANGLES ± - |        | NAGALAKSHMI K<br>HILL RYAN<br>HILL RYAN<br>PRODUCT SPEC |           |   |           |
| MATERIAL  | FINISH | APPLICATION SPEC  |           | ANTI-VANDAL SWITCH 19mm POWER LOGO LED  |           |
|   |        | WEIGHT  | -         | SIZE  | A2        |
|   |        | CUSTOMER DRAWING  |           | CAGE CODE   | 00779     |
|   |        |   |           | DRAWING NO  | C-2213766 |
|   |        |   |           | RESTRICTED TO   | -         |
|   |        |   |           | SCALE   | NTS       |
|   |        |   |           | SHEET   | 3 of 3    |
|   |        |   |           | REV   | C         |

2213766

A

## X-ON Electronics

Largest Supplier of Electrical and Electronic Components

*Click to view similar products for [Pushbutton Switches](#) category:*

*Click to view products by [TE Connectivity](#) manufacturer:*

Other Similar products are found below :

[8940K2012](#) [LW1L-M1C10V-A](#) [LW1L-M1C70-A](#) [LW2L-A1C20M-GD](#) [LW2L-M1C20M-A](#) [60324L](#) [M22-D-R-GB0/K11](#) [M7E-HRN2](#)  
[67021K512](#) [67081K512X](#) [701PB580](#) [7199K101](#) [810K12910](#) [810KSV30B](#) [MML21EA2ADK](#) [MML21KA3ABK](#) [MML23KA3AC05K-001](#)  
[MML23KW3AA01W](#) [8418K2](#) [8442K3](#) [8450K1](#) [860K11911T01A](#) [861901](#) [861K11911T01A07](#) [861K13810T00A14](#) [861K13911](#)  
[8646AB6X718UL](#) [8646ABUL](#) [9001KXRK](#) [907AYY100](#) [PMHD155A1](#) [9533CD4+U574+U4922](#) [95-414.000](#) [99-450.837](#) [99-453.837](#)  
[PV3H2B0NN-341](#) [1203MRA](#) [A22NZBGANGA](#) [A22NZBNANGA](#) [A22NZMPATRA](#) [A2PMA1X03EC56](#) [A3A-5123-02](#) [A3A-7140](#) [A3A-7310](#) [A3A-7340](#) [A3U-TMW-A2C-5M](#) [A595](#) [12037A2ULCSA](#) [ABD122N-B](#) [1211390004](#)