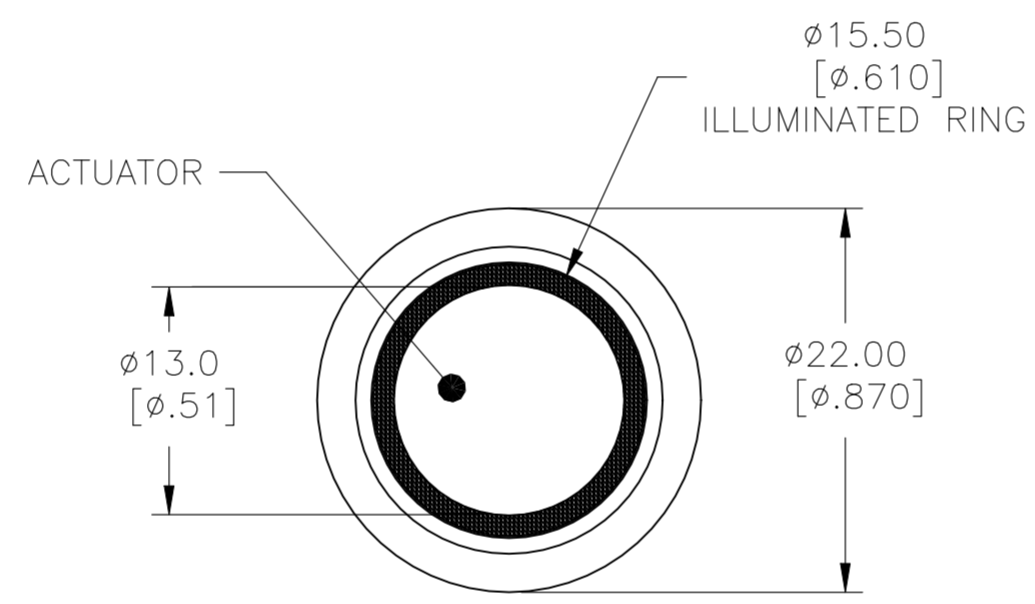
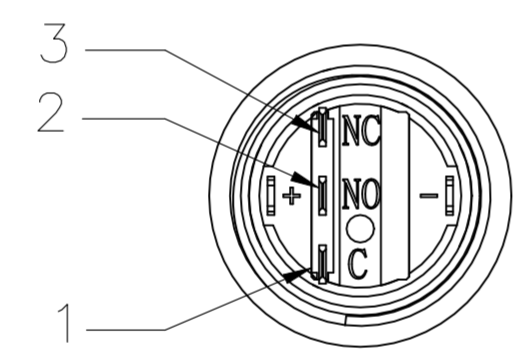
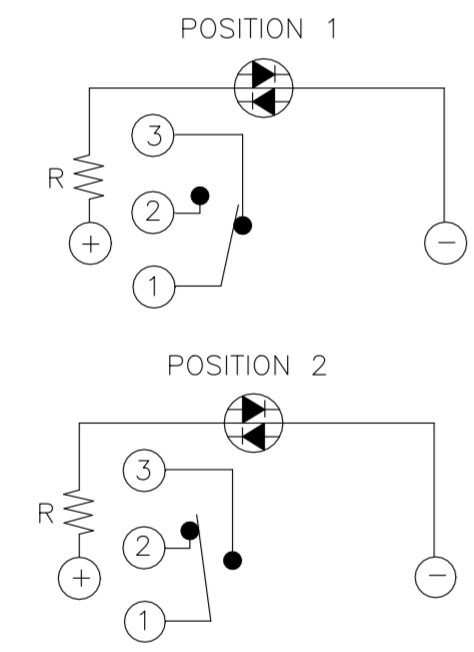
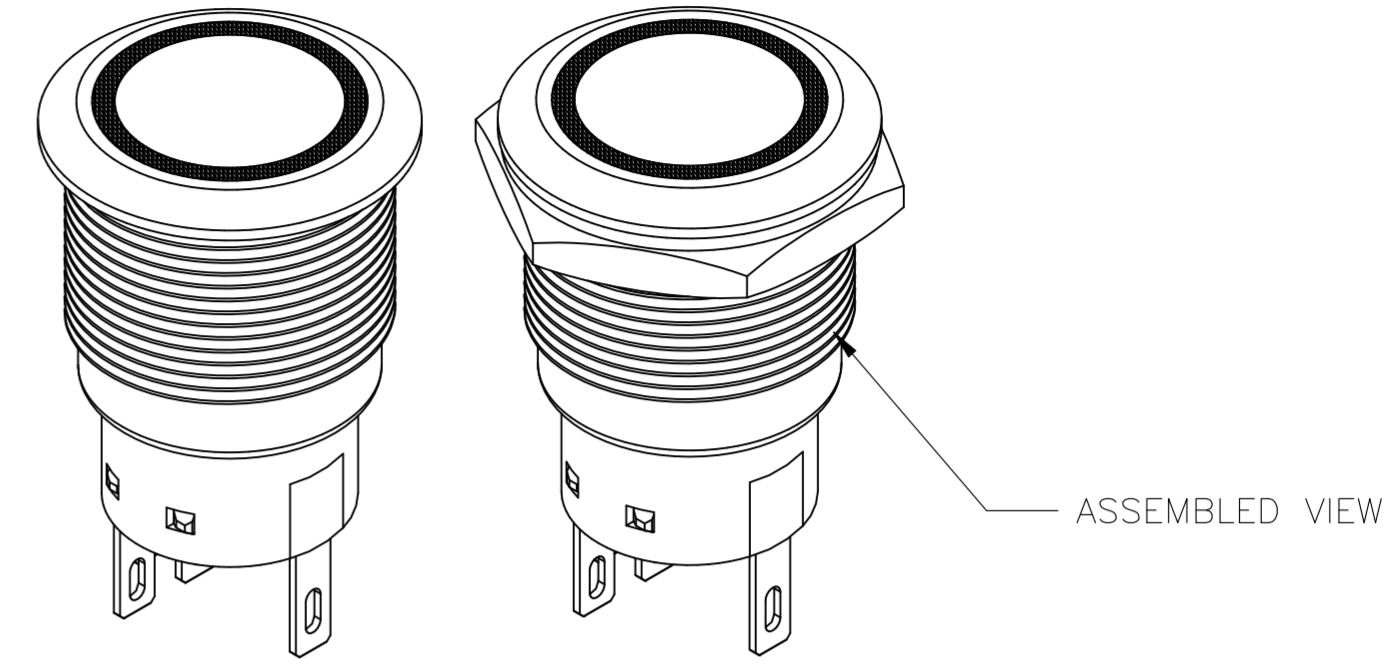
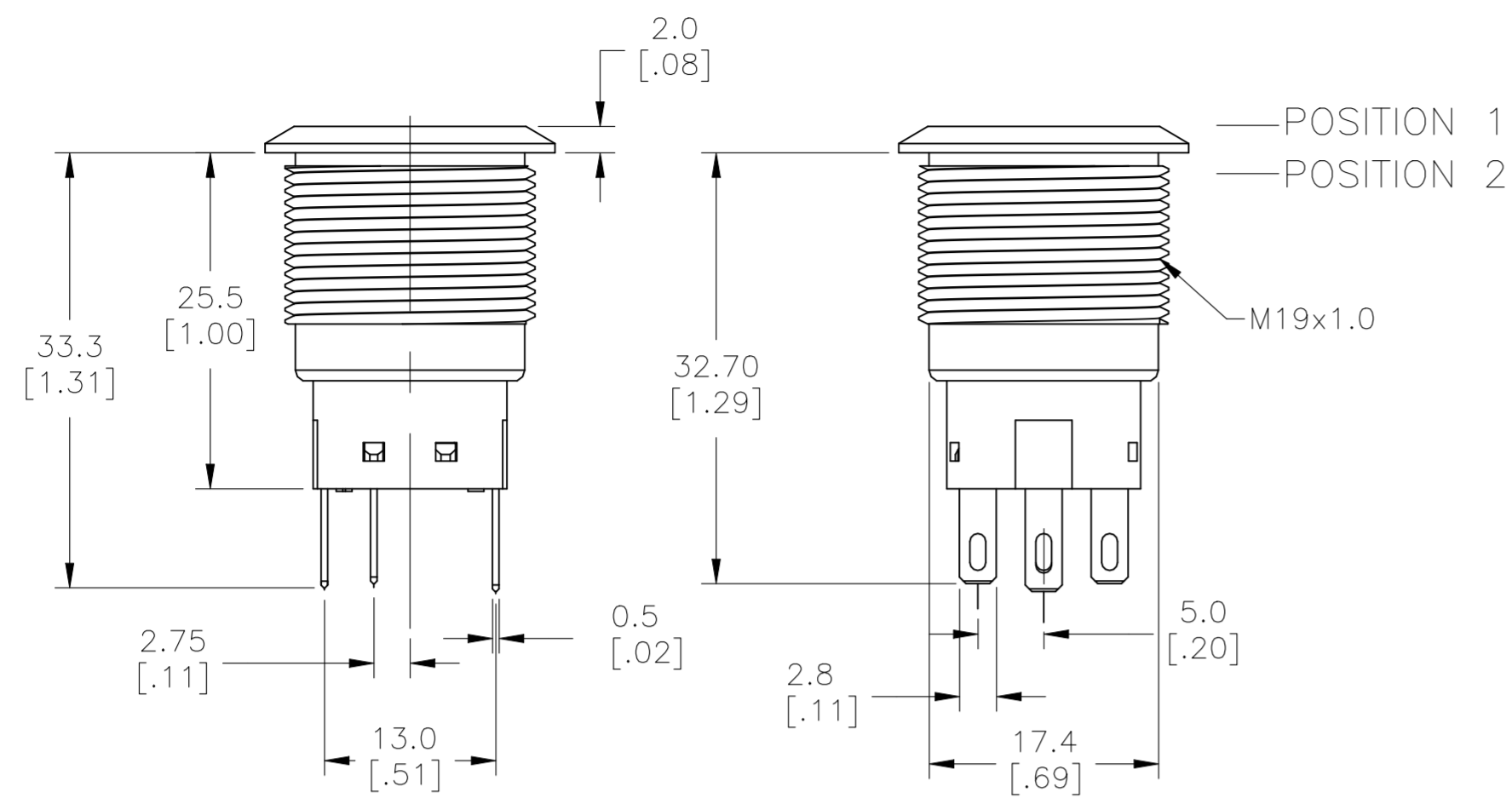


THIS DRAWING IS UNPUBLISHED. RELEASED FOR PUBLICATION  
 © COPYRIGHT - By - ALL RIGHTS RESERVED.

| REVISIONS |     |                           |           |     |      |
|-----------|-----|---------------------------|-----------|-----|------|
| P         | LTR | DESCRIPTION               | DATE      | DWN | APVD |
| B1        |     | REVISED PER ECR-21-006029 | 02SEP2021 | VG  | PO   |



SPECIFICATIONS

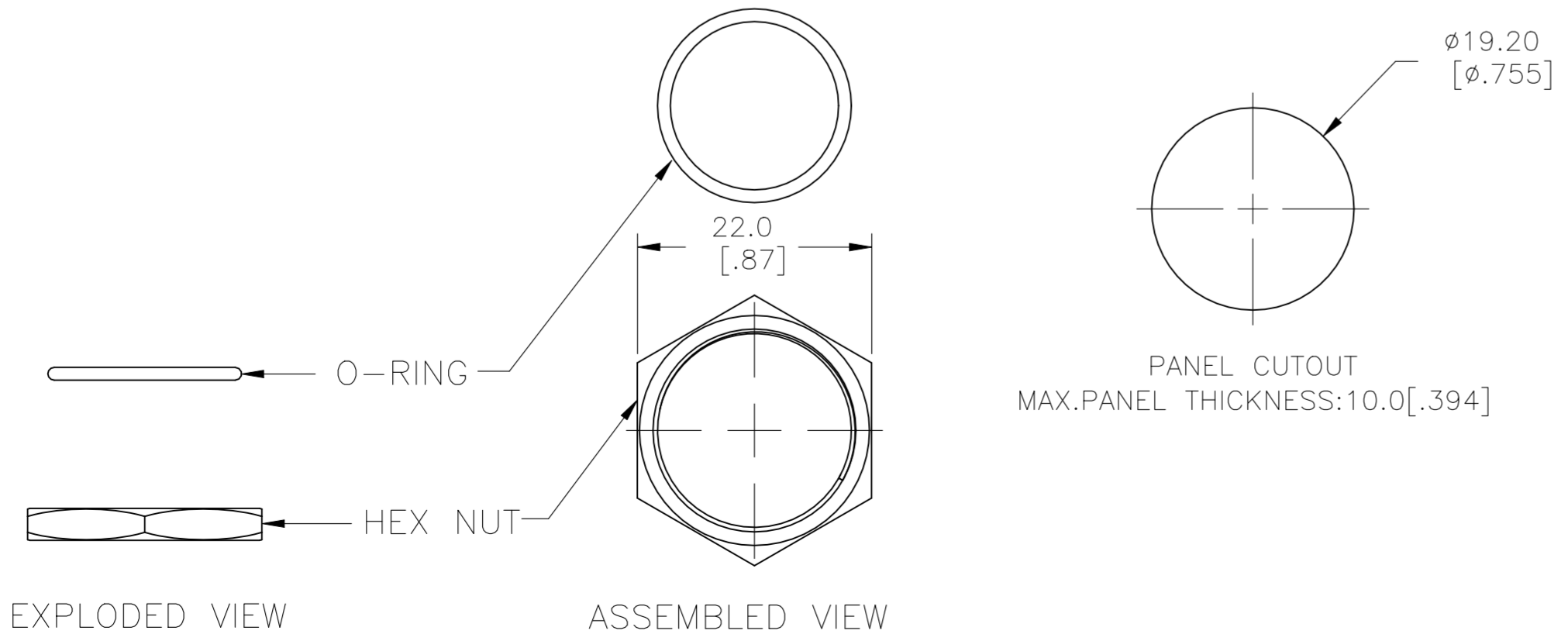
CONTACT RATING: SILVER: 3A @ 250 VAC RESISTIVE  
 GOLD: 0.4VA @ 20VDC OR PEAK AC  
 INSULATION RESISTANCE: 1,000MΩ MIN AT 500VDC  
 DIELECTRIC STRENGTH: 2,000V RMS @ SEA LEVEL  
 CONTACT RESISTANCE: 50 mΩ MAX @ 1A 12VDC (INITIAL VALUE)  
 ELECTRICAL LIFECYCLES: 50,000 MAKE AND BREAK CYCLES AT FULL LOAD

ACTUATION FORCE: SP: 2.5±1 NEWTON, DP: 3.5±1 NEWTON  
 ACTUATION TRAVEL: 3.2MM  
 SEALED PER IP67, IK10 (STAINLESS)  
 OPERATING TEMPERATURE: -20°C TO +55°C  
 MECHANICAL LIFECYCLES: MOMENTARY: 1,000,000 CYCLES  
 LOCKING: 500,000 CYCLES  
 HARDWARE TORQUE: 5-14 N-m

MATERIALS

BUSHING: STAINLESS STEEL  
 BASE: PBT (UL 94-V0), PC (UL 94-V2)  
 ACTUATOR: STAINLESS STEEL, PC  
 SEALING: O-RING (SILICONE)  
 TERMINAL/CONTACT: COPPER BASE, SILVER/GOLD PLATED  
 HEX NUT: BRASS BASE, NICKEL PLATED

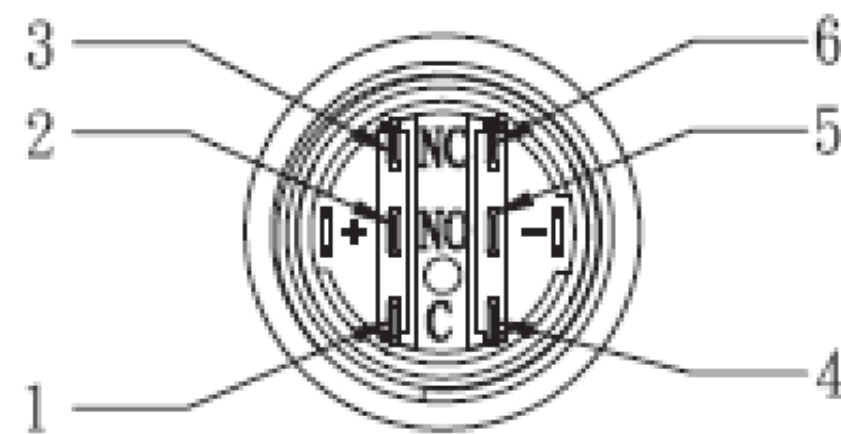
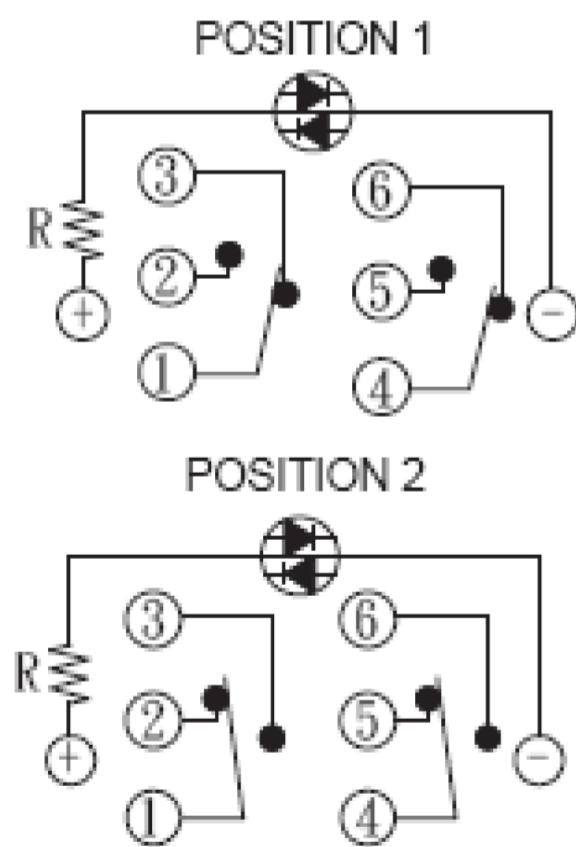
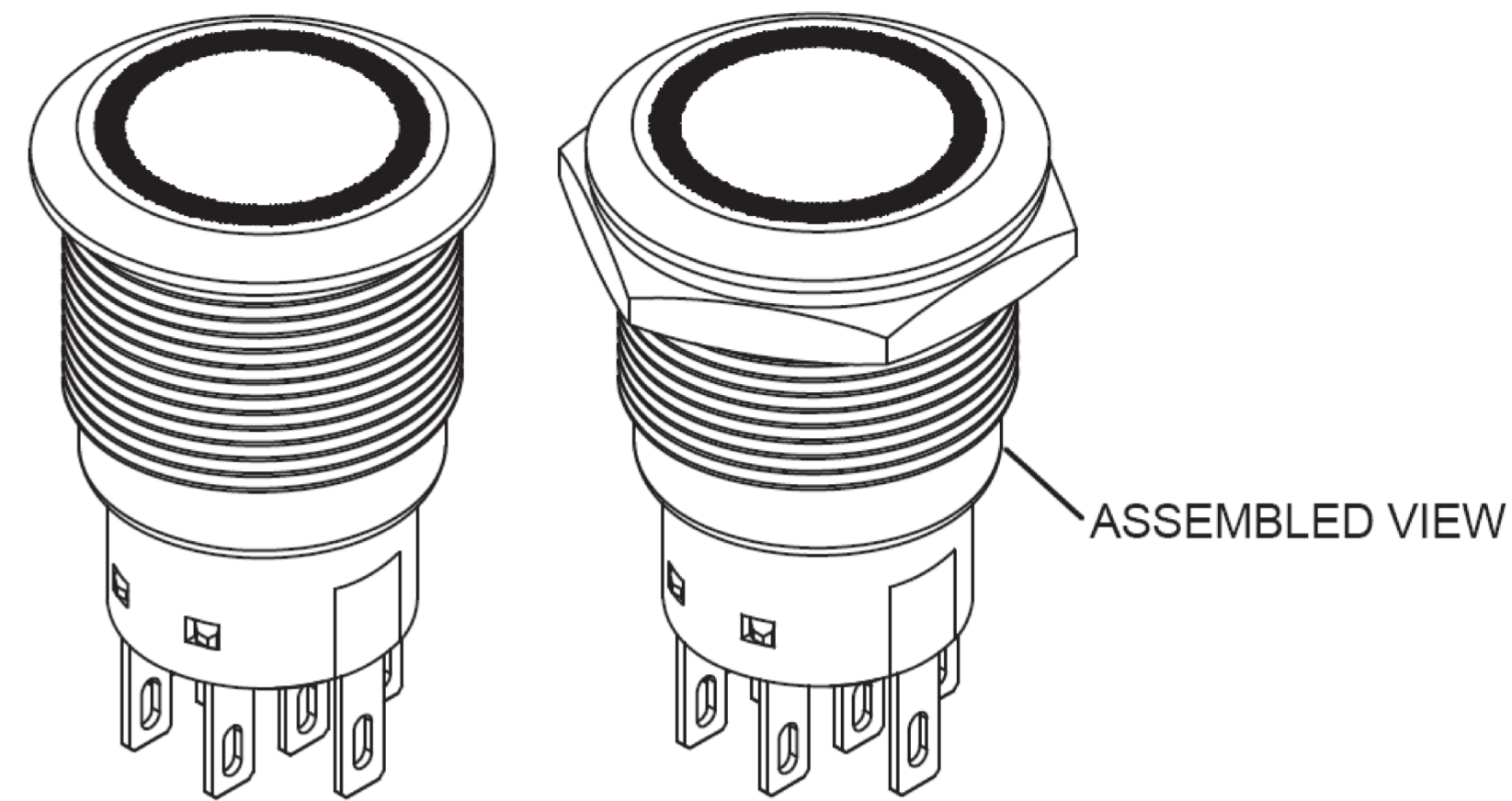
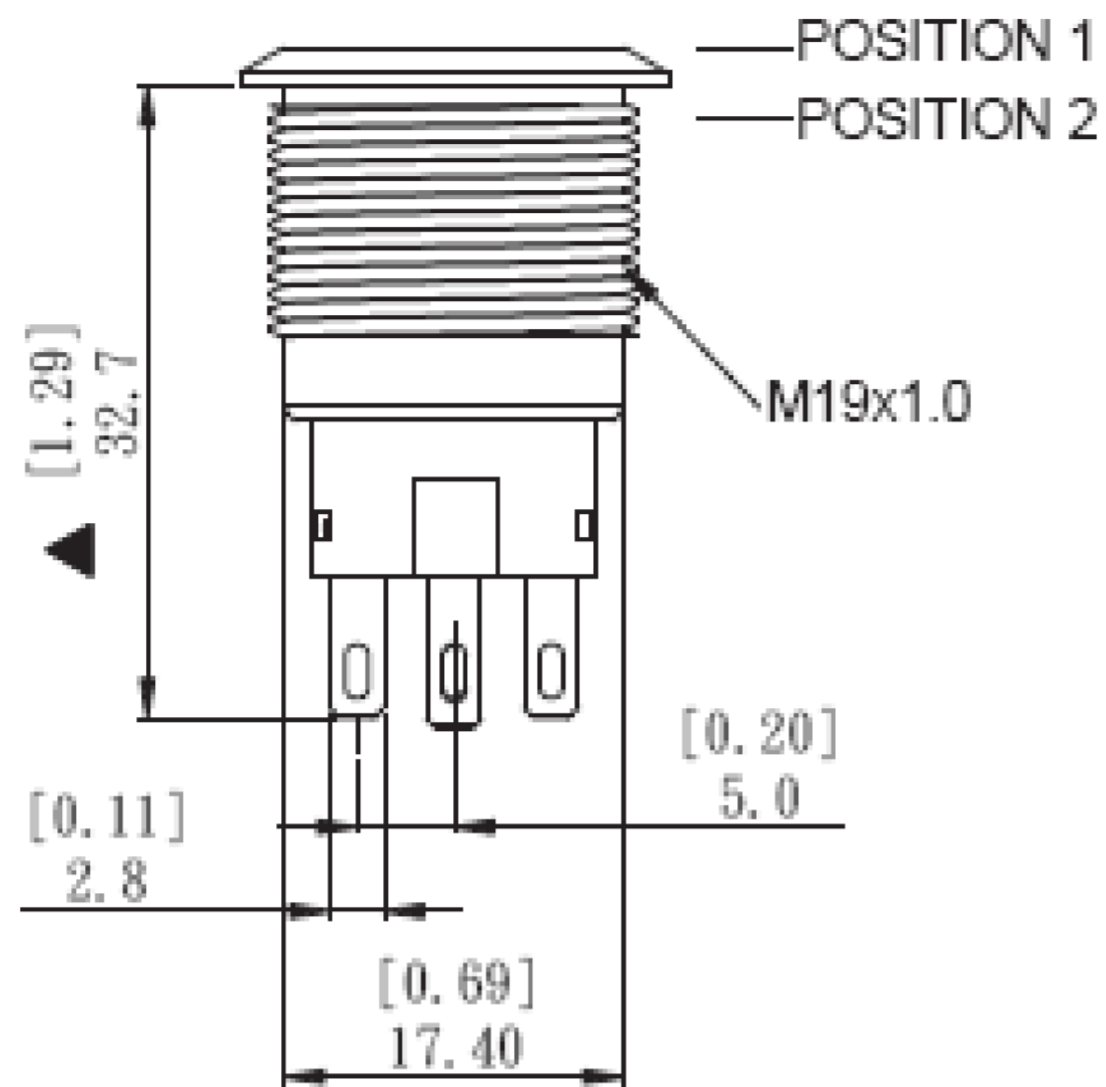
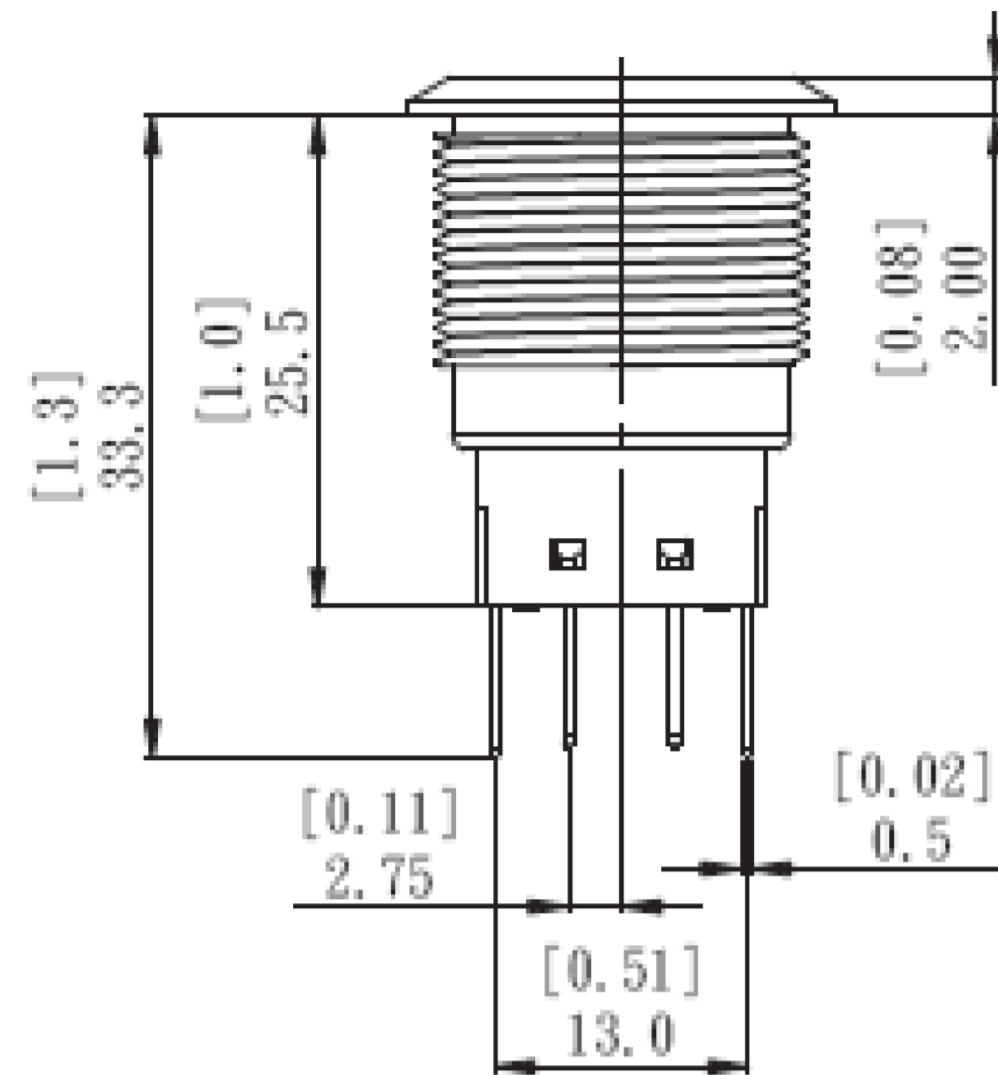
1 ALL MATERIAL AND FINISHES SHALL COMPLY WITH EU DIRECTIVE 2002/95/EC OF 27JAN2003 (ROHS)



|  |            |                                   |   |                         |
|--|------------|-----------------------------------|---|-------------------------|
| THIS DRAWING IS A CONTROLLED DOCUMENT. |            | DWN<br>NAGALAKSHMI K<br>06FEB2016 | TE Connectivity                                   |                         |
| DIMENSIONS:<br>mm [INCHES]             |            | CHK<br>HILL RYAN<br>06FEB2016     |   |                         |
| TOLERANCES UNLESS OTHERWISE SPECIFIED: |            | APVD<br>HILL RYAN<br>06FEB2016    | NAME<br>ANTI-VANDAL SWITCH 19mm<br>FIXED RING LED |                         |
| 0 PLC ± -                              | 1 PLC ± -  | PRODUCT SPEC                      | SIZE<br>A2  |                         |
| 2 PLC ± -                              | 3 PLC ± -  | APPLICATION SPEC                  | CAGE CODE<br>00779                                | DRAWING NO<br>C=2213764 |
| 4 PLC ± -                              | ANGLES ± - |                                   | RESTRICTED TO                                     |                         |
| MATERIAL                               | FINISH     | WEIGHT<br>0                       | SCALE<br>1:1                                      | SHEET<br>1 OF 4         |
|  |            | CUSTOMER DRAWING                  | REV<br>B1   |                         |

THIS DRAWING IS UNPUBLISHED. RELEASED FOR PUBLICATION  
 © COPYRIGHT - By - ALL RIGHTS RESERVED.

| REVISIONS |     |             |      |     |      |
|-----------|-----|-------------|------|-----|------|
| P         | LTR | DESCRIPTION | DATE | DWN | APVD |
| -         | -   | SEE SHEET 1 | -    | -   | -    |




|  |   |                                |   |     |       |           |   |       |   |   |       |   |   |       |   |   |        |   |   |              |      |           |            |               |
|--|---|--------------------------------|---|-----|-------|-----------|---|-------|---|---|-------|---|---|-------|---|---|--------|---|---|--------------|------|-----------|------------|---------------|
| THIS DRAWING IS A CONTROLLED DOCUMENT.   |   | DWN 06FEB2016<br>NAGALAKSHMI K |   |     |       |           |   |       |   |   |       |   |   |       |   |   |        |   |   |              |      |           |            |               |
| DIMENSIONS:<br>mm [INCHES]   |   | CHK 06FEB2016<br>HILL RYAN     |   |     |       |           |   |       |   |   |       |   |   |       |   |   |        |   |   |              |      |           |            |               |
| TOLERANCES UNLESS OTHERWISE SPECIFIED:   |   | APVD 06FEB2016<br>HILL RYAN    | NAME<br>ANTI-VANDAL SWITCH 19MM<br>FIXED RING LED |     |       |           |   |       |   |   |       |   |   |       |   |   |        |   |   |              |      |           |            |               |
| <table border="1"> <tr><td>0 PLC</td><td>±</td><td>-</td></tr> <tr><td>1 PLC</td><td>±</td><td>-</td></tr> <tr><td>2 PLC</td><td>±</td><td>-</td></tr> <tr><td>3 PLC</td><td>±</td><td>-</td></tr> <tr><td>4 PLC</td><td>±</td><td>-</td></tr> <tr><td>ANGLES</td><td>±</td><td>-</td></tr> </table> |   | 0 PLC                          | ±   | -   | 1 PLC | ±         | - | 2 PLC | ± | - | 3 PLC | ± | - | 4 PLC | ± | - | ANGLES | ± | - | PRODUCT SPEC | SIZE | CAGE CODE | DRAWING NO | RESTRICTED TO |
| 0 PLC  | ± | -                              |   |     |       |           |   |       |   |   |       |   |   |       |   |   |        |   |   |              |      |           |            |               |
| 1 PLC  | ± | -                              |   |     |       |           |   |       |   |   |       |   |   |       |   |   |        |   |   |              |      |           |            |               |
| 2 PLC  | ± | -                              |   |     |       |           |   |       |   |   |       |   |   |       |   |   |        |   |   |              |      |           |            |               |
| 3 PLC  | ± | -                              |   |     |       |           |   |       |   |   |       |   |   |       |   |   |        |   |   |              |      |           |            |               |
| 4 PLC  | ± | -                              |   |     |       |           |   |       |   |   |       |   |   |       |   |   |        |   |   |              |      |           |            |               |
| ANGLES   | ± | -                              |   |     |       |           |   |       |   |   |       |   |   |       |   |   |        |   |   |              |      |           |            |               |
| MATERIAL   |   | FINISH                         | WEIGHT  | A2  | 00779 | C=2213764 |   |       |   |   |       |   |   |       |   |   |        |   |   |              |      |           |            |               |
| CUSTOMER DRAWING   |   |                                | SCALE   | 1:1 | SHEET | 2 of 4    |   |       |   |   |       |   |   |       |   |   |        |   |   |              |      |           |            |               |
|  |   |                                | REV   | B1  |       |           |   |       |   |   |       |   |   |       |   |   |        |   |   |              |      |           |            |               |

THIS DRAWING IS UNPUBLISHED. RELEASED FOR PUBLICATION  
 © COPYRIGHT - By - ALL RIGHTS RESERVED.

| REVISIONS |     |             |      |      |
|-----------|-----|-------------|------|------|
| P         | LTR | DESCRIPTION | DATE | APVD |
| -         | -   | SEE SHEET 1 | -    | -    |


| POLE/THROW                | CONTACT | LED COLOR | LED VOLTAGE   | TE DESCRIPTIVE PN | TE PART NUMBER |
|---------------------------|---------|-----------|---------------|-------------------|----------------|
| SINGLE POLE-<br>LOCKING   | GOLD    | BLUE      | 24V           | AV1911R724R04     | 4-2213764-0    |
|                           | SILVER  | BLUE      | 24V           | AV1911R724Q04     | 3-2213764-9    |
|                           | GOLD    | BLUE      | 12V           | AV1911R712R04     | 3-2213764-8    |
|                           | SILVER  | BLUE      | 12V           | AV1911R712Q04     | 3-2213764-7    |
|                           | GOLD    | GREEN     | 24V           | AV1911R624R04     | 3-2213764-6    |
|                           | SILVER  | GREEN     | 24V           | AV1911R624Q04     | 3-2213764-5    |
|                           | GOLD    | GREEN     | 12V           | AV1911R612R04     | 3-2213764-4    |
|                           | SILVER  | GREEN     | 12V           | AV1911R612Q04     | 3-2213764-3    |
|                           | GOLD    | YELLOW    | 24V           | AV1911R524R04     | 3-2213764-2    |
|                           | SILVER  | YELLOW    | 24V           | AV1911R524Q04     | 3-2213764-1    |
|                           | GOLD    | YELLOW    | 12V           | AV1911R512R04     | 3-2213764-0    |
|                           | SILVER  | YELLOW    | 12V           | AV1911R512Q04     | 2-2213764-9    |
|                           | GOLD    | RED       | 24V           | AV1911R324R04     | 2-2213764-8    |
|                           | SILVER  | RED       | 24V           | AV1911R324Q04     | 2-2213764-7    |
|                           | GOLD    | RED       | 12V           | AV1911R312R04     | 2-2213764-6    |
|                           | SILVER  | RED       | 12V           | AV1911R312Q04     | 2-2213764-5    |
|                           | GOLD    | WHITE     | 24V           | AV1911R124R04     | 2-2213764-4    |
|                           | SILVER  | WHITE     | 24V           | AV1911R124Q04     | 2-2213764-3    |
| GOLD                      | WHITE   | 12V       | AV1911R112R04 | 2-2213764-2       |                |
| SILVER                    | WHITE   | 12V       | AV1911R112Q04 | 2-2213764-1       |                |
| SINGLE POLE-<br>MOMENTARY | GOLD    | BLUE      | 24V           | AV1910R724R04     | 2-2213764-0    |
|                           | SILVER  | BLUE      | 24V           | AV1910R724Q04     | 1-2213764-9    |
|                           | GOLD    | BLUE      | 12V           | AV1910R712R04     | 1-2213764-8    |
|                           | SILVER  | BLUE      | 12V           | AV1910R712Q04     | 1-2213764-7    |
|                           | GOLD    | GREEN     | 24V           | AV1910R624R04     | 1-2213764-6    |
|                           | SILVER  | GREEN     | 24V           | AV1910R624Q04     | 1-2213764-5    |
|                           | GOLD    | GREEN     | 12V           | AV1910R612R04     | 1-2213764-4    |
|                           | SILVER  | GREEN     | 12V           | AV1910R612Q04     | 1-2213764-3    |
|                           | GOLD    | YELLOW    | 24V           | AV1910R524R04     | 1-2213764-2    |
|                           | SILVER  | YELLOW    | 24V           | AV1910R524Q04     | 1-2213764-1    |
|                           | GOLD    | YELLOW    | 12V           | AV1910R512R04     | 1-2213764-0    |
|                           | SILVER  | YELLOW    | 12V           | AV1910R512Q04     | 2213764-9      |
|                           | GOLD    | RED       | 24V           | AV1910R324R04     | 2213764-8      |
|                           | SILVER  | RED       | 24V           | AV1910R324Q04     | 2213764-7      |
|                           | GOLD    | RED       | 12V           | AV1910R312R04     | 2213764-6      |
|                           | SILVER  | RED       | 12V           | AV1910R312Q04     | 2213764-5      |
|                           | GOLD    | WHITE     | 24V           | AV1910R124R04     | 2213764-4      |
|                           | SILVER  | WHITE     | 24V           | AV1910R124Q04     | 2213764-3      |
| GOLD                      | WHITE   | 12V       | AV1910R112R04 | 2213764-2         |                |
| SILVER                    | WHITE   | 12V       | AV1910R112Q04 | 2213764-1         |                |

|   |  |                                  |   |                    |                         |
|---|--|----------------------------------|---|--------------------|-------------------------|
| THIS DRAWING IS A CONTROLLED DOCUMENT.                                      |  | DWN 06FEB2016<br>NAGALAKSHMI K   |  TE Connectivity |                    |                         |
| DIMENSIONS:<br>mm [INCHES]  |  | CHK 06FEB2016<br>HILL RYAN       |   |                    |                         |
| TOLERANCES UNLESS OTHERWISE SPECIFIED:                                      |  | APVD 06FEB2016<br>HILL RYAN      | NAME<br>ANTI-VANDAL SWITCH 19MM<br>FIXED RING LED   |                    |                         |
| 0 PLC ± -<br>1 PLC ± -<br>2 PLC ± -<br>3 PLC ± -<br>4 PLC ± -<br>ANGLES ± - |  | PRODUCT SPEC<br>APPLICATION SPEC | SIZE<br>A2  | CAGE CODE<br>00779 | DRAWING NO<br>C-2213764 |
| MATERIAL<br>-   |  | FINISH<br>-                      | WEIGHT<br>-   | SCALE<br>1:1       | SHEET<br>3 of 4         |
| CUSTOMER DRAWING  |  |                                  | RESTRICTED TO<br>-  | REV<br>B1          |                         |

THIS DRAWING IS UNPUBLISHED. RELEASED FOR PUBLICATION  
 © COPYRIGHT - By - ALL RIGHTS RESERVED.

| REVISIONS |     |             |      |     |      |
|-----------|-----|-------------|------|-----|------|
| P         | LTR | DESCRIPTION | DATE | DWN | APVD |
| -         | -   | SEE SHEET 1 | -    | -   | -    |

| POLE/THROW            | CONTACT | LED COLOR | LED VOLTAGE   | TE DESCRIPTIVE PN | TE PART NUMBER |
|-----------------------|---------|-----------|---------------|-------------------|----------------|
| DOUBLE POLE-LOCKING   | GOLD    | BLUE      | 24V           | AV1921R724R04     | 8-2213764-0    |
|                       | SILVER  | BLUE      | 24V           | AV1921R724Q04     | 7-2213764-9    |
|                       | GOLD    | BLUE      | 12V           | AV1921R712R04     | 7-2213764-8    |
|                       | SILVER  | BLUE      | 12V           | AV1921R712Q04     | 7-2213764-7    |
|                       | GOLD    | GREEN     | 24V           | AV1921R624R04     | 7-2213764-6    |
|                       | SILVER  | GREEN     | 24V           | AV1921R624Q04     | 7-2213764-5    |
|                       | GOLD    | GREEN     | 12V           | AV1921R612R04     | 7-2213764-4    |
|                       | SILVER  | GREEN     | 12V           | AV1921R612Q04     | 7-2213764-3    |
|                       | GOLD    | YELLOW    | 24V           | AV1921R524R04     | 7-2213764-2    |
|                       | SILVER  | YELLOW    | 24V           | AV1921R524Q04     | 7-2213764-1    |
|                       | GOLD    | YELLOW    | 12V           | AV1921R512R04     | 7-2213764-0    |
|                       | SILVER  | YELLOW    | 12V           | AV1921R512Q04     | 6-2213764-9    |
|                       | GOLD    | RED       | 24V           | AV1921R324R04     | 6-2213764-8    |
|                       | SILVER  | RED       | 24V           | AV1921R324Q04     | 6-2213764-7    |
|                       | GOLD    | RED       | 12V           | AV1921R312R04     | 6-2213764-6    |
|                       | SILVER  | RED       | 12V           | AV1921R312Q04     | 6-2213764-5    |
| DOUBLE POLE-MOMENTARY | GOLD    | WHITE     | 24V           | AV1921R124R04     | 6-2213764-4    |
|                       | SILVER  | WHITE     | 24V           | AV1921R124Q04     | 6-2213764-3    |
|                       | GOLD    | WHITE     | 12V           | AV1921R112R04     | 6-2213764-2    |
|                       | SILVER  | WHITE     | 12V           | AV1921R112Q04     | 6-2213764-1    |
|                       | GOLD    | BLUE      | 24V           | AV1920R724R04     | 6-2213764-0    |
|                       | SILVER  | BLUE      | 24V           | AV1920R724Q04     | 5-2213764-9    |
|                       | GOLD    | BLUE      | 12V           | AV1920R712R04     | 5-2213764-8    |
|                       | SILVER  | BLUE      | 12V           | AV1920R712Q04     | 5-2213764-7    |
|                       | GOLD    | GREEN     | 24V           | AV1920R624R04     | 5-2213764-6    |
|                       | SILVER  | GREEN     | 24V           | AV1920R624Q04     | 5-2213764-5    |
|                       | GOLD    | GREEN     | 12V           | AV1920R612R04     | 5-2213764-4    |
|                       | SILVER  | GREEN     | 12V           | AV1920R612Q04     | 5-2213764-3    |
|                       | GOLD    | YELLOW    | 24V           | AV1920R524R04     | 5-2213764-2    |
|                       | SILVER  | YELLOW    | 24V           | AV1920R524Q04     | 5-2213764-1    |
|                       | GOLD    | YELLOW    | 12V           | AV1920R512R04     | 5-2213764-0    |
|                       | SILVER  | YELLOW    | 12V           | AV1920R512Q04     | 4-2213764-9    |
| GOLD                  | RED     | 24V       | AV1920R324R04 | 4-2213764-8       |                |
| SILVER                | RED     | 24V       | AV1920R324Q04 | 4-2213764-7       |                |
| GOLD                  | RED     | 12V       | AV1920R312R04 | 4-2213764-6       |                |
| SILVER                | RED     | 12V       | AV1920R312Q04 | 4-2213764-5       |                |
| GOLD                  | WHITE   | 24V       | AV1920R124R04 | 4-2213764-4       |                |
| SILVER                | WHITE   | 24V       | AV1920R124Q04 | 4-2213764-3       |                |
| GOLD                  | WHITE   | 12V       | AV1920R112R04 | 4-2213764-2       |                |
| SILVER                | WHITE   | 12V       | AV1920R112Q04 | 4-2213764-1       |                |

|  |  |                                |   |  |
|--|--|--------------------------------|---|--|
| THIS DRAWING IS A CONTROLLED DOCUMENT. |  | DWN 06FEB2016<br>NAGALAKSHMI K |  TE Connectivity |  |
| DIMENSIONS: mm [INCHES]                |  | CHK 06FEB2016<br>HILL RYAN     |   |  |
| TOLERANCES UNLESS OTHERWISE SPECIFIED: |  | APVD 06FEB2016<br>HILL RYAN    | NAME  |  |
| 0 PLC ± -                              |  | PRODUCT SPEC                   | ANTI-VANDAL SWITCH 19MM<br>FIXED RING LED   |  |
| 1 PLC ± -                              |  | APPLICATION SPEC               | SIZE CAGE CODE DRAWING NO RESTRICTED TO   |  |
| 2 PLC ± -                              |  | WEIGHT                         | A2 00779 C=2213764  |  |
| 3 PLC ± -                              |  | FINISH                         | SCALE 1:1 SHEET 4 OF 4 REV B1   |  |
| 4 PLC ± -                              |  | CUSTOMER DRAWING               |   |  |
| ANGLES ± -                             |  |                                |   |  |

## X-ON Electronics

Largest Supplier of Electrical and Electronic Components

*Click to view similar products for [Pushbutton Switches](#) category:*

*Click to view products by [TE Connectivity](#) manufacturer:*

Other Similar products are found below :

[8940K2012](#) [LW1L-M1C10V-A](#) [LW1L-M1C70-A](#) [LW2L-A1C20M-GD](#) [LW2L-M1C20M-A](#) [60324L](#) [M22-D-R-GB0/K11](#) [M7E-HRN2](#)  
[67021K512](#) [67081K512X](#) [701PB580](#) [7199K101](#) [810K12910](#) [810KSV30B](#) [MML21EA2ADK](#) [MML21KA3ABK](#) [MML23KA3AC05K-001](#)  
[MML23KW3AA01W](#) [8418K2](#) [8442K3](#) [8450K1](#) [860K11911T01A](#) [861901](#) [861K11911T01A07](#) [861K13810T00A14](#) [861K13911](#)  
[8646AB6X718UL](#) [8646ABUL](#) [9001KXRK](#) [907AYY100](#) [PMHD155A1](#) [9533CD4+U574+U4922](#) [95-414.000](#) [99-450.837](#) [99-453.837](#)  
[PV3H2B0NN-341](#) [1203MRA](#) [A22NZBGANGA](#) [A22NZBNANGA](#) [A22NZMPATRA](#) [A2PMA1X03EC56](#) [A3A-5123-02](#) [A3A-7140](#) [A3A-7310](#) [A3A-7340](#) [A3U-TMW-A2C-5M](#) [A595](#) [12037A2ULCSA](#) [ABD122N-B](#) [1211390004](#)