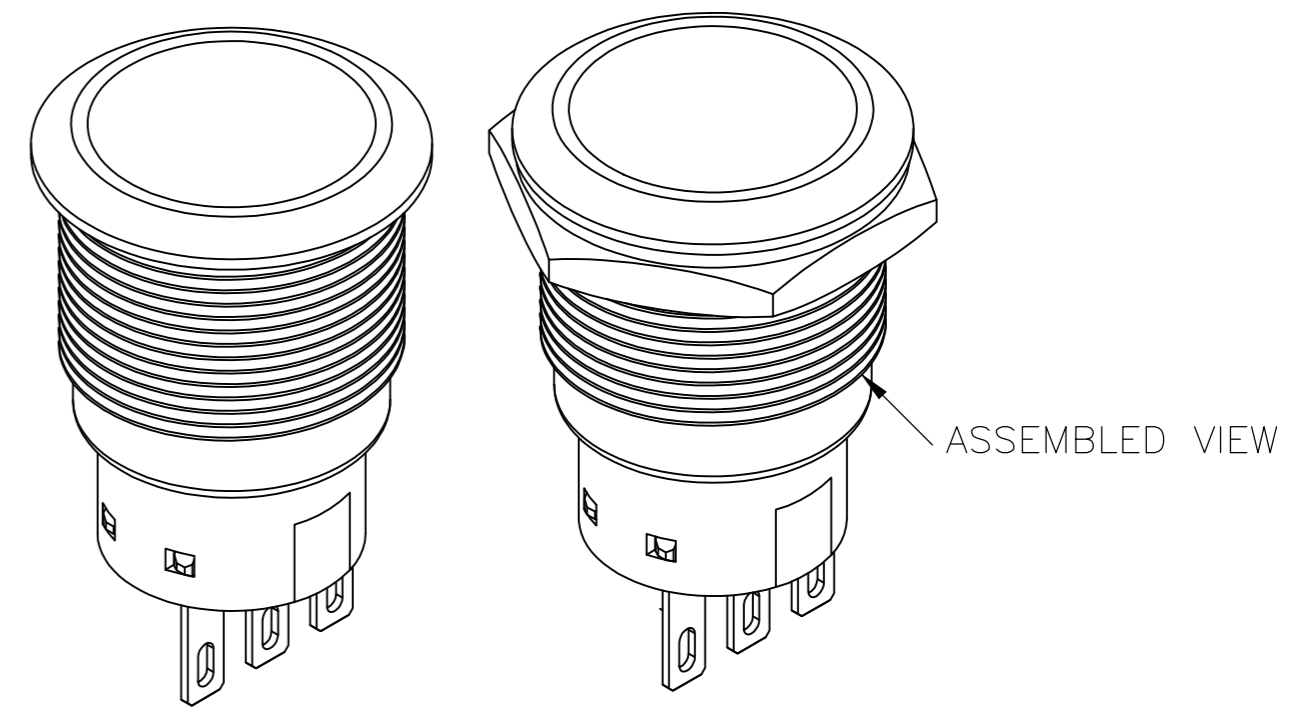
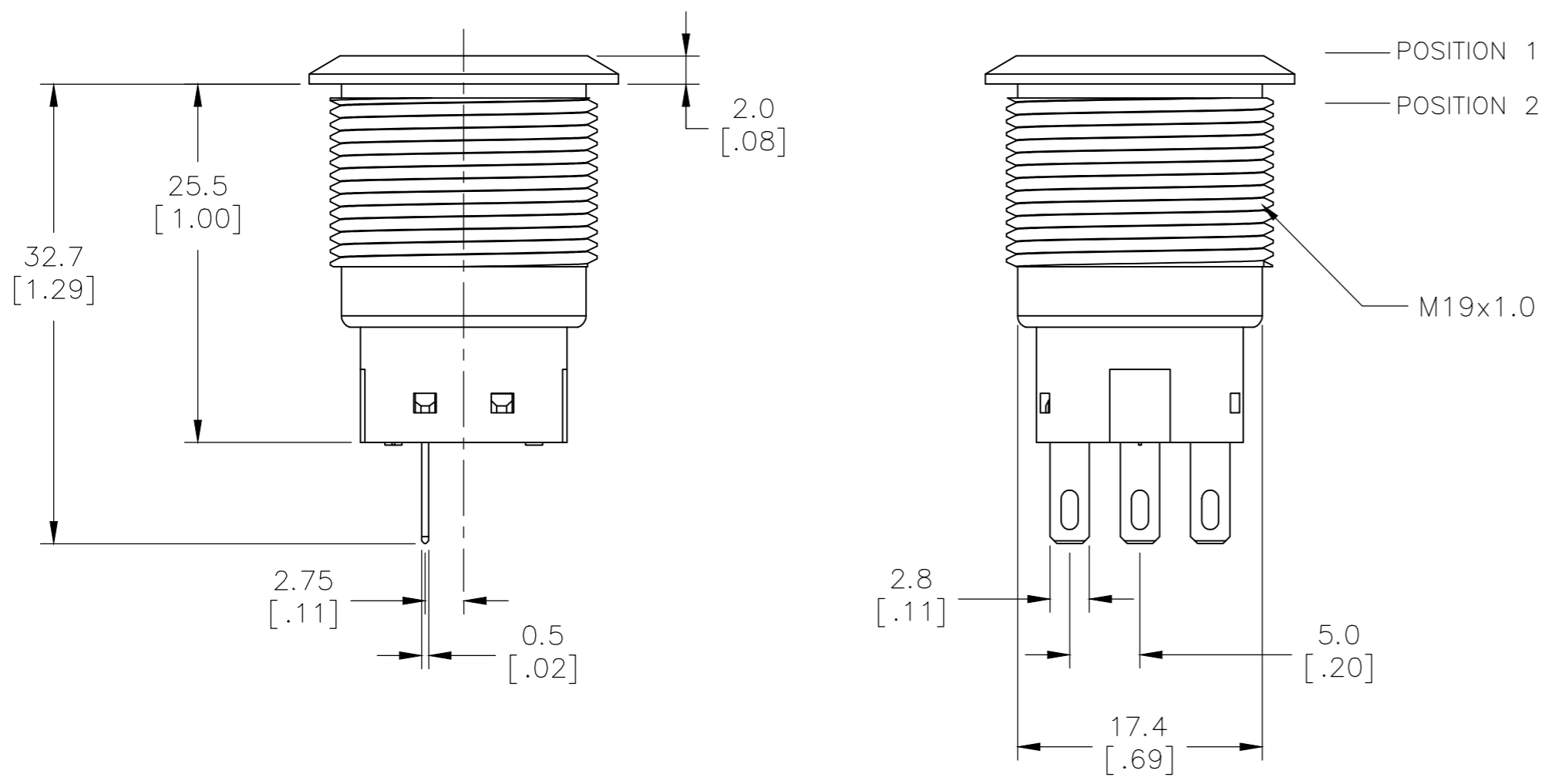
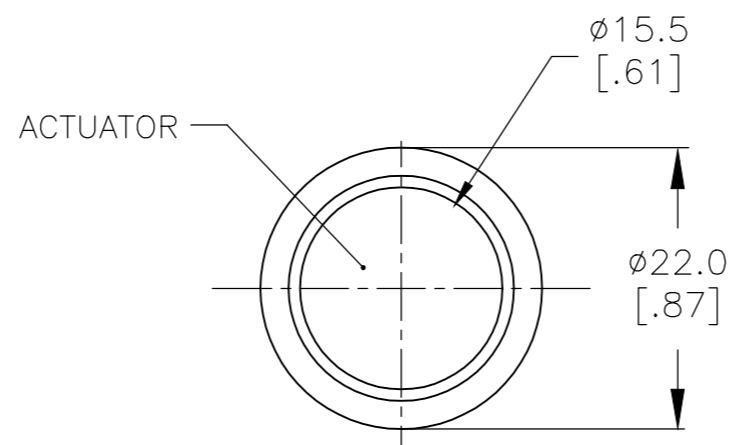
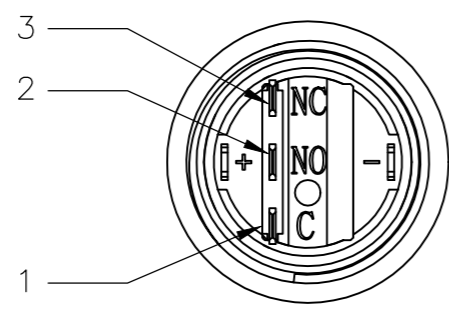
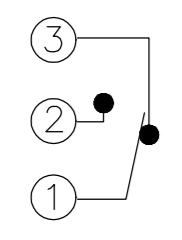


THIS DRAWING IS UNPUBLISHED. RELEASED FOR PUBLICATION
 © COPYRIGHT - By - ALL RIGHTS RESERVED.

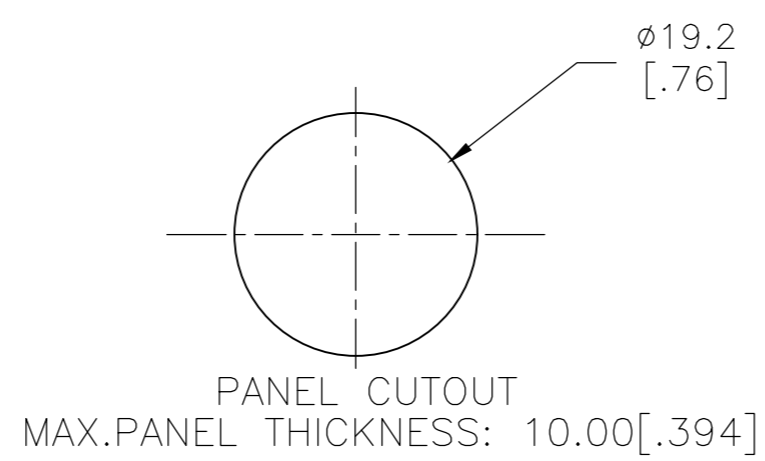
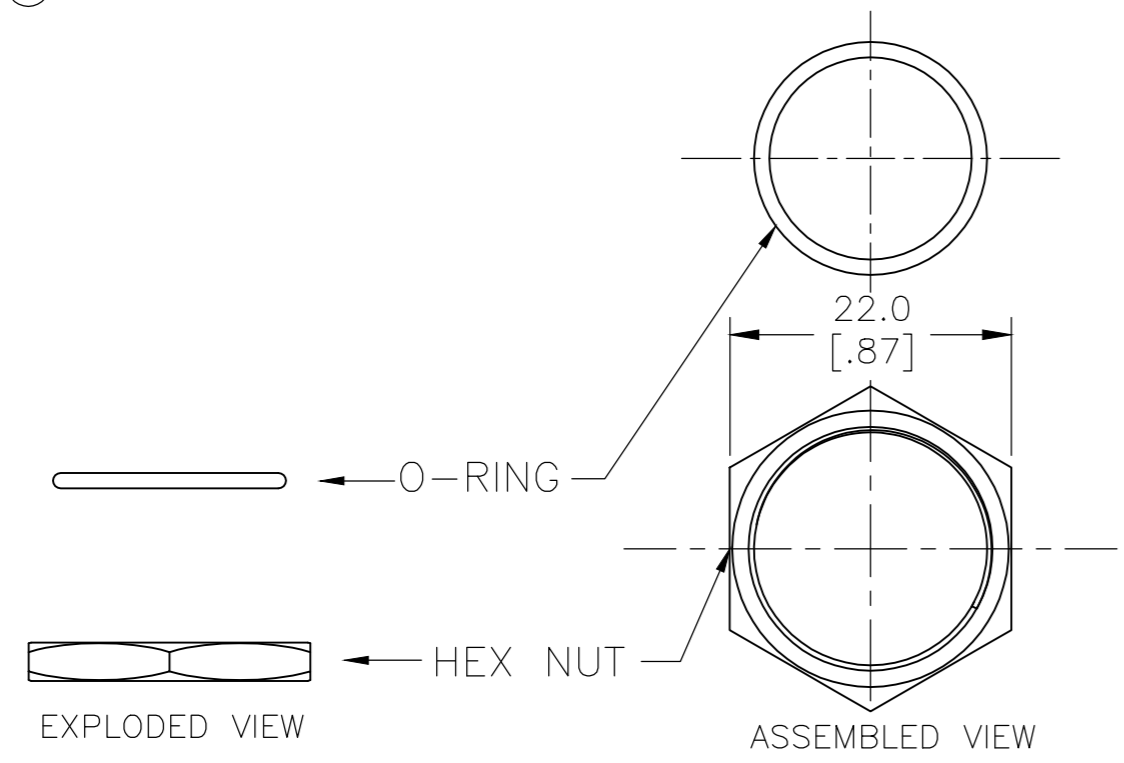
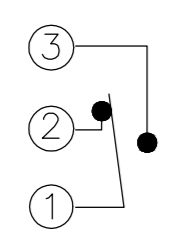
| REVISIONS | | | | | |
|-----------|-----|---------------------------|-----------|-----|------|
| P | LTR | DESCRIPTION | DATE | DWN | APVD |
| B2 | | REVISED PER ECR-19-017758 | 13DEC2019 | SB | PO |



POSITION 1



POSITION 2



SPECIFICATIONS

CONTACT RATING: SILVER: 3A @ 250 VAC RESISTIVE
 GOLD: 0.4VA @ 20VDC OR PEAK AC
 INSULATION RESISTANCE: 1,000MΩ MIN AT 500VDC
 DIELECTRIC STRENGTH: 2,000V RMS @ SEA LEVEL
 CONTACT RESISTANCE: 50 mΩ MAX @ 1A 12VDC (INITIAL VALUE)
 ELECTRICAL LIFECYCLES: 50,000 MAKE AND BREAK CYCLES AT FULL LOAD

ACTUATION FORCE: SP: 2.5±1 NEWTON, DP: 3.5±1 NEWTON
 ACTUATION TRAVEL: 3.2mm
 SEALED PER IP67, IK10 (STAINLESS)
 OPERATING TEMPERATURE: -20°C TO +55°C
 MECHANICAL LIFECYCLES: MOMENTARY: 1,000,000 CYCLES
 LOCKING: 500,000 CYCLES
 HARDWARE TORQUE: 5-14 N-m

MATERIALS

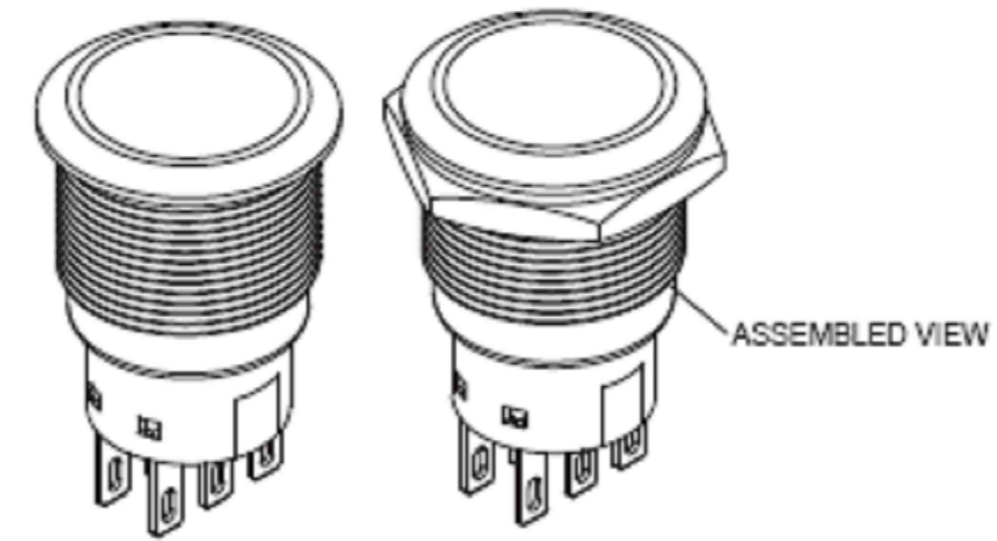
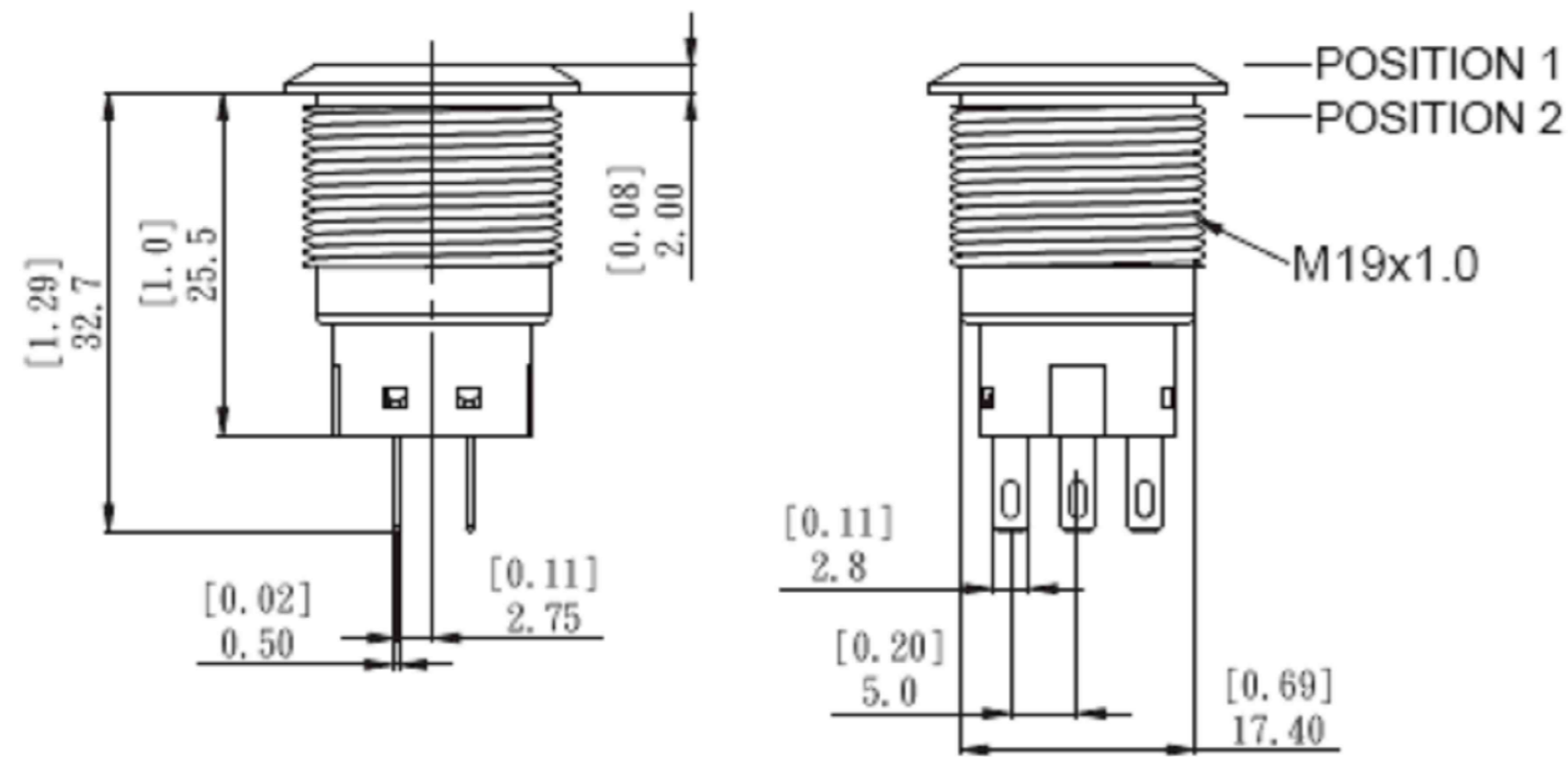
BUSHING: STAINLESS STEEL
 BASE: PBT (UL 94-V0), PC (UL 94-V2)
 ACTUATOR: STAINLESS STEEL, PC
 SEALING: O-RING (SILICONE)
 TERMINAL/CONTACT: COPPER BASE, SILVER/GOLD PLATED
 HEX NUT: BRASS BASE, NICKEL PLATED

1 ALL MATERIAL AND FINISHES SHALL COMPLY WITH EU DIRECTIVE 2002/95/EC OF 27JAN2003 (ROHS)

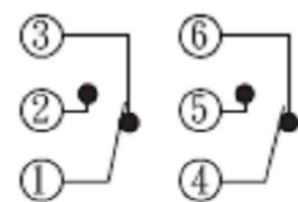
| | | | | |
|--|--|-----------------------------------|--|--------------------|
| THIS DRAWING IS A CONTROLLED DOCUMENT. | | DWN NAGALAKSHMI K 05FEB2016 | | |
| DIMENSIONS: mm [INCHES] | | CHK HILL RYAN 05FEB2016 | | |
| TOLERANCES UNLESS OTHERWISE SPECIFIED: | | APVD HILL RYAN 05FEB2016 | NAME - ANTI-VANDAL SWITCH 19mm NO LED | |
| 0 PLC ± - | | PRODUCT SPEC | SIZE A2 | CAGE CODE 00779 |
| 1 PLC ± 0.016 In | | APPLICATION SPEC | DRAWING NO C=2213763 | RESTRICTED TO - |
| 2 PLC ± 0.01 In | | | SCALE 8:1 | SHEET 1 of 3 |
| 3 PLC ± - | | | REV B2 | |
| 4 PLC ± - | | | | |
| ANGLES ± 2° | | | | |
| FINISH | | WEIGHT - | CUSTOMER DRAWING | |

THIS DRAWING IS UNPUBLISHED. RELEASED FOR PUBLICATION
 © COPYRIGHT - By - ALL RIGHTS RESERVED.

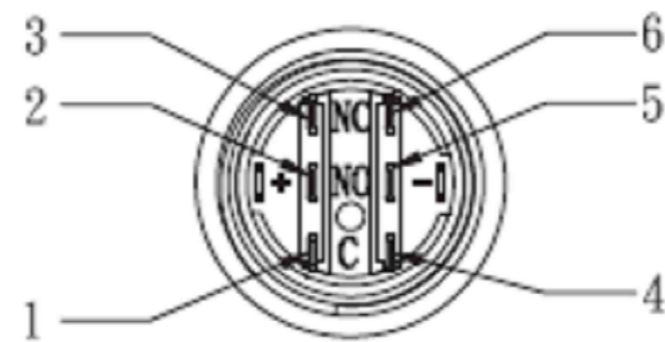
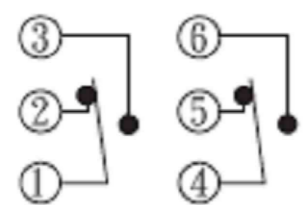
| REVISIONS | | | | |
|-----------|-----|-------------|------|------|
| P | LTR | DESCRIPTION | DATE | APVD |
| - | - | SEE SHEET 1 | - | - |



POSITION 1



POSITION 2




| | | | | | | | | | | | | | | | | | | | | | | |
|--|---|-----------------------------------|--|-------------------------|-------|---|----------|-------|---|---------|-------|---|---|-------|---|---|--------|---|----|-------------------|------------|--------------------|
| THIS DRAWING IS A CONTROLLED DOCUMENT. | | DWN NAGALAKSHMI K 06FEB2016 | | | | | | | | | | | | | | | | | | | | |
| DIMENSIONS: mm [INCHES] | | CHK HILL RYAN 06FEB2016 | | | | | | | | | | | | | | | | | | | | |
| TOLERANCES UNLESS OTHERWISE SPECIFIED: | | APVD HILL RYAN 06FEB2016 | NAME - ANTI-VANDAL SWITCH 19mm NO LED | | | | | | | | | | | | | | | | | | | |
| <table border="0"> <tr><td>0 PLC</td><td>±</td><td>-</td></tr> <tr><td>1 PLC</td><td>±</td><td>0.016 In</td></tr> <tr><td>2 PLC</td><td>±</td><td>0.01 In</td></tr> <tr><td>3 PLC</td><td>±</td><td>-</td></tr> <tr><td>4 PLC</td><td>±</td><td>-</td></tr> <tr><td>ANGLES</td><td>±</td><td>2°</td></tr> </table> | | 0 PLC | ± | - | 1 PLC | ± | 0.016 In | 2 PLC | ± | 0.01 In | 3 PLC | ± | - | 4 PLC | ± | - | ANGLES | ± | 2° | PRODUCT SPEC - | SIZE A2 | CAGE CODE 00779 |
| 0 PLC | ± | - | | | | | | | | | | | | | | | | | | | | |
| 1 PLC | ± | 0.016 In | | | | | | | | | | | | | | | | | | | | |
| 2 PLC | ± | 0.01 In | | | | | | | | | | | | | | | | | | | | |
| 3 PLC | ± | - | | | | | | | | | | | | | | | | | | | | |
| 4 PLC | ± | - | | | | | | | | | | | | | | | | | | | | |
| ANGLES | ± | 2° | | | | | | | | | | | | | | | | | | | | |
| MATERIAL - | | FINISH - | WEIGHT - | DRAWING NO C=2213763 | | | | | | | | | | | | | | | | | | |
| CUSTOMER DRAWING | | | SCALE NTS | SHEET 2 of 3 | | | | | | | | | | | | | | | | | | |
| | | | RESTRICTED TO - | REV B2 | | | | | | | | | | | | | | | | | | |

THIS DRAWING IS UNPUBLISHED. RELEASED FOR PUBLICATION
 © COPYRIGHT - SEE SHEET 1 ALL RIGHTS RESERVED.

| REVISIONS | | | | | |
|-----------|-----|-------------|------|-----|------|
| P | LTR | DESCRIPTION | DATE | DWN | APVD |
| - | - | SEE SHEET 1 | - | - | - |

| | | | | | |
|---------------------------|---------|------------|-------------|-------------------|----------------|
| DOUBLE POLE -LOCKING | GOLD | - | - | AV1921000R04 | 2213763-8 |
| | SILVER | - | - | AV1921000Q04 | 2213763-7 |
| DOUBLE POLE- MOMENTARY | GOLD | - | - | AV1920000R04 | 2213763-6 |
| | SILVER | - | - | AV1920000Q04 | 2213763-5 |
| SINGLE POLE- LOCKING | GOLD | - | - | AV1911000R04 | 2213763-4 |
| | SILVER | - | - | AV1911000Q04 | 2213763-3 |
| SINGLE POLE- MOMENTARY | GOLD | - | - | AV1910000R04 | 2213763-2 |
| | SILVER | - | - | AV1910000Q04 | 2213763-1 |
| POLE/THROW | CONTACT | LED COLOUR | LED VOLTAGE | TE DESCRIPTIVE PN | TE PART NUMBER |

| | | | | | |
|--|--|--------------------------------|---|-----------|------------|
| THIS DRAWING IS A CONTROLLED DOCUMENT. | | DWN 06FEB2016 NAGALAKSHMI K |  TE Connectivity | | |
| DIMENSIONS: mm [INCHES] | | CHK 06FEB2016 HILL RYAN | | | |
| TOLERANCES UNLESS OTHERWISE SPECIFIED: | | APVD 06FEB2016 HILL RYAN | NAME | | |
| 0 PLC ± - | | PRODUCT SPEC | ANTI-VANDAL SWITCH 19mm NO LED | | |
| 1 PLC ± - | | APPLICATION SPEC | SIZE | CAGE CODE | DRAWING NO |
| 2 PLC ± - | | WEIGHT | A2 | 00779 | C=2213763 |
| 3 PLC ± - | | FINISH | RESTRICTED TO | | |
| 4 PLC ± - | | MATERIAL | CUSTOMER DRAWING | | |
| ANGLES ± - | | SCALE | NTS | SHEET | 3 of 3 |
| - | | REV | B2 | | |

2213763

X-ON Electronics

Largest Supplier of Electrical and Electronic Components

Click to view similar products for [Pushbutton Switches](#) category:

Click to view products by [TE Connectivity](#) manufacturer:

Other Similar products are found below :

[8940K2012](#) [LW1L-M1C10V-A](#) [LW1L-M1C70-A](#) [LW2L-A1C20M-GD](#) [LW2L-M1C20M-A](#) [60324L](#) [M22-D-R-GB0/K11](#) [M7E-HRN2](#)
[67021K512](#) [67081K512X](#) [701PB580](#) [7199K101](#) [810K12910](#) [810KSV30B](#) [MML21EA2ADK](#) [MML21KA3ABK](#) [MML23KA3AC05K-001](#)
[MML23KW3AA01W](#) [8418K2](#) [8442K2](#) [8442K3](#) [8450K1](#) [860K11911T01A](#) [861901](#) [861K11911T01A07](#) [861K13810T00A14](#) [861K13911](#)
[8646AB6X718UL](#) [8646ABUL](#) [9001KXRK](#) [907AYY100](#) [PMHD155A1](#) [9533CD4+U574+U4922](#) [95-414.000](#) [99-450.837](#) [99-453.837](#)
[PV3H2B0NN-341](#) [1203MRA](#) [A22NZBGANGA](#) [A22NZBNANGA](#) [A22NZMPATRA](#) [A2PMA1X03EC56](#) [A3A-5123-02](#) [A3A-7140](#) [A3A-7310](#) [A3A-7340](#) [A3U-TMW-A2C-5M](#) [A595](#) [12037A2ULCSA](#) [ABD122N-B](#)