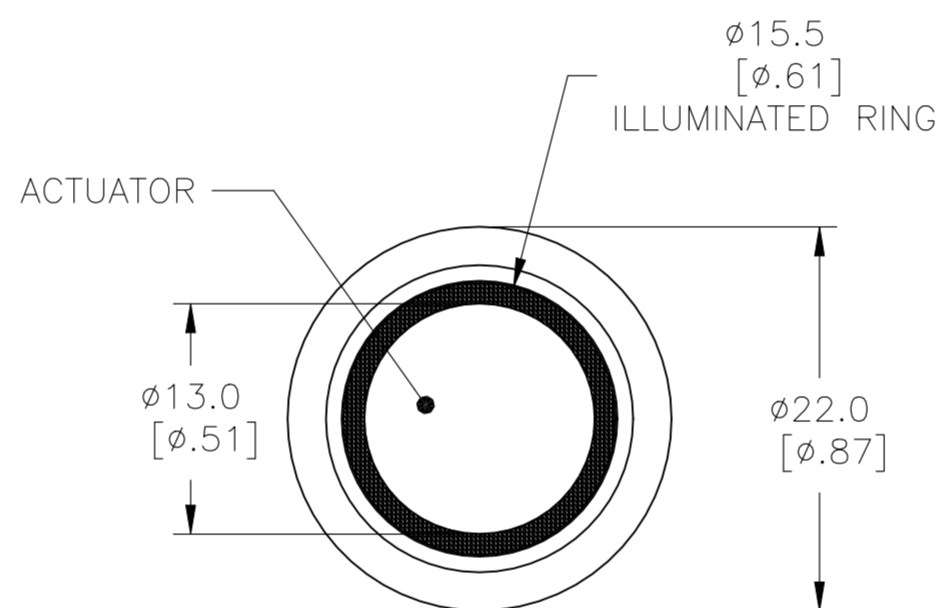
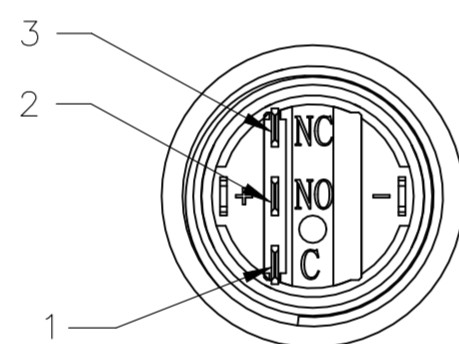
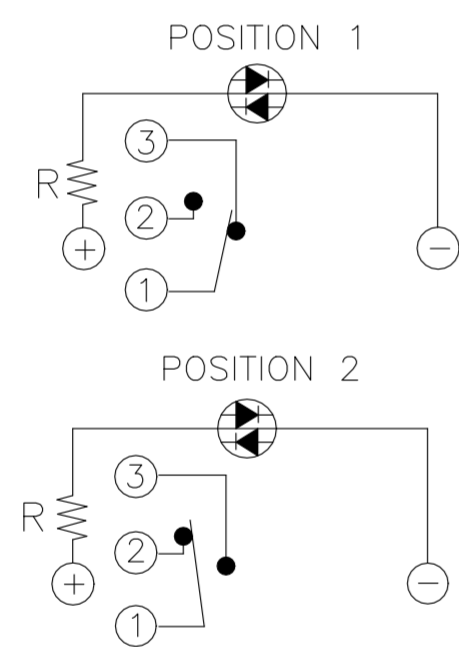
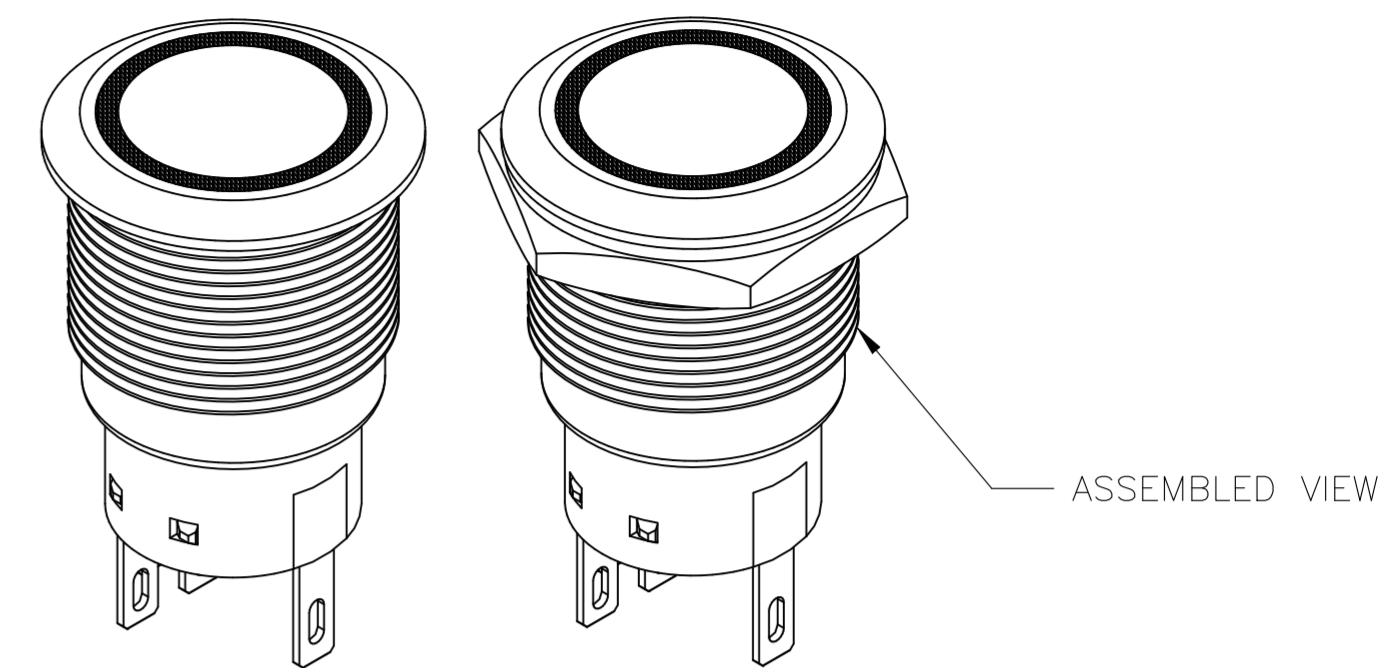
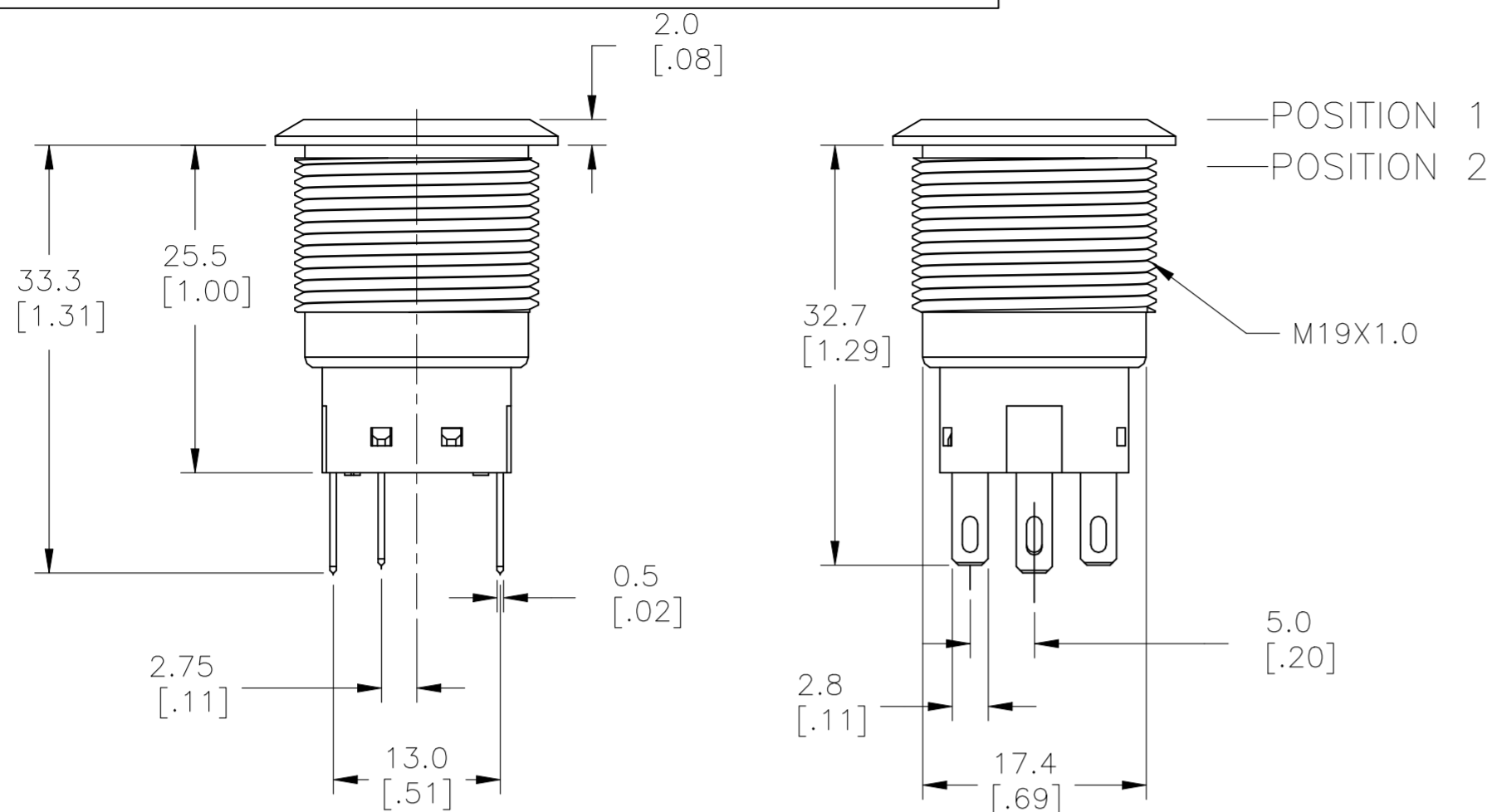


THIS DRAWING IS UNPUBLISHED. RELEASED FOR PUBLICATION
© COPYRIGHT - By - ALL RIGHTS RESERVED.

REVISIONS					
P	LTR	DESCRIPTION	DATE	DWN	APVD
B1		REVISED PER ECR-21-006029	02SEP2021	VG	PO



SPECIFICATIONS

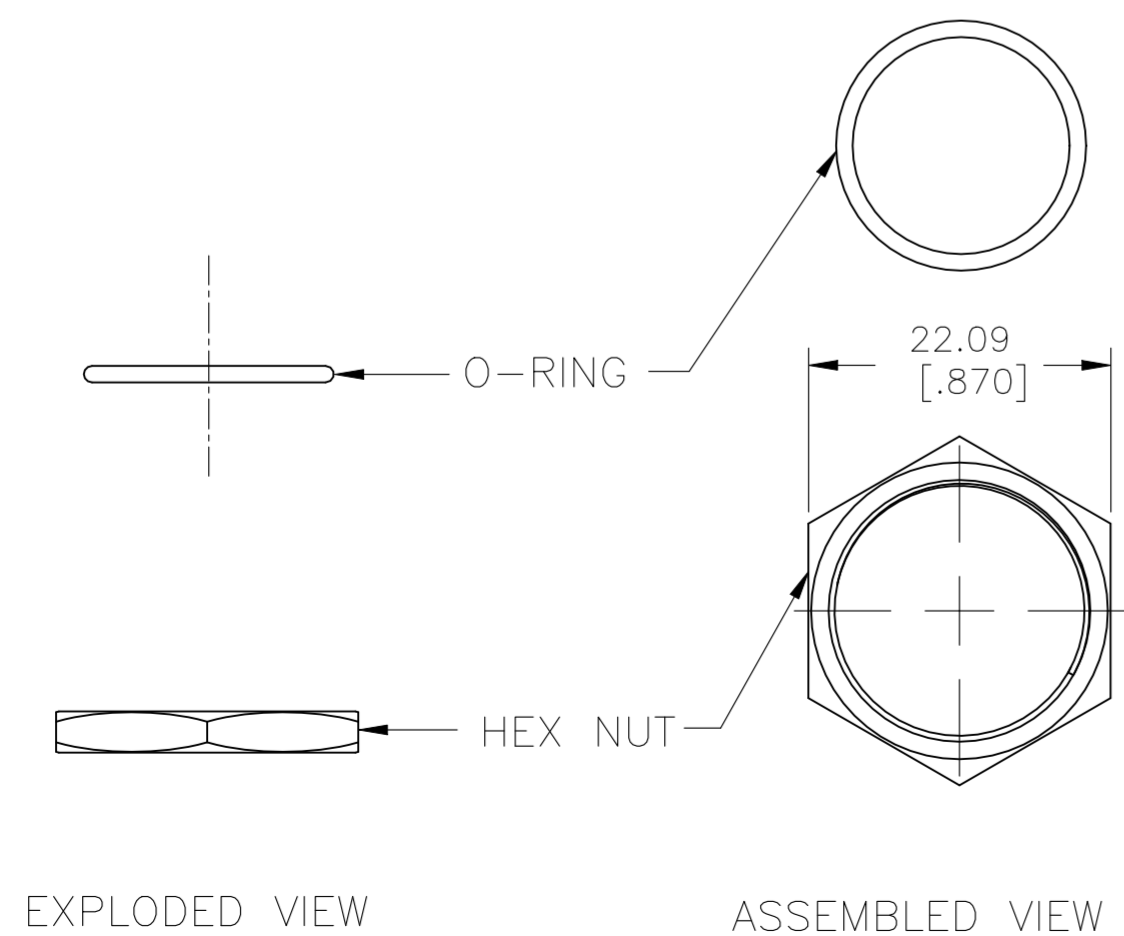
CONTACT RATING: SILVER: 3A @ 250 VAC RESISTIVE
 GOLD: 0.4VA @ 20VDC OR PEAK AC
 INSULATION RESISTANCE: 1,000MΩ MIN AT 500VDC
 DIELECTRIC STRENGTH: 2,000V RMS @ SEA LEVEL
 CONTACT RESISTANCE: 50 mΩ MAX @ 1A 12VDC (INITIAL VALUE)
 ELECTRICAL LIFECYCLES: 50,000 MAKE AND BREAK CYCLES AT FULL LOAD

ACTUATION FORCE: SP: 2.5±1 NEWTON, DP: 3.5±1 NEWTON
 ACTUATION TRAVEL: 3.2mm
 SEALED PER IP67, IK10 (STAINLESS)
 OPERATING TEMPERATURE: -20°C TO +55°C
 MECHANICAL LIFECYCLES: MOMENTARY: 1,000,000 CYCLES
 LOCKING: 500,000 CYCLES
 HARDWARE TORQUE: 5-14 N-m

MATERIALS

BUSHING: STAINLESS STEEL
 BASE: PBT (UL 94-V0), PC (UL 94-V2)
 ACTUATOR: STAINLESS STEEL, PC
 SEALING: O-RING (SILICONE)
 TERMINAL/CONTACT: COPPER BASE, SILVER/GOLD PLATED
 HEX NUT: BRASS BASE, NICKEL PLATED

1 ALL MATERIAL AND FINISHES SHALL COMPLY WITH EU DIRECTIVE 2002/95/EC OF 27JAN2003 (ROHS)

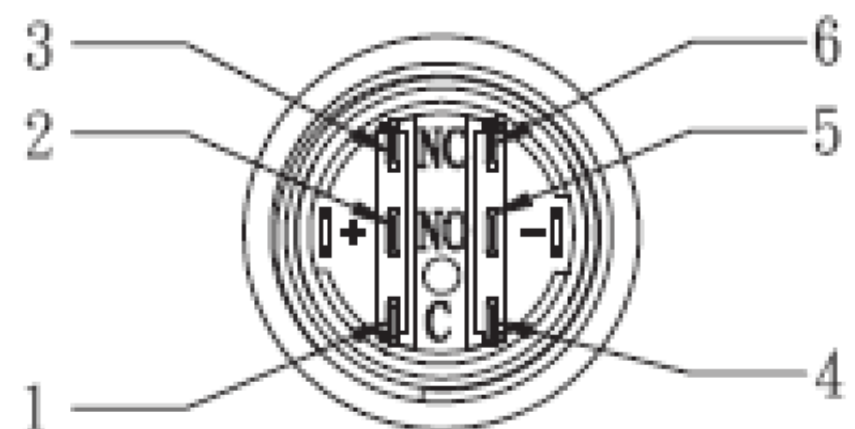
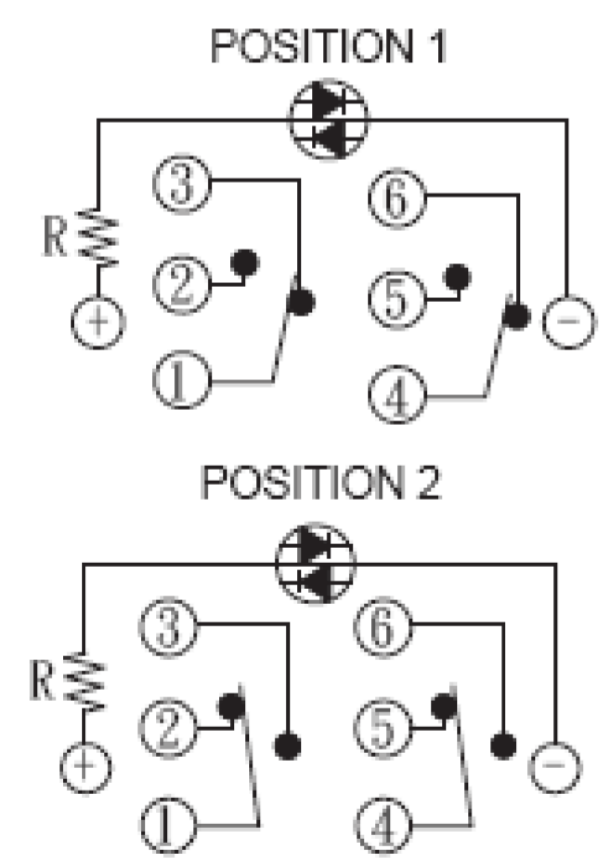
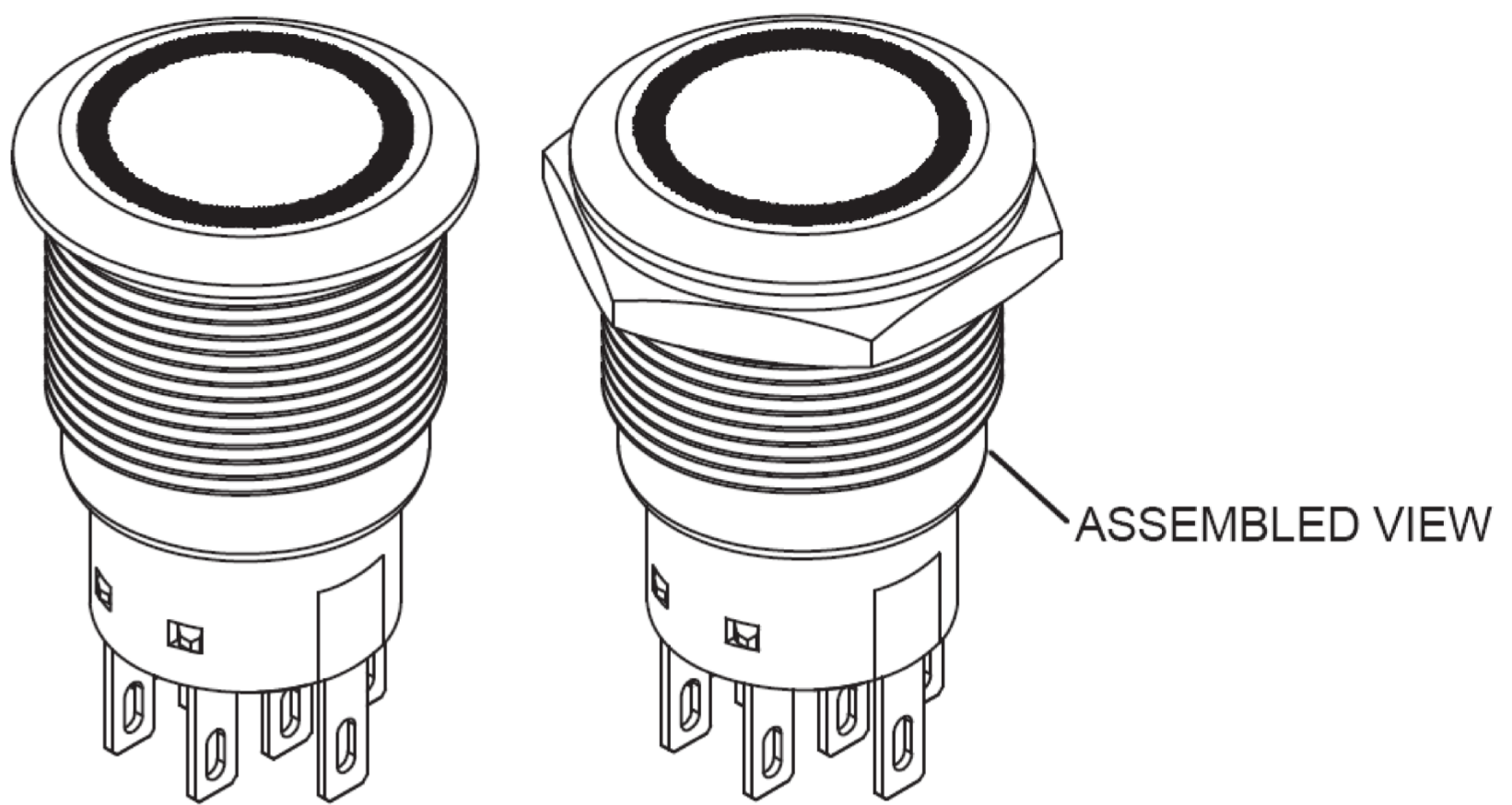
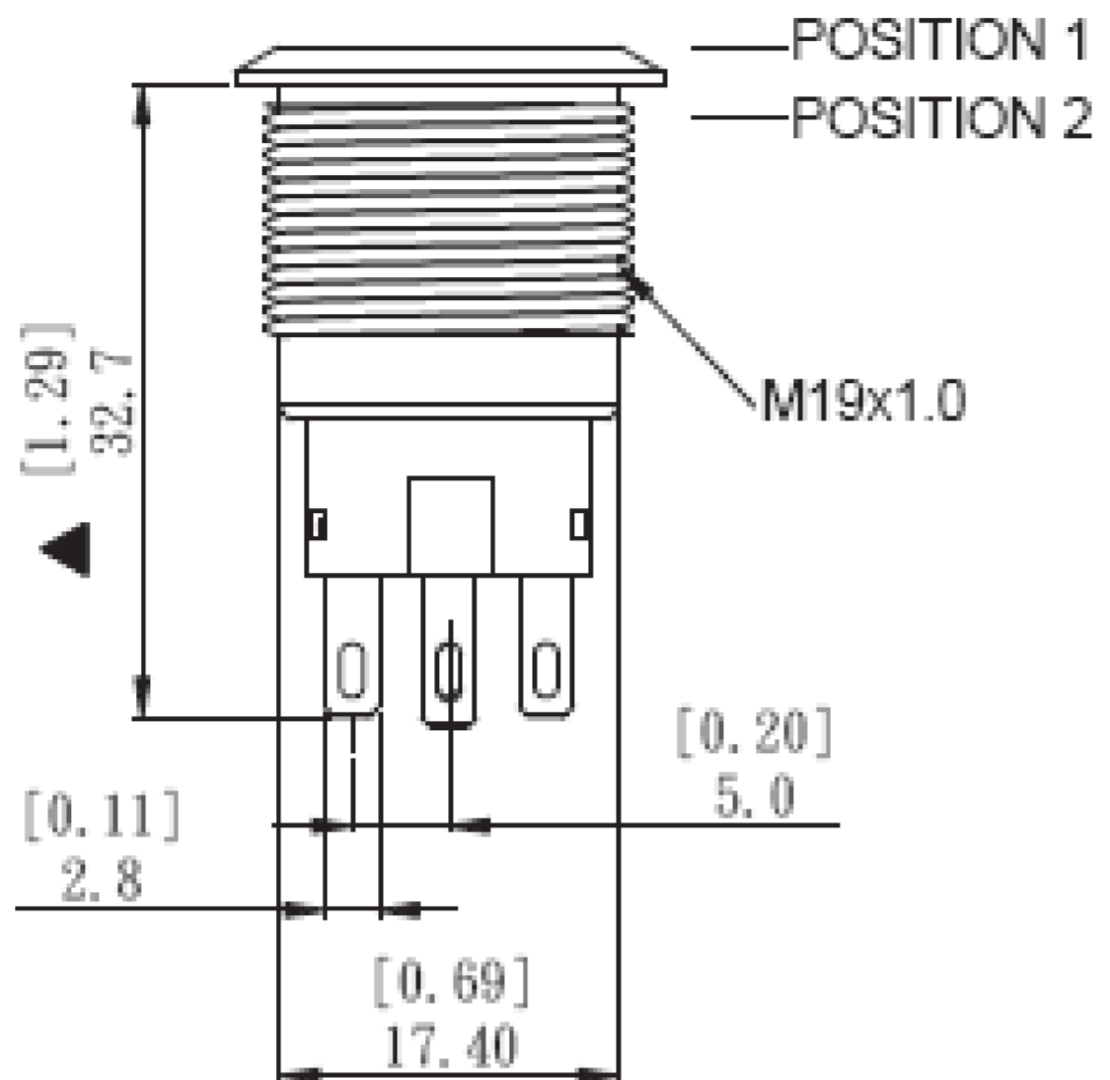
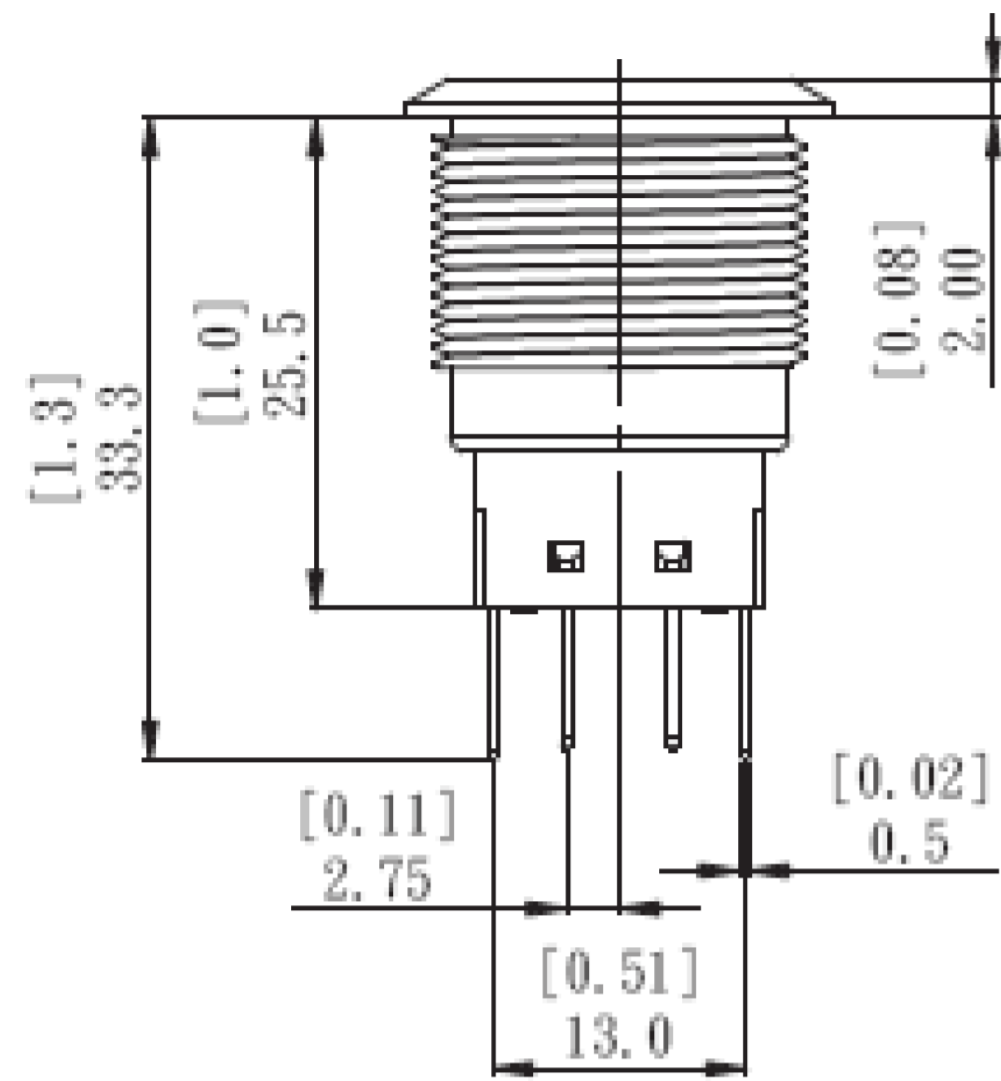


PANEL CUTOUT
 MAX.PANEL THICKNESS: 10.00[.394]

THIS DRAWING IS A CONTROLLED DOCUMENT.		DWN NAGALAKSHMI K 08FEB2016	STE TE Connectivity	
DIMENSIONS: mm [INCHES]		CHK HILL RYAN 08FEB2016		
TOLERANCES UNLESS OTHERWISE SPECIFIED:		APVD HILL RYAN 08FEB2016	NAME ANTI-VANDAL SWITCH 19mm MOVING RING LED	
0 PLC ± - 1 PLC ± - 2 PLC ± - 3 PLC ± - 4 PLC ± - ANGLES ± -		PRODUCT SPEC	SIZE A2	
MATERIAL		FINISH	CAGE CODE 00779	DRAWING NO C=2213767
		WEIGHT 0	RESTRICTED TO	
		CUSTOMER DRAWING	SCALE 1:1	SHEET 1 OF 4
			REV B1	

THIS DRAWING IS UNPUBLISHED. RELEASED FOR PUBLICATION
 © COPYRIGHT - By - ALL RIGHTS RESERVED.

REVISIONS					
P	LTR	DESCRIPTION	DATE	DWN	APVD
-	-	SEE SHEET 1	-	-	-




THIS DRAWING IS A CONTROLLED DOCUMENT.		DWN NAGALAKSHMI K 08FEB2016																				
DIMENSIONS: mm [INCHES]		CHK HILL RYAN 08FEB2016																				
TOLERANCES UNLESS OTHERWISE SPECIFIED:		APVD HILL RYAN 08FEB2016	NAME ANTI-VANDAL SWITCH 19mm MOVING RING LED																			
<table border="1"> <tr><td>0 PLC</td><td>±</td><td>-</td></tr> <tr><td>1 PLC</td><td>±</td><td>-</td></tr> <tr><td>2 PLC</td><td>±</td><td>-</td></tr> <tr><td>3 PLC</td><td>±</td><td>-</td></tr> <tr><td>4 PLC</td><td>±</td><td>-</td></tr> <tr><td>ANGLES</td><td>±</td><td>-</td></tr> </table>		0 PLC	±	-	1 PLC	±	-	2 PLC	±	-	3 PLC	±	-	4 PLC	±	-	ANGLES	±	-	PRODUCT SPEC -	SIZE A2	CAGE CODE 00779
0 PLC	±	-																				
1 PLC	±	-																				
2 PLC	±	-																				
3 PLC	±	-																				
4 PLC	±	-																				
ANGLES	±	-																				
MATERIAL -		FINISH -	WEIGHT -	DRAWING NO C=2213767																		
CUSTOMER DRAWING			SCALE 1:1	SHEET 2 of 4																		
			RESTRICTED TO -	REV B1																		

THIS DRAWING IS UNPUBLISHED. RELEASED FOR PUBLICATION
 © COPYRIGHT - By - ALL RIGHTS RESERVED.

REVISIONS					
P	LTR	DESCRIPTION	DATE	DWN	APVD
-	-	SEE SHEET 1	-	-	-

POLE/THROW	CONTACT	LED COLOR	LED VOLTAGE	TE DESCRIPTIVE PN	TE PART NUMBER
SINGLE POLE-LOCKING	GOLD	BLUE	24V	AV1911E724R04	4-2213767-0
	SILVER	BLUE	24V	AV1911E724Q04	3-2213767-9
	GOLD	BLUE	12V	AV1911E712R04	3-2213767-8
	SILVER	BLUE	12V	AV1911E712Q04	3-2213767-7
	GOLD	GREEN	24V	AV1911E624R04	3-2213767-6
	SILVER	GREEN	24V	AV1911E624Q04	3-2213767-5
	GOLD	GREEN	12V	AV1911E612R04	3-2213767-4
	SILVER	GREEN	12V	AV1911E612Q04	3-2213767-3
	GOLD	YELLOW	24V	AV1911E524R04	3-2213767-2
	SILVER	YELLOW	24V	AV1911E524Q04	3-2213767-1
	GOLD	YELLOW	12V	AV1911E512R04	3-2213767-0
	SILVER	YELLOW	12V	AV1911E512Q04	2-2213767-9
	GOLD	RED	24V	AV1911E324R04	2-2213767-8
	SILVER	RED	24V	AV1911E324Q04	2-2213767-7
	GOLD	RED	12V	AV1911E312R04	2-2213767-6
	SILVER	RED	12V	AV1911E312Q04	2-2213767-5
GOLD	WHITE	24V	AV1911E124R04	2-2213767-4	
SILVER	WHITE	24V	AV1911E124Q04	2-2213767-3	
GOLD	WHITE	12V	AV1911E112R04	2-2213767-2	
SILVER	WHITE	12V	AV1911E112Q04	2-2213767-1	
SINGLE POLE-MOMENTARY	GOLD	BLUE	24V	AV1910E724R04	2-2213767-0
	SILVER	BLUE	24V	AV1910E724Q04	1-2213767-9
	GOLD	BLUE	12V	AV1910E712R04	1-2213767-8
	SILVER	BLUE	12V	AV1910E712Q04	1-2213767-7
	GOLD	GREEN	24V	AV1910E624R04	1-2213767-6
	SILVER	GREEN	24V	AV1910E624Q04	1-2213767-5
	GOLD	GREEN	12V	AV1910E612R04	1-2213767-4
	SILVER	GREEN	12V	AV1910E612Q04	1-2213767-3
	GOLD	YELLOW	24V	AV1910E524R04	1-2213767-2
	SILVER	YELLOW	24V	AV1910E524Q04	1-2213767-1
	GOLD	YELLOW	12V	AV1910E512R04	1-2213767-0
	SILVER	YELLOW	12V	AV1910E512Q04	2213767-9
	GOLD	RED	24V	AV1910E324R04	2213767-8
	SILVER	RED	24V	AV1910E324Q04	2213767-7
	GOLD	RED	12V	AV1910E312R04	2213767-6
	SILVER	RED	12V	AV1910E312Q04	2213767-5
GOLD	WHITE	24V	AV1910E124R04	2213767-4	
SILVER	WHITE	24V	AV1910E124Q04	2213767-3	
GOLD	WHITE	12V	AV1910E112R04	2213767-2	
SILVER	WHITE	12V	AV1910E112Q04	2213767-1	

THIS DRAWING IS A CONTROLLED DOCUMENT.		DWN 08FEB2016 NAGALAKSHMI K	 TE Connectivity		
DIMENSIONS: mm [INCHES]		CHK 08FEB2016 HILL RYAN			
TOLERANCES UNLESS OTHERWISE SPECIFIED:		APVD 08FEB2016 HILL RYAN	NAME ANTI-VANDAL SWITCH 19mm MOVING RING LED		
0 PLC ± - 1 PLC ± - 2 PLC ± - 3 PLC ± - 4 PLC ± - ANGLES ± -		PRODUCT SPEC - APPLICATION SPEC -	SIZE A2	CAGE CODE 00779	DRAWING NO C=2213767
MATERIAL -		FINISH -	WEIGHT -	SCALE 1:1	SHEET 3 of 4
CUSTOMER DRAWING			RESTRICTED TO -	REV B1	

D

D

C

C

B

2213767

B


A

A

THIS DRAWING IS UNPUBLISHED. RELEASED FOR PUBLICATION
 © COPYRIGHT - By - ALL RIGHTS RESERVED.

REVISIONS				
P	LTR	DESCRIPTION	DATE	APVD
-	-	SEE SHEET 1	-	-

POLE/THROW	CONTACT	LED COLOR	LED VOLTAGE	TE DESCRIPTIVE PN	TE PART NUMBER
DOUBLE POLE-LOCKING	GOLD	BLUE	24V	AV1921E724R04	8-2213767-0
	SILVER	BLUE	24V	AV1921E724Q04	7-2213767-9
	GOLD	BLUE	12V	AV1921E712R04	7-2213767-8
	SILVER	BLUE	12V	AV1921E712Q04	7-2213767-7
	GOLD	GREEN	24V	AV1921E624R04	7-2213767-6
	SILVER	GREEN	24V	AV1921E624Q04	7-2213767-5
	GOLD	GREEN	12V	AV1921E612R04	7-2213767-4
	SILVER	GREEN	12V	AV1921E612Q04	7-2213767-3
	GOLD	YELLOW	24V	AV1921E524R04	7-2213767-2
	SILVER	YELLOW	24V	AV1921E524Q04	7-2213767-1
	GOLD	YELLOW	12V	AV1921E512R04	7-2213767-0
	SILVER	YELLOW	12V	AV1921E512Q04	6-2213767-9
	GOLD	RED	24V	AV1921E324R04	6-2213767-8
	SILVER	RED	24V	AV1921E324Q04	6-2213767-7
	GOLD	RED	12V	AV1921E312R04	6-2213767-6
	SILVER	RED	12V	AV1921E312Q04	6-2213767-5
DOUBLE POLE-MOMENTARY	GOLD	WHITE	24V	AV1921E124R04	6-2213767-4
	SILVER	WHITE	24V	AV1921E124Q04	6-2213767-3
	GOLD	WHITE	12V	AV1921E112R04	6-2213767-2
	SILVER	WHITE	12V	AV1921E112Q04	6-2213767-1
	GOLD	BLUE	24V	AV1920E724R04	6-2213767-0
	SILVER	BLUE	24V	AV1920E724Q04	5-2213767-9
	GOLD	BLUE	12V	AV1920E712R04	5-2213767-8
	SILVER	BLUE	12V	AV1920E712Q04	5-2213767-7
	GOLD	GREEN	24V	AV1920E624R04	5-2213767-6
	SILVER	GREEN	24V	AV1920E624Q04	5-2213767-5
	GOLD	GREEN	12V	AV1920E612R04	5-2213767-4
	SILVER	GREEN	12V	AV1920E612Q04	5-2213767-3
	GOLD	YELLOW	24V	AV1920E524R04	5-2213767-2
	SILVER	YELLOW	24V	AV1920E524Q04	5-2213767-1
	GOLD	YELLOW	12V	AV1920E512R04	5-2213767-0
	SILVER	YELLOW	12V	AV1920E512Q04	4-2213767-9
GOLD	RED	24V	AV1920E324R04	4-2213767-8	
SILVER	RED	24V	AV1920E324Q04	4-2213767-7	
GOLD	RED	12V	AV1920E312R04	4-2213767-6	
SILVER	RED	12V	AV1920E312Q04	4-2213767-5	
GOLD	WHITE	24V	AV1920E124R04	4-2213767-4	
SILVER	WHITE	24V	AV1920E124Q04	4-2213767-3	
GOLD	WHITE	12V	AV1920E112R04	4-2213767-2	
SILVER	WHITE	12V	AV1920E112Q04	4-2213767-1	

THIS DRAWING IS A CONTROLLED DOCUMENT.		DWN 08FEB2016 NAGALAKSHMI K	 TE Connectivity	
DIMENSIONS: mm [INCHES]		CHK 08FEB2016 HILL RYAN		
TOLERANCES UNLESS OTHERWISE SPECIFIED:		APVD 08FEB2016 HILL RYAN	NAME ANTI-VANDAL SWITCH 19mm MOVING RING LED	
0 PLC ± -		PRODUCT SPEC	SIZE A2	
1 PLC ± -		APPLICATION SPEC	CAGE CODE 00779	
2 PLC ± -		FINISH	DRAWING NO C-2213767	
3 PLC ± -		WEIGHT -	RESTRICTED TO -	
4 PLC ± -		CUSTOMER DRAWING	SCALE 1:1 SHEET 4 OF 4 REV B1	
ANGLES ± -				

X-ON Electronics

Largest Supplier of Electrical and Electronic Components

Click to view similar products for [Pushbutton Switches](#) category:

Click to view products by [TE Connectivity](#) manufacturer:

Other Similar products are found below :

[8940K2012](#) [LW1L-M1C10V-A](#) [LW1L-M1C70-A](#) [LW2L-A1C20M-GD](#) [LW2L-M1C20M-A](#) [60324L](#) [M22-D-R-GB0/K11](#) [M7E-HRN2](#)
[67021K512](#) [67081K512X](#) [701PB580](#) [7199K101](#) [810K12910](#) [810KSV30B](#) [MML21EA2ADK](#) [MML21KA3ABK](#) [MML23KA3AC05K-001](#)
[MML23KW3AA01W](#) [8418K2](#) [8442K3](#) [8450K1](#) [860K11911T01A](#) [861901](#) [861K11911T01A07](#) [861K13810T00A14](#) [861K13911](#)
[8646AB6X718UL](#) [8646ABUL](#) [9001KXRK](#) [907AYY100](#) [PMHD155A1](#) [9533CD4+U574+U4922](#) [95-414.000](#) [99-450.837](#) [99-453.837](#)
[PV3H2B0NN-341](#) [1203MRA](#) [A22NZBGANGA](#) [A22NZBNANGA](#) [A22NZMPATRA](#) [A2PMA1X03EC56](#) [A3A-5123-02](#) [A3A-7140](#) [A3A-7310](#) [A3A-7340](#) [A3U-TMW-A2C-5M](#) [A595](#) [12037A2ULCSA](#) [ABD122N-B](#) [1211390004](#)