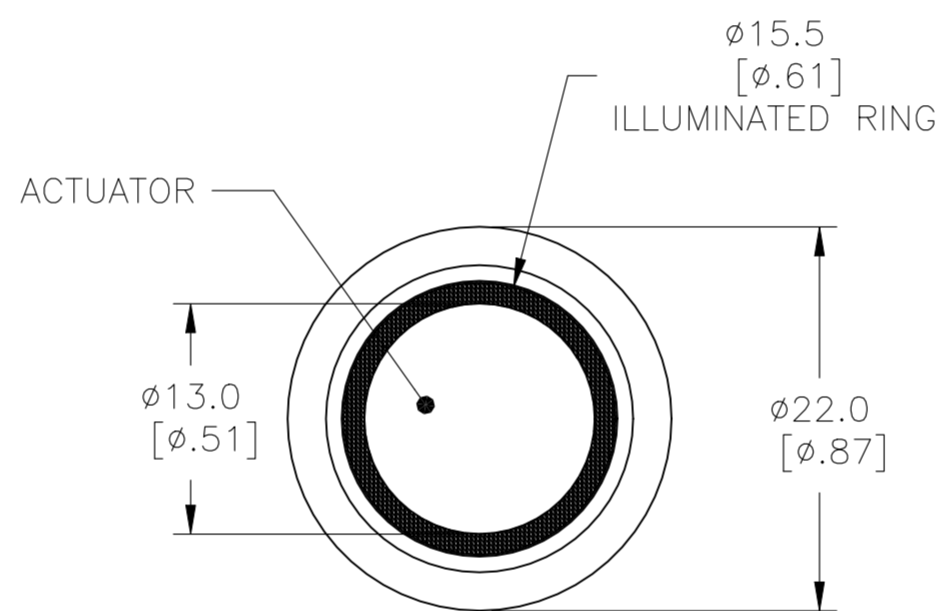
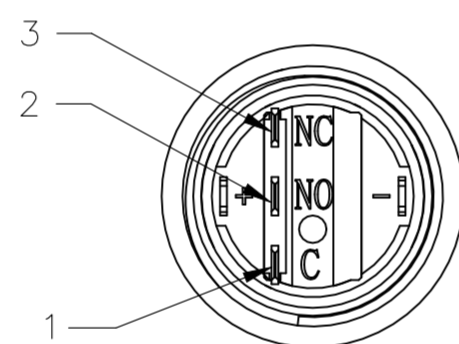
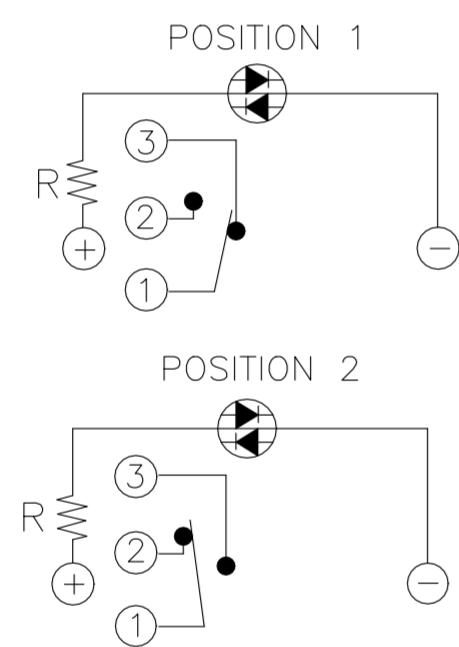
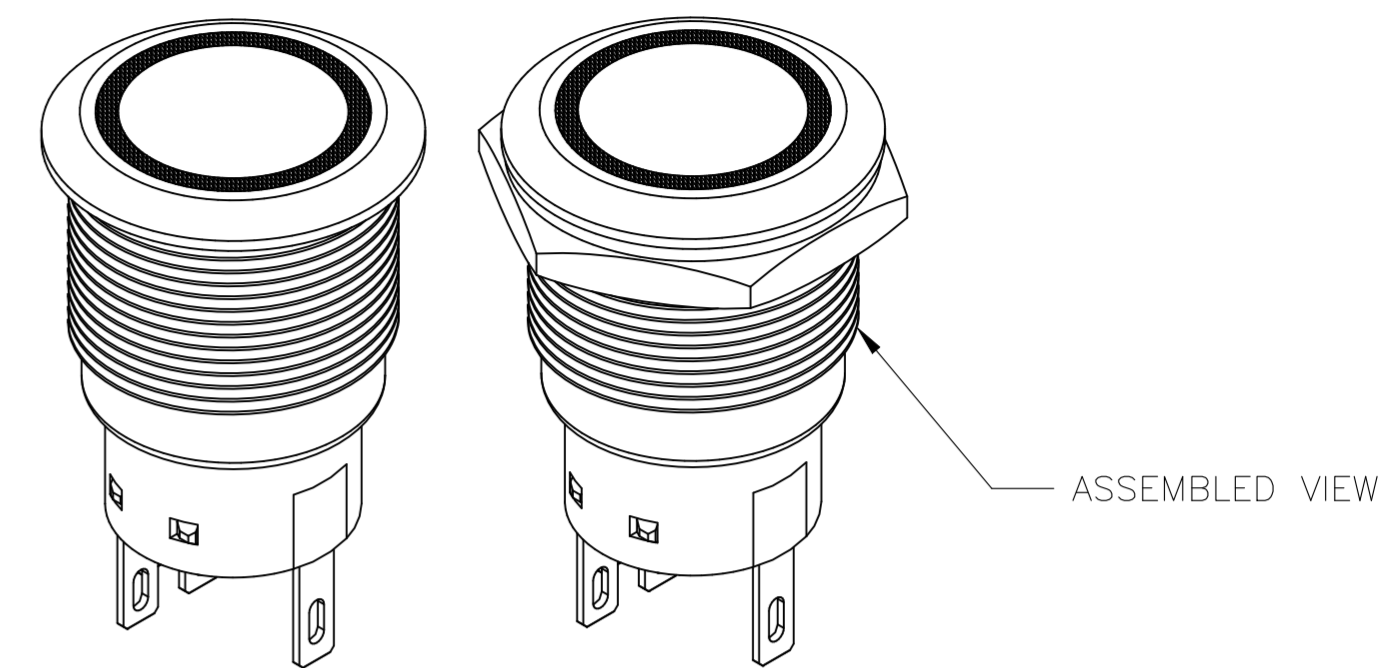
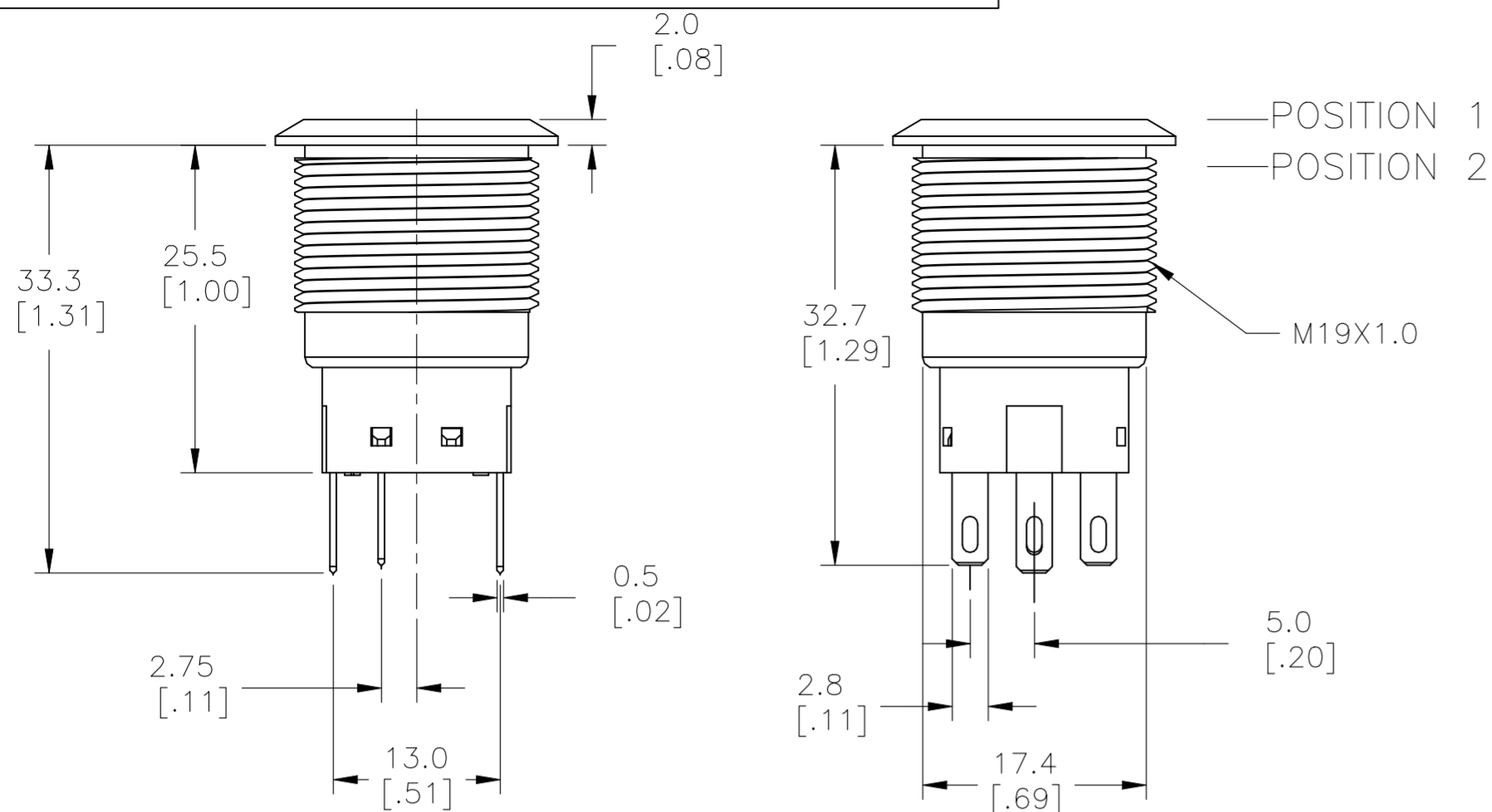


THIS DRAWING IS UNPUBLISHED. RELEASED FOR PUBLICATION  
© COPYRIGHT - By - ALL RIGHTS RESERVED.

| REVISIONS |     |                           |           |     |      |
|-----------|-----|---------------------------|-----------|-----|------|
| P         | LTR | DESCRIPTION               | DATE      | DWN | APVD |
| B1        |     | REVISED PER ECR-21-006029 | 02SEP2021 | VG  | PO   |



### SPECIFICATIONS

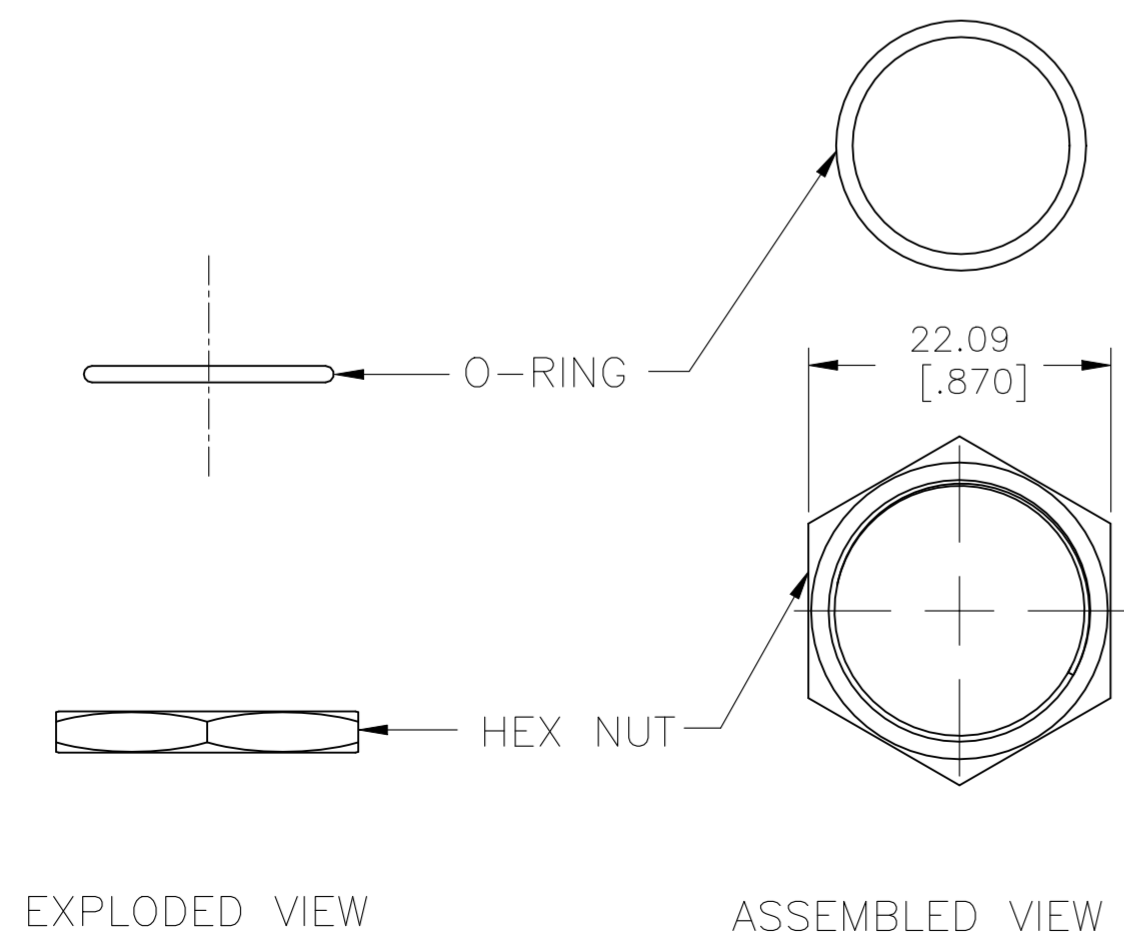
CONTACT RATING: SILVER: 3A @ 250 VAC RESISTIVE  
 GOLD: 0.4VA @ 20VDC OR PEAK AC  
 INSULATION RESISTANCE: 1,000MΩ MIN AT 500VDC  
 DIELECTRIC STRENGTH: 2,000V RMS @ SEA LEVEL  
 CONTACT RESISTANCE: 50 mΩ MAX @ 1A 12VDC (INITIAL VALUE)  
 ELECTRICAL LIFECYCLES: 50,000 MAKE AND BREAK CYCLES AT FULL LOAD

ACTUATION FORCE: SP: 2.5±1 NEWTON, DP: 3.5±1 NEWTON  
 ACTUATION TRAVEL: 3.2mm  
 SEALED PER IP67, IK10 (STAINLESS)  
 OPERATING TEMPERATURE: -20°C TO +55°C  
 MECHANICAL LIFECYCLES: MOMENTARY: 1,000,000 CYCLES  
 LOCKING: 500,000 CYCLES  
 HARDWARE TORQUE: 5-14 N-m

### MATERIALS

BUSHING: STAINLESS STEEL  
 BASE: PBT (UL 94-V0), PC (UL 94-V2)  
 ACTUATOR: STAINLESS STEEL, PC  
 SEALING: O-RING (SILICONE)  
 TERMINAL/CONTACT: COPPER BASE, SILVER/GOLD PLATED  
 HEX NUT: BRASS BASE, NICKEL PLATED

1 ALL MATERIAL AND FINISHES SHALL COMPLY WITH EU DIRECTIVE 2002/95/EC OF 27JAN2003 (ROHS)

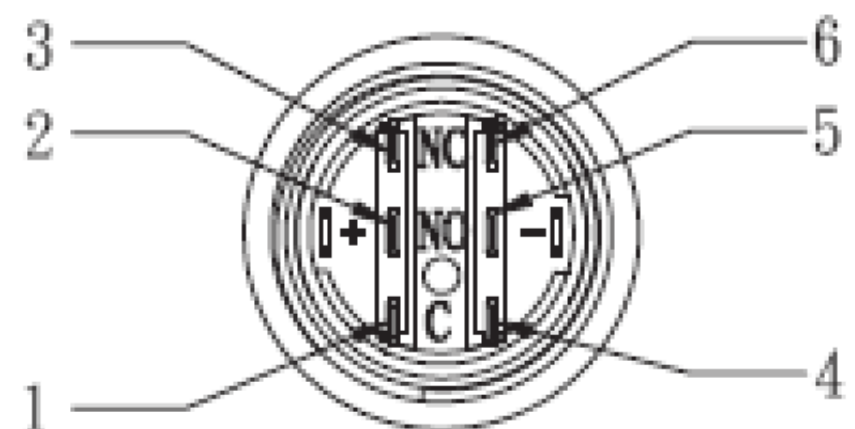
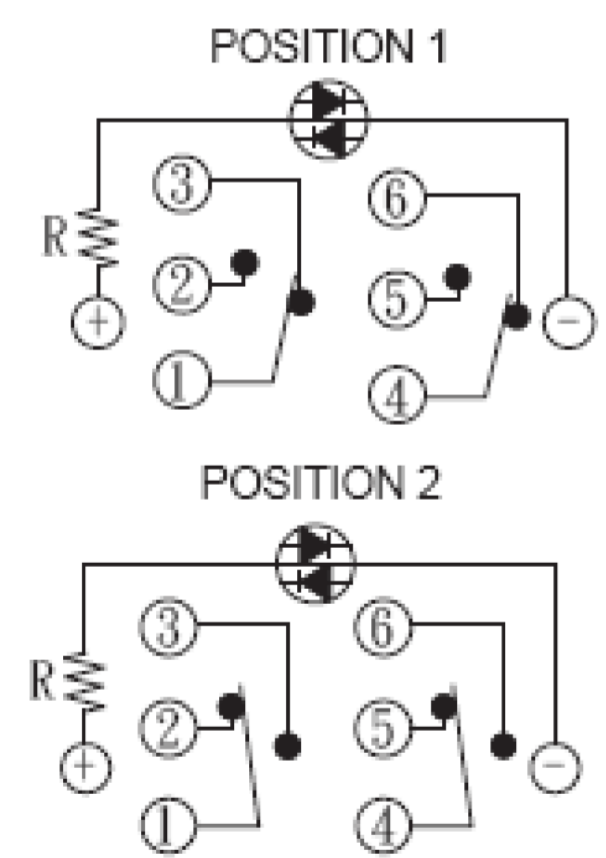
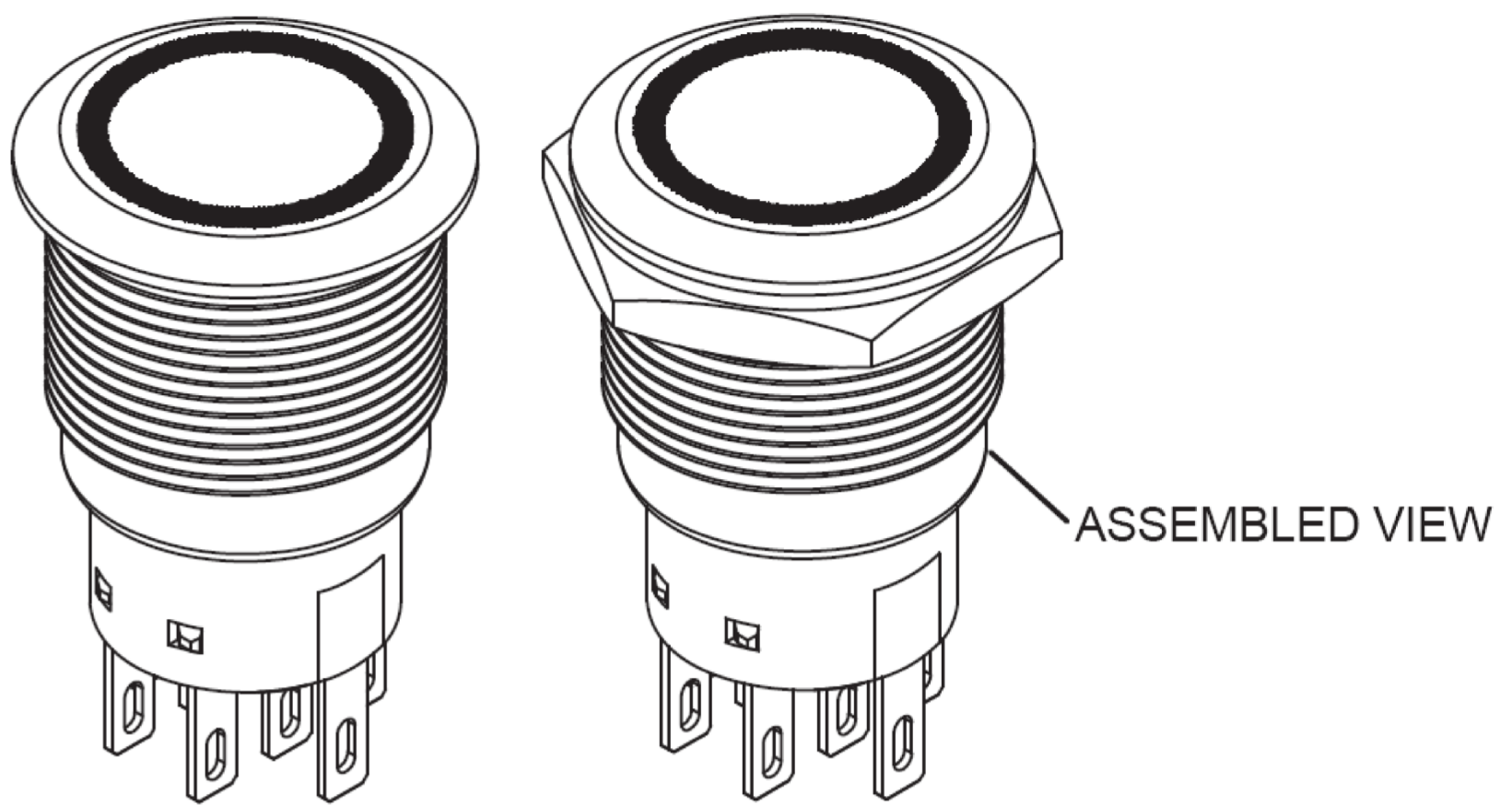
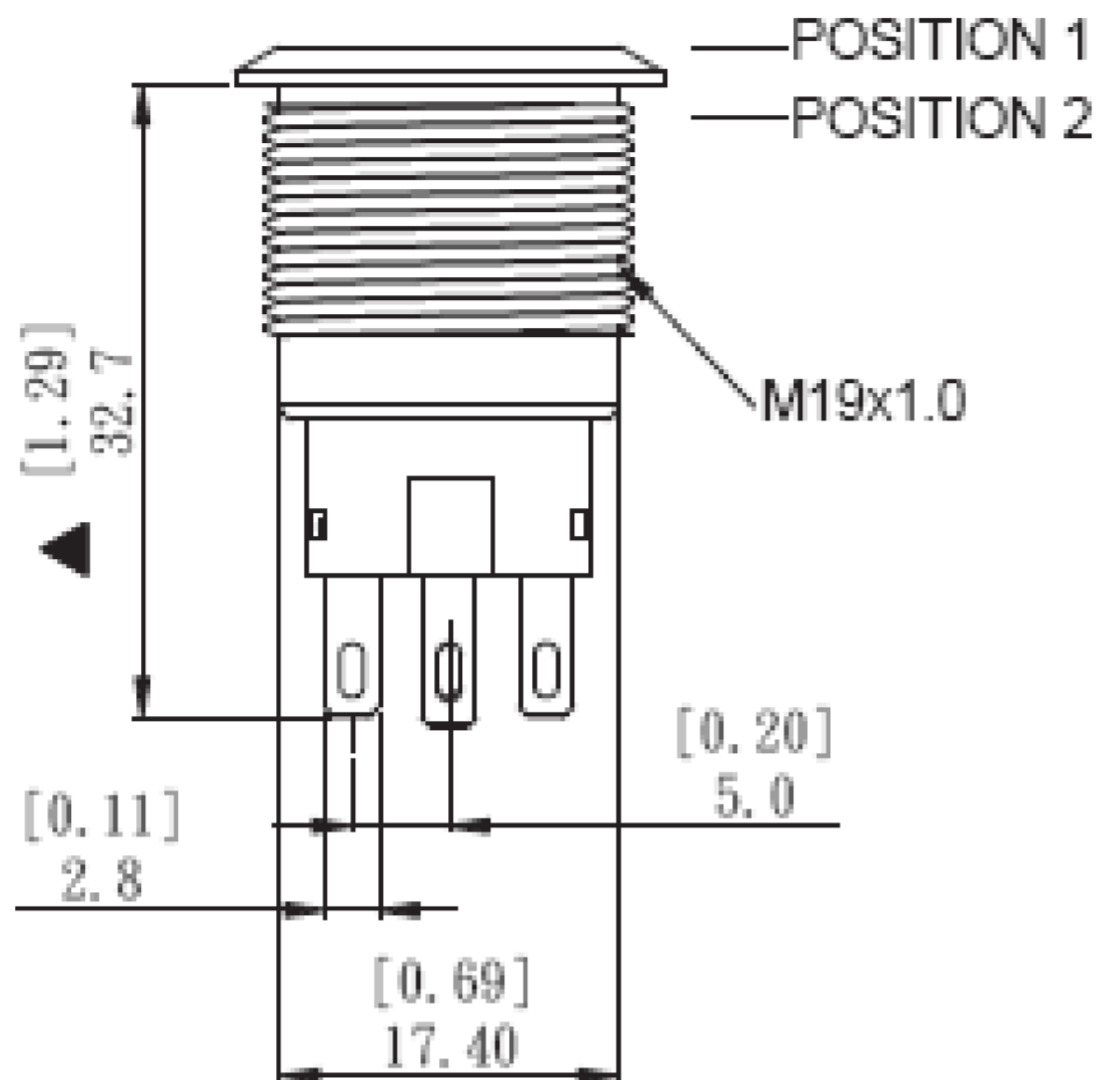
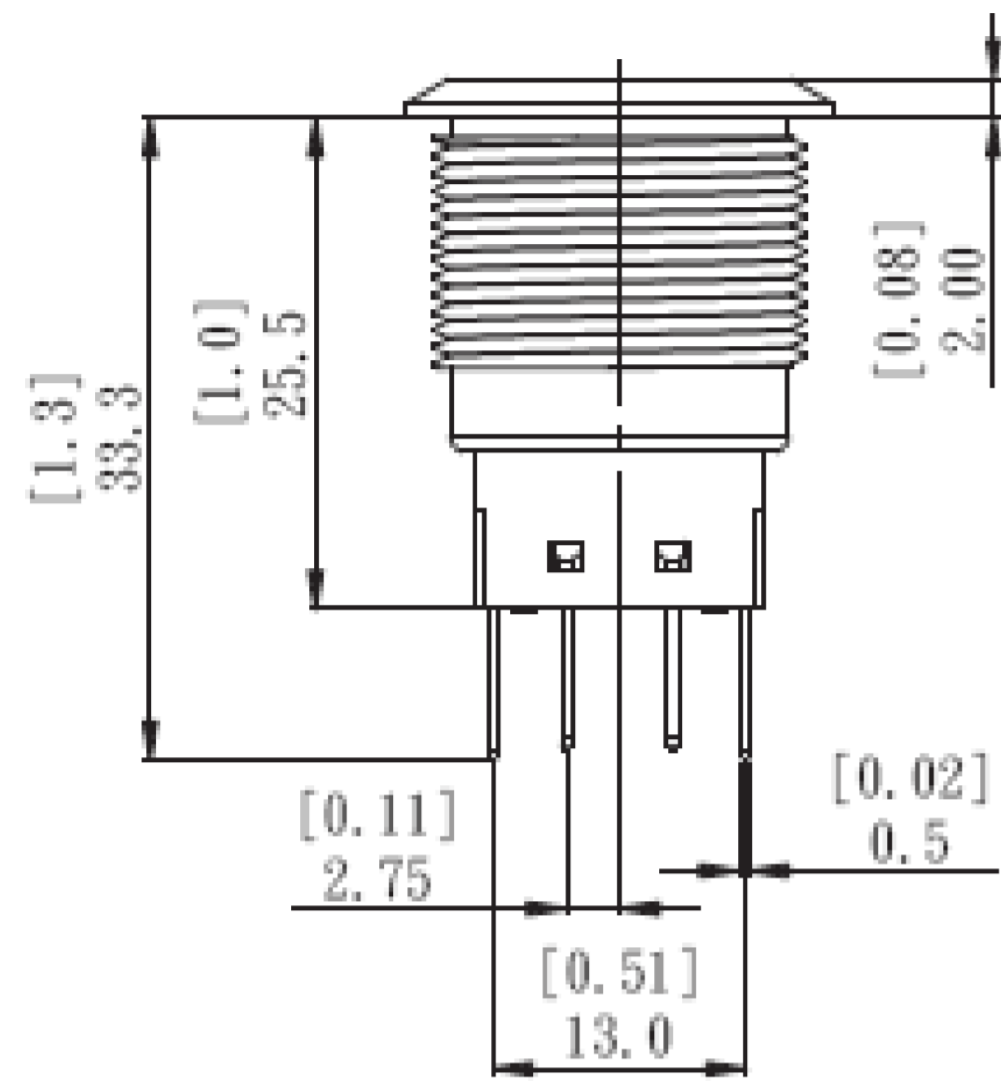


PANEL CUTOUT  
 MAX.PANEL THICKNESS: 10.00[.394]

|   |  |                                   |   |                    |
|---|--|-----------------------------------|---|--------------------|
| THIS DRAWING IS A CONTROLLED DOCUMENT.  |  | DWN<br>NAGALAKSHMI K<br>08FEB2016 | <b>STE</b> TE Connectivity                      |                    |
| DIMENSIONS:<br>mm [INCHES]  |  | CHK<br>HILL RYAN<br>08FEB2016     |   |                    |
| TOLERANCES UNLESS OTHERWISE SPECIFIED:<br>0 PLC ± -<br>1 PLC ± -<br>2 PLC ± -<br>3 PLC ± -<br>4 PLC ± -<br>ANGLES ± - |  | APVD<br>HILL RYAN<br>08FEB2016    | NAME<br>ANTI-VANDAL SWITCH 19mm MOVING RING LED |                    |
| MATERIAL  |  | FINISH                            | SIZE<br>A2                                      | CAGE CODE<br>00779 |
|   |  | WEIGHT<br>0                       | DRAWING NO<br>C=2213767                         | RESTRICTED TO      |
|   |  | CUSTOMER DRAWING                  | SCALE<br>1:1                                    | SHEET<br>1 OF 4    |
|   |  |                                   | REV<br>B1                                       |                    |

THIS DRAWING IS UNPUBLISHED. RELEASED FOR PUBLICATION  
 © COPYRIGHT - By - ALL RIGHTS RESERVED.

| REVISIONS |     |             |      |     |      |
|-----------|-----|-------------|------|-----|------|
| P         | LTR | DESCRIPTION | DATE | DWN | APVD |
| -         | -   | SEE SHEET 1 | -    | -   | -    |




|  |   |                                   |  |                         |       |   |   |       |   |   |       |   |   |       |   |   |        |   |   |                                  |            |                    |
|--|---|-----------------------------------|--|-------------------------|-------|---|---|-------|---|---|-------|---|---|-------|---|---|--------|---|---|----------------------------------|------------|--------------------|
| THIS DRAWING IS A CONTROLLED DOCUMENT.   |   | DWN<br>NAGALAKSHMI K<br>08FEB2016 |  |                         |       |   |   |       |   |   |       |   |   |       |   |   |        |   |   |                                  |            |                    |
| DIMENSIONS:<br>mm [INCHES]   |   | CHK<br>HILL RYAN<br>08FEB2016     |  |                         |       |   |   |       |   |   |       |   |   |       |   |   |        |   |   |                                  |            |                    |
| TOLERANCES UNLESS OTHERWISE SPECIFIED:   |   | APVD<br>HILL RYAN<br>08FEB2016    | NAME<br>ANTI-VANDAL SWITCH 19mm<br>MOVING RING LED |                         |       |   |   |       |   |   |       |   |   |       |   |   |        |   |   |                                  |            |                    |
| <table border="1"> <tr><td>0 PLC</td><td>±</td><td>-</td></tr> <tr><td>1 PLC</td><td>±</td><td>-</td></tr> <tr><td>2 PLC</td><td>±</td><td>-</td></tr> <tr><td>3 PLC</td><td>±</td><td>-</td></tr> <tr><td>4 PLC</td><td>±</td><td>-</td></tr> <tr><td>ANGLES</td><td>±</td><td>-</td></tr> </table> |   | 0 PLC                             | ±  | -                       | 1 PLC | ± | - | 2 PLC | ± | - | 3 PLC | ± | - | 4 PLC | ± | - | ANGLES | ± | - | PRODUCT SPEC<br>APPLICATION SPEC | SIZE<br>A2 | CAGE CODE<br>00779 |
| 0 PLC  | ± | -                                 |  |                         |       |   |   |       |   |   |       |   |   |       |   |   |        |   |   |                                  |            |                    |
| 1 PLC  | ± | -                                 |  |                         |       |   |   |       |   |   |       |   |   |       |   |   |        |   |   |                                  |            |                    |
| 2 PLC  | ± | -                                 |  |                         |       |   |   |       |   |   |       |   |   |       |   |   |        |   |   |                                  |            |                    |
| 3 PLC  | ± | -                                 |  |                         |       |   |   |       |   |   |       |   |   |       |   |   |        |   |   |                                  |            |                    |
| 4 PLC  | ± | -                                 |  |                         |       |   |   |       |   |   |       |   |   |       |   |   |        |   |   |                                  |            |                    |
| ANGLES   | ± | -                                 |  |                         |       |   |   |       |   |   |       |   |   |       |   |   |        |   |   |                                  |            |                    |
| MATERIAL   |   | FINISH                            | WEIGHT<br>-  | DRAWING NO<br>C=2213767 |       |   |   |       |   |   |       |   |   |       |   |   |        |   |   |                                  |            |                    |
|  |   |                                   | RESTRICTED TO<br>-                                 |                         |       |   |   |       |   |   |       |   |   |       |   |   |        |   |   |                                  |            |                    |
| CUSTOMER DRAWING   |   |                                   | SCALE<br>1:1                                       | SHEET<br>2 of 4         |       |   |   |       |   |   |       |   |   |       |   |   |        |   |   |                                  |            |                    |
|  |   |                                   | REV<br>B1  |                         |       |   |   |       |   |   |       |   |   |       |   |   |        |   |   |                                  |            |                    |

THIS DRAWING IS UNPUBLISHED. RELEASED FOR PUBLICATION  
 © COPYRIGHT - By - ALL RIGHTS RESERVED.

| REVISIONS |     |             |      |      |
|-----------|-----|-------------|------|------|
| P         | LTR | DESCRIPTION | DATE | APVD |
| -         | -   | SEE SHEET 1 | -    | -    |

| POLE/THROW            | CONTACT | LED COLOR | LED VOLTAGE   | TE DESCRIPTIVE PN | TE PART NUMBER |
|-----------------------|---------|-----------|---------------|-------------------|----------------|
| SINGLE POLE-LOCKING   | GOLD    | BLUE      | 24V           | AV1911E724R04     | 4-2213767-0    |
|                       | SILVER  | BLUE      | 24V           | AV1911E724Q04     | 3-2213767-9    |
|                       | GOLD    | BLUE      | 12V           | AV1911E712R04     | 3-2213767-8    |
|                       | SILVER  | BLUE      | 12V           | AV1911E712Q04     | 3-2213767-7    |
|                       | GOLD    | GREEN     | 24V           | AV1911E624R04     | 3-2213767-6    |
|                       | SILVER  | GREEN     | 24V           | AV1911E624Q04     | 3-2213767-5    |
|                       | GOLD    | GREEN     | 12V           | AV1911E612R04     | 3-2213767-4    |
|                       | SILVER  | GREEN     | 12V           | AV1911E612Q04     | 3-2213767-3    |
|                       | GOLD    | YELLOW    | 24V           | AV1911E524R04     | 3-2213767-2    |
|                       | SILVER  | YELLOW    | 24V           | AV1911E524Q04     | 3-2213767-1    |
|                       | GOLD    | YELLOW    | 12V           | AV1911E512R04     | 3-2213767-0    |
|                       | SILVER  | YELLOW    | 12V           | AV1911E512Q04     | 2-2213767-9    |
|                       | GOLD    | RED       | 24V           | AV1911E324R04     | 2-2213767-8    |
|                       | SILVER  | RED       | 24V           | AV1911E324Q04     | 2-2213767-7    |
|                       | GOLD    | RED       | 12V           | AV1911E312R04     | 2-2213767-6    |
|                       | SILVER  | RED       | 12V           | AV1911E312Q04     | 2-2213767-5    |
| GOLD                  | WHITE   | 24V       | AV1911E124R04 | 2-2213767-4       |                |
| SILVER                | WHITE   | 24V       | AV1911E124Q04 | 2-2213767-3       |                |
| GOLD                  | WHITE   | 12V       | AV1911E112R04 | 2-2213767-2       |                |
| SILVER                | WHITE   | 12V       | AV1911E112Q04 | 2-2213767-1       |                |
| SINGLE POLE-MOMENTARY | GOLD    | BLUE      | 24V           | AV1910E724R04     | 2-2213767-0    |
|                       | SILVER  | BLUE      | 24V           | AV1910E724Q04     | 1-2213767-9    |
|                       | GOLD    | BLUE      | 12V           | AV1910E712R04     | 1-2213767-8    |
|                       | SILVER  | BLUE      | 12V           | AV1910E712Q04     | 1-2213767-7    |
|                       | GOLD    | GREEN     | 24V           | AV1910E624R04     | 1-2213767-6    |
|                       | SILVER  | GREEN     | 24V           | AV1910E624Q04     | 1-2213767-5    |
|                       | GOLD    | GREEN     | 12V           | AV1910E612R04     | 1-2213767-4    |
|                       | SILVER  | GREEN     | 12V           | AV1910E612Q04     | 1-2213767-3    |
|                       | GOLD    | YELLOW    | 24V           | AV1910E524R04     | 1-2213767-2    |
|                       | SILVER  | YELLOW    | 24V           | AV1910E524Q04     | 1-2213767-1    |
|                       | GOLD    | YELLOW    | 12V           | AV1910E512R04     | 1-2213767-0    |
|                       | SILVER  | YELLOW    | 12V           | AV1910E512Q04     | 2213767-9      |
|                       | GOLD    | RED       | 24V           | AV1910E324R04     | 2213767-8      |
|                       | SILVER  | RED       | 24V           | AV1910E324Q04     | 2213767-7      |
|                       | GOLD    | RED       | 12V           | AV1910E312R04     | 2213767-6      |
|                       | SILVER  | RED       | 12V           | AV1910E312Q04     | 2213767-5      |
| GOLD                  | WHITE   | 24V       | AV1910E124R04 | 2213767-4         |                |
| SILVER                | WHITE   | 24V       | AV1910E124Q04 | 2213767-3         |                |
| GOLD                  | WHITE   | 12V       | AV1910E112R04 | 2213767-2         |                |
| SILVER                | WHITE   | 12V       | AV1910E112Q04 | 2213767-1         |                |

|   |          |                                      |   |                 |                      |
|---|----------|--------------------------------------|---|-----------------|----------------------|
| THIS DRAWING IS A CONTROLLED DOCUMENT.                                      |          | DWN 08FEB2016<br>NAGALAKSHMI K       |  TE Connectivity |                 |                      |
| DIMENSIONS: mm [INCHES]   |          | CHK 08FEB2016<br>HILL RYAN           |   |                 |                      |
| TOLERANCES UNLESS OTHERWISE SPECIFIED:                                      |          | APVD 08FEB2016<br>HILL RYAN          | NAME ANTI-VANDAL SWITCH 19mm MOVING RING LED  |                 |                      |
| 0 PLC ± -<br>1 PLC ± -<br>2 PLC ± -<br>3 PLC ± -<br>4 PLC ± -<br>ANGLES ± - |          | PRODUCT SPEC -<br>APPLICATION SPEC - | SIZE A2   | CAGE CODE 00779 | DRAWING NO C-2213767 |
| MATERIAL -  | FINISH - | WEIGHT -                             | SCALE 1:1   | SHEET 3 of 4    | REV B1               |
| CUSTOMER DRAWING  |          |                                      |   |                 |                      |

D

D

C

C

B

B


A

A

THIS DRAWING IS UNPUBLISHED. RELEASED FOR PUBLICATION  
 © COPYRIGHT - By - ALL RIGHTS RESERVED.

| REVISIONS |     |             |      |      |
|-----------|-----|-------------|------|------|
| P         | LTR | DESCRIPTION | DATE | APVD |
| -         | -   | SEE SHEET 1 | -    | -    |

| POLE/THROW            | CONTACT | LED COLOR | LED VOLTAGE   | TE DESCRIPTIVE PN | TE PART NUMBER |
|-----------------------|---------|-----------|---------------|-------------------|----------------|
| DOUBLE POLE-LOCKING   | GOLD    | BLUE      | 24V           | AV1921E724R04     | 8-2213767-0    |
|                       | SILVER  | BLUE      | 24V           | AV1921E724Q04     | 7-2213767-9    |
|                       | GOLD    | BLUE      | 12V           | AV1921E712R04     | 7-2213767-8    |
|                       | SILVER  | BLUE      | 12V           | AV1921E712Q04     | 7-2213767-7    |
|                       | GOLD    | GREEN     | 24V           | AV1921E624R04     | 7-2213767-6    |
|                       | SILVER  | GREEN     | 24V           | AV1921E624Q04     | 7-2213767-5    |
|                       | GOLD    | GREEN     | 12V           | AV1921E612R04     | 7-2213767-4    |
|                       | SILVER  | GREEN     | 12V           | AV1921E612Q04     | 7-2213767-3    |
|                       | GOLD    | YELLOW    | 24V           | AV1921E524R04     | 7-2213767-2    |
|                       | SILVER  | YELLOW    | 24V           | AV1921E524Q04     | 7-2213767-1    |
|                       | GOLD    | YELLOW    | 12V           | AV1921E512R04     | 7-2213767-0    |
|                       | SILVER  | YELLOW    | 12V           | AV1921E512Q04     | 6-2213767-9    |
|                       | GOLD    | RED       | 24V           | AV1921E324R04     | 6-2213767-8    |
|                       | SILVER  | RED       | 24V           | AV1921E324Q04     | 6-2213767-7    |
|                       | GOLD    | RED       | 12V           | AV1921E312R04     | 6-2213767-6    |
|                       | SILVER  | RED       | 12V           | AV1921E312Q04     | 6-2213767-5    |
| DOUBLE POLE-MOMENTARY | GOLD    | WHITE     | 24V           | AV1921E124R04     | 6-2213767-4    |
|                       | SILVER  | WHITE     | 24V           | AV1921E124Q04     | 6-2213767-3    |
|                       | GOLD    | WHITE     | 12V           | AV1921E112R04     | 6-2213767-2    |
|                       | SILVER  | WHITE     | 12V           | AV1921E112Q04     | 6-2213767-1    |
|                       | GOLD    | BLUE      | 24V           | AV1920E724R04     | 6-2213767-0    |
|                       | SILVER  | BLUE      | 24V           | AV1920E724Q04     | 5-2213767-9    |
|                       | GOLD    | BLUE      | 12V           | AV1920E712R04     | 5-2213767-8    |
|                       | SILVER  | BLUE      | 12V           | AV1920E712Q04     | 5-2213767-7    |
|                       | GOLD    | GREEN     | 24V           | AV1920E624R04     | 5-2213767-6    |
|                       | SILVER  | GREEN     | 24V           | AV1920E624Q04     | 5-2213767-5    |
|                       | GOLD    | GREEN     | 12V           | AV1920E612R04     | 5-2213767-4    |
|                       | SILVER  | GREEN     | 12V           | AV1920E612Q04     | 5-2213767-3    |
|                       | GOLD    | YELLOW    | 24V           | AV1920E524R04     | 5-2213767-2    |
|                       | SILVER  | YELLOW    | 24V           | AV1920E524Q04     | 5-2213767-1    |
|                       | GOLD    | YELLOW    | 12V           | AV1920E512R04     | 5-2213767-0    |
|                       | SILVER  | YELLOW    | 12V           | AV1920E512Q04     | 4-2213767-9    |
| GOLD                  | RED     | 24V       | AV1920E324R04 | 4-2213767-8       |                |
| SILVER                | RED     | 24V       | AV1920E324Q04 | 4-2213767-7       |                |
| GOLD                  | RED     | 12V       | AV1920E312R04 | 4-2213767-6       |                |
| SILVER                | RED     | 12V       | AV1920E312Q04 | 4-2213767-5       |                |
| GOLD                  | WHITE   | 24V       | AV1920E124R04 | 4-2213767-4       |                |
| SILVER                | WHITE   | 24V       | AV1920E124Q04 | 4-2213767-3       |                |
| GOLD                  | WHITE   | 12V       | AV1920E112R04 | 4-2213767-2       |                |
| SILVER                | WHITE   | 12V       | AV1920E112Q04 | 4-2213767-1       |                |

|   |  |                                      |   |                 |                      |
|---|--|--------------------------------------|---|-----------------|----------------------|
| THIS DRAWING IS A CONTROLLED DOCUMENT.                                      |  | DWN 08FEB2016<br>NAGALAKSHMI K       |  TE Connectivity |                 |                      |
| DIMENSIONS: mm [INCHES]   |  | CHK 08FEB2016<br>HILL RYAN           |   |                 |                      |
| TOLERANCES UNLESS OTHERWISE SPECIFIED:                                      |  | APVD 08FEB2016<br>HILL RYAN          | NAME ANTI-VANDAL SWITCH 19mm MOVING RING LED  |                 |                      |
| 0 PLC ± -<br>1 PLC ± -<br>2 PLC ± -<br>3 PLC ± -<br>4 PLC ± -<br>ANGLES ± - |  | PRODUCT SPEC -<br>APPLICATION SPEC - | SIZE A2   | CAGE CODE 00779 | DRAWING NO C-2213767 |
| MATERIAL -  |  | FINISH -                             | WEIGHT -  | SCALE 1:1       | SHEET 4 OF 4         |
| CUSTOMER DRAWING  |  |                                      | RESTRICTED TO -   | REV B1          |                      |

## X-ON Electronics

Largest Supplier of Electrical and Electronic Components

*Click to view similar products for [Pushbutton Switches](#) category:*

*Click to view products by [TE Connectivity](#) manufacturer:*

Other Similar products are found below :

[8940K2012](#) [LW1L-M1C10V-A](#) [LW1L-M1C70-A](#) [LW2L-A1C20M-GD](#) [LW2L-M1C20M-A](#) [60324L](#) [M22-D-R-GB0/K11](#) [M7E-HRN2](#)  
[67021K512](#) [67081K512X](#) [701PB580](#) [7199K101](#) [810K12910](#) [810KSV30B](#) [MML21EA2ADK](#) [MML21KA3ABK](#) [MML23KA3AC05K-001](#)  
[MML23KW3AA01W](#) [8418K2](#) [8442K3](#) [8450K1](#) [860K11911T01A](#) [861901](#) [861K11911T01A07](#) [861K13810T00A14](#) [861K13911](#)  
[8646AB6X718UL](#) [8646ABUL](#) [9001KXRK](#) [907AYY100](#) [PMHD155A1](#) [9533CD4+U574+U4922](#) [95-414.000](#) [99-450.837](#) [99-453.837](#)  
[PV3H2B0NN-341](#) [1203MRA](#) [A22NZBGANGA](#) [A22NZBNANGA](#) [A22NZMPATRA](#) [A2PMA1X03EC56](#) [A3A-5123-02](#) [A3A-7140](#) [A3A-7310](#) [A3A-7340](#) [A3U-TMW-A2C-5M](#) [A595](#) [12037A2ULCSA](#) [ABD122N-B](#) [1211390004](#)