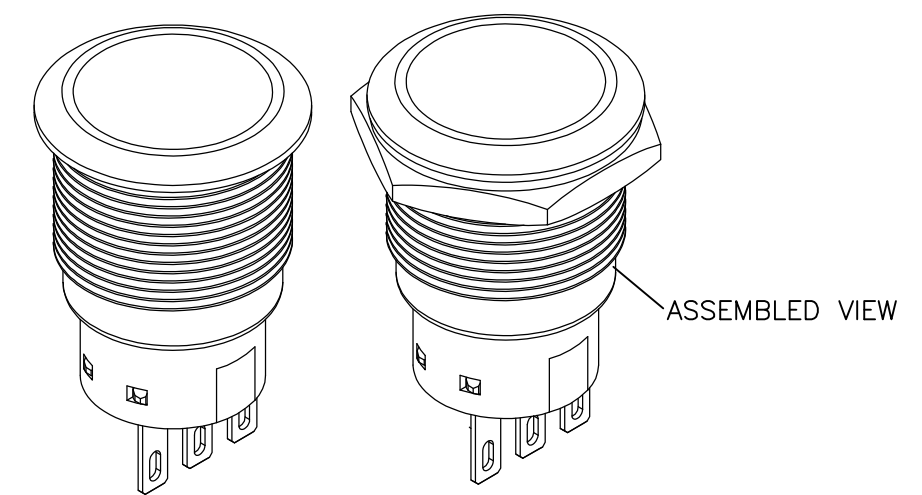
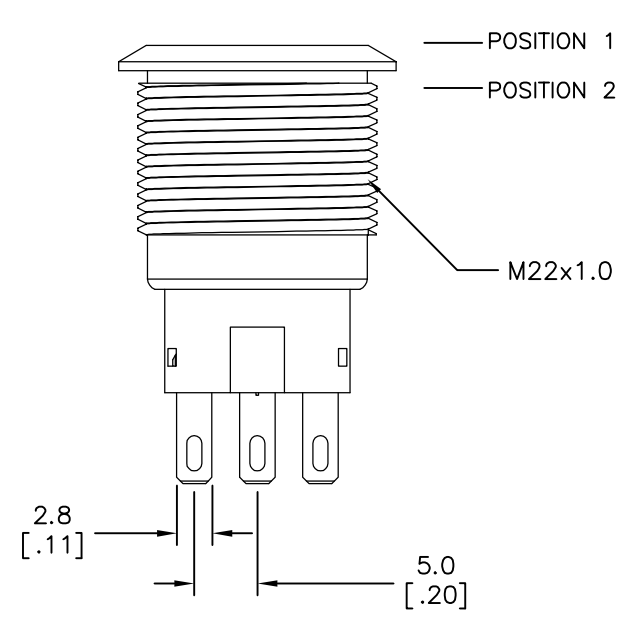
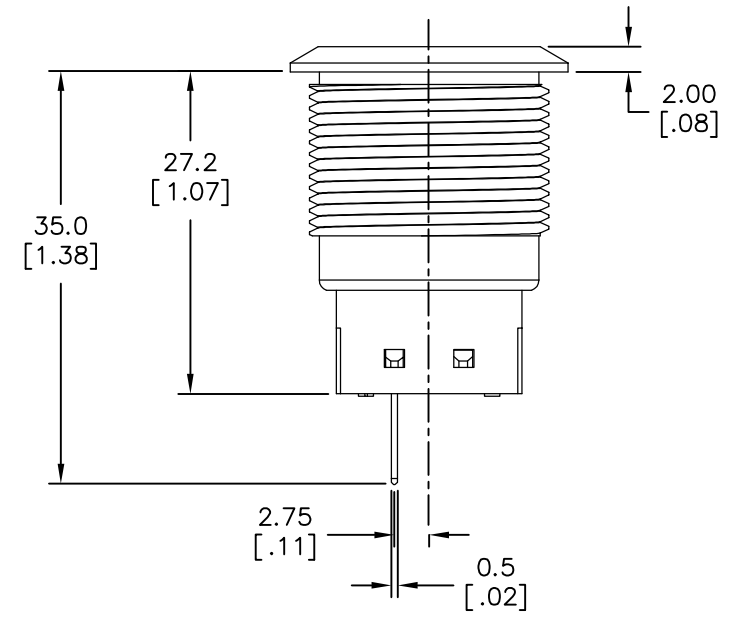


REVISIONS					
P	LTR	DESCRIPTION	DATE	DWN	APVD
B1		REVISED PER ECR-16-009232	29JUN2016	RS	SS



SPECIFICATIONS

CONTACT RATING: SILVER: 3A @ 250 VAC RESISTIVE
 GOLD: 0.4VA @ 20VDC OR PEAK AC
 INSULATION RESISTANCE: 1,000MΩ MIN AT 500VDC
 DIELECTRIC STRENGTH: 2,000V RMS @ SEA LEVEL
 CONTACT RESISTANCE: 50 mΩ MAX @ 1A 12VDC (INITIAL VALUE)
 ELECTRICAL LIFECYCLES: 50,000 MAKE AND BREAK CYCLES AT FULL LOAD

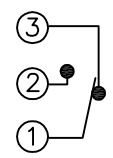
ACTUATION FORCE: SP: 2.5±1 NEWTON, DP: 3.5±1 NEWTON
 ACTUATION TRAVEL: 3.2mm
 SEALED PER IP67, IK10 (STAINLESS)
 OPERATING TEMPERATURE: -20°C TO +55°C
 MECHANICAL LIFECYCLES: MOMENTARY: 1,000,000 CYCLES
 LOCKING: 500,000 CYCLES
 HARDWARE TORQUE: 5-14 N·m

MATERIALS

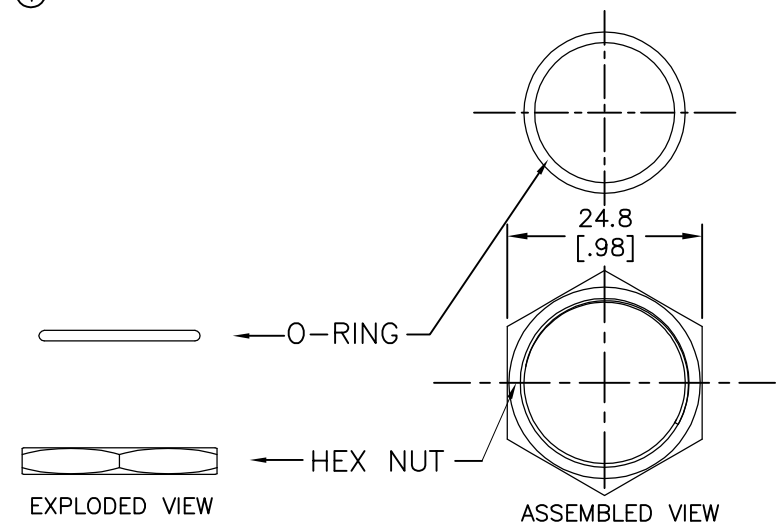
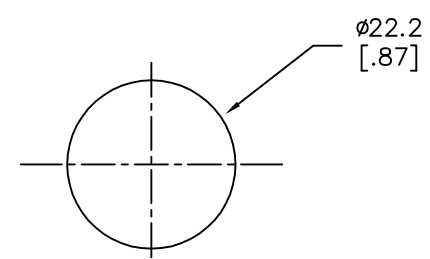
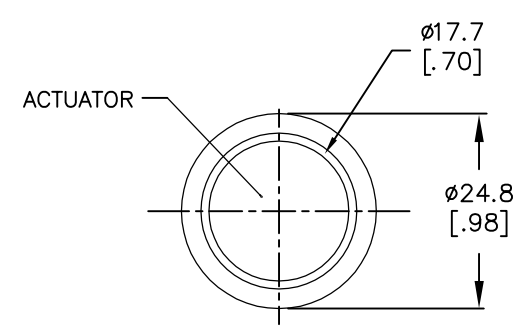
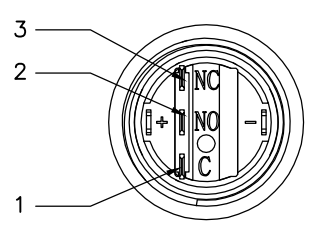
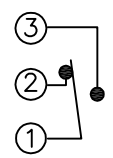
BUSHING: STAINLESS STEEL
 BASE: PBT (UL 94-V0), PC (UL 94-V2)
 ACTUATOR: STAINLESS STEEL, PC
 SEALING: O-RING (SILICONE)
 TERMINAL/CONTACT: COPPER BASE, SILVER/GOLD PLATED
 HEX NUT: BRASS BASE, NICKEL PLATED

1 ALL MATERIAL AND FINISHES SHALL COMPLY WITH EU DIRECTIVE 2002/95/EC OF 27JAN2003 (ROHS)

POSITION 1



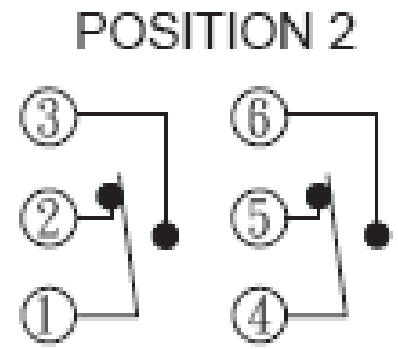
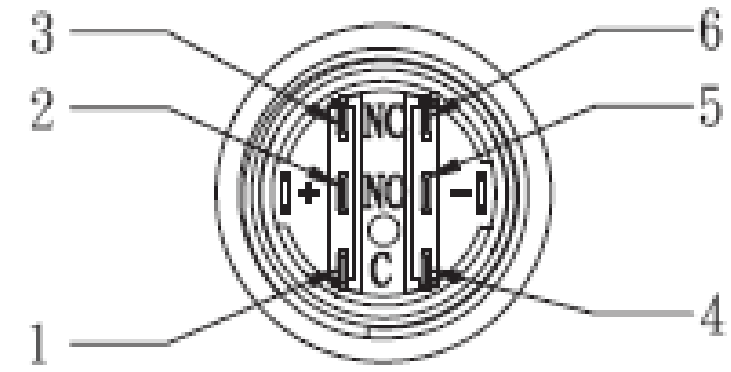
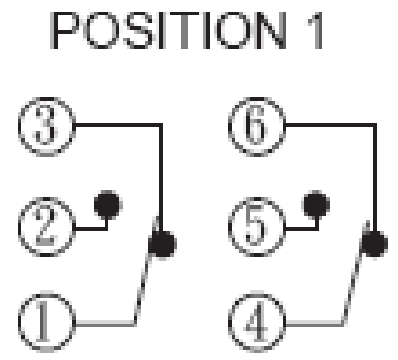
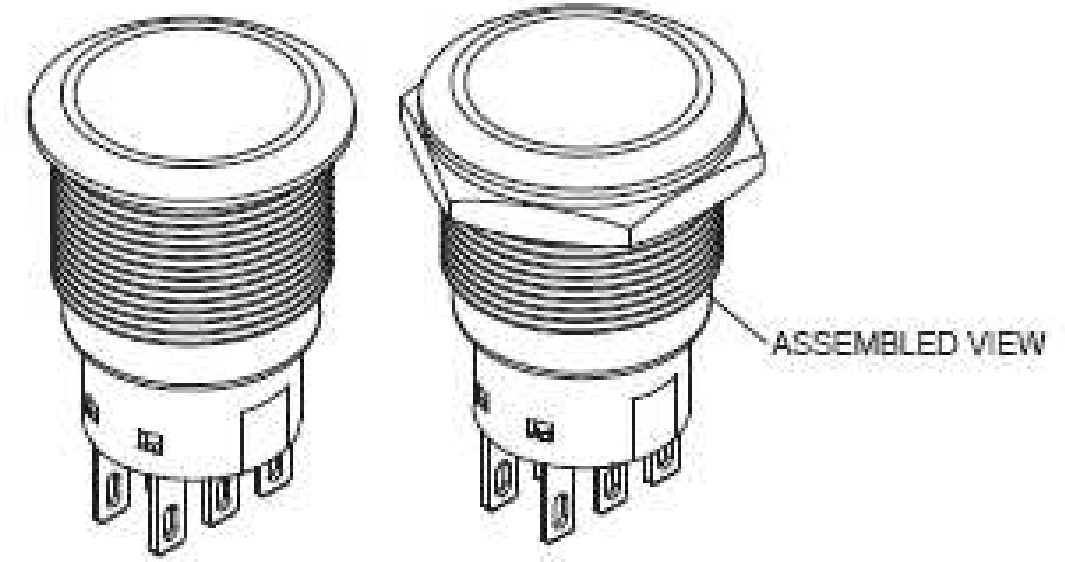
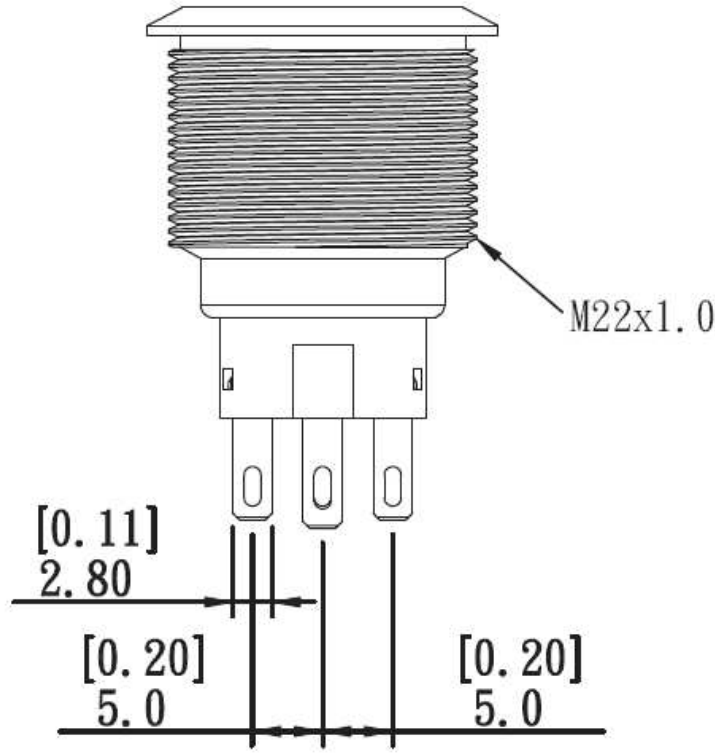
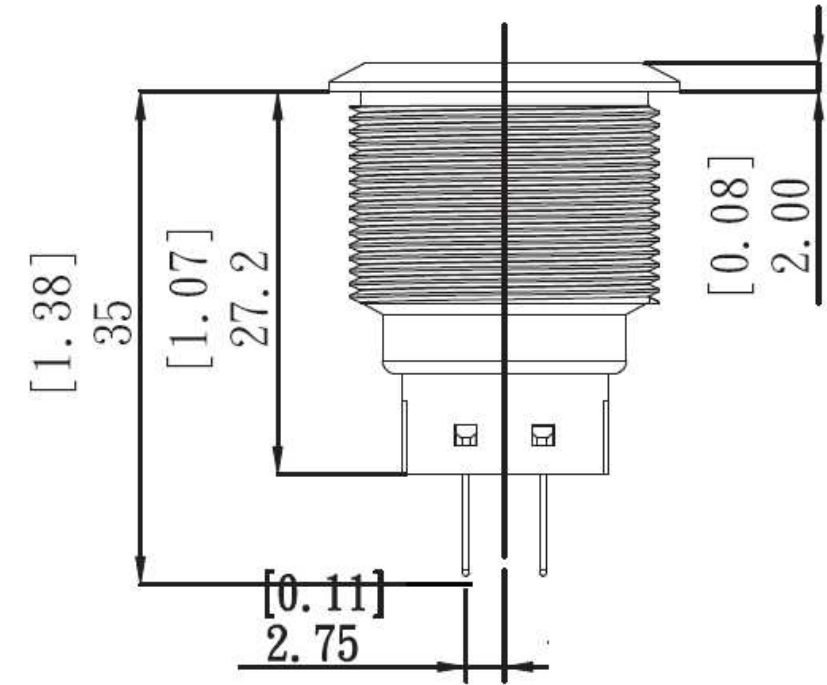
POSITION 2



THIS DRAWING IS A CONTROLLED DOCUMENT.		DWN NAGALAKSHMI K	09FEB2016	STE TE Connectivity	
DIMENSIONS: mm [INCHES]		CHK HILL RYAN	09FEB2016		
TOLERANCES UNLESS OTHERWISE SPECIFIED:		APVD HILL RYAN	09FEB2016	NAME	
0 PLC ± -		PRODUCT SPEC		ANTI-VANDAL SWITCH 22mm NO LED	
1 PLC ± -		APPLICATION SPEC		SIZE CAGE CODE DRAWING NO RESTRICTED TO	
2 PLC ± -		WEIGHT		A2 00779 C-2213771	
3 PLC ± -		CUSTOMER DRAWING		SCALE 8:1 SHEET 1 of 3 REV B1	
4 PLC ± -					
ANGLES ± -					
FINISH					

THIS DRAWING IS UNPUBLISHED. RELEASED FOR PUBLICATION
 © COPYRIGHT - By - ALL RIGHTS RESERVED.

REVISIONS				
P	LTR	DESCRIPTION	DATE	APVD
-	-	SEE SHEET 1	-	-



THIS DRAWING IS A CONTROLLED DOCUMENT.		DWN NAGALAKSHMI K 09FEB2016	STE TE Connectivity	
DIMENSIONS: mm [INCHES]		CHK HILL RYAN 09FEB2016		
TOLERANCES UNLESS OTHERWISE SPECIFIED:		APVD HILL RYAN 09FEB2016	NAME	
0 PLC ± -		PRODUCT SPEC		
1 PLC ± -		APPLICATION SPEC		
2 PLC ± -		SIZE CAGE CODE DRAWING NO RESTRICTED TO		
3 PLC ± -		A2 00779 C-2213771		
4 PLC ± -		WEIGHT -		
ANGLES ± -		CUSTOMER DRAWING SCALE NTS SHEET 2 of 3 REV B1		
FINISH -				

4

3

2

1

THIS DRAWING IS UNPUBLISHED. RELEASED FOR PUBLICATION
 © COPYRIGHT - SEE SHEET 1 ALL RIGHTS RESERVED.

REVISIONS					
P	LTR	DESCRIPTION	DATE	DWN	APVD
-	-	SEE SHEET 1	-	-	-

D

D

C

C

B

B

A

A

2213771

DOUBLE POLE -LOCKING	GOLD	-	-	AV2221000R04	2213771-8
	SILVER	-	-	AV2221000Q04	2213771-7
DOUBLE POLE- MOMENTARY	GOLD	-	-	AV2220000R04	2213771-6
	SILVER	-	-	AV2220000Q04	2213771-5
SINGLE POLE- LOCKING	GOLD	-	-	AV2211000R04	2213771-4
	SILVER	-	-	AV2211000Q04	2213771-3
SINGLE POLE- MOMENTARY	GOLD	-	-	AV2210000R04	2213771-2
	SILVER	-	-	AV2210000Q04	2213771-1
POLE/THROW	CONTACT	LED COLOUR	LED VOLTAGE	TE DESCRIPTIVE PN	TE PART NUMBER

THIS DRAWING IS A CONTROLLED DOCUMENT.		DWN NAGALAKSHMI K 09FEB2016	STE TE Connectivity		
DIMENSIONS: mm [INCHES]		CHK HILL RYAN 09FEB2016			
TOLERANCES UNLESS OTHERWISE SPECIFIED:		APVD HILL RYAN 09FEB2016	NAME		
0 PLC ± -		PRODUCT SPEC			
1 PLC ± -		APPLICATION SPEC			
2 PLC ± -		SIZE CAGE CODE DRAWING NO RESTRICTED TO			
3 PLC ± -		A2 00779 C-2213771			
4 PLC ± -		CUSTOMER DRAWING SCALE NTS SHEET 3 of 3 REV B1			
ANGLES ± -					
FINISH					

X-ON Electronics

Largest Supplier of Electrical and Electronic Components

Click to view similar products for [Pushbutton Switches](#) category:

Click to view products by [TE Connectivity](#) manufacturer:

Other Similar products are found below :

[8940K2012](#) [LW1L-M1C10V-A](#) [LW1L-M1C70-A](#) [LW2L-A1C20M-GD](#) [LW2L-M1C20M-A](#) [60324L](#) [M22-D-R-GB0/K11](#) [M7E-HRN2](#)
[67021K512](#) [67081K512X](#) [701PB580](#) [7199K101](#) [810K12910](#) [810KSV30B](#) [MML21EA2ADK](#) [MML21KA3ABK](#) [MML23KA3AC05K-001](#)
[MML23KW3AA01W](#) [8418K2](#) [8442K2](#) [8442K3](#) [8450K1](#) [860K11911T01A](#) [861901](#) [861K11911T01A07](#) [861K13810T00A14](#) [861K13911](#)
[8646AB6X718UL](#) [8646ABUL](#) [9001KXRK](#) [907AYY100](#) [PMHD155A1](#) [9533CD4+U574+U4922](#) [95-414.000](#) [99-450.837](#) [99-453.837](#)
[PV3H2B0NN-341](#) [1203MRA](#) [A22NZBGANGA](#) [A22NZBNANGA](#) [A22NZMPATRA](#) [A2PMA1X03EC56](#) [A3A-5123-02](#) [A3A-7140](#) [A3A-7310](#) [A3A-7340](#) [A3U-TMW-A2C-5M](#) [A595](#) [12037A2ULCSA](#) [ABD122N-B](#)