

THIS DRAWING IS UNPUBLISHED.

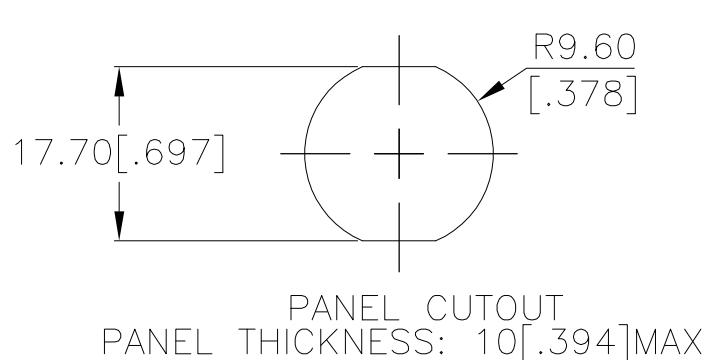
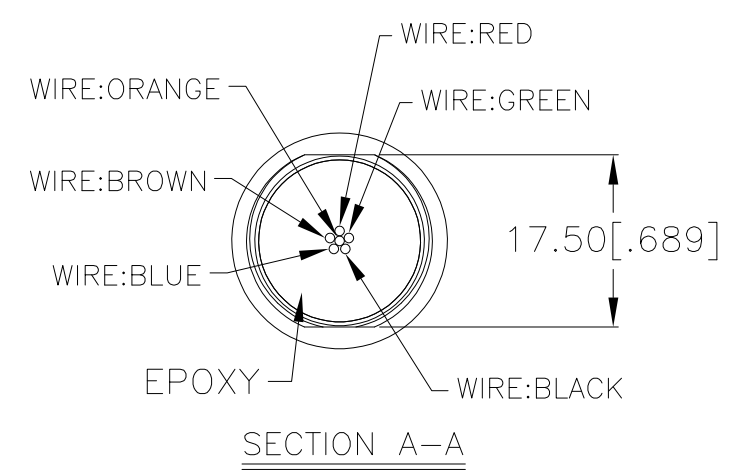
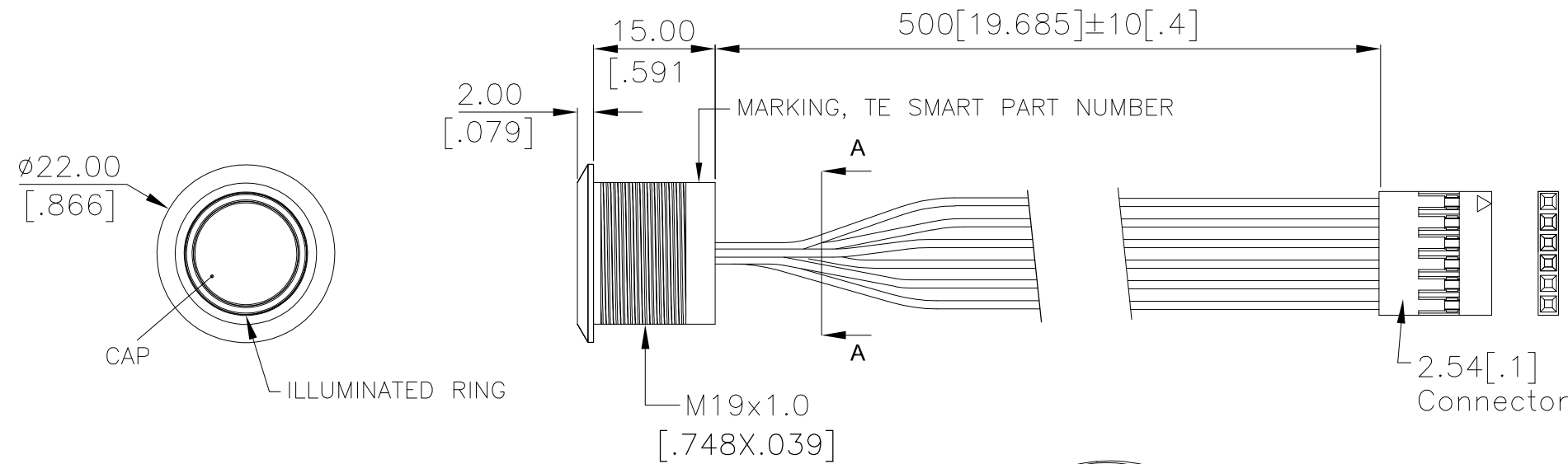
RELEASED FOR PUBLICATION

ALL RIGHTS RESERVED.

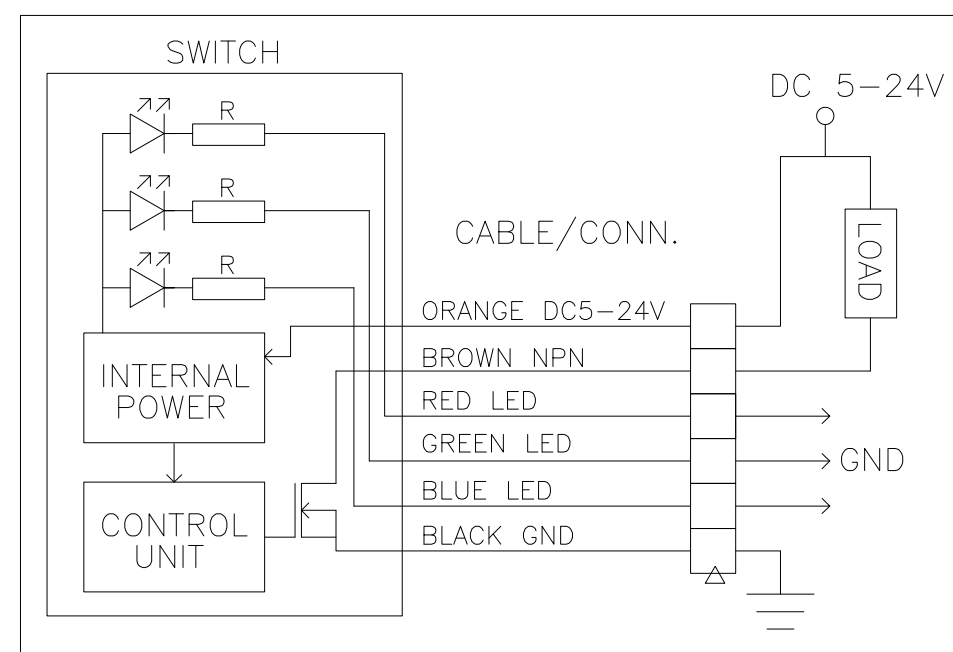
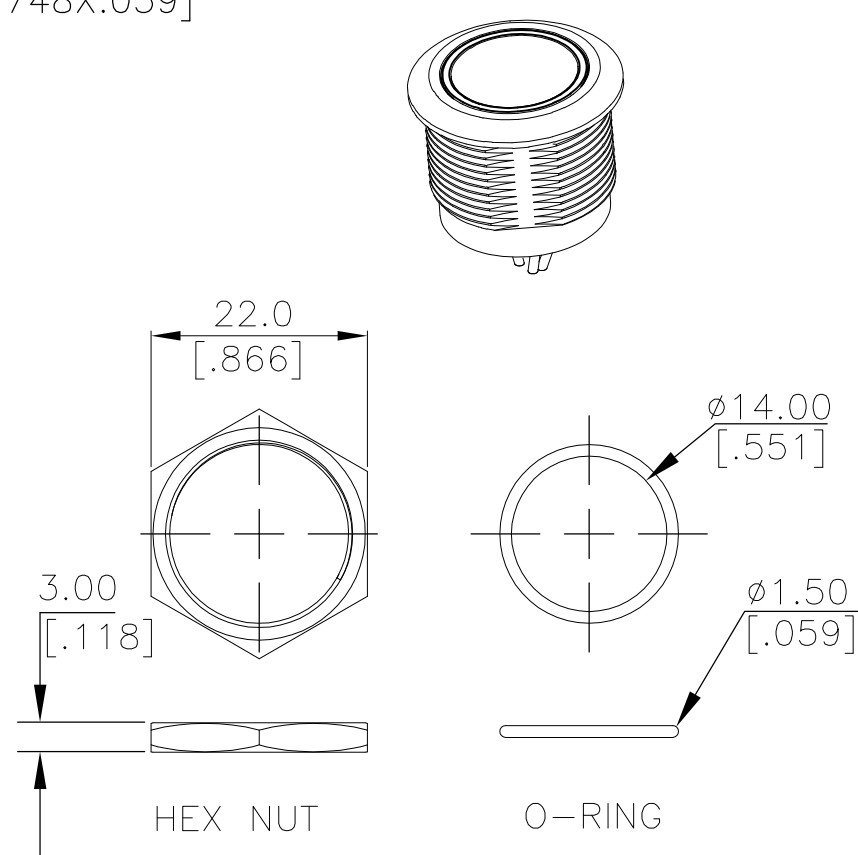
© COPYRIGHT - TE Connectivity Ltd.

REVISIONS

P	LTR	DESCRIPTION	DATE	DWN	APVD
	3	DRAWING UPDATEDD	19DEC2018	RSM	AS



INDICATOR			
SWITCH	LED		
	RED	GREEN	BLUE
OFF	CUSTOMER DEFINED		
ON	CUSTOMER DEFINED		



APPLICABLE FOR TE P/N:
2342834-1
2342834-3
2342834-5
2342834-7
2342834-8
2342834-9

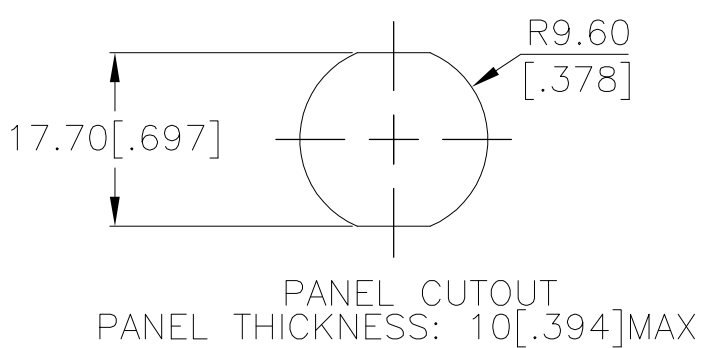
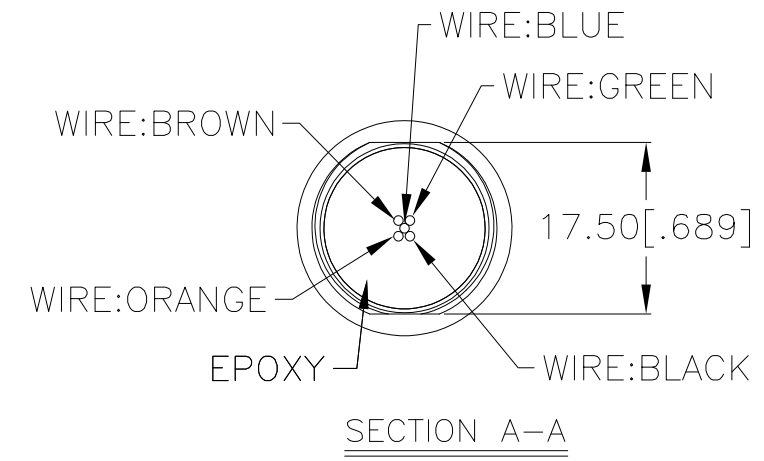
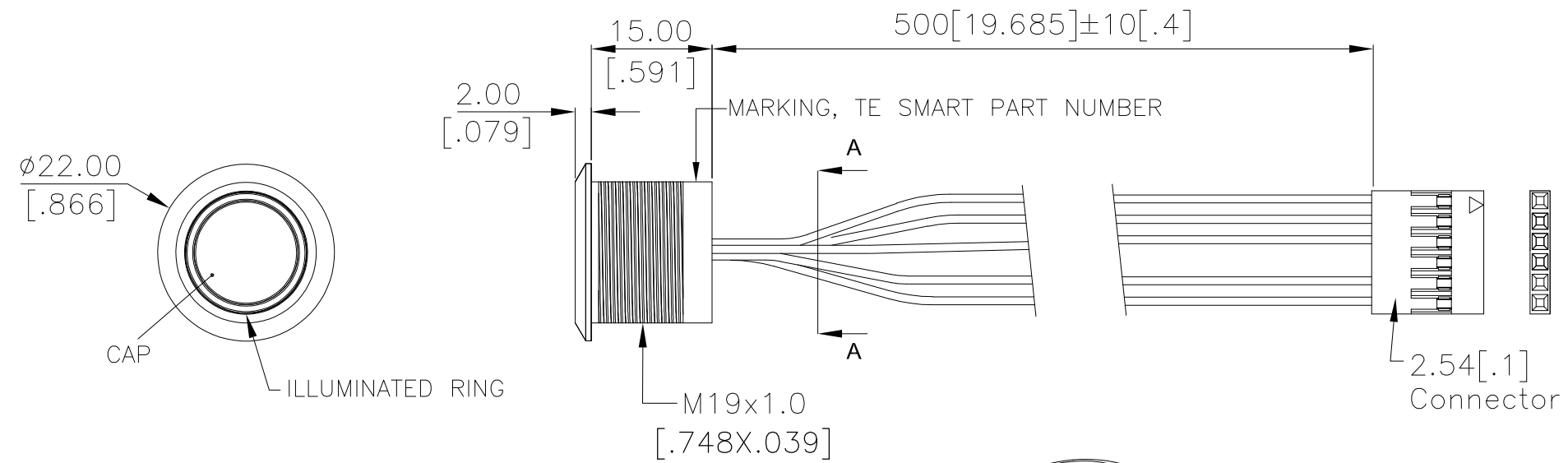
**PRELIMINARY**

THIS DRAWING IS A CONTROLLED DOCUMENT.

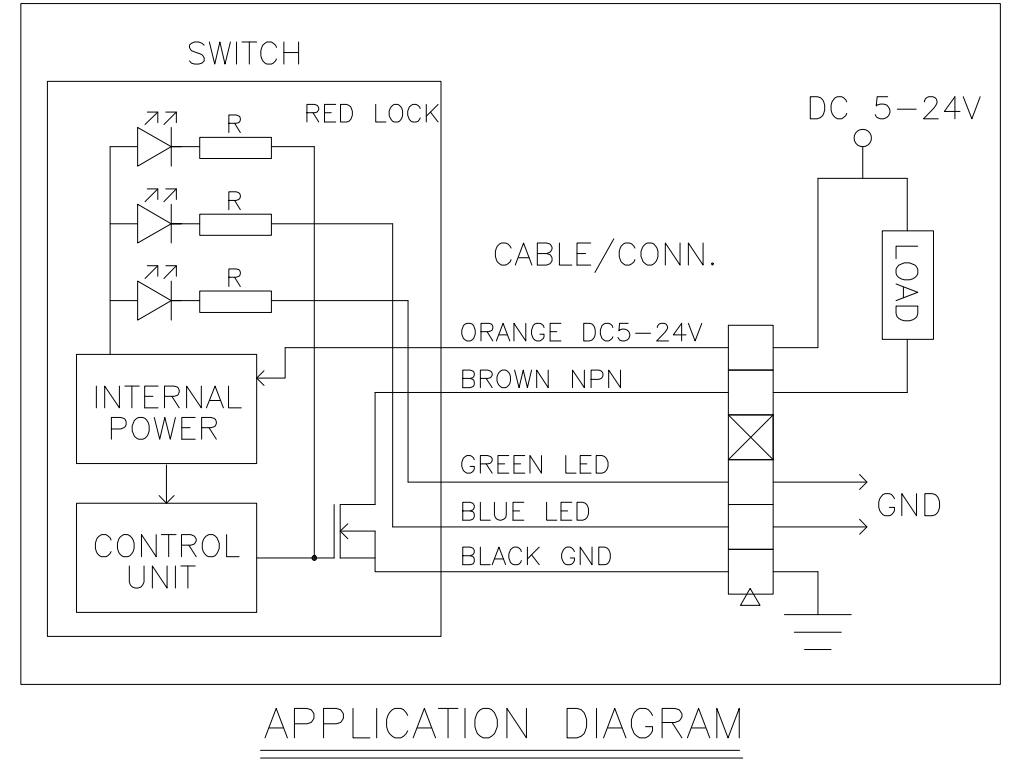
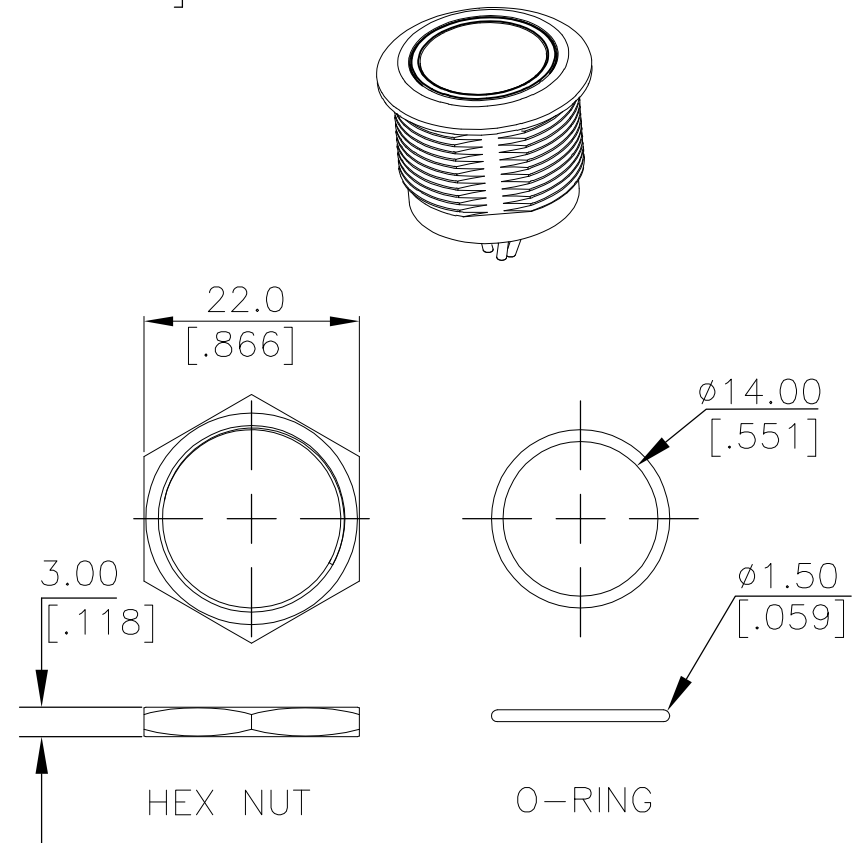
DIMENSIONS: mm [INCHES]	TOLERANCES UNLESS OTHERWISE SPECIFIED: 0 PLC ± - 1 PLC ± 0.4[.016] 2 PLC ± 0.25[.010] 3 PLC ± - 4 PLC ± - ANGLES ± - FINISH -	DWN GANESH C M 29SEP2018 CHK ALEXANDER SHARPE 29SEP2018 APVD ALEXANDER SHARPE 29SEP2018 PRODUCT SPEC - APPLICATION SPEC - WEIGHT -	TE Connectivity Ltd. NAME SWITCH,AV,CAPACITIVE,19mm,FL BTN, ILLUM RING,LED,LEADED W/ 1x6 REC	
MATERIAL -	FINISH -	SIZE A3 CAGE CODE 00779 DRAWING NO C=2342834	RESTRICTED TO -	
CUSTOMER DRAWING		SCALE NTS	SHEET 1 OF 3	REV 3

THIS DRAWING IS UNPUBLISHED. RELEASED FOR PUBLICATION  
 © COPYRIGHT - TE Connectivity Ltd. ALL RIGHTS RESERVED.

REVISIONS					
P	LTR	DESCRIPTION	DATE	DWN	APVD
-	-	SEE SHEET 1	-	-	-



INDICATOR			
SWITCH	LED		
	RED	GREEN	BLUE
OFF	ON	CUSTOMER DEFINED	
ON	OFF	CUSTOMER DEFINED	



APPLICABLE FOR TE P/N:
2342834-2
2342834-4
2342834-6

THIS DRAWING IS A CONTROLLED DOCUMENT.

DIMENSIONS:	TOLERANCES UNLESS OTHERWISE SPECIFIED:
mm [INCHES]	
0 PLC	± -
1 PLC	± 0.4 [.016]
2 PLC	± 0.25 [.010]
3 PLC	± -
4 PLC	± -
ANGLES	± -
MATERIAL	FINISH
-	-

DWN	29SEP2018
GANESH C M	
CHK	29SEP2018
ALEXANDER SHARPE	
APVD	29SEP2018
ALEXANDER SHARPE	
PRODUCT SPEC	
APPLICATION SPEC	
WEIGHT	
CUSTOMER DRAWING	



NAME			
SWITCH,AV,CAPACITIVE,19mm,FL BTN, ILLUM RING,LED,LEADED W/ 1x6 REC			
SIZE	CAGE CODE	DRAWING NO	RESTRICTED TO
A3	00779	C-2342834	-
SCALE	SHEET	REV	
NTS	2 of 3	3	

**PRELIMINARY**

THIS DRAWING IS UNPUBLISHED.

RELEASED FOR PUBLICATION

REVISIONS

© COPYRIGHT - TE Connectivity Ltd.

ALL RIGHTS RESERVED.

P	LTR	DESCRIPTION	DATE	DWN	APVD
-	-	SEE SHEET 1	-	-	-

NOTES:

1. SPECIFICATIONS:

- 1. OPERATING LIFE: 50 MILLION CYCLES MIN.
- 2. ACTUATION FORCE: TOUCH, ZERO FORCE
- 3. RATING: 5-24 VDC@1A MAX.
- 4. CONTACT RESISTANCE: 1Ω MAX.
- 5. CURRENT DRAW WITHOUT ILLUMINATION: 2mA MAXIMUM
- 6. CURRENT DRAW WITH ILLUMINATION: 10mA MAXIMUM
- 7. OUTPUT MODE: NPN TRANSISTOR
- 8. OPERATING TEMPERATURE: -20° TO 65°C [-4° TO 149°F]
- 9. STORAGE TEMPERATURE: -40° TO 85°C [-40° TO 185°F]
- 10. INGRESS PROTECTION: IP68, PANEL SIDE
- 11. MOUNTING TORQUE: 2.5Nm MAXIMUM

2. MATERIAL:

- 1. SEALING: SILICONE, EPOXY
- 2. O-RING: SILICONE
- 3. HEX NUT: NICKEL PLATED BRASS
- 4. WIRE: UL3385, UL10368 OR EQUIVALENT
- 5. BUSHING: SEE TABLE
- 6. CAP: SEE TABLE

3. PACKAGING:

SWITCH ASSEMBLIES ARE INDIVIDUALLY BUNDLED WITH ESD PROTECTION. HARDWARE IS NOT ASSEMBLED TO THE SWITCH.

4. COMPLIANCE:

THE CURRENT STATEMENT OF COMPLIANCE IS AVAILABLE AT TE.COM.

5. HARDWARE IS SHIPPED UNASSEMBLED.

PC; STAINLESS STEEL	STAINLESS STEEL 316	RGB	MOMENTARY	AVC19MS16FE0DT5A04	2342834-9
PC; STAINLESS STEEL	STAINLESS STEEL 304	RGB	MOMENTARY	AVC19MS04FE0DT5A04	2342834-8
PC; ALUMINUM	ALUMINUM	RGB	MOMENTARY	AVC19MAIOFE0DT5A04	2342834-7
PC; STAINLESS STEEL	STAINLESS STEEL 316	RED LOCK	LOCKING	AVC19LS16FE03T5A04	2342834-6
PC; STAINLESS STEEL	STAINLESS STEEL 316	RGB	LOCKING	AVC19LS16FE0DT5A04	2342834-5
PC; STAINLESS STEEL	STAINLESS STEEL 304	RED LOCK	LOCKING	AVC19LS04FE03T5A04	2342834-4
PC; STAINLESS STEEL	STAINLESS STEEL 304	RGB	LOCKING	AVC19LS04FE0DT5A04	2342834-3
PC; ALUMINUM	ALUMINUM	RED LOCK	LOCKING	AVC19LAIOFE03T5A04	2342834-2
PC; ALUMINUM	ALUMINUM	RGB	LOCKING	AVC19LAIOFE0DT5A04	2342834-1
CAP MATERIAL	BUSHING MATERIAL	LED COLOR	CONTACT CONFIGURATION	TE SMART PART NUMBER	PART NUMBER

THIS DRAWING IS A CONTROLLED DOCUMENT.

DWN 29SEP2018 GANESH C M

CHK 29SEP2018 ALEXANDER SHARPE

APVD 29SEP2018 ALEXANDER SHARPE

PRODUCT SPEC

APPLICATION SPEC

WEIGHT

CUSTOMER DRAWING



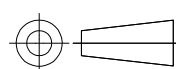
NAME SWITCH,AV,CAPACITIVE,19mm,FL BTN, ILLUM RING,LED,LEADED W/ 1x6 REC

SIZE A3 CAGE CODE 00779 DRAWING NO C-2342834 RESTRICTED TO -

SCALE NTS SHEET 3 OF 3 REV 3

DIMENSIONS: mm [INCHES]

TOLERANCES UNLESS OTHERWISE SPECIFIED:



- 0 PLC ± -
- 1 PLC ± 0.4[.016]
- 2 PLC ± 0.25[.010]
- 3 PLC ± -
- 4 PLC ± -
- ANGLES ± -
- FINISH -

PRELIMINARY

## X-ON Electronics

Largest Supplier of Electrical and Electronic Components

*Click to view similar products for [Pushbutton Switches](#) category:*

*Click to view products by [TE Connectivity](#) manufacturer:*

Other Similar products are found below :

[8940K2012](#) [LW1L-M1C10V-A](#) [LW1L-M1C70-A](#) [LW2L-A1C20M-GD](#) [LW2L-M1C20M-A](#) [60324L](#) [M22-D-R-GB0/K11](#) [M7E-HRN2](#)  
[67021K512](#) [67081K512X](#) [701PB580](#) [7199K101](#) [810K12910](#) [810KSV30B](#) [MML21EA2ADK](#) [MML21KA3ABK](#) [MML23KA3AC05K-001](#)  
[MML23KW3AA01W](#) [8418K2](#) [8442K3](#) [8450K1](#) [860K11911T01A](#) [861901](#) [861K11911T01A07](#) [861K13810T00A14](#) [861K13911](#)  
[8646AB6X718UL](#) [8646ABUL](#) [9001KXRK](#) [907AYY100](#) [PMHD155A1](#) [9533CD4+U574+U4922](#) [95-414.000](#) [99-450.837](#) [99-453.837](#)  
[PV3H2B0NN-341](#) [1203MRA](#) [A22NZBGANGA](#) [A22NZBNANGA](#) [A22NZMPATRA](#) [A2PMA1X03EC56](#) [A3A-5123-02](#) [A3A-7140](#) [A3A-7310](#) [A3A-7340](#) [A3U-TMW-A2C-5M](#) [A595](#) [12037A2ULCSA](#) [ABD122N-B](#) [1211390004](#)