

THIS DRAWING IS UNPUBLISHED.

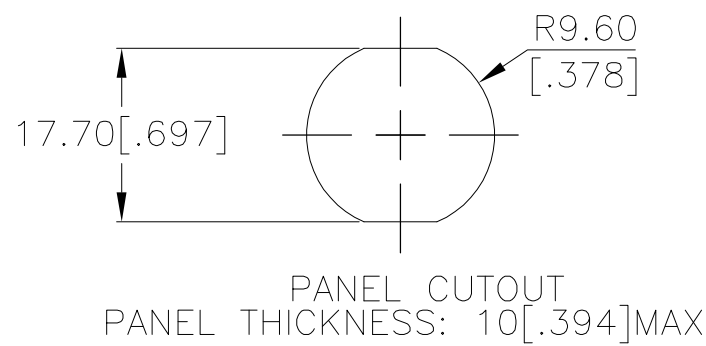
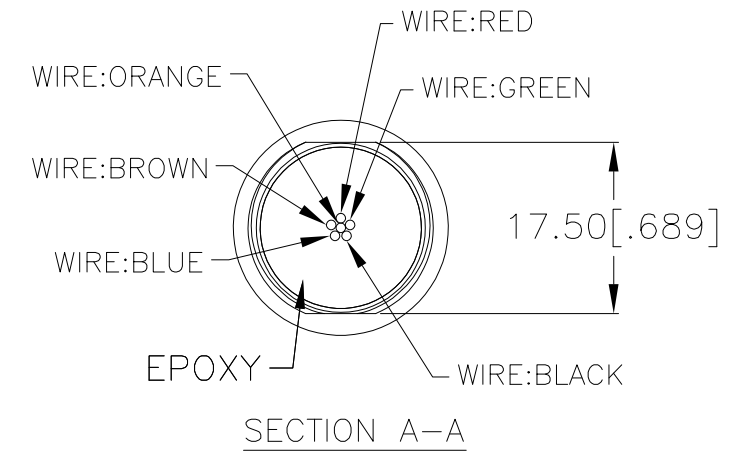
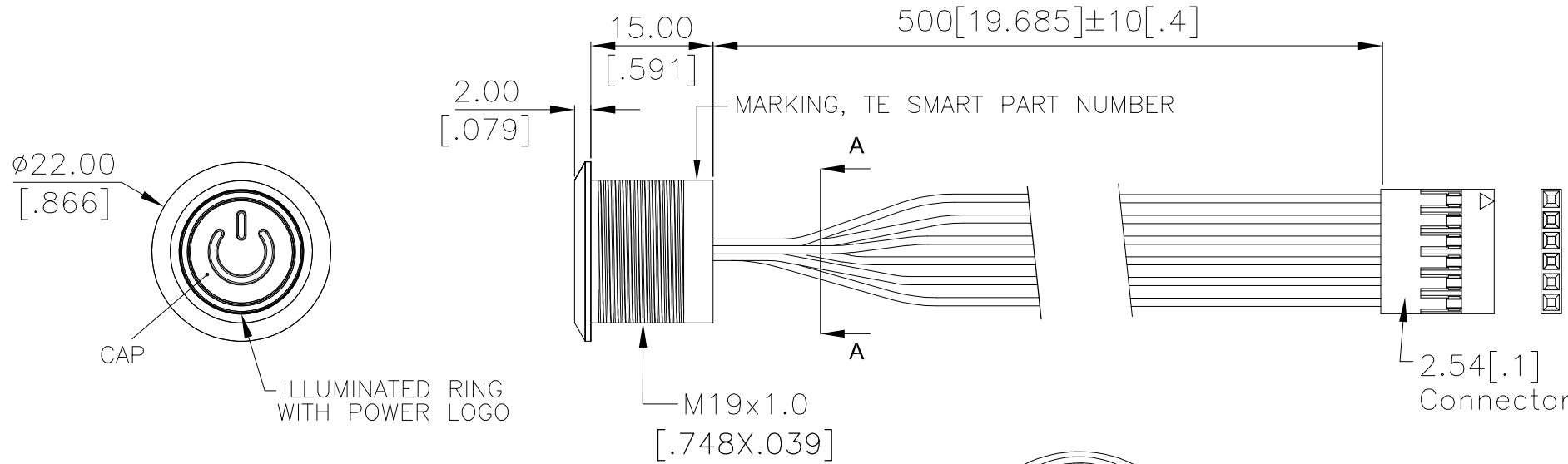
RELEASED FOR PUBLICATION

REVISIONS

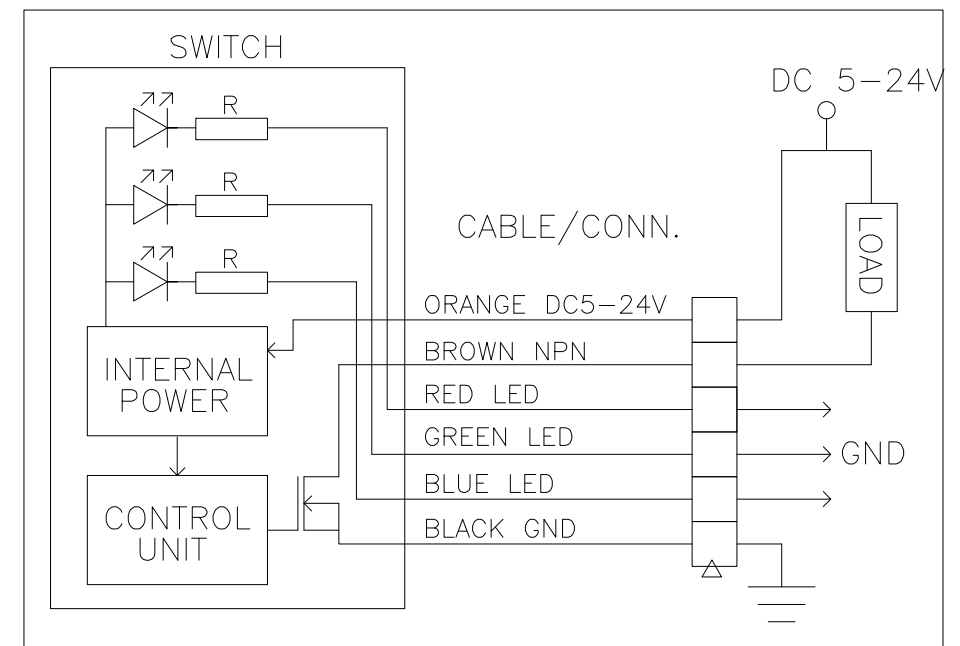
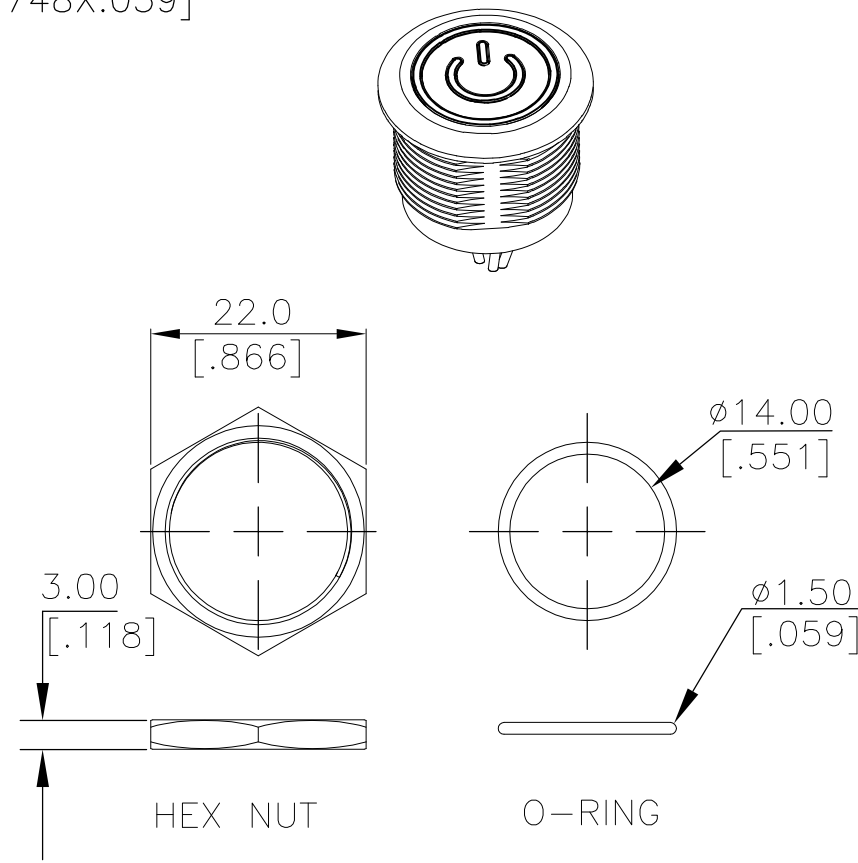
© COPYRIGHT - TE Connectivity Ltd.

ALL RIGHTS RESERVED.

| P | LTR | DESCRIPTION     | DATE      | DWN | APVD |
|---|-----|-----------------|-----------|-----|------|
| 3 |     | DRAWING UPDATED | 19DEC2018 | RSM | AS   |



| INDICATOR |                  |       |      |
|-----------|------------------|-------|------|
| SWITCH    | LED              |       |      |
|           | RED              | GREEN | BLUE |
| OFF       | CUSTOMER DEFINED |       |      |
| ON        | CUSTOMER DEFINED |       |      |



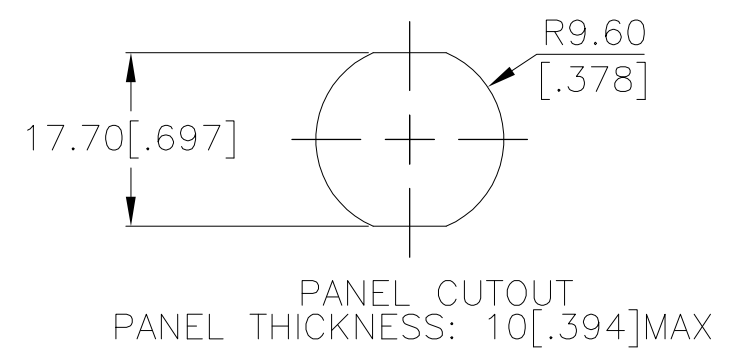
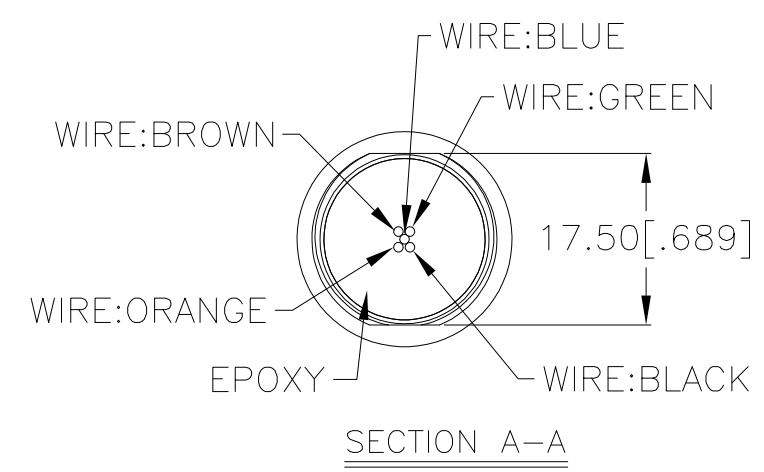
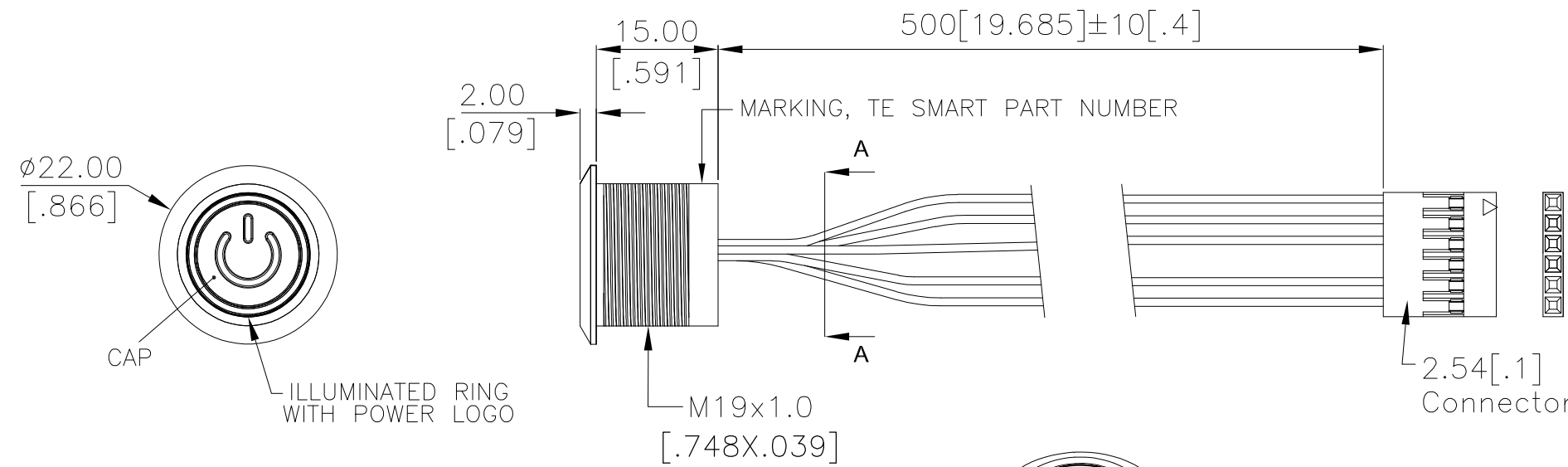
| APPLICABLE FOR TE P/N: |
|------------------------|
| 2342835-1              |
| 2342835-3              |
| 2342835-5              |
| 2342835-7              |
| 2342835-8              |
| 2342835-9              |

**PRELIMINARY**

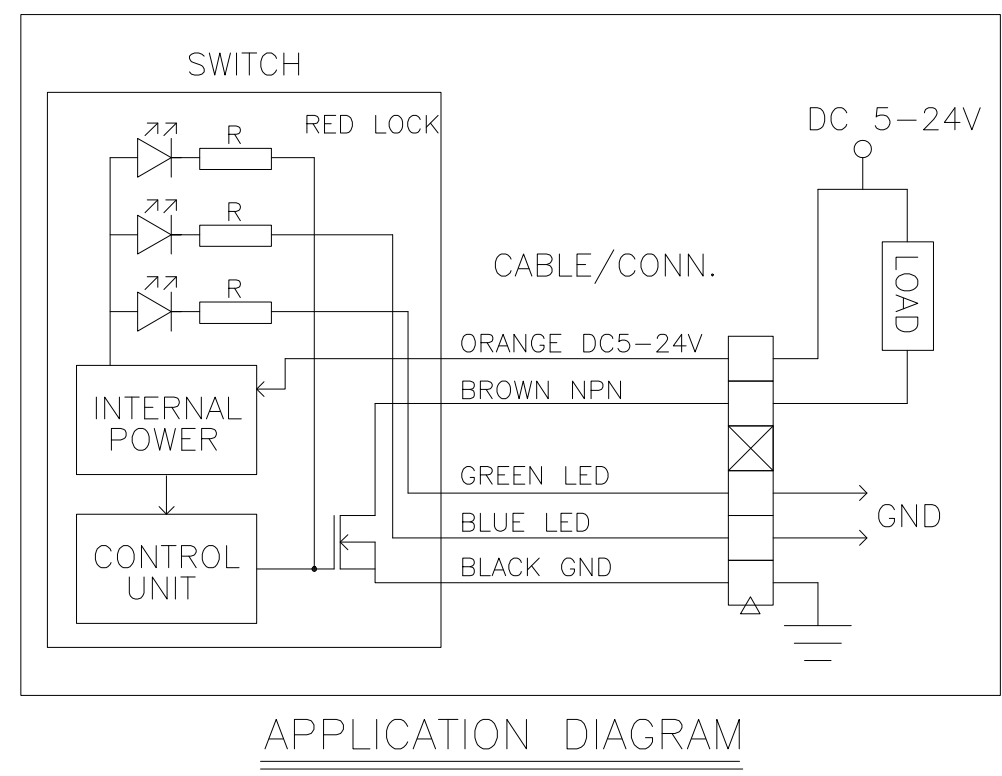
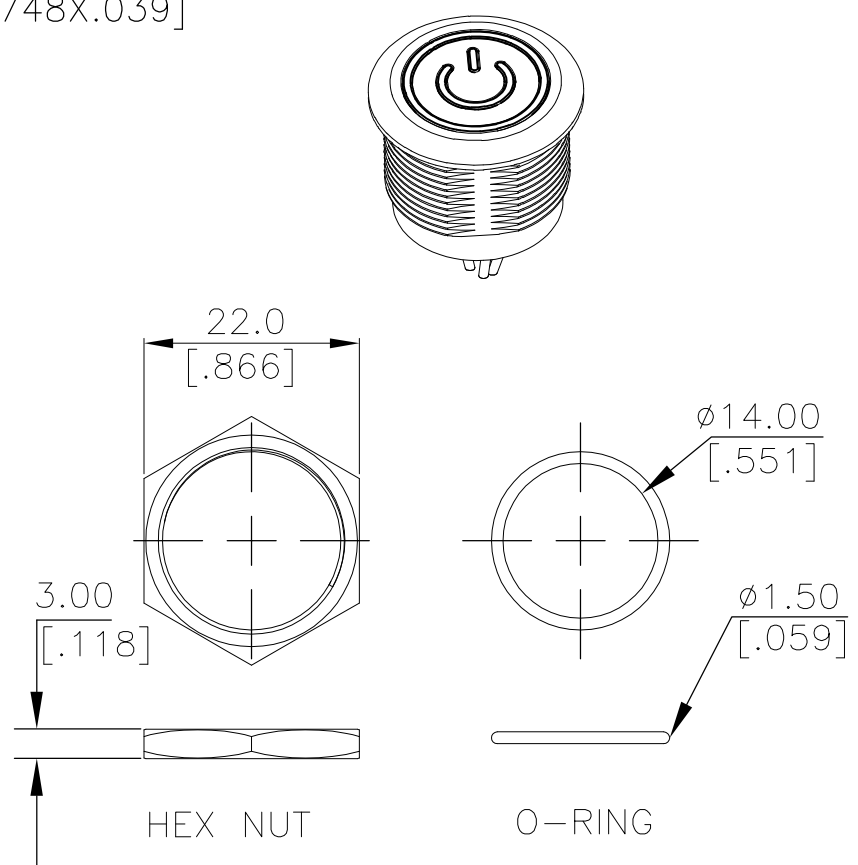
|                                                                                                                                                                                                                                                                       |              |                                       |                                                                                               |              |                 |          |              |       |     |       |     |        |     |                   |            |                    |                       |                    |
|-----------------------------------------------------------------------------------------------------------------------------------------------------------------------------------------------------------------------------------------------------------------------|--------------|---------------------------------------|-----------------------------------------------------------------------------------------------|--------------|-----------------|----------|--------------|-------|-----|-------|-----|--------|-----|-------------------|------------|--------------------|-----------------------|--------------------|
| THIS DRAWING IS A CONTROLLED DOCUMENT.                                                                                                                                                                                                                                |              | DWN<br>GANESH C M<br>29SEP2018        | <br>TE Connectivity Ltd.                                                                      |              |                 |          |              |       |     |       |     |        |     |                   |            |                    |                       |                    |
| DIMENSIONS:<br>mm [INCHES]                                                                                                                                                                                                                                            |              | CHK<br>ALEXANDER SHARPE<br>29SEP2018  |                                                                                               |              |                 |          |              |       |     |       |     |        |     |                   |            |                    |                       |                    |
| TOLERANCES UNLESS OTHERWISE SPECIFIED:                                                                                                                                                                                                                                |              | APVD<br>ALEXANDER SHARPE<br>29SEP2018 | NAME<br>SWITCH,AV,CAPACITIVE,19mm,FL BTN,<br>ILLUM RING W/POWER LOGO,LED,<br>LEADED W/1x6 REC |              |                 |          |              |       |     |       |     |        |     |                   |            |                    |                       |                    |
| <table border="1"> <tr><td>0 PLC</td><td>± -</td></tr> <tr><td>1 PLC</td><td>± 0.4[.016]</td></tr> <tr><td>2 PLC</td><td>± 0.25[.010]</td></tr> <tr><td>3 PLC</td><td>± -</td></tr> <tr><td>4 PLC</td><td>± -</td></tr> <tr><td>ANGLES</td><td>± -</td></tr> </table> |              | 0 PLC                                 | ± -                                                                                           | 1 PLC        | ± 0.4[.016]     | 2 PLC    | ± 0.25[.010] | 3 PLC | ± - | 4 PLC | ± - | ANGLES | ± - | PRODUCT SPEC<br>- | SIZE<br>A3 | CAGE CODE<br>00779 | DRAWING NO<br>2342835 | RESTRICTED TO<br>- |
| 0 PLC                                                                                                                                                                                                                                                                 | ± -          |                                       |                                                                                               |              |                 |          |              |       |     |       |     |        |     |                   |            |                    |                       |                    |
| 1 PLC                                                                                                                                                                                                                                                                 | ± 0.4[.016]  |                                       |                                                                                               |              |                 |          |              |       |     |       |     |        |     |                   |            |                    |                       |                    |
| 2 PLC                                                                                                                                                                                                                                                                 | ± 0.25[.010] |                                       |                                                                                               |              |                 |          |              |       |     |       |     |        |     |                   |            |                    |                       |                    |
| 3 PLC                                                                                                                                                                                                                                                                 | ± -          |                                       |                                                                                               |              |                 |          |              |       |     |       |     |        |     |                   |            |                    |                       |                    |
| 4 PLC                                                                                                                                                                                                                                                                 | ± -          |                                       |                                                                                               |              |                 |          |              |       |     |       |     |        |     |                   |            |                    |                       |                    |
| ANGLES                                                                                                                                                                                                                                                                | ± -          |                                       |                                                                                               |              |                 |          |              |       |     |       |     |        |     |                   |            |                    |                       |                    |
| MATERIAL<br>-                                                                                                                                                                                                                                                         |              | FINISH<br>-                           | WEIGHT<br>0                                                                                   | SCALE<br>NTS | SHEET<br>1 of 3 | REV<br>3 |              |       |     |       |     |        |     |                   |            |                    |                       |                    |
| CUSTOMER DRAWING                                                                                                                                                                                                                                                      |              |                                       |                                                                                               |              |                 |          |              |       |     |       |     |        |     |                   |            |                    |                       |                    |

THIS DRAWING IS UNPUBLISHED. RELEASED FOR PUBLICATION  
 © COPYRIGHT - TE Connectivity Ltd. ALL RIGHTS RESERVED.

| P | LTR | DESCRIPTION | DATE | DWN | APVD |
|---|-----|-------------|------|-----|------|
| - | -   | SEE SHEET 1 | -    | -   | -    |



| INDICATOR |     |                  |      |
|-----------|-----|------------------|------|
| SWITCH    | LED |                  |      |
|           | RED | GREEN            | BLUE |
| OFF       | ON  | CUSTOMER DEFINED |      |
| ON        | OFF | CUSTOMER DEFINED |      |



|                        |
|------------------------|
| APPLICABLE FOR TE P/N: |
| 2342835-2              |
| 2342835-4              |
| 2342835-6              |

|                                        |                                        |
|----------------------------------------|----------------------------------------|
| THIS DRAWING IS A CONTROLLED DOCUMENT. |                                        |
| DIMENSIONS:<br>mm [INCHES]             | TOLERANCES UNLESS OTHERWISE SPECIFIED: |
|                                        | 0 PLC ± -                              |
|                                        | 1 PLC ± 0.4[.016]                      |
|                                        | 2 PLC ± 0.25[.010]                     |
|                                        | 3 PLC ± -                              |
|                                        | 4 PLC ± -                              |
|                                        | ANGLES ± -                             |
| MATERIAL                               | FINISH                                 |
| -                                      | -                                      |

|                  |                  |
|------------------|------------------|
| DWN              | 29SEP2018        |
| CHK              | 29SEP2018        |
| APVD             | 29SEP2018        |
| PRODUCT SPEC     | ALEXANDER SHARPE |
| APPLICATION SPEC | -                |
| WEIGHT           | -                |
| CUSTOMER DRAWING |                  |

|                                                                                               |           |            |               |
|-----------------------------------------------------------------------------------------------|-----------|------------|---------------|
| TE Connectivity Ltd.                                                                          |           |            |               |
| NAME<br>SWITCH,AV,CAPACITIVE,19mm,FL BTN,<br>ILLUM RING W/POWER LOGO,LED,<br>LEADED W/1x6 REC |           |            |               |
| SIZE                                                                                          | CAGE CODE | DRAWING NO | RESTRICTED TO |
| A3                                                                                            | 00779     | C-2342835  | -             |
| SCALE                                                                                         | SHEET     | REV        |               |
| NTS                                                                                           | 2 of 3    | 3          |               |


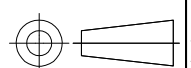
**PRELIMINARY**

THIS DRAWING IS UNPUBLISHED. RELEASED FOR PUBLICATION  
 © COPYRIGHT - TE Connectivity Ltd. ALL RIGHTS RESERVED.

| REVISIONS |     |             |      |     |      |
|-----------|-----|-------------|------|-----|------|
| P         | LTR | DESCRIPTION | DATE | DWN | APVD |
| -         | -   | SEE SHEET 1 | -    | -   | -    |

- NOTES:
- SPECIFICATIONS:
    - OPERATING LIFE: 50 MILLION CYCLES MIN.
    - ACTUATION FORCE: TOUCH, ZERO FORCE
    - RATING: 5-24 VDC@1A MAX.
    - CONTACT RESISTANCE: 1Ω MAX.
    - CURRENT DRAW WITHOUT ILLUMINATION: 2mA MAXIMUM
    - CURRENT DRAW WITH ILLUMINATION: 10mA MAXIMUM
    - OUTPUT MODE: NPN TRANSISTOR
    - OPERATING TEMPERATURE: -20° TO 65°C [-4° TO 149°F]
    - STORAGE TEMPERATURE: -40° TO 85°C [-40° TO 185°F]
    - INGRESS PROTECTION: IP68, PANEL SIDE
    - MOUNTING TORQUE: 2.5Nm MAXIMUM
  - MATERIAL:
    - SEALING: SILICONE, EPOXY
    - O-RING: SILICONE
    - HEX NUT: NICKEL PLATED BRASS
    - WIRE: UL3385, UL10368 OR EQUIVALENT
    - BUSHING: SEE TABLE
    - CAP: SEE TABLE
  - PACKAGING: SWITCH ASSEMBLIES ARE INDIVIDUALLY BUNDLED WITH ESD PROTECTION. HARDWARE IS NOT ASSEMBLED TO THE SWITCH.
  - COMPLIANCE: THE CURRENT STATEMENT OF COMPLIANCE IS AVAILABLE AT TE.COM.
  - HARDWARE IS SHIPPED UNASSEMBLED.

|                     |                     |           |                       |                      |             |
|---------------------|---------------------|-----------|-----------------------|----------------------|-------------|
| PC; STAINLESS STEEL | STAINLESS STEEL 316 | RGB       | MOMENTARY             | AVC19MS16FE1DT5A04   | 2342835-9   |
| PC; STAINLESS STEEL | STAINLESS STEEL 304 | RGB       | MOMENTARY             | AVC19MS04FE1DT5A04   | 2342835-8   |
| PC; ALUMINUM        | ALUMINUM            | RGB       | MOMENTARY             | AVC19MAIOFE1DT5A04   | 2342835-7   |
| PC; STAINLESS STEEL | STAINLESS STEEL 316 | RED LOCK  | LOCKING               | AVC19LS16FE13T5A04   | 2342835-6   |
| PC; STAINLESS STEEL | STAINLESS STEEL 316 | RGB       | LOCKING               | AVC19LS16FE1DT5A04   | 2342835-5   |
| PC; STAINLESS STEEL | STAINLESS STEEL 304 | RED LOCK  | LOCKING               | AVC19LS04FE13T5A04   | 2342835-4   |
| PC; STAINLESS STEEL | STAINLESS STEEL 304 | RGB       | LOCKING               | AVC19LS04FE1DT5A04   | 2342835-3   |
| PC; ALUMINUM        | ALUMINUM            | RED LOCK  | LOCKING               | AVC19LAIOFE13T5A04   | 2342835-2   |
| PC; ALUMINUM        | ALUMINUM            | RGB       | LOCKING               | AVC19LAIOFE1DT5A04   | 2342835-1   |
| CAP MATERIAL        | BUSHING MATERIAL    | LED COLOR | CONTACT CONFIGURATION | TE SMART PART NUMBER | PART NUMBER |

|                                                                                       |  |                                    |                                                                                                            |           |            |
|---------------------------------------------------------------------------------------|--|------------------------------------|------------------------------------------------------------------------------------------------------------|-----------|------------|
| THIS DRAWING IS A CONTROLLED DOCUMENT.                                                |  | DWN 29SEP2018<br>GANESH C M        |  TE Connectivity Ltd. |           |            |
| DIMENSIONS: mm [INCHES]                                                               |  | CHK 29SEP2018<br>ALEXANDER SHARPE  |                                                                                                            |           |            |
|  |  | APVD 29SEP2018<br>ALEXANDER SHARPE | SWITCH,AV,CAPACITIVE,19mm,FL BTN,<br>ILLUM RING W/POWER LOGO,LED,<br>LEADED W/1x6 REC                      |           |            |
| TOLERANCES UNLESS OTHERWISE SPECIFIED:                                                |  | PRODUCT SPEC                       | RESTRICTED TO                                                                                              |           |            |
| 0 PLC ± -                                                                             |  | APPLICATION SPEC                   | SIZE                                                                                                       | CAGE CODE | DRAWING NO |
| 1 PLC ± 0.4[.016]                                                                     |  | WEIGHT                             | A3                                                                                                         | 00779     | C-2342835  |
| 2 PLC ± 0.25[.010]                                                                    |  | CUSTOMER DRAWING                   |                                                                                                            |           |            |
| 3 PLC ± -                                                                             |  | SCALE NTS                          |                                                                                                            |           |            |
| 4 PLC ± -                                                                             |  | SHEET 3 OF 3                       |                                                                                                            |           |            |
| ANGLES ± -                                                                            |  | REV 3                              |                                                                                                            |           |            |
| FINISH                                                                                |  |                                    |                                                                                                            |           |            |

**PRELIMINARY**

## X-ON Electronics

Largest Supplier of Electrical and Electronic Components

*Click to view similar products for [Pushbutton Switches](#) category:*

*Click to view products by [TE Connectivity](#) manufacturer:*

Other Similar products are found below :

[8940K2012](#) [LW1L-M1C10V-A](#) [LW1L-M1C70-A](#) [LW2L-A1C20M-GD](#) [LW2L-M1C20M-A](#) [60324L](#) [M22-D-R-GB0/K11](#) [M7E-HRN2](#)  
[67021K512](#) [67081K512X](#) [701PB580](#) [7199K101](#) [810K12910](#) [810KSV30B](#) [MML21EA2ADK](#) [MML21KA3ABK](#) [MML23KA3AC05K-001](#)  
[MML23KW3AA01W](#) [8418K2](#) [8442K2](#) [8442K3](#) [8450K1](#) [860K11911T01A](#) [861901](#) [861K11911T01A07](#) [861K13810T00A14](#) [861K13911](#)  
[8646AB6X718UL](#) [8646ABUL](#) [9001KXRK](#) [907AYY100](#) [PMHD155A1](#) [9533CD4+U574+U4922](#) [95-414.000](#) [99-450.837](#) [99-453.837](#)  
[PV3H2B0NN-341](#) [1203MRA](#) [A22NZBGANGA](#) [A22NZBNANGA](#) [A22NZMPATRA](#) [A2PMA1X03EC56](#) [A3A-5123-02](#) [A3A-7140](#) [A3A-7310](#) [A3A-7340](#) [A3U-TMW-A2C-5M](#) [A595](#) [12037A2ULCSA](#) [ABD122N-B](#)