

THIS DRAWING IS UNPUBLISHED.

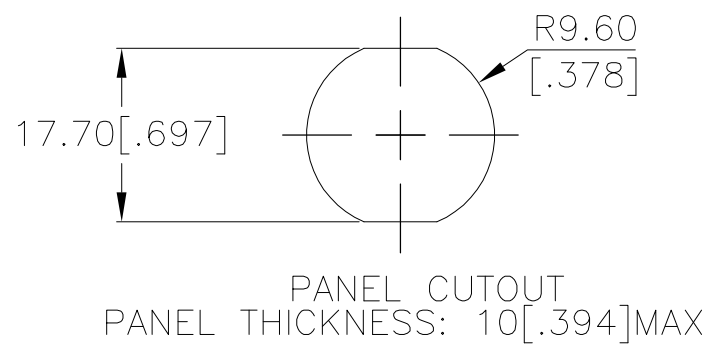
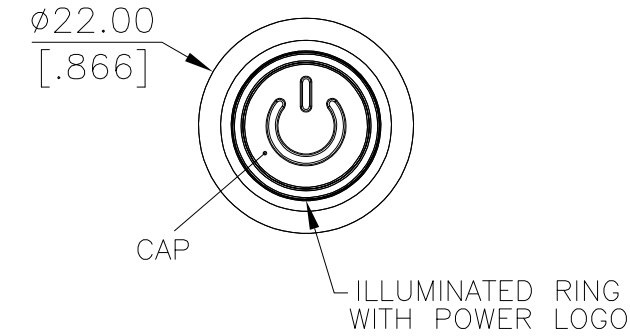
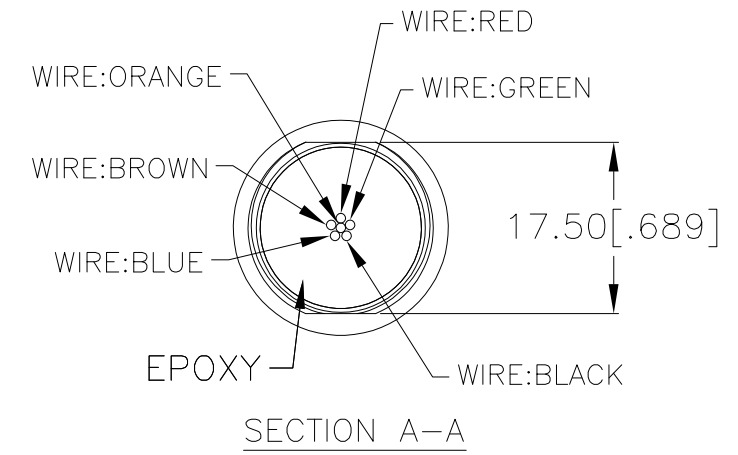
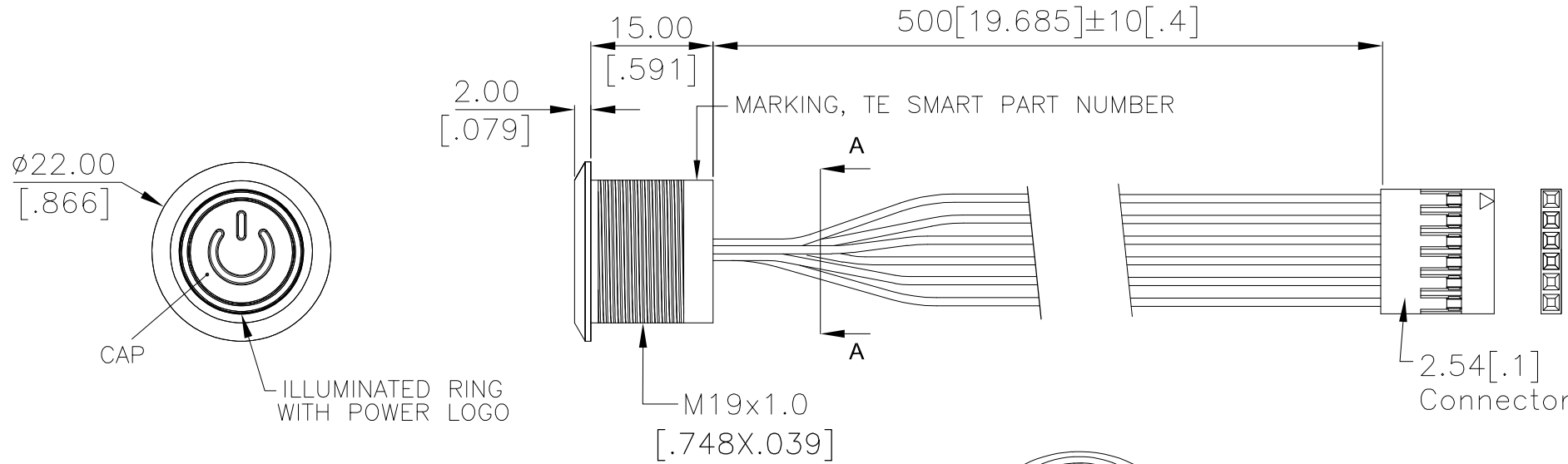
RELEASED FOR PUBLICATION

REVISIONS

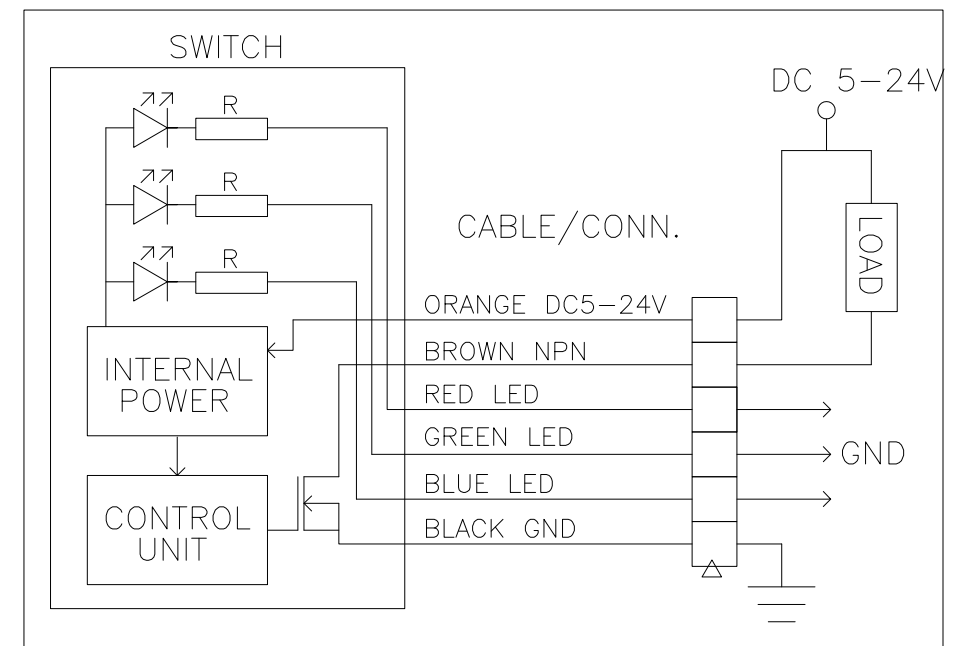
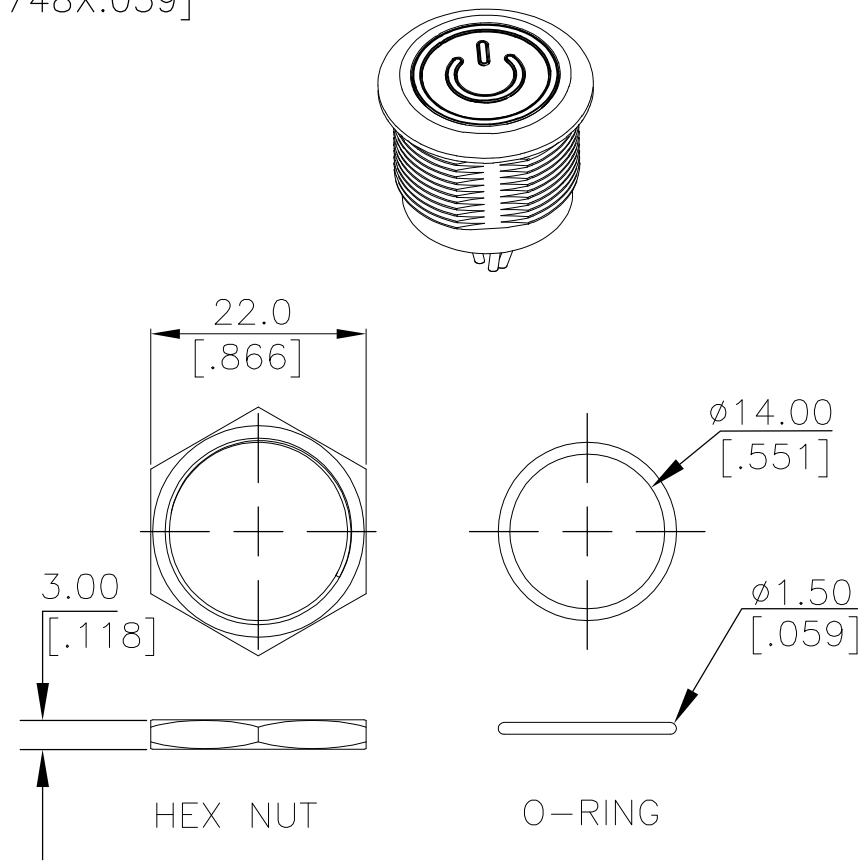
© COPYRIGHT - TE Connectivity Ltd.

ALL RIGHTS RESERVED.

P	LTR	DESCRIPTION	DATE	DWN	APVD
3		DRAWING UPDATED	19DEC2018	RSM	AS



INDICATOR			
SWITCH	LED		
	RED	GREEN	BLUE
OFF	CUSTOMER DEFINED		
ON	CUSTOMER DEFINED		



APPLICABLE FOR TE P/N:
2342835-1
2342835-3
2342835-5
2342835-7
2342835-8
2342835-9

**PRELIMINARY**

THIS DRAWING IS A CONTROLLED DOCUMENT.		DWN GANESH C M 29SEP2018	TE Connectivity Ltd.	
DIMENSIONS: mm [INCHES]		CHK ALEXANDER SHARPE 29SEP2018		
TOLERANCES UNLESS OTHERWISE SPECIFIED:		APVD ALEXANDER SHARPE 29SEP2018	NAME	
0 PLC ± - 1 PLC ± 0.4 [.016] 2 PLC ± 0.25 [.010] 3 PLC ± - 4 PLC ± - ANGLES ± - ± -		PRODUCT SPEC	SWITCH,AV,CAPACITIVE,19mm,FL BTN, ILLUM RING W/POWER LOGO,LED, LEADED W/1x6 REC	
MATERIAL		APPLICATION SPEC	SIZE	RESTRICTED TO
FINISH		WEIGHT	CAGE CODE	
		CUSTOMER DRAWING	DRAWING NO	
			SCALE	SHEET
			NTS	1 OF 3
				REV
				3

THIS DRAWING IS UNPUBLISHED.

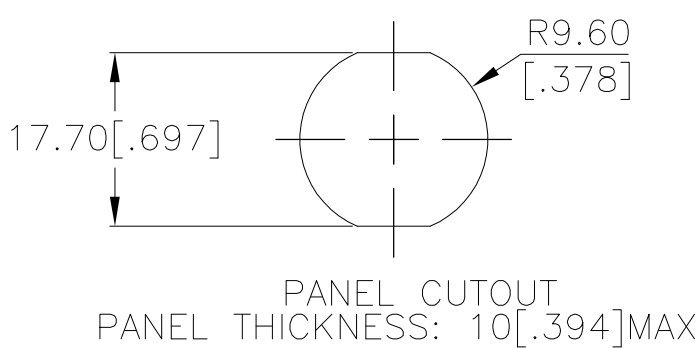
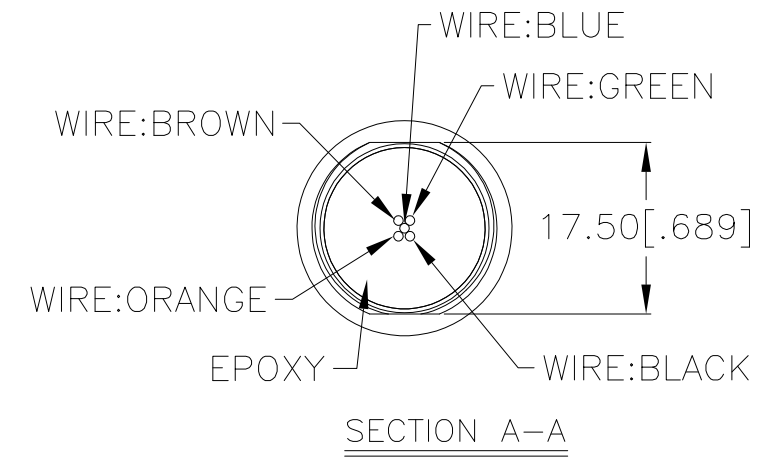
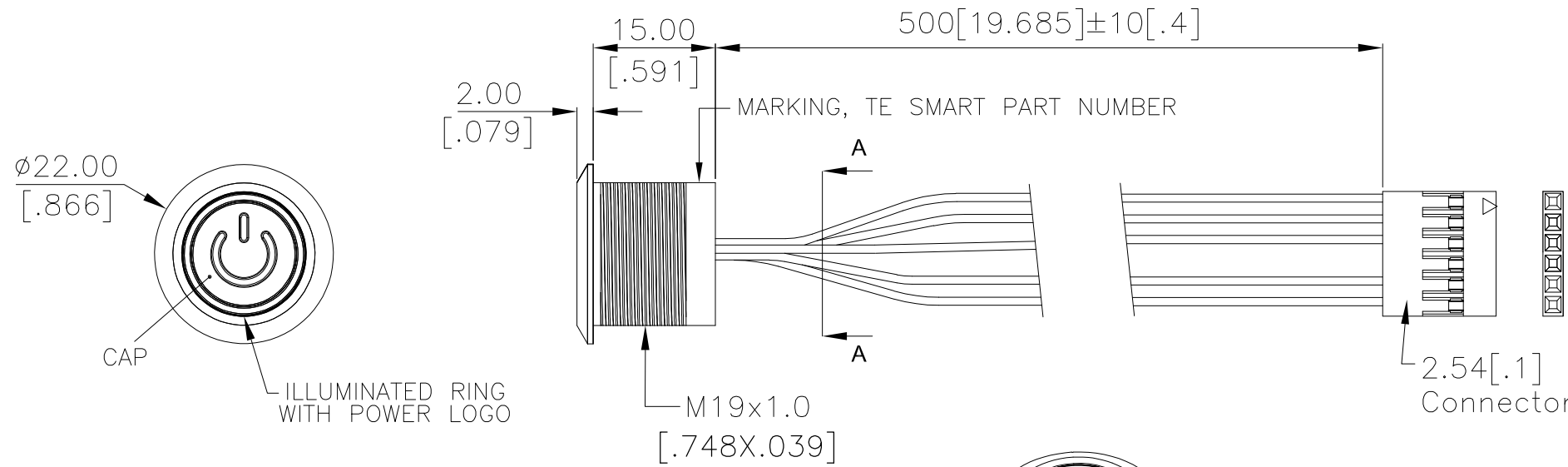
RELEASED FOR PUBLICATION

© COPYRIGHT - TE Connectivity Ltd.

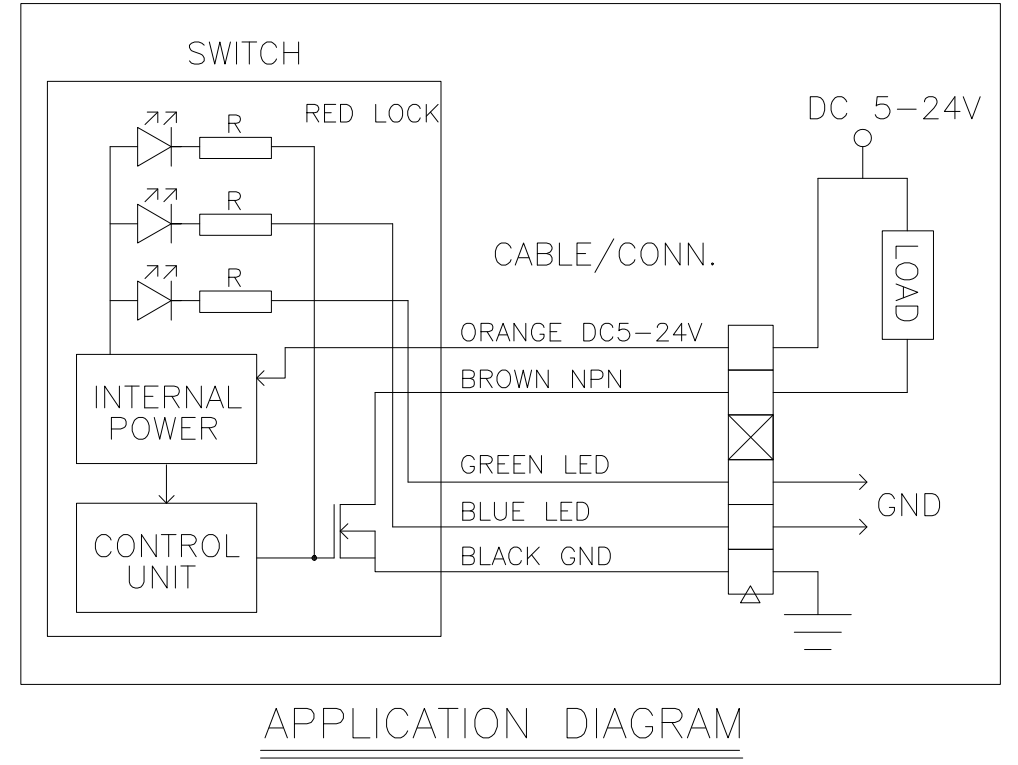
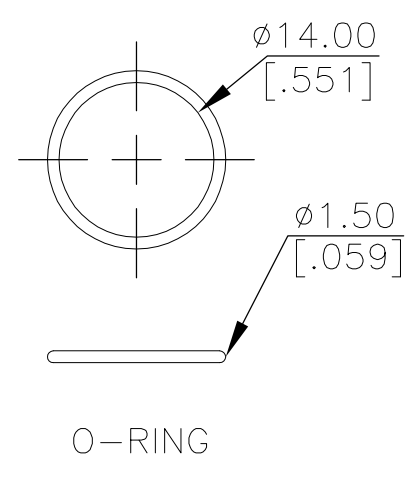
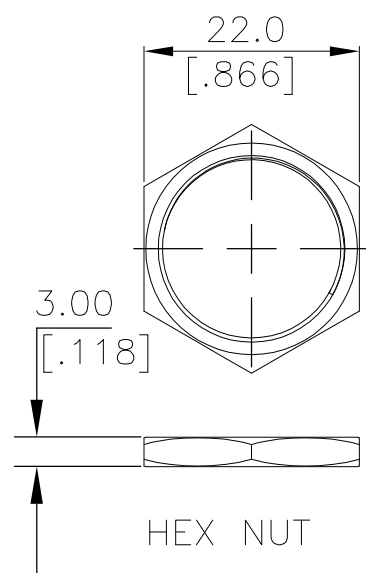
ALL RIGHTS RESERVED.

REVISIONS

P	LTR	DESCRIPTION	DATE	DWN	APVD
-	-	SEE SHEET 1	-	-	-



INDICATOR			
SWITCH	LED		
	RED	GREEN	BLUE
OFF	ON	CUSTOMER DEFINED	
ON	OFF	CUSTOMER DEFINED	



APPLICABLE FOR TE P/N:

2342835-2
2342835-4
2342835-6

THIS DRAWING IS A CONTROLLED DOCUMENT.

DIMENSIONS:	TOLERANCES UNLESS OTHERWISE SPECIFIED:
mm [INCHES]	
0 PLC	± -
1 PLC	± 0.4[.016]
2 PLC	± 0.25[.010]
3 PLC	± -
4 PLC	± -
ANGLES	± -
MATERIAL	FINISH
-	-

DWN	29SEP2018
GANESH C M	
CHK	29SEP2018
ALEXANDER SHARPE	
APVD	29SEP2018
ALEXANDER SHARPE	
PRODUCT SPEC	-
APPLICATION SPEC	-
WEIGHT	-
CUSTOMER DRAWING	

<b>STE</b> TE Connectivity Ltd.			
NAME			
SWITCH,AV,CAPACITIVE,19mm,FL BTN, ILLUM RING W/POWER LOGO,LED, LEADED W/1x6 REC			
SIZE	CAGE CODE	DRAWING NO	RESTRICTED TO
A3	00779	C-2342835	-
SCALE		SHEET	REV
NTS		2 of 3	3

**PRELIMINARY**


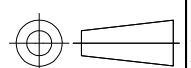
THIS DRAWING IS UNPUBLISHED. RELEASED FOR PUBLICATION  
 © COPYRIGHT - TE Connectivity Ltd. ALL RIGHTS RESERVED.

REVISIONS					
P	LTR	DESCRIPTION	DATE	DWN	APVD
-	-	SEE SHEET 1	-	-	-

NOTES:

- SPECIFICATIONS:
  - OPERATING LIFE: 50 MILLION CYCLES MIN.
  - ACTUATION FORCE: TOUCH, ZERO FORCE
  - RATING: 5-24 VDC@1A MAX.
  - CONTACT RESISTANCE: 1Ω MAX.
  - CURRENT DRAW WITHOUT ILLUMINATION: 2mA MAXIMUM
  - CURRENT DRAW WITH ILLUMINATION: 10mA MAXIMUM
  - OUTPUT MODE: NPN TRANSISTOR
  - OPERATING TEMPERATURE: -20° TO 65°C [-4° TO 149°F]
  - STORAGE TEMPERATURE: -40° TO 85°C [-40° TO 185°F]
  - INGRESS PROTECTION: IP68, PANEL SIDE
  - MOUNTING TORQUE: 2.5Nm MAXIMUM
- MATERIAL:
  - SEALING: SILICONE, EPOXY
  - O-RING: SILICONE
  - HEX NUT: NICKEL PLATED BRASS
  - WIRE: UL3385, UL10368 OR EQUIVALENT
  - BUSHING: SEE TABLE
  - CAP: SEE TABLE
- PACKAGING: SWITCH ASSEMBLIES ARE INDIVIDUALLY BUNDLED WITH ESD PROTECTION. HARDWARE IS NOT ASSEMBLED TO THE SWITCH.
- COMPLIANCE: THE CURRENT STATEMENT OF COMPLIANCE IS AVAILABLE AT TE.COM.
- HARDWARE IS SHIPPED UNASSEMBLED.

PC; STAINLESS STEEL	STAINLESS STEEL 316	RGB	MOMENTARY	AVC19MS16FE1DT5A04	2342835-9
PC; STAINLESS STEEL	STAINLESS STEEL 304	RGB	MOMENTARY	AVC19MS04FE1DT5A04	2342835-8
PC; ALUMINUM	ALUMINUM	RGB	MOMENTARY	AVC19MAIOFE1DT5A04	2342835-7
PC; STAINLESS STEEL	STAINLESS STEEL 316	RED LOCK	LOCKING	AVC19LS16FE13T5A04	2342835-6
PC; STAINLESS STEEL	STAINLESS STEEL 316	RGB	LOCKING	AVC19LS16FE1DT5A04	2342835-5
PC; STAINLESS STEEL	STAINLESS STEEL 304	RED LOCK	LOCKING	AVC19LS04FE13T5A04	2342835-4
PC; STAINLESS STEEL	STAINLESS STEEL 304	RGB	LOCKING	AVC19LS04FE1DT5A04	2342835-3
PC; ALUMINUM	ALUMINUM	RED LOCK	LOCKING	AVC19LAI0FE13T5A04	2342835-2
PC; ALUMINUM	ALUMINUM	RGB	LOCKING	AVC19LAI0FE1DT5A04	2342835-1
CAP MATERIAL	BUSHING MATERIAL	LED COLOR	CONTACT CONFIGURATION	TE SMART PART NUMBER	PART NUMBER

THIS DRAWING IS A CONTROLLED DOCUMENT.		DWN 29SEP2018 GANESH C M	 TE Connectivity Ltd.		
DIMENSIONS: mm [INCHES]		CHK 29SEP2018 ALEXANDER SHARPE			
		APVD 29SEP2018 ALEXANDER SHARPE	NAME SWITCH,AV,CAPACITIVE,19mm,FL BTN, ILLUM RING W/POWER LOGO,LED, LEADED W/1x6 REC		
TOLERANCES UNLESS OTHERWISE SPECIFIED:		PRODUCT SPEC	SIZE		
0 PLC ± -	1 PLC ± 0.4[.016]	APPLICATION SPEC	CAGE CODE		
2 PLC ± 0.25[.010]	3 PLC ± -	WEIGHT	DRAWING NO		
4 PLC ± -	ANGLES ± -	CUSTOMER DRAWING	RESTRICTED TO		
MATERIAL	FINISH	A3 00779 C-2342835			
-	-	SCALE NTS		SHEET 3 OF 3	REV 3

**PRELIMINARY**

## X-ON Electronics

Largest Supplier of Electrical and Electronic Components

*Click to view similar products for [Pushbutton Switches](#) category:*

*Click to view products by [TE Connectivity](#) manufacturer:*

Other Similar products are found below :

[8940K2012](#) [LW1L-M1C10V-A](#) [LW1L-M1C70-A](#) [LW2L-A1C20M-GD](#) [LW2L-M1C20M-A](#) [60324L](#) [M22-D-R-GB0/K11](#) [M7E-HRN2](#)  
[67021K512](#) [67081K512X](#) [701PB580](#) [7199K101](#) [810K12910](#) [810KSV30B](#) [MML21EA2ADK](#) [MML21KA3ABK](#) [MML23KA3AC05K-001](#)  
[MML23KW3AA01W](#) [8418K2](#) [8442K2](#) [8442K3](#) [8450K1](#) [860K11911T01A](#) [861901](#) [861K11911T01A07](#) [861K13810T00A14](#) [861K13911](#)  
[8646AB6X718UL](#) [8646ABUL](#) [9001KXRK](#) [907AYY100](#) [PMHD155A1](#) [9533CD4+U574+U4922](#) [95-414.000](#) [99-450.837](#) [99-453.837](#)  
[PV3H2B0NN-341](#) [1203MRA](#) [A22NZBGANGA](#) [A22NZBNANGA](#) [A22NZMPATRA](#) [A2PMA1X03EC56](#) [A3A-5123-02](#) [A3A-7140](#) [A3A-7310](#) [A3A-7340](#) [A3U-TMW-A2C-5M](#) [A595](#) [12037A2ULCSA](#) [ABD122N-B](#)