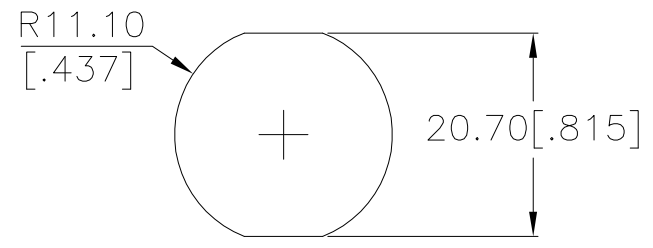
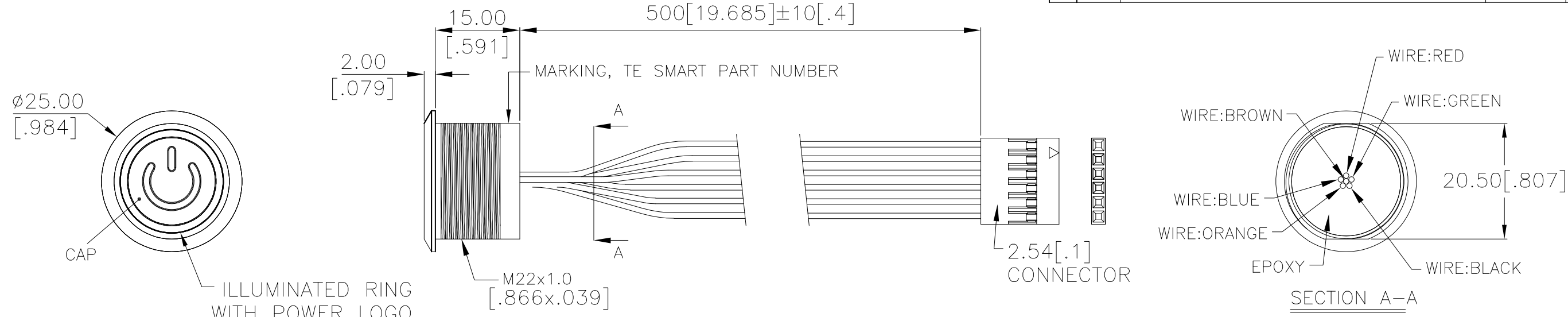


THIS DRAWING IS UNPUBLISHED. RELEASED FOR PUBLICATION
 © COPYRIGHT - TE Connectivity Ltd. ALL RIGHTS RESERVED.

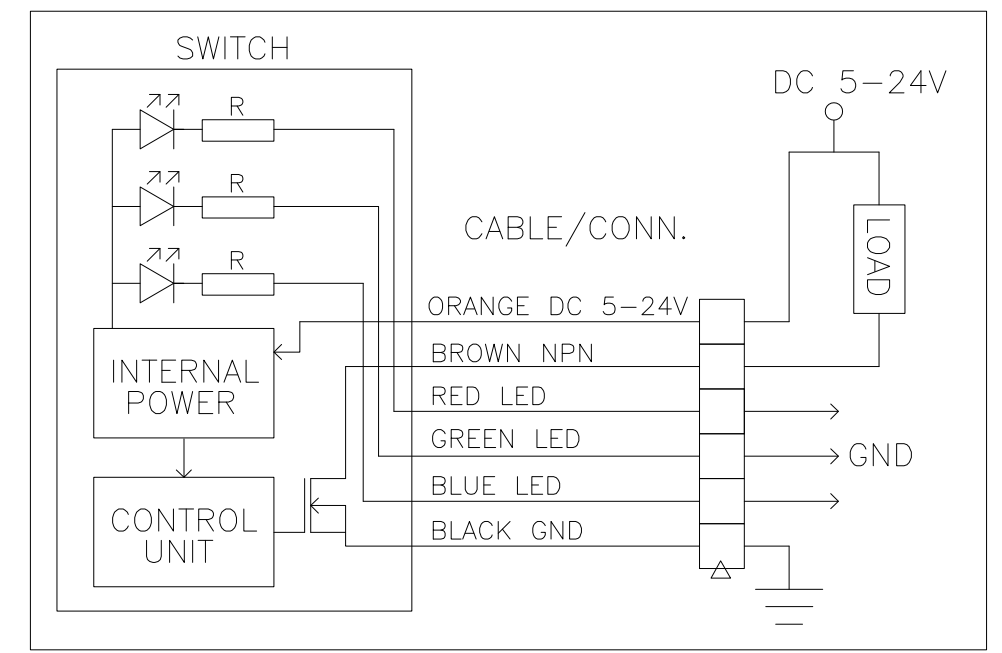
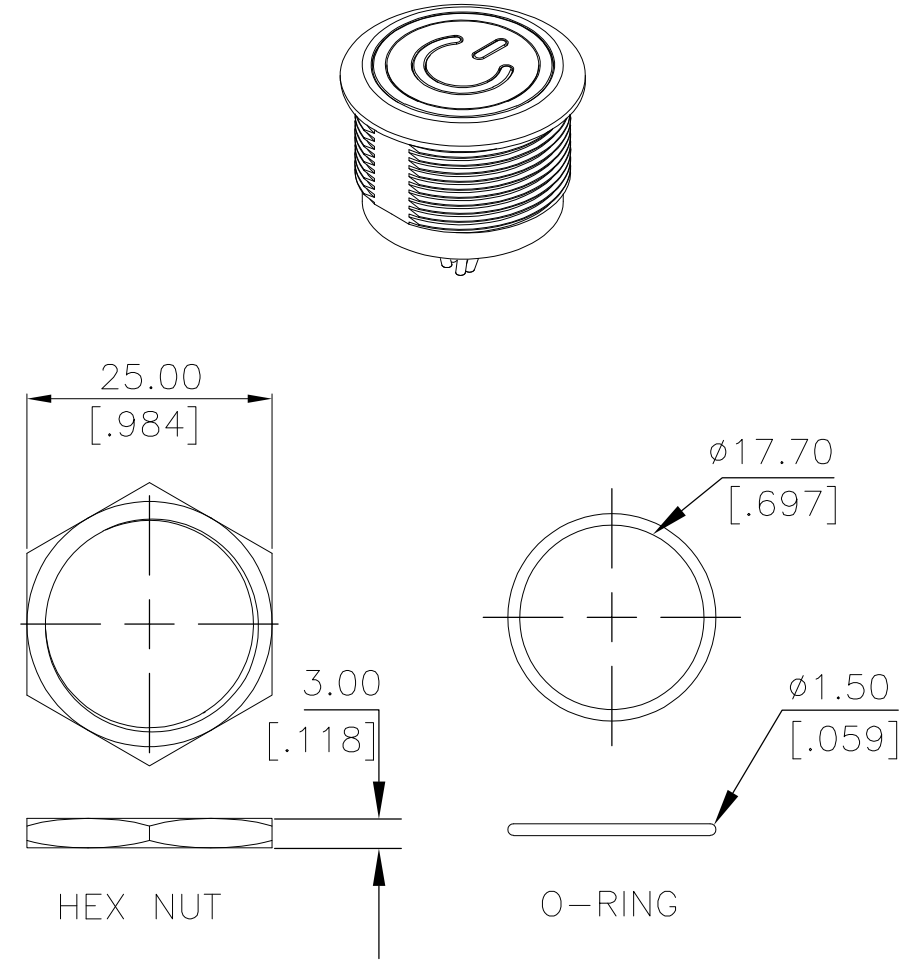
P	LTR	DESCRIPTION	DATE	DWN	APVD
	3	DRAWING UPDATED	19DEC2018	RSM	AS



PANEL CUTOUT
 PANEL THICKNESS: 10.0[.394] MAX

INDICATOR			
SWITCH	LED		
	RED	GREEN	BLUE
OFF	CUSTOMER DEFINED		
ON	CUSTOMER DEFINED		

APPLICABLE FOR TE P/N:
2342837-1
2342837-3
2342837-5
2342837-7
2342837-8
2342837-9



APPLICATION DIAGRAM

PRELIMINARY

THIS DRAWING IS A CONTROLLED DOCUMENT.		DWN 29SEP2018 GANESH C M		TE Connectivity Ltd.	
DIMENSIONS: mm [INCHES]		TOLERANCES UNLESS OTHERWISE SPECIFIED:			
		0 PLC ± - 1 PLC ± 0.4[.016] 2 PLC ± 0.25[.010] 3 PLC ± - 4 PLC ± - ANGLES ± -		CHK 29SEP2018 ALEXANDER SHARPE APVD 29SEP2018 ALEXANDER SHARPE	
MATERIAL		FINISH		PRODUCT SPEC APPLICATION SPEC WEIGHT	
CUSTOMER DRAWING				SIZE	RESTRICTED TO
				A3	-
				CAGE CODE	SCALE
				00779	NTS
				DRAWING NO	SHEET
				2342837	1 of 3
				REV	3

THIS DRAWING IS UNPUBLISHED.

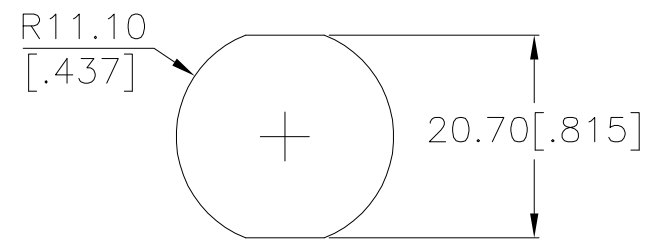
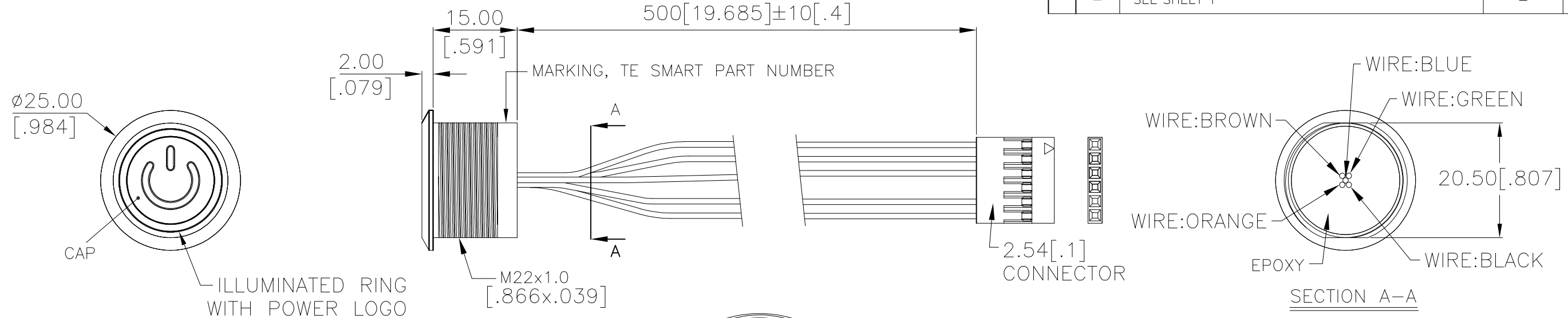
RELEASED FOR PUBLICATION

REVISIONS

© COPYRIGHT - TE Connectivity Ltd.

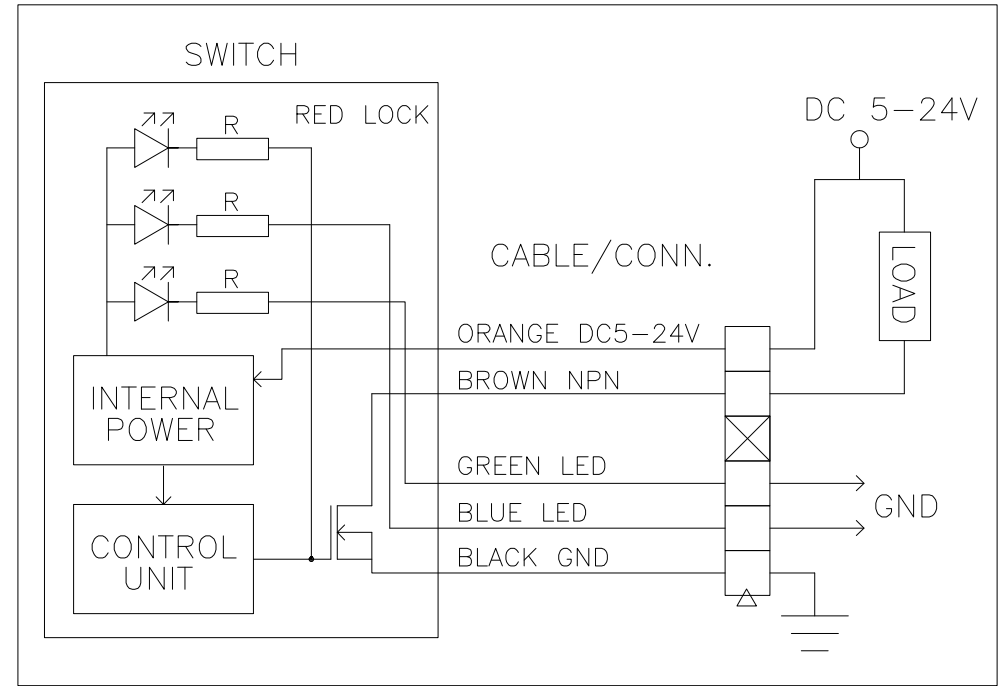
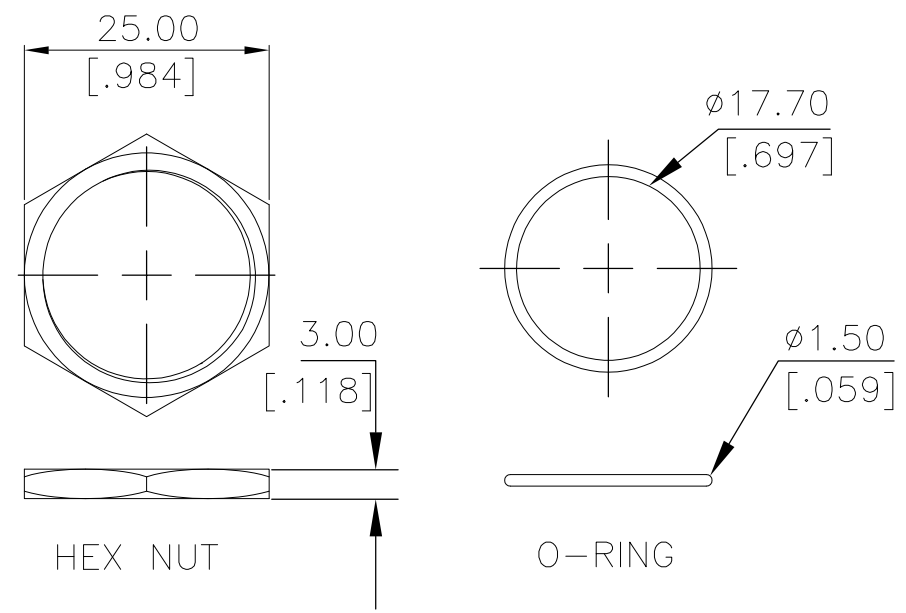
ALL RIGHTS RESERVED.

P	LTR	DESCRIPTION	DATE	DWN	APVD
-	-	SEE SHEET 1	-	-	-



PANEL CUTOUT
PANEL THICKNESS: 10.0[.394]MAX

INDICATOR			
SWITCH	LED		
	RED	GREEN	BLUE
OFF	ON	CUSTOMER DEFINED	
ON	OFF	CUSTOMER DEFINED	



APPLICABLE FOR TE P/N:	
2342837-2	
2342837-4	
2342837-6	

PRELIMINARY

THIS DRAWING IS A CONTROLLED DOCUMENT.		DWN 29SEP2018 GANESH C M		TE Connectivity Ltd.	
DIMENSIONS: mm [INCHES]		CHK 29SEP2018 ALEXANDER SHARPE			
TOLERANCES UNLESS OTHERWISE SPECIFIED:		APVD 29SEP2018 ALEXANDER SHARPE		NAME	
0 PLC ± - 1 PLC ± 0.4[.016] 2 PLC ± 0.25[.010] 3 PLC ± - 4 PLC ± - ANGLES ± -		PRODUCT SPEC		SWITCH,AV,CAPACITIVE,22mm,FL BTN, ILLUM RING W/POWER LOGO,LED, LEADED W/1x6 REC	
MATERIAL		FINISH		SIZE CAGE CODE DRAWING NO RESTRICTED TO	
-		-		A3 00779 C-2342837 -	
CUSTOMER DRAWING				SCALE NTS SHEET 2 of 3 REV 3	

THIS DRAWING IS UNPUBLISHED. RELEASED FOR PUBLICATION
 © COPYRIGHT - TE Connectivity Ltd. ALL RIGHTS RESERVED.

REVISIONS					
P	LTR	DESCRIPTION	DATE	DWN	APVD
-	-	SEE SHEET 1	-	-	-

NOTES:

1. SPECIFICATIONS:

1. OPERATING LIFE: 50 MILLION CYCLES MIN.
2. ACTUATION FORCE: TOUCH, ZERO FORCE
3. RATING: 5-24 VDC@1A MAX.
4. CONTACT RESISTANCE: 1Ω MAX.
5. CURRENT DRAW WITHOUT ILLUMINATION: 2mA MAXIMUM
6. CURRENT DRAW WITH ILLUMINATION: 10mA MAXIMUM
7. OUTPUT MODE: NPN TRANSISTOR
8. OPERATING TEMPERATURE: -20° TO 65°C [-4° TO 149°F]
9. STORAGE TEMPERATURE: -40° TO 85°C [-40° TO 185°F]
10. INGRESS PROTECTION: IP68, PANEL SIDE
11. MOUNTING TORQUE: 2.5Nm MAXIMUM

2. MATERIAL:

1. SEALING: SILICONE, EPOXY
2. O-RING: SILICONE
3. HEX NUT: NICKEL PLATED BRASS
4. WIRE: UL3385, UL10368 OR EQUIVALENT
5. BUSHING: SEE TABLE
6. CAP: SEE TABLE

3. PACKAGING:


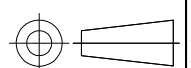
SWITCH ASSEMBLIES ARE INDIVIDUALLY BUNDLED WITH ESD PROTECTION.
 HARDWARE IS NOT ASSEMBLED TO THE SWITCH.

4. COMPLIANCE:

THE CURRENT STATEMENT OF COMPLIANCE IS AVAILABLE AT TE.COM.

5. HARDWARE IS SHIPPED UNASSEMBLED.

PC; STAINLESS STEEL	STAINLESS STEEL 316	RGB	MOMENTARY	AVC22MS16FE1DT5A04	2342837-9
PC; STAINLESS STEEL	STAINLESS STEEL 304	RGB	MOMENTARY	AVC22MS04FE1DT5A04	2342837-8
PC; ALUMINUM	ALUMINUM	RGB	MOMENTARY	AVC22MAIOFE1DT5A04	2342837-7
PC; STAINLESS STEEL	STAINLESS STEEL 316	RED LOCK	LOCKING	AVC22LS16FE13T5A04	2342837-6
PC; STAINLESS STEEL	STAINLESS STEEL 316	RGB	LOCKING	AVC22LS16FE1DT5A04	2342837-5
PC; STAINLESS STEEL	STAINLESS STEEL 304	RED LOCK	LOCKING	AVC22LS04FE13T5A04	2342837-4
PC; STAINLESS STEEL	STAINLESS STEEL 304	RGB	LOCKING	AVC22LS04FE1DT5A04	2342837-3
PC; ALUMINUM	ALUMINUM	RED LOCK	LOCKING	AVC22LAIOFE13T5A04	2342837-2
PC; ALUMINUM	ALUMINUM	RGB	LOCKING	AVC22LAIOFE1DT5A04	2342837-1
CAP MATERIAL	BUSHING MATERIAL	LED COLOR	CONTACT CONFIGURATION	TE SMART PART NUMBER	PART NUMBER

THIS DRAWING IS A CONTROLLED DOCUMENT.		DWN GANESH C M 29SEP2018	 TE Connectivity Ltd.		
DIMENSIONS: mm [INCHES]		CHK ALEXANDER SHARPE 29SEP2018			
		APVD ALEXANDER SHARPE 29SEP2018	NAME SWITCH,AV,CAPACITIVE,22mm,FL BTN, ILLUM RING W/POWER LOGO,LED, LEADED W/1x6 REC		
TOLERANCES UNLESS OTHERWISE SPECIFIED:		PRODUCT SPEC	RESTRICTED TO		
0 PLC ± - 1 PLC ± 0.4[.016] 2 PLC ± 0.25[.010] 3 PLC ± - 4 PLC ± - ANGLES ± -		APPLICATION SPEC	SIZE	CAGE CODE	DRAWING NO
MATERIAL	FINISH	WEIGHT	A3	00779	C-2342837
CUSTOMER DRAWING			SCALE	SHEET	REV
			NTS	3 OF 3	3

PRELIMINARY

X-ON Electronics

Largest Supplier of Electrical and Electronic Components

Click to view similar products for [Pushbutton Switches](#) category:

Click to view products by [TE Connectivity](#) manufacturer:

Other Similar products are found below :

[8940K2012](#) [LW1L-M1C10V-A](#) [LW1L-M1C70-A](#) [LW2L-A1C20M-GD](#) [LW2L-M1C20M-A](#) [60324L](#) [M22-D-R-GB0/K11](#) [M7E-HRN2](#)
[67021K512](#) [67081K512X](#) [701PB580](#) [7199K101](#) [810K12910](#) [810KSV30B](#) [MML21EA2ADK](#) [MML21KA3ABK](#) [MML23KA3AC05K-001](#)
[MML23KW3AA01W](#) [8418K2](#) [8442K3](#) [8450K1](#) [860K11911T01A](#) [861901](#) [861K11911T01A07](#) [861K13810T00A14](#) [861K13911](#)
[8646AB6X718UL](#) [8646ABUL](#) [9001KXRK](#) [907AYY100](#) [PMHD155A1](#) [9533CD4+U574+U4922](#) [95-414.000](#) [99-450.837](#) [99-453.837](#)
[PV3H2B0NN-341](#) [1203MRA](#) [A22NZBGANGA](#) [A22NZBNANGA](#) [A22NZMPATRA](#) [A2PMA1X03EC56](#) [A3A-5123-02](#) [A3A-7140](#) [A3A-7310](#) [A3A-7340](#) [A3U-TMW-A2C-5M](#) [A595](#) [12037A2ULCSA](#) [ABD122N-B](#) [1211390004](#)