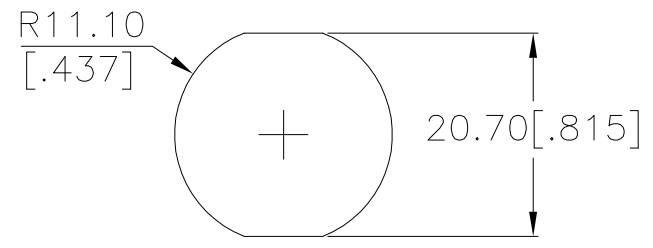
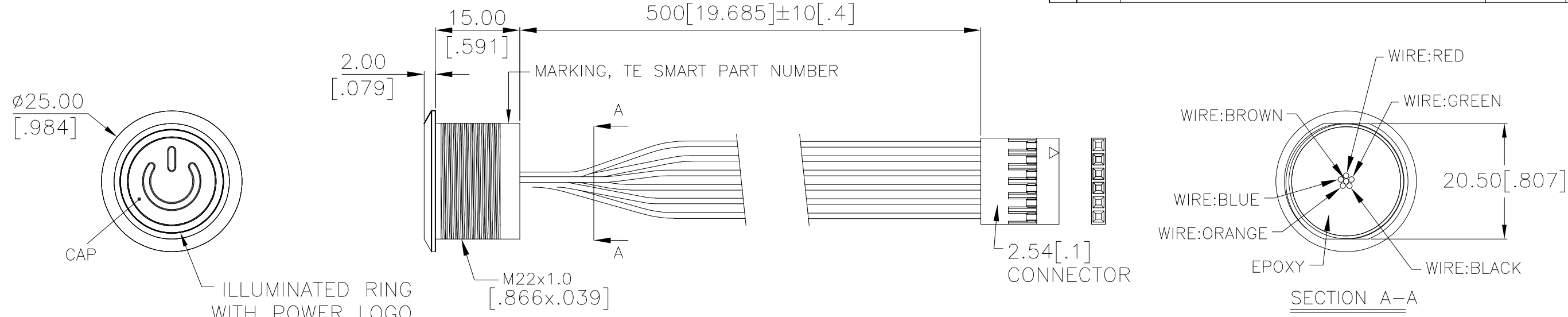


THIS DRAWING IS UNPUBLISHED. RELEASED FOR PUBLICATION
 © COPYRIGHT - TE Connectivity Ltd. ALL RIGHTS RESERVED.

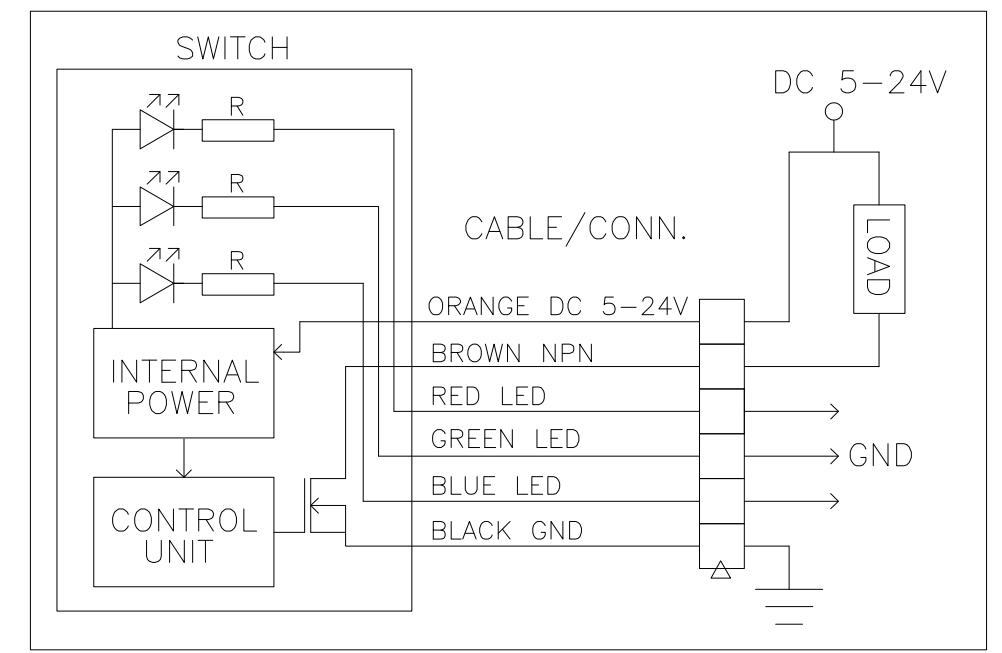
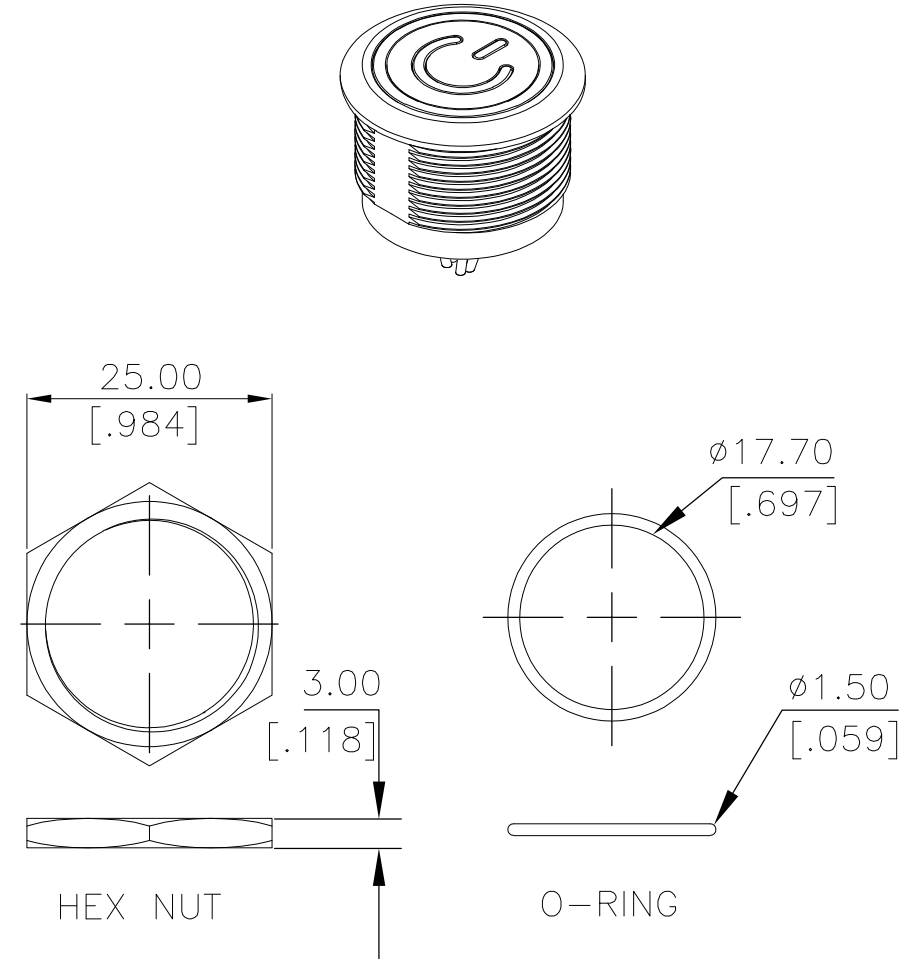
| P | LTR | DESCRIPTION | DATE | DWN | APVD |
|---|-----|-----------------|-----------|-----|------|
| | 3 | DRAWING UPDATED | 19DEC2018 | RSM | AS |



PANEL CUTOUT
 PANEL THICKNESS: 10.0[.394] MAX

| INDICATOR | | | |
|-----------|------------------|-------|------|
| SWITCH | LED | | |
| | RED | GREEN | BLUE |
| OFF | CUSTOMER DEFINED | | |
| ON | CUSTOMER DEFINED | | |

| APPLICABLE FOR TE P/N: |
|------------------------|
| 2342837-1 |
| 2342837-3 |
| 2342837-5 |
| 2342837-7 |
| 2342837-8 |
| 2342837-9 |



APPLICATION DIAGRAM

PRELIMINARY

| | | | | | |
|--|--|---------------------------------|---|-----------------|----------------------|
| THIS DRAWING IS A CONTROLLED DOCUMENT. | | DWN GANESH C M 29SEP2018 | TE Connectivity Ltd. | | |
| DIMENSIONS: mm [INCHES] | | CHK ALEXANDER SHARPE 29SEP2018 | | | |
| TOLERANCES UNLESS OTHERWISE SPECIFIED: | | APVD ALEXANDER SHARPE 29SEP2018 | NAME | | |
| 0 PLC ± - 1 PLC ± 0.4[.016] 2 PLC ± 0.25[.010] 3 PLC ± - 4 PLC ± - ANGLES ± - FINISH ± - | | PRODUCT SPEC - | SWITCH,AV,CAPACITIVE,22mm,FL BTN, ILLUM RING W/POWER LOGO,LED, LEADED W/1x6 REC | | |
| MATERIAL - | | APPLICATION SPEC - | SIZE A3 | CAGE CODE 00779 | DRAWING NO C-2342837 |
| | | WEIGHT - | RESTRICTED TO - | | |
| | | CUSTOMER DRAWING | SCALE NTS | SHEET 1 of 3 | REV 3 |

THIS DRAWING IS UNPUBLISHED.

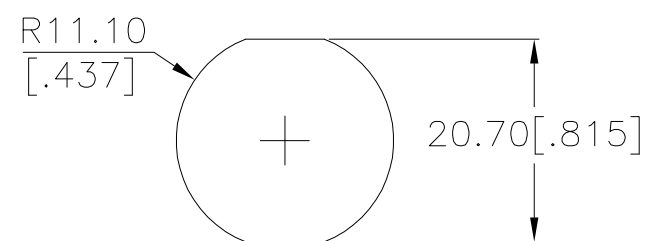
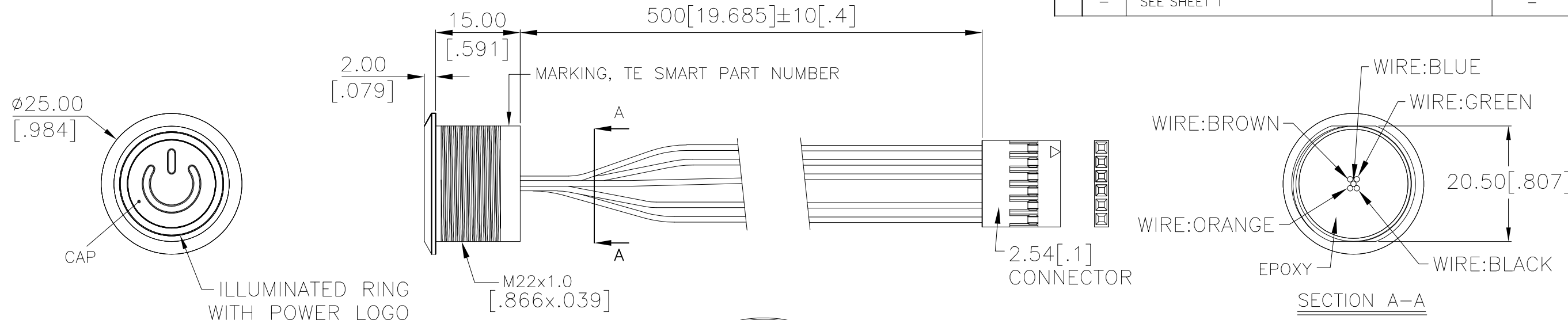
RELEASED FOR PUBLICATION

REVISIONS

© COPYRIGHT - TE Connectivity Ltd.

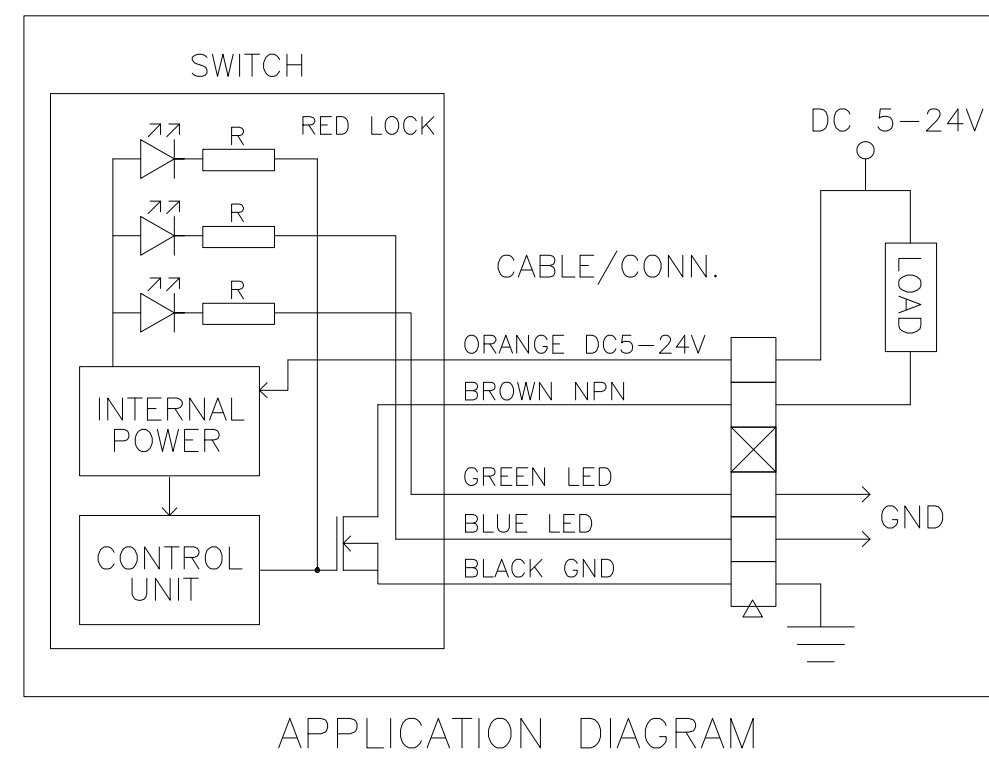
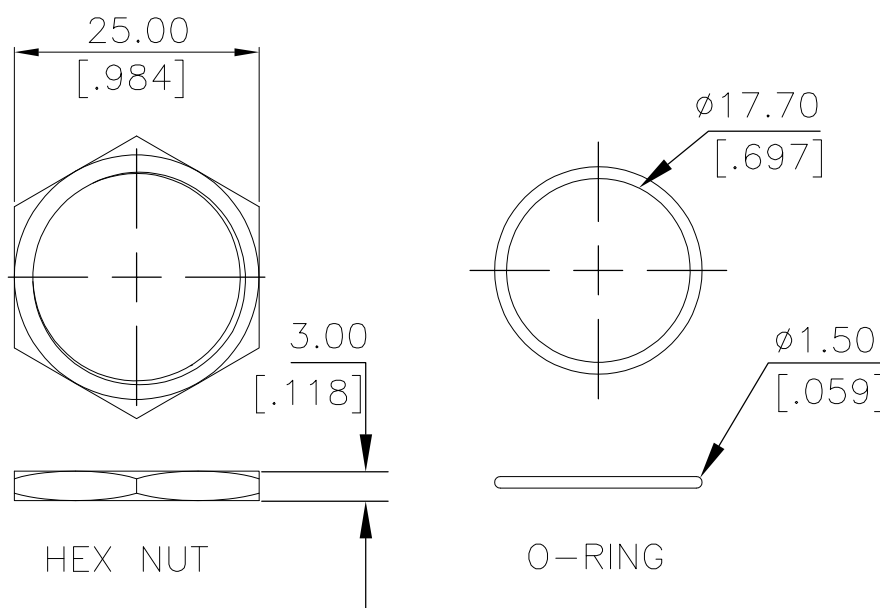
ALL RIGHTS RESERVED.

| P | LTR | DESCRIPTION | DATE | DWN | APVD |
|---|-----|-------------|------|-----|------|
| - | - | SEE SHEET 1 | - | - | - |



PANEL CUTOUT
PANEL THICKNESS: 10.0 [.394] MAX

| INDICATOR | | | |
|-----------|-----|------------------|------|
| SWITCH | LED | | |
| | RED | GREEN | BLUE |
| OFF | ON | CUSTOMER DEFINED | |
| ON | OFF | CUSTOMER DEFINED | |



| APPLICABLE FOR TE P/N: | |
|------------------------|--|
| 2342837-2 | |
| 2342837-4 | |
| 2342837-6 | |

PRELIMINARY

| | | | | |
|--|--|---------------------------------------|---|---------------|
| THIS DRAWING IS A CONTROLLED DOCUMENT. | | DWN GANESH C M 29SEP2018 | TE Connectivity Ltd. | |
| DIMENSIONS: mm [INCHES] | | CHK ALEXANDER SHARPE 29SEP2018 | | |
| TOLERANCES UNLESS OTHERWISE SPECIFIED: 0 PLC ± - 1 PLC ± 0.4 [.016] 2 PLC ± 0.25 [.010] 3 PLC ± - 4 PLC ± - ANGLES ± - | | APVD ALEXANDER SHARPE 29SEP2018 | NAME | |
| | | PRODUCT SPEC | SWITCH,AV,CAPACITIVE,22mm,FL BTN, ILLUM RING W/POWER LOGO,LED, LEADED W/1x6 REC | |
| MATERIAL | | APPLICATION SPEC | SIZE | RESTRICTED TO |
| FINISH | | WEIGHT | CAGE CODE | |
| | | CUSTOMER DRAWING | DRAWING NO | |
| | | | A3 00779 | |
| | | | SCALE | |
| | | | NTS | |
| | | | SHEET | |
| | | | 2 of 3 | |
| | | | REV | |
| | | | 3 | |

THIS DRAWING IS UNPUBLISHED. RELEASED FOR PUBLICATION
 © COPYRIGHT - TE Connectivity Ltd. ALL RIGHTS RESERVED.

| REVISIONS | | | | | |
|-----------|-----|-------------|------|-----|------|
| P | LTR | DESCRIPTION | DATE | DWN | APVD |
| - | - | SEE SHEET 1 | - | - | - |

NOTES:

1. SPECIFICATIONS:

1. OPERATING LIFE: 50 MILLION CYCLES MIN.
2. ACTUATION FORCE: TOUCH, ZERO FORCE
3. RATING: 5-24 VDC@1A MAX.
4. CONTACT RESISTANCE: 1Ω MAX.
5. CURRENT DRAW WITHOUT ILLUMINATION: 2mA MAXIMUM
6. CURRENT DRAW WITH ILLUMINATION: 10mA MAXIMUM
7. OUTPUT MODE: NPN TRANSISTOR
8. OPERATING TEMPERATURE: -20° TO 65°C [-4° TO 149°F]
9. STORAGE TEMPERATURE: -40° TO 85°C [-40° TO 185°F]
10. INGRESS PROTECTION: IP68, PANEL SIDE
11. MOUNTING TORQUE: 2.5Nm MAXIMUM

2. MATERIAL:

1. SEALING: SILICONE, EPOXY
2. O-RING: SILICONE
3. HEX NUT: NICKEL PLATED BRASS
4. WIRE: UL3385, UL10368 OR EQUIVALENT
5. BUSHING: SEE TABLE
6. CAP: SEE TABLE

3. PACKAGING:


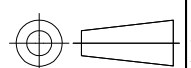
SWITCH ASSEMBLIES ARE INDIVIDUALLY BUNDLED WITH ESD PROTECTION.
 HARDWARE IS NOT ASSEMBLED TO THE SWITCH.

4. COMPLIANCE:

THE CURRENT STATEMENT OF COMPLIANCE IS AVAILABLE AT TE.COM.

5. HARDWARE IS SHIPPED UNASSEMBLED.

| | | | | | |
|---------------------|---------------------|-----------|-----------------------|----------------------|-------------|
| PC; STAINLESS STEEL | STAINLESS STEEL 316 | RGB | MOMENTARY | AVC22MS16FE1DT5A04 | 2342837-9 |
| PC; STAINLESS STEEL | STAINLESS STEEL 304 | RGB | MOMENTARY | AVC22MS04FE1DT5A04 | 2342837-8 |
| PC; ALUMINUM | ALUMINUM | RGB | MOMENTARY | AVC22MAIOFE1DT5A04 | 2342837-7 |
| PC; STAINLESS STEEL | STAINLESS STEEL 316 | RED LOCK | LOCKING | AVC22LS16FE13T5A04 | 2342837-6 |
| PC; STAINLESS STEEL | STAINLESS STEEL 316 | RGB | LOCKING | AVC22LS16FE1DT5A04 | 2342837-5 |
| PC; STAINLESS STEEL | STAINLESS STEEL 304 | RED LOCK | LOCKING | AVC22LS04FE13T5A04 | 2342837-4 |
| PC; STAINLESS STEEL | STAINLESS STEEL 304 | RGB | LOCKING | AVC22LS04FE1DT5A04 | 2342837-3 |
| PC; ALUMINUM | ALUMINUM | RED LOCK | LOCKING | AVC22LAIOFE13T5A04 | 2342837-2 |
| PC; ALUMINUM | ALUMINUM | RGB | LOCKING | AVC22LAIOFE1DT5A04 | 2342837-1 |
| CAP MATERIAL | BUSHING MATERIAL | LED COLOR | CONTACT CONFIGURATION | TE SMART PART NUMBER | PART NUMBER |

| | | | | | |
|---|--|------------------------------------|--|-----------|------------|
| THIS DRAWING IS A CONTROLLED DOCUMENT. | | DWN 29SEP2018 GANESH C M |  TE Connectivity Ltd. | | |
| DIMENSIONS: mm [INCHES] | | CHK 29SEP2018 ALEXANDER SHARPE | | | |
|  | | APVD 29SEP2018 ALEXANDER SHARPE | SWITCH,AV,CAPACITIVE,22mm,FL BTN, ILLUM RING W/POWER LOGO,LED, LEADED W/1x6 REC | | |
| TOLERANCES UNLESS OTHERWISE SPECIFIED: | | PRODUCT SPEC | RESTRICTED TO | | |
| 0 PLC ± - | | APPLICATION SPEC | SIZE | CAGE CODE | DRAWING NO |
| 1 PLC ± 0.4[.016] | | WEIGHT | A3 00779 C-2342837 | | |
| 2 PLC ± 0.25[.010] | | CUSTOMER DRAWING | | | |
| 3 PLC ± - | | SCALE NTS | | | |
| 4 PLC ± - | | SHEET 3 OF 3 | | | |
| ANGLES ± - | | REV 3 | | | |
| FINISH | | | | | |

PRELIMINARY

X-ON Electronics

Largest Supplier of Electrical and Electronic Components

Click to view similar products for [Pushbutton Switches](#) category:

Click to view products by [TE Connectivity](#) manufacturer:

Other Similar products are found below :

[8940K2012](#) [LW1L-M1C10V-A](#) [LW1L-M1C70-A](#) [LW2L-A1C20M-GD](#) [LW2L-M1C20M-A](#) [60324L](#) [M22-D-R-GB0/K11](#) [M7E-HRN2](#)
[67021K512](#) [67081K512X](#) [701PB580](#) [7199K101](#) [810K12910](#) [810KSV30B](#) [MML21EA2ADK](#) [MML21KA3ABK](#) [MML23KA3AC05K-001](#)
[MML23KW3AA01W](#) [8418K2](#) [8442K2](#) [8442K3](#) [8450K1](#) [860K11911T01A](#) [861901](#) [861K11911T01A07](#) [861K13810T00A14](#) [861K13911](#)
[8646AB6X718UL](#) [8646ABUL](#) [9001KXRK](#) [907AYY100](#) [PMHD155A1](#) [9533CD4+U574+U4922](#) [95-414.000](#) [99-450.837](#) [99-453.837](#)
[PV3H2B0NN-341](#) [1203MRA](#) [A22NZBGANGA](#) [A22NZBNANGA](#) [A22NZMPATRA](#) [A2PMA1X03EC56](#) [A3A-5123-02](#) [A3A-7140](#) [A3A-7310](#) [A3A-7340](#) [A3U-TMW-A2C-5M](#) [A595](#) [12037A2ULCSA](#) [ABD122N-B](#)