

THIS DRAWING IS UNPUBLISHED.

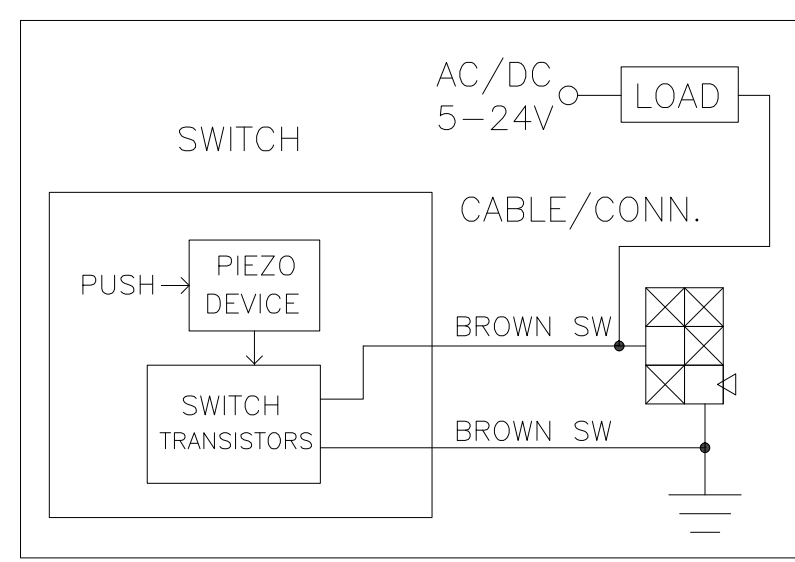
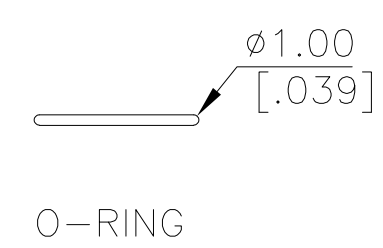
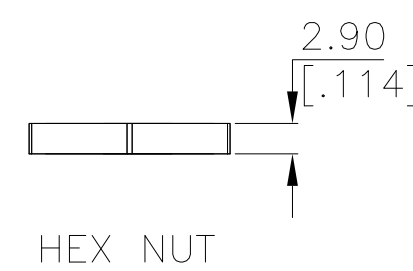
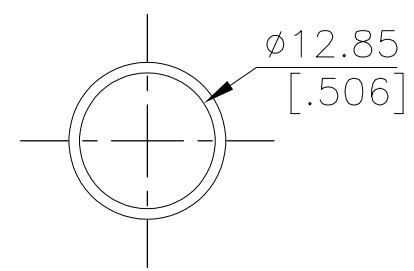
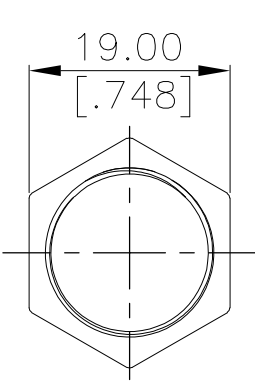
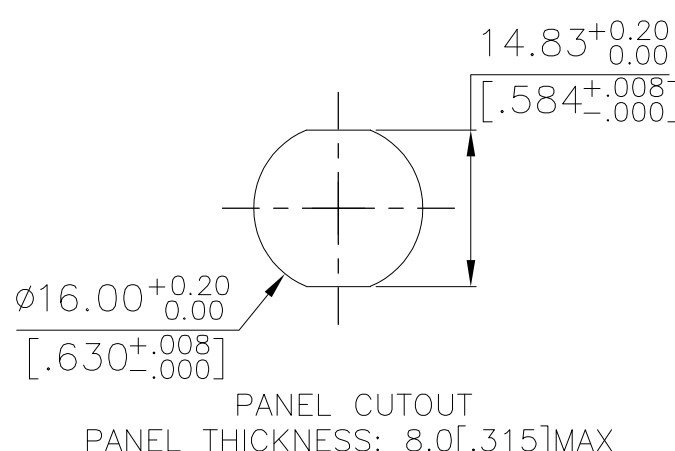
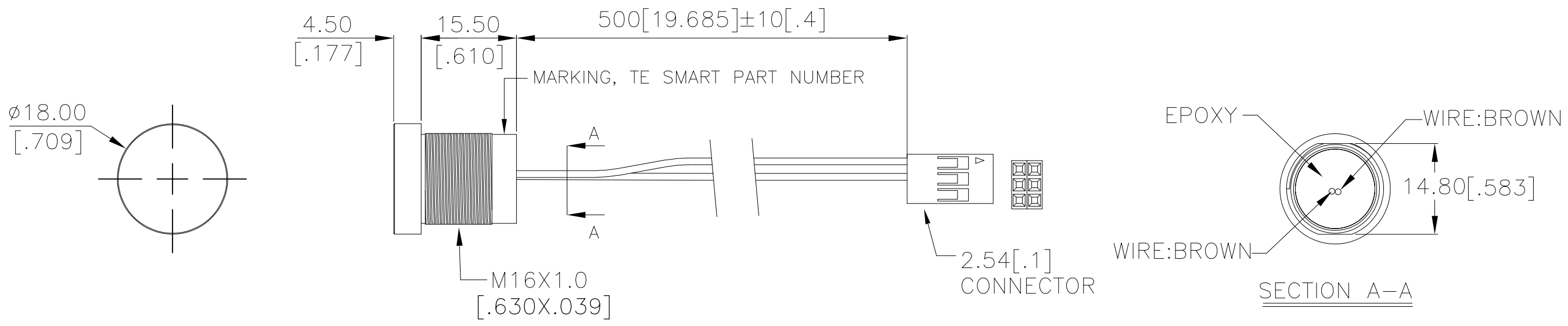
RELEASED FOR PUBLICATION

ALL RIGHTS RESERVED.

© COPYRIGHT - TE Connectivity Ltd.

REVISIONS

P	LTR	DESCRIPTION	DATE	DWN	APVD
	3	DRAWING UPDATED	20DEC2018	RSM	AS



APPLICATION DIAGRAM

PRELIMINARY

THIS DRAWING IS A CONTROLLED DOCUMENT.		DWN GANESH C M 29SEP2018	TE Connectivity Ltd.															
DIMENSIONS: mm [INCHES]		CHK ALEXANDER SHARPE 29SEP2018				NAME												
TOLERANCES UNLESS OTHERWISE SPECIFIED:		APVD ALEXANDER SHARPE 29SEP2018	SWITCH,AV,PIEZO,16mm,HIGH FL BTN, NO LED,LEADED W/ 2x3 REC															
<table border="1"> <tr><td>0 PLC</td><td>± -</td></tr> <tr><td>1 PLC</td><td>± 0.4 [.016]</td></tr> <tr><td>2 PLC</td><td>± 0.25 [.010]</td></tr> <tr><td>3 PLC</td><td>± -</td></tr> <tr><td>4 PLC</td><td>± -</td></tr> <tr><td>ANGLES</td><td>± -</td></tr> </table>		0 PLC	± -	1 PLC	± 0.4 [.016]	2 PLC	± 0.25 [.010]	3 PLC	± -	4 PLC	± -	ANGLES	± -	PRODUCT SPEC	SIZE	CAGE CODE	DRAWING NO	RESTRICTED TO
0 PLC	± -																	
1 PLC	± 0.4 [.016]																	
2 PLC	± 0.25 [.010]																	
3 PLC	± -																	
4 PLC	± -																	
ANGLES	± -																	
MATERIAL		APPLICATION SPEC	A3	00779	C=2342838	-												
FINISH		WEIGHT	CUSTOMER DRAWING		SCALE NTS	SHEET 1 OF 2	REV 3											

THIS DRAWING IS UNPUBLISHED. RELEASED FOR PUBLICATION
 © COPYRIGHT - TE Connectivity Ltd. ALL RIGHTS RESERVED.

REVISIONS					
P	LTR	DESCRIPTION	DATE	DWN	APVD
	-	SEE SHEET 1	-	-	-


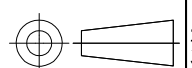
NOTES:

1. SPECIFICATIONS:
 1. OPERATING LIFE: 50 MILLION CYCLES MIN.
 2. ACTUATION FORCE: 2 N - 5 N [0.45 LBF - 1.12 LBF]
 3. RATING: 5-24 VDC@1A MAX., 5-24 VAC@1A MAX.
 4. CONTACT RESISTANCE: 1Ω MAX.
 5. TYPE: MOMENTARY PULSE, 200mS MIN.
 6. OUTPUT MODE: TRANSISTOR
 7. OPERATING TEMPERATURE: -20° TO 65°C [-4° TO 149°F]
 8. STORAGE TEMPERATURE: -40° TO 85°C [-40° TO 185°F]
 9. INGRESS PROTECTION: IP68, PANEL SIDE
 10. MOUNTING TORQUE: 2.5Nm MAXIMUM
2. MATERIAL:
 1. SEALING: SILICONE, EPOXY
 2. O-RING: SILICONE
 3. HEX NUT: NICKEL PLATED BRASS
 4. WIRE: UL3385, UL10368 OR EQUIVALENT
 5. BUSHING: SEE TABLE
3. PACKAGING:

SWITCH ASSEMBLIES ARE INDIVIDUALLY BUNDLED WITH ESD PROTECTION.
 HARDWARE IS NOT ASSEMBLED TO THE SWITCH.
4. COMPLIANCE:

THE CURRENT STATEMENT OF COMPLIANCE IS AVAILABLE AT TE.COM.
5. HARDWARE IS SHIPPED UNASSEMBLED.

STAINLESS STEEL 316	NO LED	MOMENTARY	AVP16MS16H000T5B04	2342838-4
STAINLESS STEEL 304	NO LED	MOMENTARY	AVP16MS04H000T5B04	2342838-3
ALUMINUM, BLACK ANODIZED	NO LED	MOMENTARY	AVP16MAIBH000T5B04	2342838-2
ALUMINUM	NO LED	MOMENTARY	AVP16MAIOH000T5B04	2342838-1
BUSHING MATERIAL	LED COLOR	CONTACT CONFIGURATION	TE SMART PART NUMBER	PART NUMBER

THIS DRAWING IS A CONTROLLED DOCUMENT.		DWN 29SEP2018 GANESH C M	 TE Connectivity Ltd.				
DIMENSIONS: mm [INCHES]		CHK 29SEP2018 ALEXANDER SHARPE				NAME SWITCH,AV,PIEZO,16mm,HIGH FL BTN, NO LED,LEADED W/ 2x3 REC	
		APVD 29SEP2018 ALEXANDER SHARPE	PRODUCT SPEC -				
TOLERANCES UNLESS OTHERWISE SPECIFIED:		APPLICATION SPEC -	SIZE A3	CAGE CODE 00779	DRAWING NO C-2342838	RESTRICTED TO -	
MATERIAL -		FINISH -	WEIGHT -		SCALE NTS	SHEET 2 OF 2	REV 3
CUSTOMER DRAWING							

PRELIMINARY

X-ON Electronics

Largest Supplier of Electrical and Electronic Components

Click to view similar products for [Pushbutton Switches](#) category:

Click to view products by [TE Connectivity](#) manufacturer:

Other Similar products are found below :

[8940K2012](#) [LW1L-M1C10V-A](#) [LW1L-M1C70-A](#) [LW2L-A1C20M-GD](#) [LW2L-M1C20M-A](#) [60324L](#) [M22-D-R-GB0/K11](#) [M7E-HRN2](#)
[67021K512](#) [67081K512X](#) [701PB580](#) [7199K101](#) [810K12910](#) [810KSV30B](#) [MML21EA2ADK](#) [MML21KA3ABK](#) [MML23KA3AC05K-001](#)
[MML23KW3AA01W](#) [8418K2](#) [8442K2](#) [8442K3](#) [8450K1](#) [860K11911T01A](#) [861901](#) [861K11911T01A07](#) [861K13810T00A14](#) [861K13911](#)
[8646AB6X718UL](#) [8646ABUL](#) [9001KXRK](#) [907AYY100](#) [PMHD155A1](#) [9533CD4+U574+U4922](#) [95-414.000](#) [99-450.837](#) [99-453.837](#)
[PV3H2B0NN-341](#) [1203MRA](#) [A22NZBGANGA](#) [A22NZBNANGA](#) [A22NZMPATRA](#) [A2PMA1X03EC56](#) [A3A-5123-02](#) [A3A-7140](#) [A3A-7310](#) [A3A-7340](#) [A3U-TMW-A2C-5M](#) [A595](#) [12037A2ULCSA](#) [ABD122N-B](#)