

THIS DRAWING IS UNPUBLISHED.

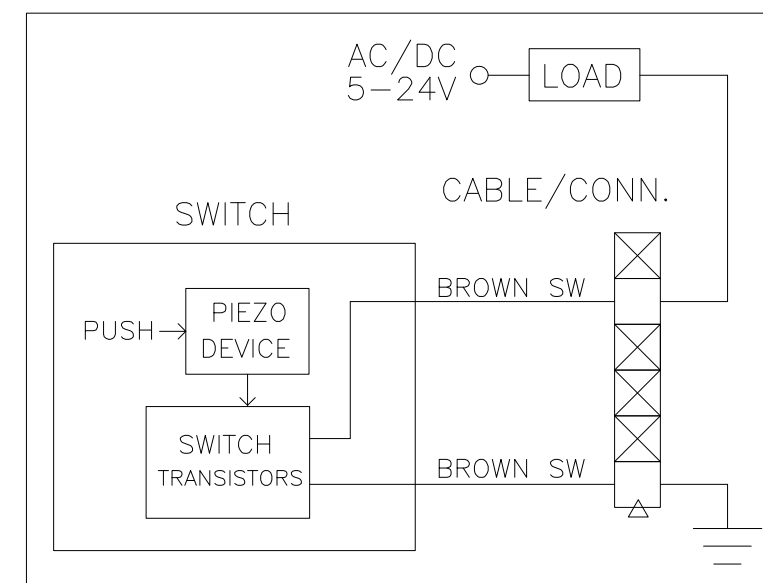
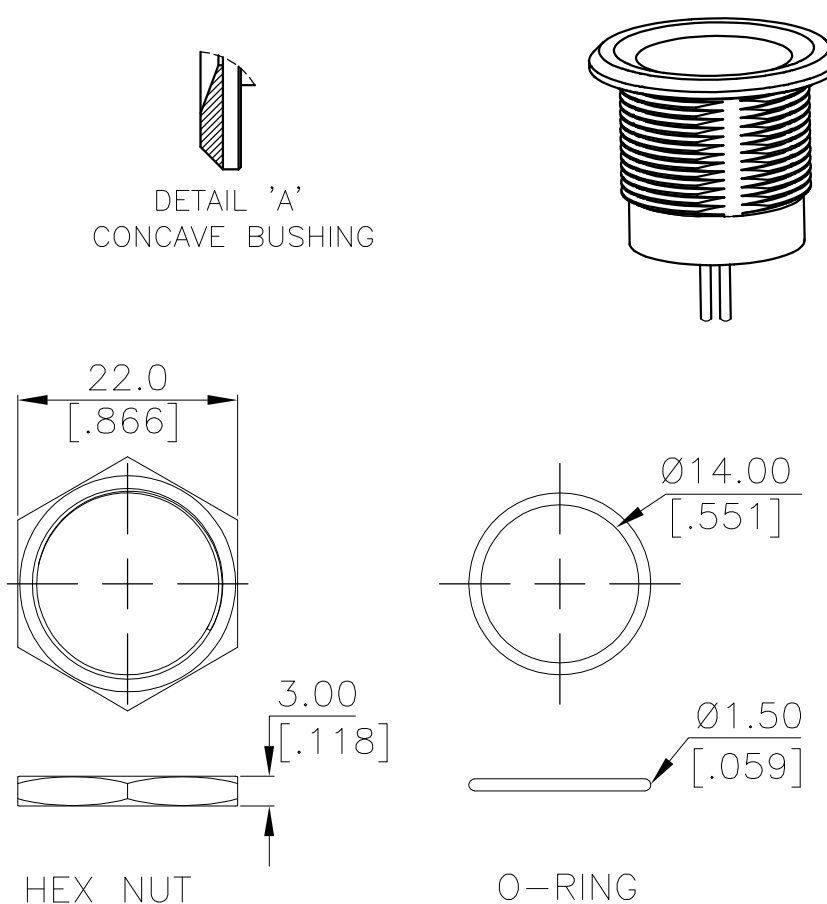
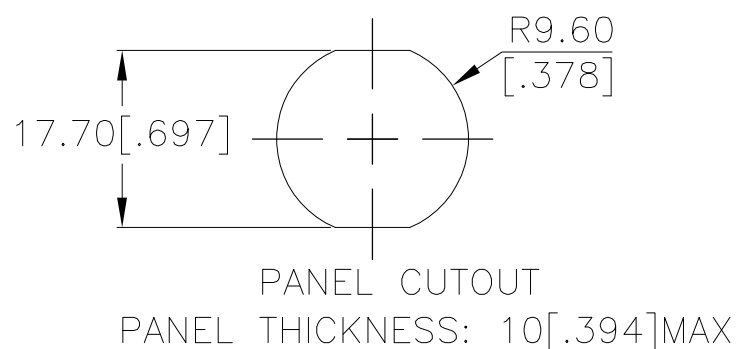
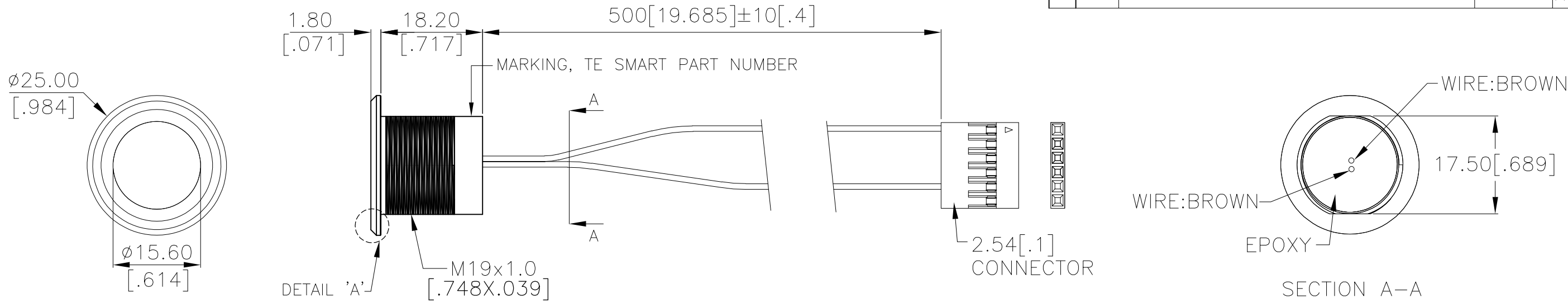
RELEASED FOR PUBLICATION

ALL RIGHTS RESERVED.

© COPYRIGHT - TE Connectivity Ltd.

REVISIONS

P	LTR	DESCRIPTION	DATE	DWN	APVD
	3	DRAWING UPDATED	20DEC2018	RSM	AS



APPLICATION DIAGRAM

PRELIMINARY

THIS DRAWING IS A CONTROLLED DOCUMENT.		DWN GANESH C M 29SEP2018	TE Connectivity Ltd.														
DIMENSIONS: mm [INCHES]		CHK ALEXANDER SHARPE 29SEP2018				NAME SWITCH,AV,PIEZO,19mm,CONCAVE BTN, NO LED,LEADED W/ 1x6 REC											
TOLERANCES UNLESS OTHERWISE SPECIFIED:		APVD ALEXANDER SHARPE 29SEP2018	PRODUCT SPEC														
<table border="0"> <tr><td>0 PLC</td><td>± -</td></tr> <tr><td>1 PLC</td><td>± 0.4[.016]</td></tr> <tr><td>2 PLC</td><td>± 0.25[.010]</td></tr> <tr><td>3 PLC</td><td>± -</td></tr> <tr><td>4 PLC</td><td>± -</td></tr> <tr><td>ANGLES</td><td>± -</td></tr> </table>		0 PLC	± -	1 PLC	± 0.4[.016]	2 PLC	± 0.25[.010]	3 PLC	± -	4 PLC	± -	ANGLES	± -	APPLICATION SPEC		SIZE	RESTRICTED TO
0 PLC	± -																
1 PLC	± 0.4[.016]																
2 PLC	± 0.25[.010]																
3 PLC	± -																
4 PLC	± -																
ANGLES	± -																
MATERIAL		WEIGHT		CAGE CODE	DRAWING NO												
FINISH		CUSTOMER DRAWING		A3 00779	C=2342841												
		SCALE		SHEET	REV												
		NTS		1 OF 2	3												

THIS DRAWING IS UNPUBLISHED.

RELEASED FOR PUBLICATION

REVISIONS

© NOTES: TE Connectivity Ltd.

ALL RIGHTS RESERVED.

P	LTR	DESCRIPTION	DATE	DWN	APVD
-	-	SEE SHEET 1	-	-	-

NOTES:

1. SPECIFICATIONS:

- 1. OPERATING LIFE: 50 MILLION CYCLES MIN.
- 2. ACTUATION FORCE: 2 N – 5 N [0.45 LBF – 1.12 LBF]
- 3. RATING: 5–24 VDC@1A MAX., 5–24 VAC@1A MAX.
- 4. CONTACT RESISTANCE: 1Ω MAX.
- 5. TYPE: MOMENTARY PULSE, 200ms MIN.
- 6. OUTPUT MODE: TRANSISTOR
- 7. OPERATING TEMPERATURE: –20° TO 65°C [–4° TO 149°F]
- 8. STORAGE TEMPERATURE: –40° TO 85°C [–40° TO 185°F]
- 9. INGRESS PROTECTION: IP68, PANEL SIDE
- 10. MOUNTING TORQUE: 2.5Nm MAXIMUM

2. MATERIAL:

- 1. SEALING: SILICONE, EPOXY
- 2. O-RING: SILICONE
- 3. HEX NUT: NICKEL PLATED BRASS
- 4. WIRE: UL3385, UL10368 OR EQUIVALENT
- 5. BUSHING: SEE TABLE

3. PACKAGING:


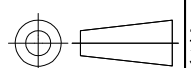
SWITCH ASSEMBLIES ARE INDIVIDUALLY BUNDLED WITH ESD PROTECTION. HARDWARE IS NOT ASSEMBLED TO THE SWITCH.

4. COMPLIANCE:

THE CURRENT STATEMENT OF COMPLIANCE IS AVAILABLE AT TE.COM.

5. HARDWARE IS SHIPPED UNASSEMBLED.

STAINLESS STEEL 316	NO LED	MOMENTARY	AVP19MS16C000T5A04	2342841–4
STAINLESS STEEL 304	NO LED	MOMENTARY	AVP19MS04C000T5A04	2342841–3
ALUMINUM, BLACK ANODIZED	NO LED	MOMENTARY	AVP19MAIBC000T5A04	2342841–2
ALUMINUM	NO LED	MOMENTARY	AVP19MAIOC000T5A04	2342841–1
BUSHING MATERIAL	LED COLOR	CONTACT CONFIGURATION	TE SMART PART NUMBER	PART NUMBER

THIS DRAWING IS A CONTROLLED DOCUMENT.		DWN GANESH C M 29SEP2018	 TE Connectivity Ltd.		
DIMENSIONS: mm [INCHES]		CHK ALEXANDER SHARPE 29SEP2018			
		APVD ALEXANDER SHARPE 29SEP2018	NAME SWITCH,AV,PIEZO,19mm,CONCAVE BTN, NO LED,LEADED W/ 1x6 REC		
TOLERANCES UNLESS OTHERWISE SPECIFIED:		PRODUCT SPEC	RESTRICTED TO		
0 PLC ± -		APPLICATION SPEC	SIZE	CAGE CODE	DRAWING NO
1 PLC ± 0.4[.016]		WEIGHT	A3	00779	C=2342841
2 PLC ± 0.25[.010]		CUSTOMER DRAWING			
3 PLC ± -		SCALE NTS			
4 PLC ± -		SHEET 2 OF 2			
ANGLES ± -		REV 3			
FINISH					

PRELIMINARY

X-ON Electronics

Largest Supplier of Electrical and Electronic Components

Click to view similar products for [Pushbutton Switches](#) category:

Click to view products by [TE Connectivity](#) manufacturer:

Other Similar products are found below :

[8940K2012](#) [LW1L-M1C10V-A](#) [LW1L-M1C70-A](#) [LW2L-A1C20M-GD](#) [LW2L-M1C20M-A](#) [60324L](#) [M22-D-R-GB0/K11](#) [M7E-HRN2](#)
[67021K512](#) [67081K512X](#) [701PB580](#) [7199K101](#) [810K12910](#) [810KSV30B](#) [MML21EA2ADK](#) [MML21KA3ABK](#) [MML23KA3AC05K-001](#)
[MML23KW3AA01W](#) [8418K2](#) [8442K3](#) [8450K1](#) [860K11911T01A](#) [861901](#) [861K11911T01A07](#) [861K13810T00A14](#) [861K13911](#)
[8646AB6X718UL](#) [8646ABUL](#) [9001KXRK](#) [907AYY100](#) [PMHD155A1](#) [9533CD4+U574+U4922](#) [95-414.000](#) [99-450.837](#) [99-453.837](#)
[PV3H2B0NN-341](#) [1203MRA](#) [A22NZBGANGA](#) [A22NZBNANGA](#) [A22NZMPATRA](#) [A2PMA1X03EC56](#) [A3A-5123-02](#) [A3A-7140](#) [A3A-7310](#) [A3A-7340](#) [A3U-TMW-A2C-5M](#) [A595](#) [12037A2ULCSA](#) [ABD122N-B](#) [1211390004](#)