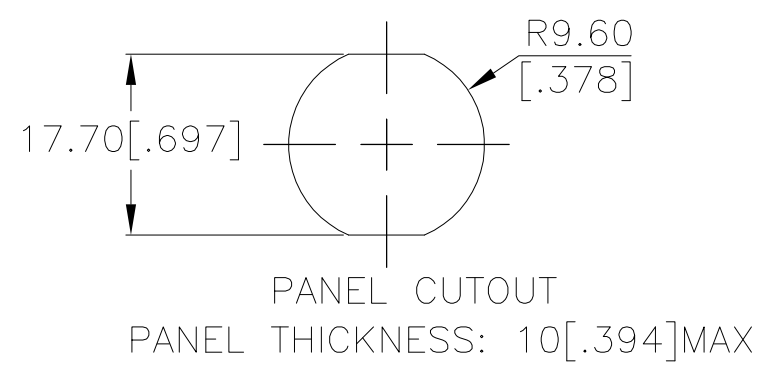
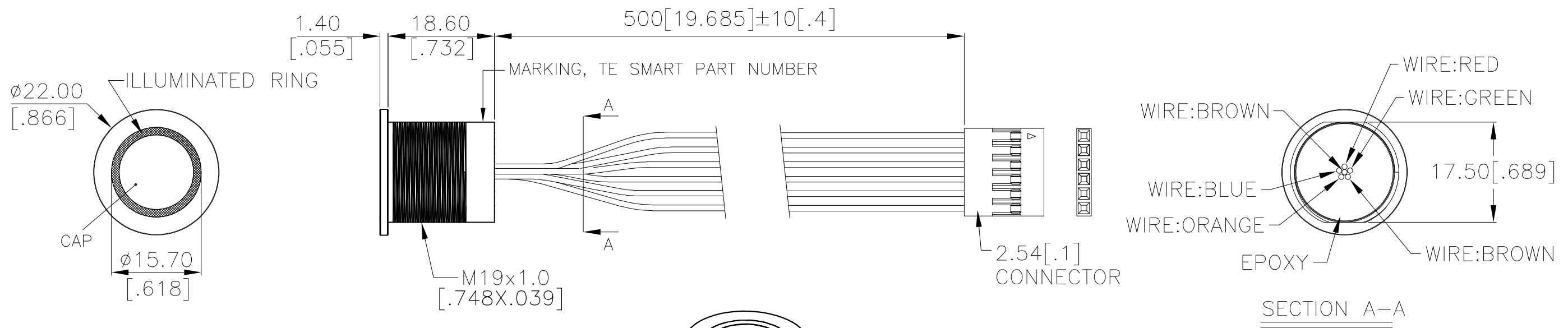
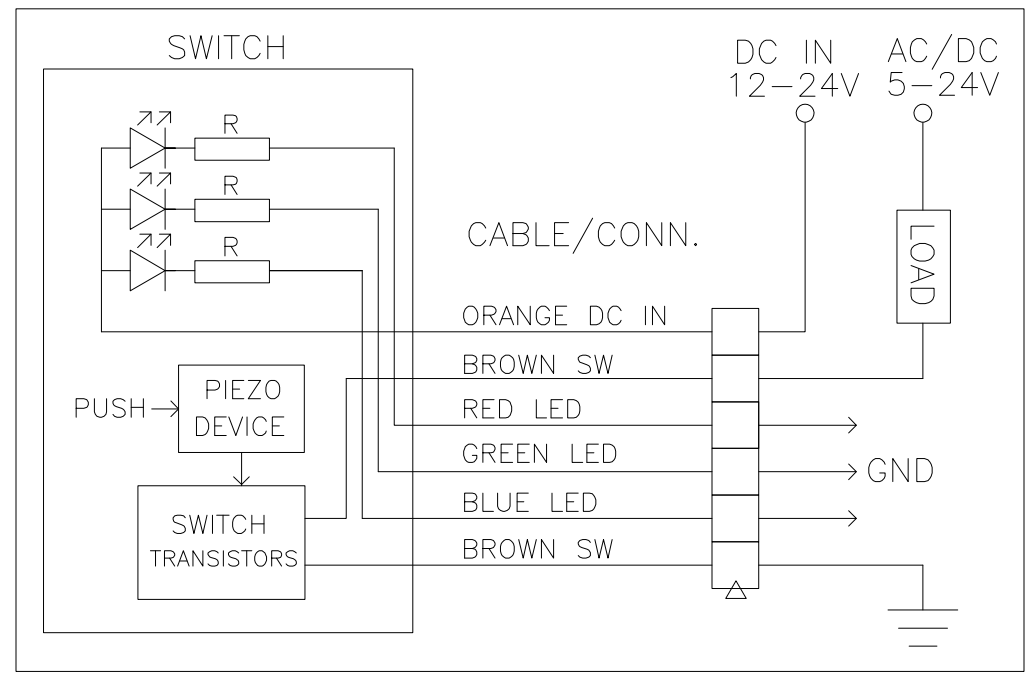
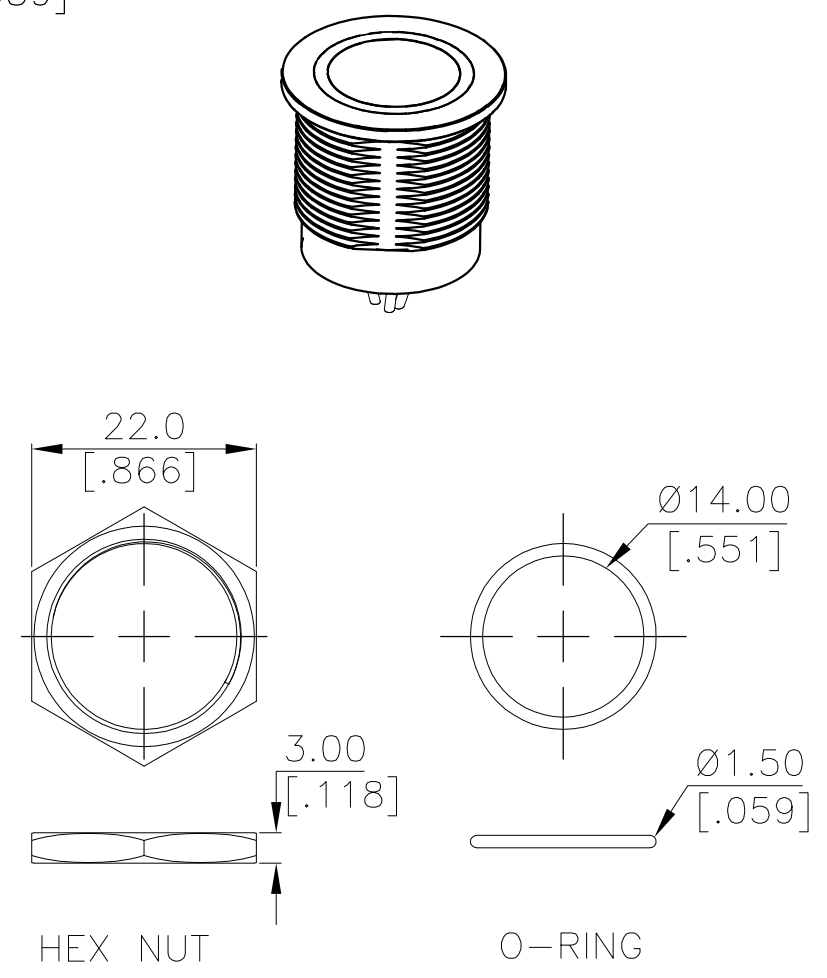


THIS DRAWING IS UNPUBLISHED. RELEASED FOR PUBLICATION  
 © COPYRIGHT - TE Connectivity Ltd. ALL RIGHTS RESERVED.

REVISIONS					
P	LTR	DESCRIPTION	DATE	DWN	APVD
3		DRAWING UPDATED	20DEC2018	RSM	AS



INDICATOR			
SWITCH	LED		
	RED	GREEN	BLUE
OFF	CUSTOMER DEFINED		
ON	CUSTOMER DEFINED		



APPLICATION DIAGRAM

**PRELIMINARY**

THIS DRAWING IS A CONTROLLED DOCUMENT.		DWN GANESH C M 29SEP2018	TE Connectivity Ltd.				
DIMENSIONS: mm [INCHES]		CHK ALEXANDER SHARPE 29SEP2018					
TOLERANCES UNLESS OTHERWISE SPECIFIED:		APVD ALEXANDER SHARPE 29SEP2018	NAME				
0 PLC ± - 1 PLC ± 0.4 [0.016] 2 PLC ± 0.25 [0.010] 3 PLC ± - 4 PLC ± - ANGLES ± -		PRODUCT SPEC	SWITCH, AV, PIEZO, 19mm, FL BTN, ILLUM RING, LED, LEADED W/ 1x6 REC				
MATERIAL		FINISH	APPLICATION SPEC	SIZE	CAGE CODE	DRAWING NO	RESTRICTED TO
-		-	-	A3	00779	C=2342839	-
CUSTOMER DRAWING			WEIGHT	SCALE	SHEET	REV	
				NTS	1 OF 2	3	

THIS DRAWING IS UNPUBLISHED. RELEASED FOR PUBLICATION  
 © COPYRIGHT - TE Connectivity Ltd. ALL RIGHTS RESERVED.

REVISIONS					
P	LTR	DESCRIPTION	DATE	DWN	APVD
	-	SEE SHEET 1	-	-	-


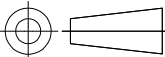
NOTES:

1. SPECIFICATIONS:
  1. OPERATING LIFE: 50 MILLION CYCLES MIN.
  2. ACTUATION FORCE: 2 N - 5 N [0.45 LBF - 1.12 LBF]
  3. RATING: 5-24 VDC@1A MAX., 5-24 VAC@1A MAX.
  4. CONTACT RESISTANCE: 1Ω MAX.
  5. LED: 12-24 VDC
  6. TYPE: MOMENTARY PULSE, 200mS MIN.
  7. OUTPUT MODE: TRANSISTOR
  8. OPERATING TEMPERATURE: -20° TO 65°C [-4° TO 149°F]
  9. STORAGE TEMPERATURE: -40° TO 85°C [-40° TO 185°F]
  10. INGRESS PROTECTION: IP68, PANEL SIDE
  11. MOUNTING TORQUE: 2.5Nm MAXIMUM
2. MATERIAL:
  1. SEALING: SILICONE, EPOXY
  2. O-RING: SILICONE
  3. HEX NUT: NICKEL PLATED BRASS
  4. WIRE: UL3385, UL10368 OR EQUIVALENT
  5. BUSHING: SEE TABLE
  6. CAP: SEE TABLE
3. PACKAGING:
 

SWITCH ASSEMBLIES ARE INDIVIDUALLY BUNDLED WITH ESD PROTECTION.  
 HARDWARE IS NOT ASSEMBLED TO THE SWITCH.
4. COMPLIANCE:
 

THE CURRENT STATEMENT OF COMPLIANCE IS AVAILABLE AT TE.COM.
5. HARDWARE IS SHIPPED UNASSEMBLED.

PC; STAINLESS STEEL	STAINLESS STEEL 316	RGB	MOMENTARY	AVP19MS16FE0DT5A04	2342839-4
PC; STAINLESS STEEL	STAINLESS STEEL 304	RGB	MOMENTARY	AVP19MS04FE0DT5A04	2342839-3
PC; ALUMINUM, BLACK ANODIZED	ALUMINUM, BLACK ANODIZED	RGB	MOMENTARY	AVP19MAIBFE0DT5A04	2342839-2
PC; ALUMINUM	ALUMINUM	RGB	MOMENTARY	AVP19MAIOFE0DT5A04	2342839-1
CAP MATERIAL	BUSHING MATERIAL	LED COLOR	CONTACT CONFIGURATION	TE SMART PART NUMBER	PART NUMBER

THIS DRAWING IS A CONTROLLED DOCUMENT.		DWN GANESH C M 29SEP2018	 TE Connectivity Ltd.			
DIMENSIONS: mm [INCHES]		CHK ALEXANDER SHARPE 29SEP2018				NAME
		APVD ALEXANDER SHARPE 29SEP2018	SWITCH,AV,PIEZO,19mm,FL BTN, ILLUM RING,LED,LEADED W/ 1x6 REC			
TOLERANCES UNLESS OTHERWISE SPECIFIED: 0 PLC ± - 1 PLC ± 0.4[.016] 2 PLC ± 0.25[.010] 3 PLC ± - 4 PLC ± - ANGLES ± -		PRODUCT SPEC -	APPLICATION SPEC			
MATERIAL		FINISH	SIZE	CAGE CODE	DRAWING NO	RESTRICTED TO
-		-	A3	00779	C-2342839	-
CUSTOMER DRAWING			SCALE	SHEET	REV	
			NTS	2 OF 2	3	

**PRELIMINARY**

## X-ON Electronics

Largest Supplier of Electrical and Electronic Components

*Click to view similar products for [Pushbutton Switches](#) category:*

*Click to view products by [TE Connectivity](#) manufacturer:*

Other Similar products are found below :

[8940K2012](#) [LW1L-M1C10V-A](#) [LW1L-M1C70-A](#) [LW2L-A1C20M-GD](#) [LW2L-M1C20M-A](#) [60324L](#) [M22-D-R-GB0/K11](#) [M7E-HRN2](#)  
[67021K512](#) [67081K512X](#) [701PB580](#) [7199K101](#) [810K12910](#) [810KSV30B](#) [MML21EA2ADK](#) [MML21KA3ABK](#) [MML23KA3AC05K-001](#)  
[MML23KW3AA01W](#) [8418K2](#) [8442K2](#) [8442K3](#) [8450K1](#) [860K11911T01A](#) [861901](#) [861K11911T01A07](#) [861K13810T00A14](#) [861K13911](#)  
[8646AB6X718UL](#) [8646ABUL](#) [9001KXRK](#) [907AYY100](#) [PMHD155A1](#) [9533CD4+U574+U4922](#) [95-414.000](#) [99-450.837](#) [99-453.837](#)  
[PV3H2B0NN-341](#) [1203MRA](#) [A22NZBGANGA](#) [A22NZBNANGA](#) [A22NZMPATRA](#) [A2PMA1X03EC56](#) [A3A-5123-02](#) [A3A-7140](#) [A3A-7310](#) [A3A-7340](#) [A3U-TMW-A2C-5M](#) [A595](#) [12037A2ULCSA](#) [ABD122N-B](#)