

THIS DRAWING IS UNPUBLISHED.

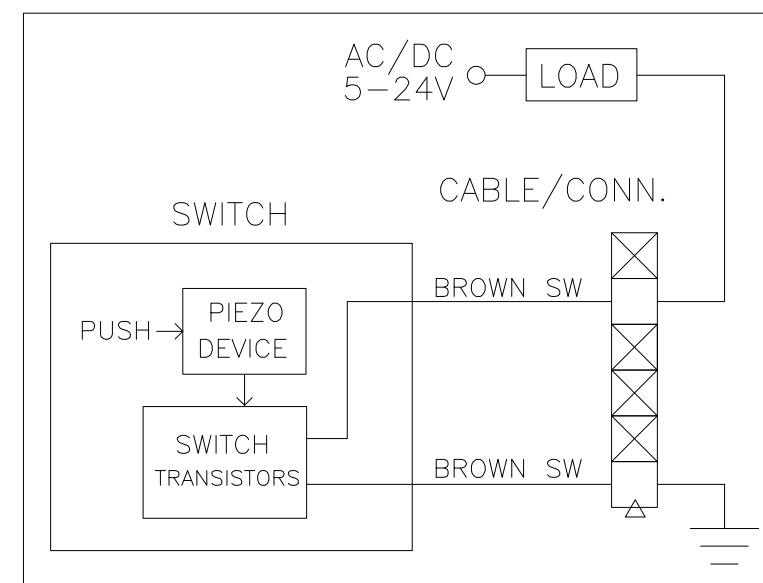
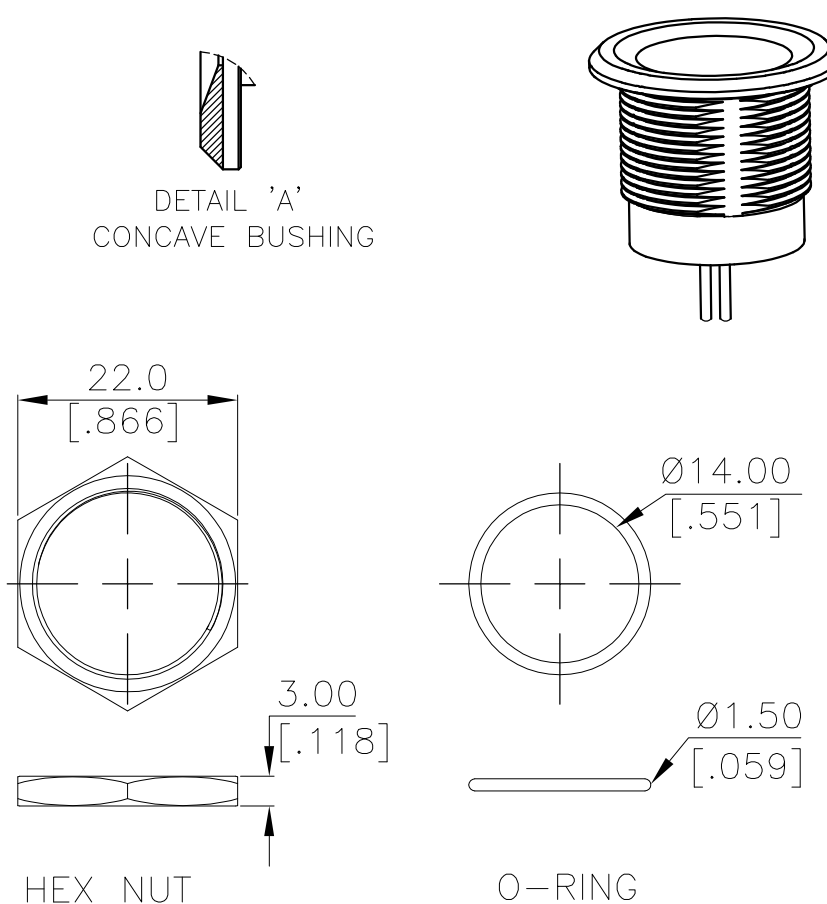
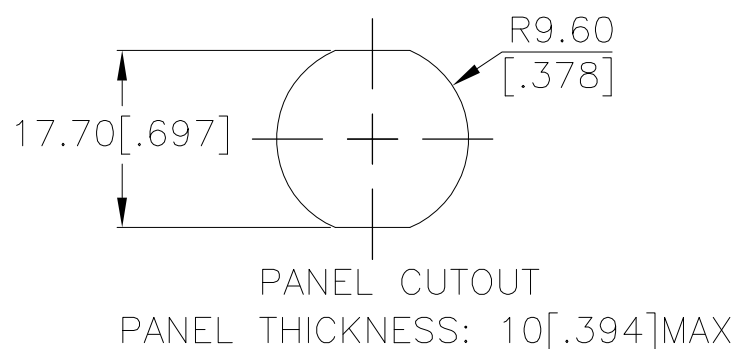
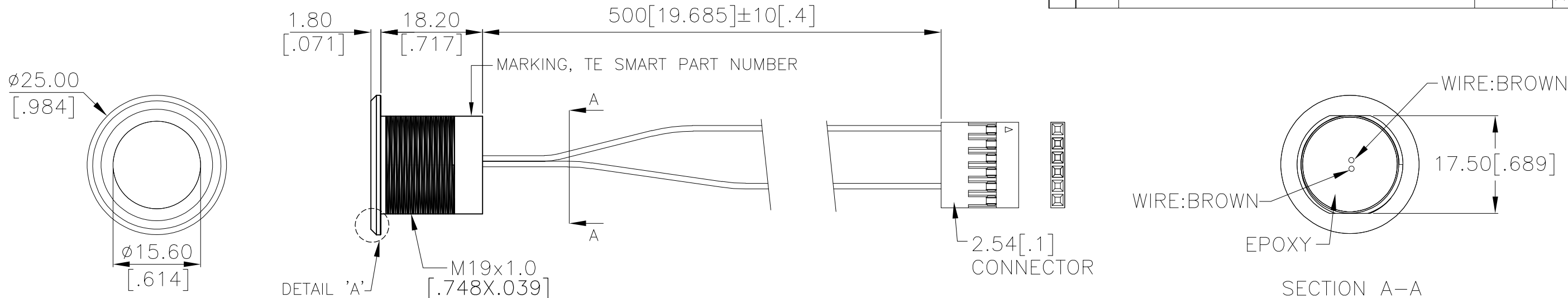
RELEASED FOR PUBLICATION

ALL RIGHTS RESERVED.

© COPYRIGHT - TE Connectivity Ltd.

REVISIONS

P	LTR	DESCRIPTION	DATE	DWN	APVD
3		DRAWING UPDATED	20DEC2018	RSM	AS



APPLICATION DIAGRAM

PRELIMINARY

THIS DRAWING IS A CONTROLLED DOCUMENT.		DWN GANESH C M 29SEP2018	TE Connectivity Ltd.		
DIMENSIONS: mm [INCHES]		CHK ALEXANDER SHARPE 29SEP2018			
TOLERANCES UNLESS OTHERWISE SPECIFIED:		APVD ALEXANDER SHARPE 29SEP2018	RESTRICTED TO		
0 PLC ± - 1 PLC ± 0.4[.016] 2 PLC ± 0.25[.010] 3 PLC ± - 4 PLC ± - ANGLES ± -		PRODUCT SPEC	SIZE	CAGE CODE	DRAWING NO
MATERIAL		APPLICATION SPEC	A3	00779	C=2342841
FINISH		WEIGHT	SCALE		SHEET
			NTS		1 OF 2
CUSTOMER DRAWING			REV		3

THIS DRAWING IS UNPUBLISHED.

RELEASED FOR PUBLICATION

REVISIONS

© NOTES: TE Connectivity Ltd.

ALL RIGHTS RESERVED.

P	LTR	DESCRIPTION	DATE	DWN	APVD
	-	SEE SHEET 1	-	-	-

NOTES:

1. SPECIFICATIONS:

- 1. OPERATING LIFE: 50 MILLION CYCLES MIN.
- 2. ACTUATION FORCE: 2 N – 5 N [0.45 LBF – 1.12 LBF]
- 3. RATING: 5–24 VDC@1A MAX., 5–24 VAC@1A MAX.
- 4. CONTACT RESISTANCE: 1Ω MAX.
- 5. TYPE: MOMENTARY PULSE, 200ms MIN.
- 6. OUTPUT MODE: TRANSISTOR
- 7. OPERATING TEMPERATURE: -20° TO 65°C [-4° TO 149°F]
- 8. STORAGE TEMPERATURE: -40° TO 85°C [-40° TO 185°F]
- 9. INGRESS PROTECTION: IP68, PANEL SIDE
- 10. MOUNTING TORQUE: 2.5Nm MAXIMUM

2. MATERIAL:

- 1. SEALING: SILICONE, EPOXY
- 2. O-RING: SILICONE
- 3. HEX NUT: NICKEL PLATED BRASS
- 4. WIRE: UL3385, UL10368 OR EQUIVALENT
- 5. BUSHING: SEE TABLE

3. PACKAGING:


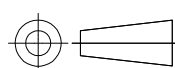
SWITCH ASSEMBLIES ARE INDIVIDUALLY BUNDLED WITH ESD PROTECTION. HARDWARE IS NOT ASSEMBLED TO THE SWITCH.

4. COMPLIANCE:

THE CURRENT STATEMENT OF COMPLIANCE IS AVAILABLE AT TE.COM.

5. HARDWARE IS SHIPPED UNASSEMBLED.

STAINLESS STEEL 316	NO LED	MOMENTARY	AVP19MS16C000T5A04	2342841-4
STAINLESS STEEL 304	NO LED	MOMENTARY	AVP19MS04C000T5A04	2342841-3
ALUMINUM, BLACK ANODIZED	NO LED	MOMENTARY	AVP19MAIBC000T5A04	2342841-2
ALUMINUM	NO LED	MOMENTARY	AVP19MAIOC000T5A04	2342841-1
BUSHING MATERIAL	LED COLOR	CONTACT CONFIGURATION	TE SMART PART NUMBER	PART NUMBER

THIS DRAWING IS A CONTROLLED DOCUMENT.		DWN GANESH C M 29SEP2018	 TE Connectivity Ltd.		
DIMENSIONS: mm [INCHES]		CHK ALEXANDER SHARPE 29SEP2018			
		APVD ALEXANDER SHARPE 29SEP2018	NAME SWITCH,AV,PIEZO,19mm,CONCAVE BTN, NO LED,LEADED W/ 1x6 REC		
TOLERANCES UNLESS OTHERWISE SPECIFIED:		PRODUCT SPEC	RESTRICTED TO		
0 PLC ± -		APPLICATION SPEC	SIZE	CAGE CODE	DRAWING NO
1 PLC ± 0.4[.016]		WEIGHT	A3	00779	C-2342841
2 PLC ± 0.25[.010]		CUSTOMER DRAWING			
3 PLC ± -		SCALE	NTS	SHEET	2 OF 2
4 PLC ± -		FINISH	REV 3		
ANGLES ± -					
MATERIAL -					

PRELIMINARY

X-ON Electronics

Largest Supplier of Electrical and Electronic Components

Click to view similar products for [Pushbutton Switches](#) category:

Click to view products by [TE Connectivity](#) manufacturer:

Other Similar products are found below :

[8940K2012](#) [LW1L-M1C10V-A](#) [LW1L-M1C70-A](#) [LW2L-A1C20M-GD](#) [LW2L-M1C20M-A](#) [60324L](#) [M22-D-R-GB0/K11](#) [M7E-HRN2](#)
[67021K512](#) [67081K512X](#) [701PB580](#) [7199K101](#) [810K12910](#) [810KSV30B](#) [MML21EA2ADK](#) [MML21KA3ABK](#) [MML23KA3AC05K-001](#)
[MML23KW3AA01W](#) [8418K2](#) [8442K2](#) [8442K3](#) [8450K1](#) [860K11911T01A](#) [861901](#) [861K11911T01A07](#) [861K13810T00A14](#) [861K13911](#)
[8646AB6X718UL](#) [8646ABUL](#) [9001KXRK](#) [907AYY100](#) [PMHD155A1](#) [9533CD4+U574+U4922](#) [95-414.000](#) [99-450.837](#) [99-453.837](#)
[PV3H2B0NN-341](#) [1203MRA](#) [A22NZBGANGA](#) [A22NZBNANGA](#) [A22NZMPATRA](#) [A2PMA1X03EC56](#) [A3A-5123-02](#) [A3A-7140](#) [A3A-7310](#) [A3A-7340](#) [A3U-TMW-A2C-5M](#) [A595](#) [12037A2ULCSA](#) [ABD122N-B](#)