

THIS DRAWING IS UNPUBLISHED.

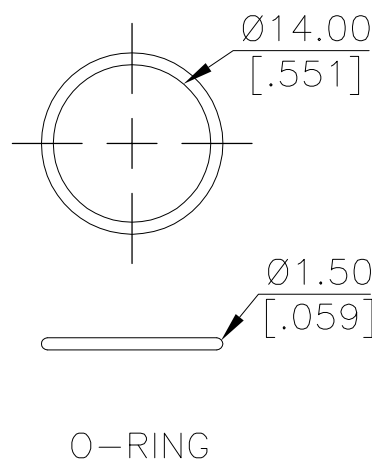
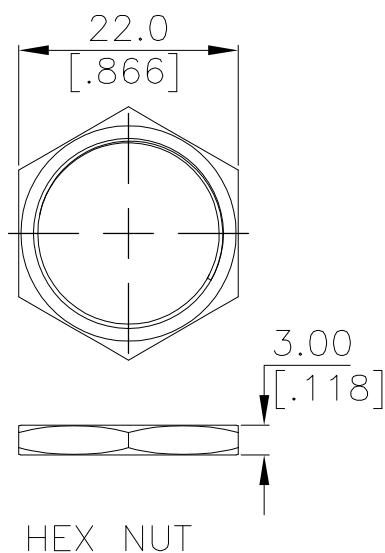
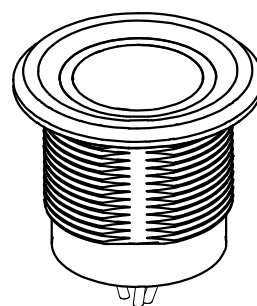
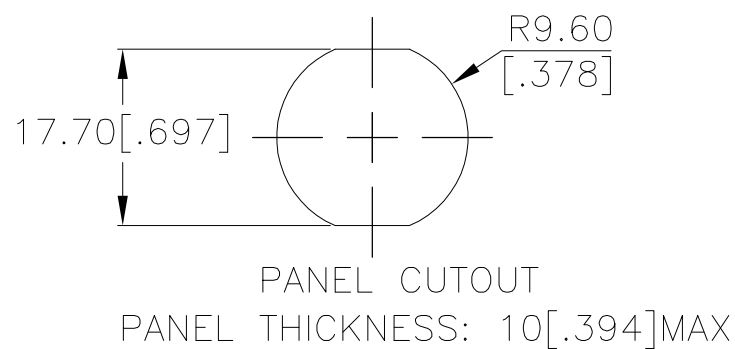
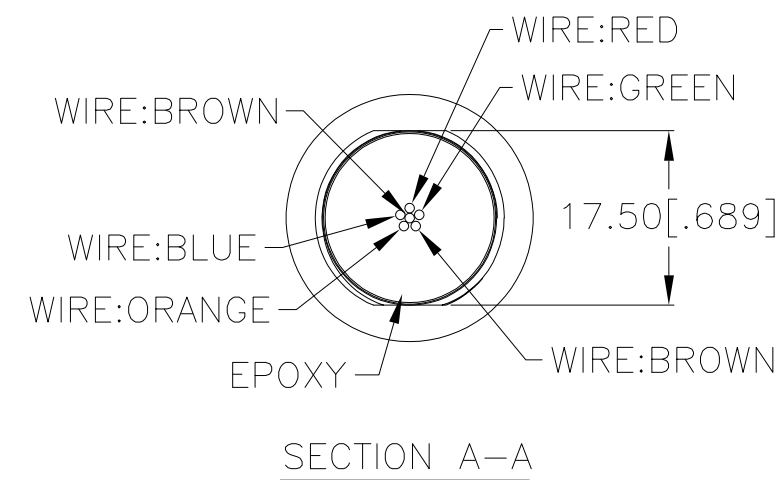
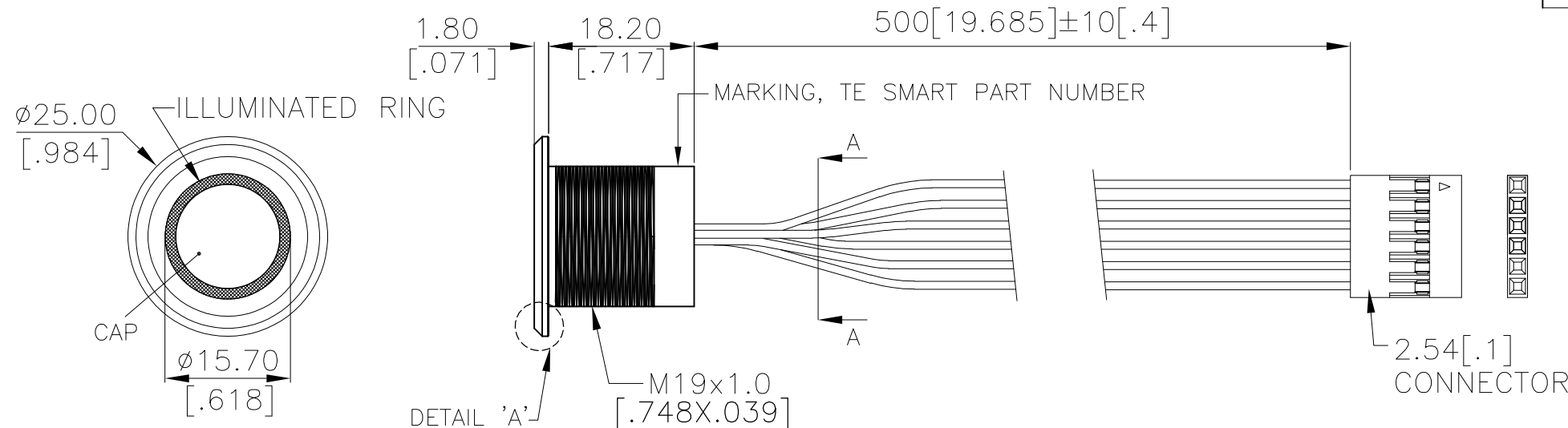
RELEASED FOR PUBLICATION

© COPYRIGHT - TE Connectivity Ltd.

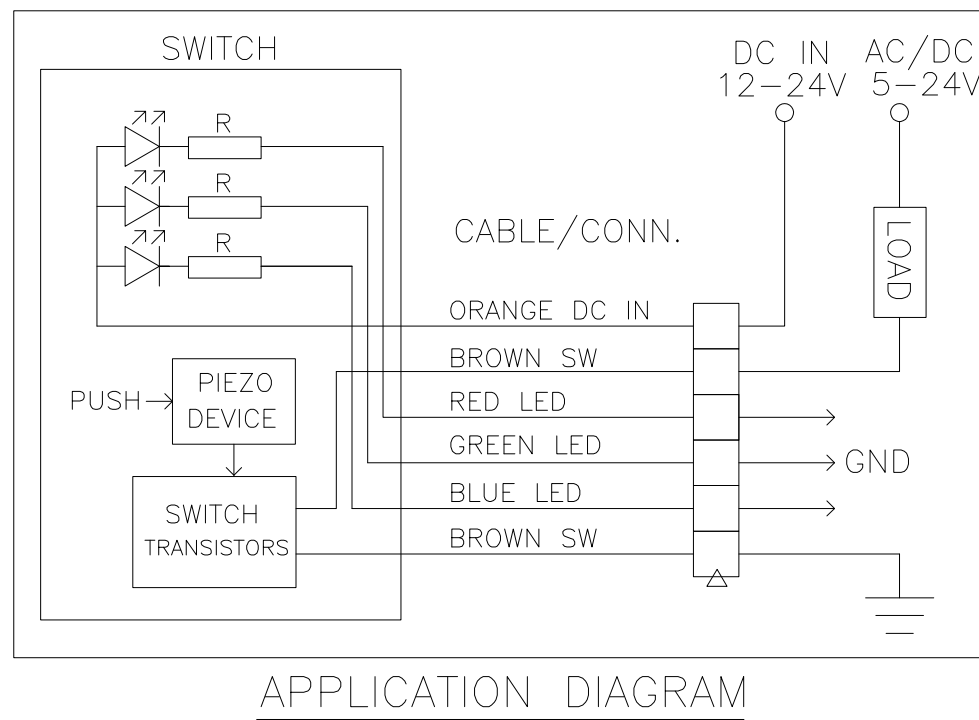
ALL RIGHTS RESERVED.

REVISIONS

| P | LTR | DESCRIPTION | DATE | DWN | APVD |
|---|-----|-----------------|-----------|-----|------|
| 3 | | DRAWING UPDATED | 20DEC2018 | RSM | AS |



| INDICATOR | | | |
|-----------|------------------|-------|------|
| SWITCH | LED | | |
| | RED | GREEN | BLUE |
| OFF | CUSTOMER DEFINED | | |
| ON | CUSTOMER DEFINED | | |



PRELIMINARY

| | | | | | | | | | | | | | | | | | | |
|---|--------------|---------------------------------------|---|-------|-----------------|----------|--------------|-------|-----|-------|-----|--------|-----|-------------------|------------|--------------------|-------------------------|--------------------|
| THIS DRAWING IS A CONTROLLED DOCUMENT. | | DWN GANESH C M 29SEP2018 | TE Connectivity Ltd. | | | | | | | | | | | | | | | |
| DIMENSIONS: mm [INCHES] | | CHK ALEXANDER SHARPE 29SEP2018 | | | | | | | | | | | | | | | | |
| TOLERANCES UNLESS OTHERWISE SPECIFIED: | | APVD ALEXANDER SHARPE 29SEP2018 | NAME SWITCH,AV,PIEZO,19mm,CONCAVE BTN, ILLUM RING,LED,LEADED W/ 1x6 REC | | | | | | | | | | | | | | | |
| <table border="1"> <tr><td>0 PLC</td><td>± -</td></tr> <tr><td>1 PLC</td><td>± 0.4[.016]</td></tr> <tr><td>2 PLC</td><td>± 0.25[.010]</td></tr> <tr><td>3 PLC</td><td>± -</td></tr> <tr><td>4 PLC</td><td>± -</td></tr> <tr><td>ANGLES</td><td>± -</td></tr> </table> | | 0 PLC | ± - | 1 PLC | ± 0.4[.016] | 2 PLC | ± 0.25[.010] | 3 PLC | ± - | 4 PLC | ± - | ANGLES | ± - | PRODUCT SPEC - | SIZE A3 | CAGE CODE 00779 | DRAWING NO C-2342840 | RESTRICTED TO - |
| 0 PLC | ± - | | | | | | | | | | | | | | | | | |
| 1 PLC | ± 0.4[.016] | | | | | | | | | | | | | | | | | |
| 2 PLC | ± 0.25[.010] | | | | | | | | | | | | | | | | | |
| 3 PLC | ± - | | | | | | | | | | | | | | | | | |
| 4 PLC | ± - | | | | | | | | | | | | | | | | | |
| ANGLES | ± - | | | | | | | | | | | | | | | | | |
| MATERIAL - | | FINISH - | SCALE NTS | | SHEET 1 of 2 | REV 3 | | | | | | | | | | | | |
| CUSTOMER DRAWING | | | | | | | | | | | | | | | | | | |


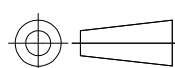
THIS DRAWING IS UNPUBLISHED. RELEASED FOR PUBLICATION
 © COPYRIGHT - TE Connectivity Ltd. ALL RIGHTS RESERVED.

| REVISIONS | | | | | |
|-----------|-----|-------------|------|-----|------|
| P | LTR | DESCRIPTION | DATE | DWN | APVD |
| | - | SEE SHEET 1 | - | - | - |

NOTES:

1. SPECIFICATIONS:
 1. OPERATING LIFE: 50 MILLION CYCLES MIN.
 2. ACTUATION FORCE: 2 N - 5 N [0.45 LBF - 1.12 LBF]
 3. RATING: 5-24 VDC@1A MAX., 5-24 VAC@1A MAX.
 4. CONTACT RESISTANCE: 1Ω MAX.
 5. LED: 12-24 VDC
 6. TYPE: MOMENTARY PULSE, 200mS MIN.
 7. OUTPUT MODE: TRANSISTOR
 8. OPERATING TEMPERATURE: -20° TO 65°C [-4° TO 149°F]
 9. STORAGE TEMPERATURE: -40° TO 85°C [-40° TO 185°F]
 10. INGRESS PROTECTION: IP68, PANEL SIDE
 11. MOUNTING TORQUE: 2.5Nm MAXIMUM
2. MATERIAL:
 1. SEALING: SILICONE, EPOXY
 2. O-RING: SILICONE
 3. HEX NUT: NICKEL PLATED BRASS
 4. WIRE: UL3385, UL10368 OR EQUIVALENT
 5. BUSHING: SEE TABLE
 6. CAP: SEE TABLE
3. PACKAGING:
SWITCH ASSEMBLIES ARE INDIVIDUALLY BUNDLED WITH ESD PROTECTION.
HARDWARE IS NOT ASSEMBLED TO THE SWITCH.
4. COMPLIANCE:
THE CURRENT STATEMENT OF COMPLIANCE IS AVAILABLE AT TE.COM.
5. HARDWARE IS SHIPPED UNASSEMBLED.

| | | | | | |
|---------------------------------|-----------------------------|--------------|--------------------------|-------------------------|-------------|
| PC; STAINLESS STEEL | STAINLESS STEEL 316 | RGB | MOMENTARY | AVP19MS16CE0DT5A04 | 2342840-4 |
| PC; STAINLESS STEEL | STAINLESS STEEL 304 | RGB | MOMENTARY | AVP19MS04CE0DT5A04 | 2342840-3 |
| PC; ALUMINUM, BLACK ANODIZED | ALUMINUM, BLACK ANODIZED | RGB | MOMENTARY | AVP19MAIBCE0DT5A04 | 2342840-2 |
| PC; ALUMINUM | ALUMINUM | RGB | MOMENTARY | AVP19MAIOCE0DT5A04 | 2342840-1 |
| CAP MATERIAL | BUSHING MATERIAL | LED COLOR | CONTACT CONFIGURATION | TE SMART PART NUMBER | PART NUMBER |

| | | | | | |
|---|--|---------------------------------------|--|-------------------------|--------------------|
| THIS DRAWING IS A CONTROLLED DOCUMENT. | | DWN GANESH C M 29SEP2018 |  TE Connectivity Ltd. | | |
| DIMENSIONS: mm [INCHES] | | CHK ALEXANDER SHARPE 29SEP2018 | | | |
|  | | APVD ALEXANDER SHARPE 29SEP2018 | PRODUCT SPEC - | | |
| TOLERANCES UNLESS OTHERWISE SPECIFIED: | | APPLICATION SPEC - | SIZE A3 | | |
| 0 PLC ± - | | WEIGHT | CAGE CODE 00779 | DRAWING NO C-2342840 | RESTRICTED TO - |
| 1 PLC ± 0.4[.016] | | CUSTOMER DRAWING | | | |
| 2 PLC ± 0.25[.010] | | SCALE NTS | | | |
| 3 PLC ± - | | SHEET 2 OF 2 | | | |
| 4 PLC ± - | | REV 3 | | | |
| ANGLES ± - | | | | | |
| FINISH - | | | | | |

PRELIMINARY

X-ON Electronics

Largest Supplier of Electrical and Electronic Components

Click to view similar products for [Pushbutton Switches](#) category:

Click to view products by [TE Connectivity](#) manufacturer:

Other Similar products are found below :

[8940K2012](#) [LW1L-M1C10V-A](#) [LW1L-M1C70-A](#) [LW2L-A1C20M-GD](#) [LW2L-M1C20M-A](#) [60324L](#) [M22-D-R-GB0/K11](#) [M7E-HRN2](#)
[67021K512](#) [67081K512X](#) [701PB580](#) [7199K101](#) [810K12910](#) [810KSV30B](#) [MML21EA2ADK](#) [MML21KA3ABK](#) [MML23KA3AC05K-001](#)
[MML23KW3AA01W](#) [8418K2](#) [8442K3](#) [8450K1](#) [860K11911T01A](#) [861901](#) [861K11911T01A07](#) [861K13810T00A14](#) [861K13911](#)
[8646AB6X718UL](#) [8646ABUL](#) [9001KXRK](#) [907AYY100](#) [PMHD155A1](#) [9533CD4+U574+U4922](#) [95-414.000](#) [99-450.837](#) [99-453.837](#)
[PV3H2B0NN-341](#) [1203MRA](#) [A22NZBGANGA](#) [A22NZBNANGA](#) [A22NZMPATRA](#) [A2PMA1X03EC56](#) [A3A-5123-02](#) [A3A-7140](#) [A3A-7310](#) [A3A-7340](#) [A3U-TMW-A2C-5M](#) [A595](#) [12037A2ULCSA](#) [ABD122N-B](#) [1211390004](#)