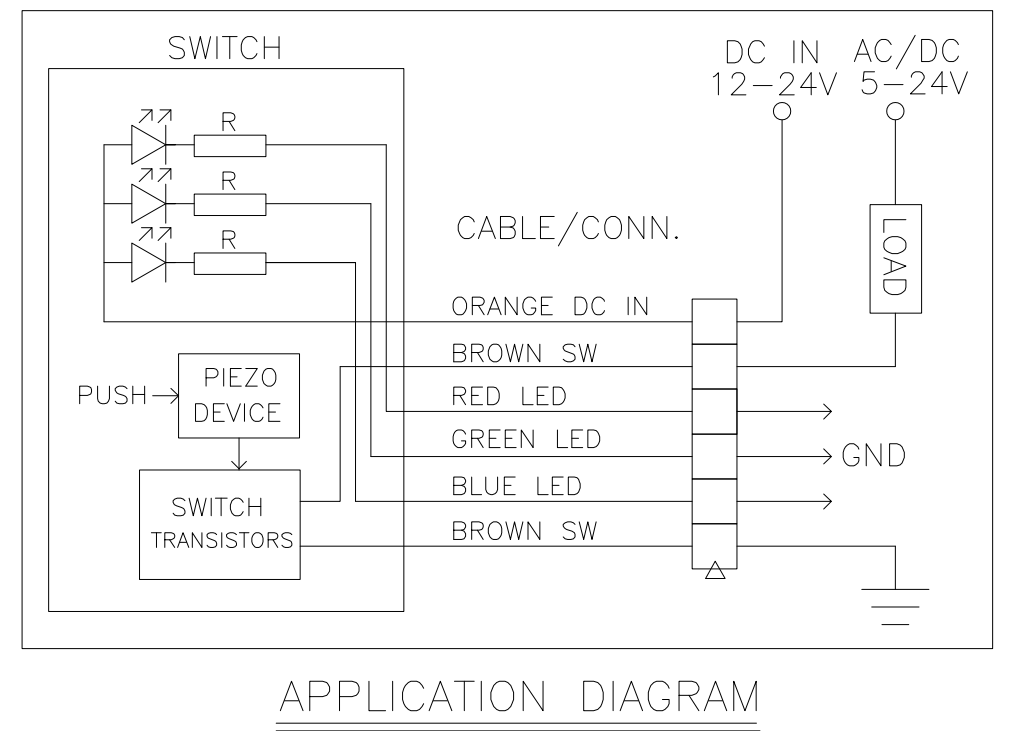
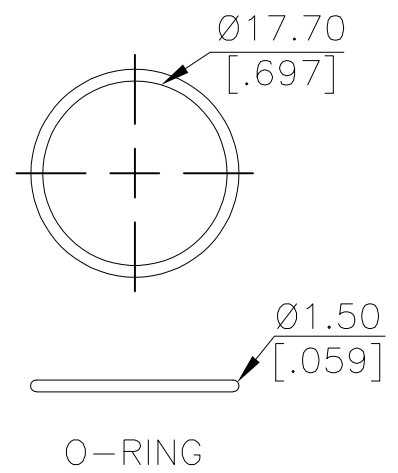
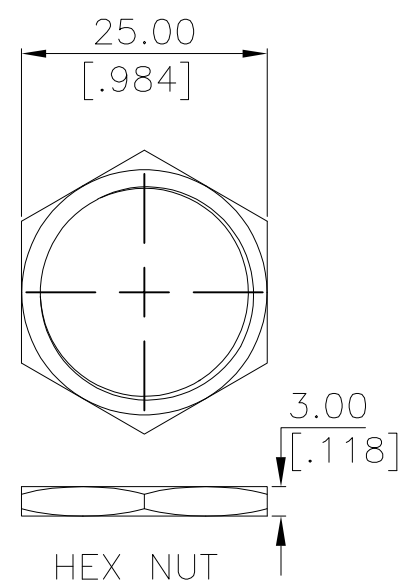
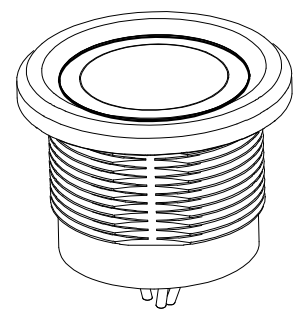
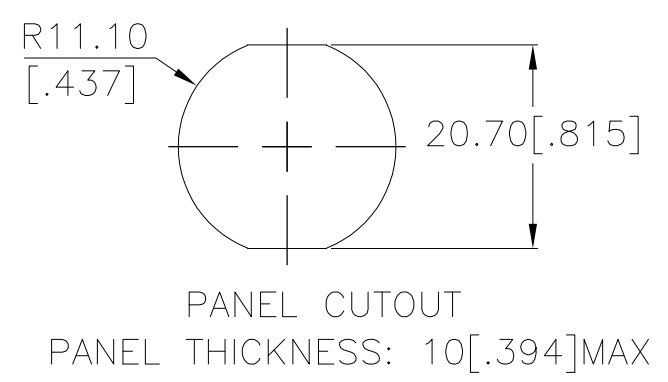
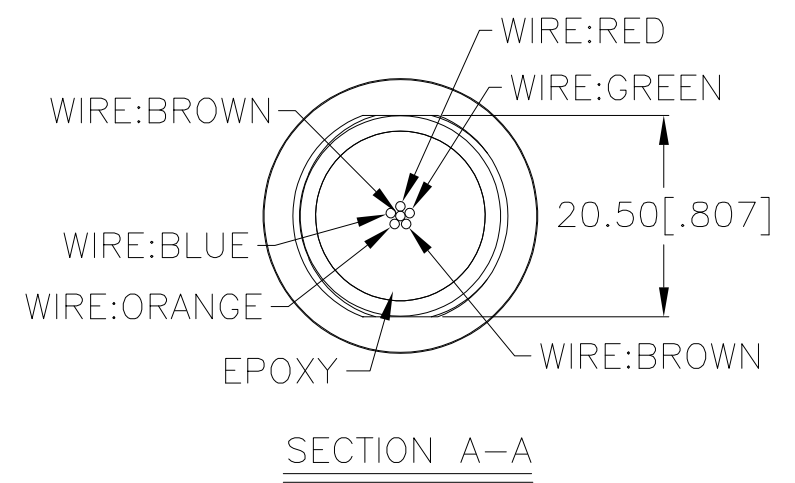
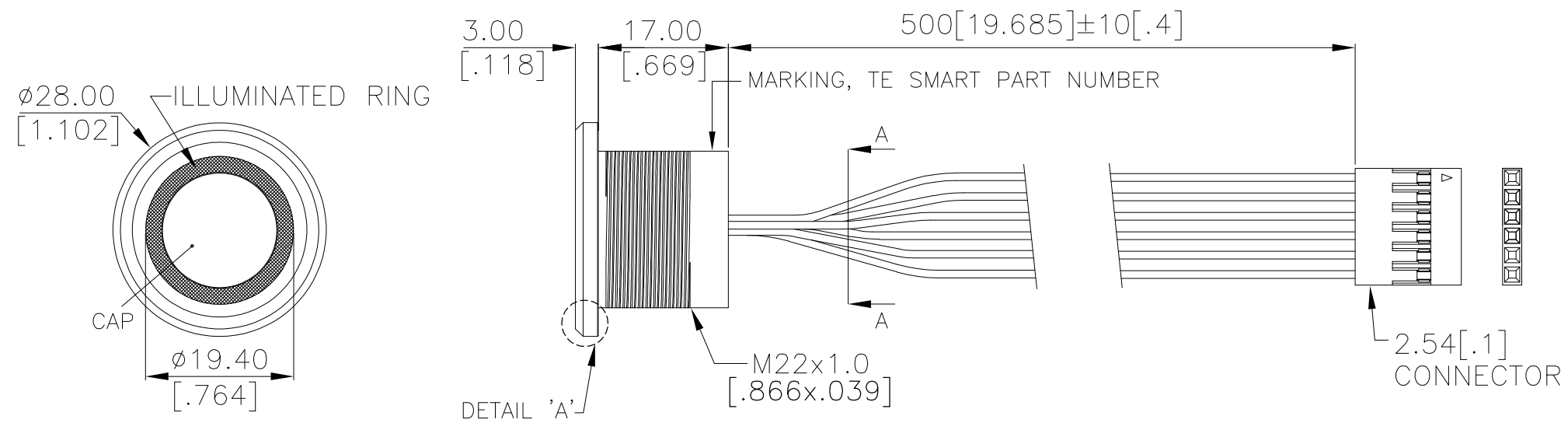


THIS DRAWING IS UNPUBLISHED. RELEASED FOR PUBLICATION
 © COPYRIGHT - TE Connectivity Ltd. ALL RIGHTS RESERVED.

P	LTR	DESCRIPTION	DATE	DWN	APVD
	3	DRAWING UPDATED	20DEC2018	RSM	AS



INDICATOR			
SWITCH	LED		
	RED	GREEN	BLUE
OFF	CUSTOMER DEFINED		
ON	CUSTOMER DEFINED		

PRELIMINARY

THIS DRAWING IS A CONTROLLED DOCUMENT.		DWN GANESH C M 29SEP2018		TE Connectivity Ltd.															
DIMENSIONS: mm [INCHES]		TOLERANCES UNLESS OTHERWISE SPECIFIED:																	
<table border="1"> <tr><td>0 PLC</td><td>± -</td></tr> <tr><td>1 PLC</td><td>± 0.4 [.016]</td></tr> <tr><td>2 PLC</td><td>± 0.25 [.010]</td></tr> <tr><td>3 PLC</td><td>± -</td></tr> <tr><td>4 PLC</td><td>± -</td></tr> <tr><td>ANGLES</td><td>± -</td></tr> </table>		0 PLC	± -	1 PLC	± 0.4 [.016]	2 PLC	± 0.25 [.010]	3 PLC	± -	4 PLC	± -	ANGLES	± -	<table border="1"> <tr><td>FINISH</td><td>-</td></tr> </table>		FINISH	-	NAME: SWITCH,AV,PIEZO,22mm,CONCAVE BTN, ILLUM RING,LED,LEADED W/ 1x6 REC	
0 PLC	± -																		
1 PLC	± 0.4 [.016]																		
2 PLC	± 0.25 [.010]																		
3 PLC	± -																		
4 PLC	± -																		
ANGLES	± -																		
FINISH	-																		
MATERIAL: -		FINISH: -		SIZE: A3 CAGE CODE: 00779 DRAWING NO: C-2342843 RESTRICTED TO: -															
CUSTOMER DRAWING				SCALE: NTS	SHEET: 1 OF 2														
				REV: 3															

THIS DRAWING IS UNPUBLISHED. RELEASED FOR PUBLICATION
 © COPYRIGHT - TE Connectivity Ltd. ALL RIGHTS RESERVED.

REVISIONS					
P	LTR	DESCRIPTION	DATE	DWN	APVD
-	-	SEE SHEET 1	-	-	-


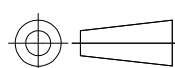
NOTES:

- SPECIFICATIONS:
 - OPERATING LIFE: 50 MILLION CYCLES MIN.
 - ACTUATION FORCE: 2 N - 5 N [0.45 LBF - 1.12 LBF]
 - RATING: 5-24 VDC@1A MAX., 5-24 VAC@1A MAX.
 - CONTACT RESISTANCE: 1Ω MAX.
 - LED: 12-24 VDC
 - TYPE: MOMENTARY PULSE, 200ms MIN.
 - OUTPUT MODE: TRANSISTOR
 - OPERATING TEMPERATURE: -20° TO 65°C [-4° TO 149°F]
 - STORAGE TEMPERATURE: -40° TO 85°C [-40° TO 185°F]
 - INGRESS PROTECTION: IP68, PANEL SIDE
 - MOUNTING TORQUE: 2.5Nm MAXIMUM
- MATERIAL:
 - SEALING: SILICONE, EPOXY
 - O-RING: SILICONE
 - HEX NUT: NICKEL PLATED BRASS
 - WIRE: UL3385, UL10368 OR EQUIVALENT
 - BUSHING: SEE TABLE
 - CAP: SEE TABLE
- PACKAGING:

SWITCH ASSEMBLIES ARE INDIVIDUALLY BUNDLED WITH ESD PROTECTION.
 HARDWARE IS NOT ASSEMBLED TO THE SWITCH.
- COMPLIANCE:

THE CURRENT STATEMENT OF COMPLIANCE IS AVAILABLE AT TE.COM.
- HARDWARE IS SHIPPED UNASSEMBLED.

PC; STAINLESS STEEL	STAINLESS STEEL 316	RGB	MOMENTARY	AVP22MS16CE0DT5A04	2342843-4
PC; STAINLESS STEEL	STAINLESS STEEL 304	RGB	MOMENTARY	AVP22MS04CE0DT5A04	2342843-3
PC; ALUMINUM, BLACK ANODIZED	ALUMINUM, BLACK ANODIZED	RGB	MOMENTARY	AVP22MAIBCE0DT5A04	2342843-2
PC; ALUMINUM	ALUMINUM	RGB	MOMENTARY	AVP22MAIOCE0DT5A04	2342843-1
CAP MATERIAL	BUSHING MATERIAL	LED COLOR	CONTACT CONFIGURATION	TE SMART PART NUMBER	PART NUMBER

THIS DRAWING IS A CONTROLLED DOCUMENT.		DWN GANESH C M 29SEP2018	 TE Connectivity Ltd.		
DIMENSIONS: mm [INCHES]		CHK ALEXANDER SHARPE 29SEP2018			
		APVD ALEXANDER SHARPE 29SEP2018	PRODUCT SPEC -		
TOLERANCES UNLESS OTHERWISE SPECIFIED:		APPLICATION SPEC -	RESTRICTED TO -		
0 PLC ± - 1 PLC ± 0.4[.016] 2 PLC ± 0.25[.010] 3 PLC ± - 4 PLC ± - ANGLES ± -		WEIGHT -	SIZE A3	CAGE CODE 00779	DRAWING NO C-2342843
MATERIAL -		FINISH -	CUSTOMER DRAWING		
			SCALE NTS	SHEET 2 OF 2	REV 3

PRELIMINARY

X-ON Electronics

Largest Supplier of Electrical and Electronic Components

Click to view similar products for [Pushbutton Switches](#) category:

Click to view products by [TE Connectivity](#) manufacturer:

Other Similar products are found below :

[8940K2012](#) [LW1L-M1C10V-A](#) [LW1L-M1C70-A](#) [LW2L-A1C20M-GD](#) [LW2L-M1C20M-A](#) [60324L](#) [M22-D-R-GB0/K11](#) [M7E-HRN2](#)
[67021K512](#) [67081K512X](#) [701PB580](#) [7199K101](#) [810K12910](#) [810KSV30B](#) [MML21EA2ADK](#) [MML21KA3ABK](#) [MML23KA3AC05K-001](#)
[MML23KW3AA01W](#) [8418K2](#) [8442K2](#) [8442K3](#) [8450K1](#) [860K11911T01A](#) [861901](#) [861K11911T01A07](#) [861K13810T00A14](#) [861K13911](#)
[8646AB6X718UL](#) [8646ABUL](#) [9001KXRK](#) [907AYY100](#) [PMHD155A1](#) [9533CD4+U574+U4922](#) [95-414.000](#) [99-450.837](#) [99-453.837](#)
[PV3H2B0NN-341](#) [1203MRA](#) [A22NZBGANGA](#) [A22NZBNANGA](#) [A22NZMPATRA](#) [A2PMA1X03EC56](#) [A3A-5123-02](#) [A3A-7140](#) [A3A-7310](#) [A3A-7340](#) [A3U-TMW-A2C-5M](#) [A595](#) [12037A2ULCSA](#) [ABD122N-B](#)