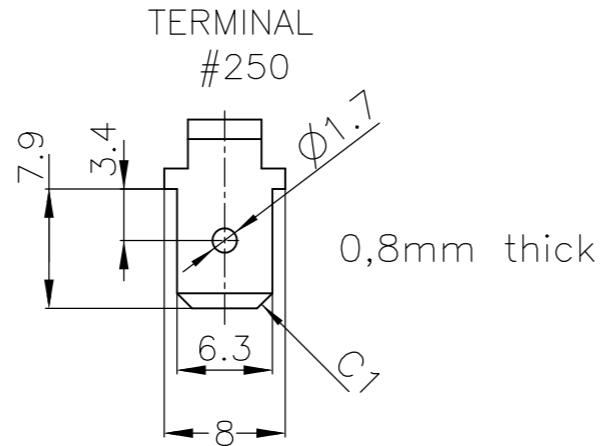
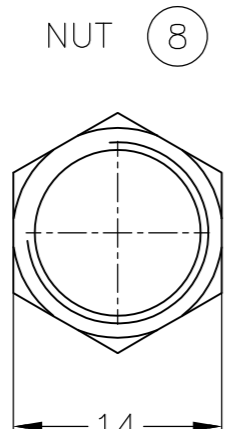
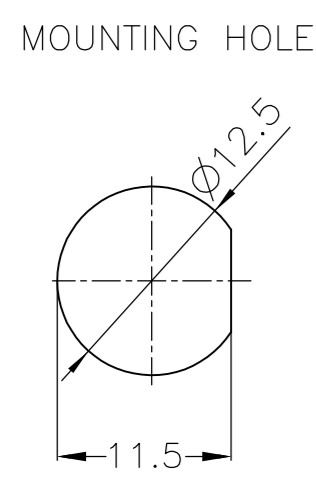
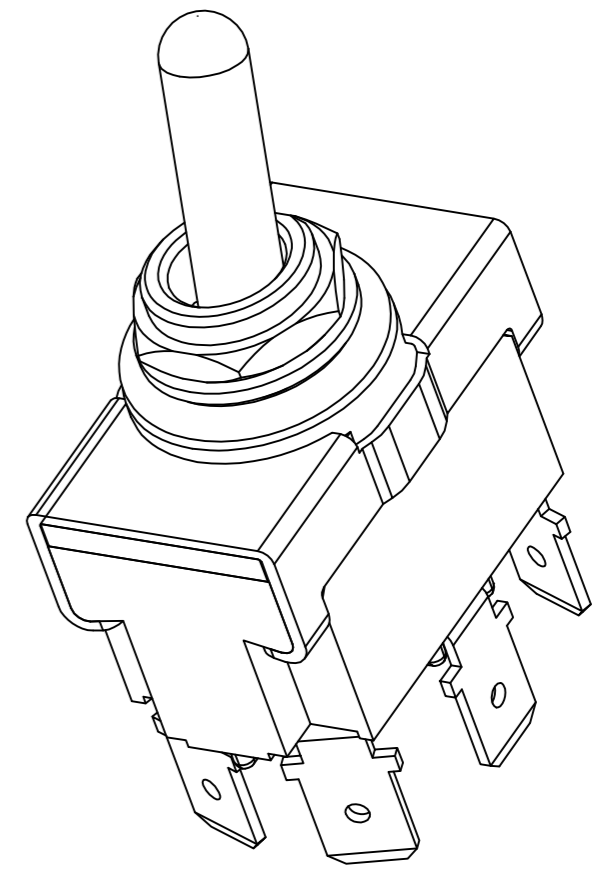
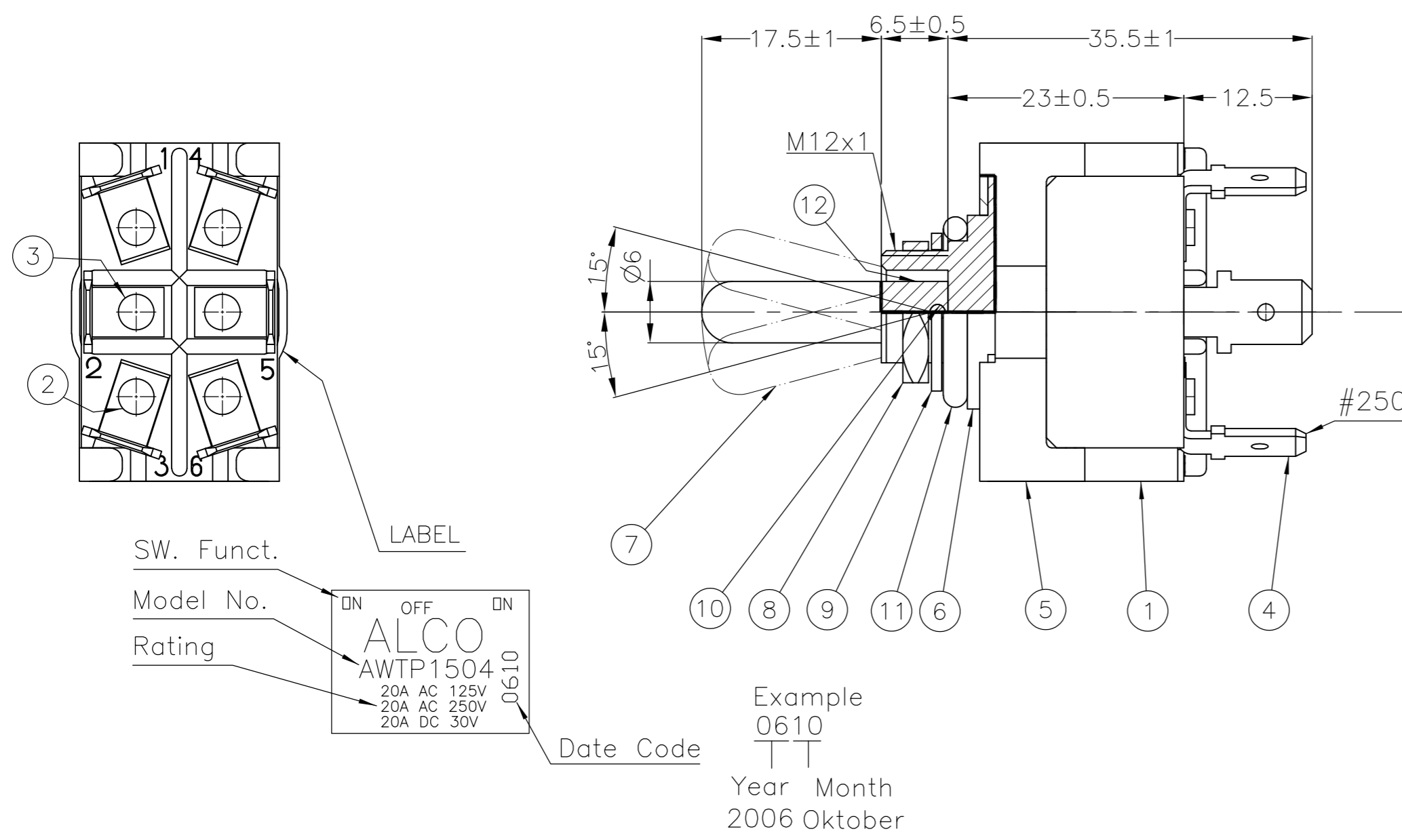


THIS DRAWING IS UNPUBLISHED. RELEASED FOR PUBLICATION
 © COPYRIGHT - BY - ALL RIGHTS RESERVED.

LOC		DIST		REVISIONS			
P	LTR	DESCRIPTION	DATE	DWN	APVD		
B2		REVISED PER ECO-13-015855	11OCT2013	KH	RH		



- 1 OPERATING TEMPERATURE -20°C to +70°C
- 2 OPERATING FORCE MAX 29,4N
- 3 ALL MATERIALS AND FINISHES COMPLY WITH ROHS DIRECTIVE

Function Chart		
Terminals 1 and 2 4 and 5		Terminals 2 and 3 5 and 6
ON	NONE	ON
ON	OFF	ON
ON	NONE	(ON)
(ON)	OFF	(ON)
ON	OFF	(ON)

(ON) : momentary action
 OFF : mechanical position without electrical connection
 NONE : no mechanical position

Specifications				
Rating	Initial Contact Resistance	Insulation Resistance	Dielectric Strength	Endurance
AC 125V 20A AC 250V 20A DC 30V 20A	MAX 10 milliohms at DC 2~4V 1A	MIN 1000 M Ohms at DC 500V	AC 1,5kV/1 min (AC 1,8kV/1 sec)	Electrically 20.000 cycles at 20 cycles/min (rated load resistive) Mechanically 40.000 cycles at 20 cycles/min

Materials Chart			
1	Case	PM-EG	
2	F Contact	Silver alloy + C3602BD	
3	Common Contact	C3602BD	
4	Terminal	C2680R	
5	Frame	SPCC	Ep-Fe/Zn4/CM
6	Bushing	Zinc alloy	EP-Zn/Cu5,Ni10b
7	Actuator	C3602BD-F	Ep-Cu/Ni3
8	Nut	C3602BD	Ep-Cu/Ni3b
9	L Washer	SK-5	Ep-Fe/Ni3b
10	Shaft	SUS	
11	Rubber seal	NBR	
12	Insert molded rubber	Silcon rubber	

TE CONNECTIVITY PN	Part
7-6437630-2	AWTN1504
3-6437592-9	AWTP1504
5-6437630-0	AWTR1504
1-6437630-1	AWTS1504
1-6437630-0	AWTT1504

THIS DRAWING IS A CONTROLLED DOCUMENT.

DIMENSIONS: mm

TOLERANCES UNLESS OTHERWISE SPECIFIED:

0 PLC	± -
1 PLC	± -
2 PLC	± -
3 PLC	± -
4 PLC	± -
ANGLES	± -

MATERIAL: - FINISH: -

TOLERANCES UNLESS OTHERWISE SPECIFIED ACCORDING TO ISO 8015 and ISO 2768-f

WEIDEN 06.09.2007

TE Connectivity

POWER TOGGLE SWITCH DOUBLE POLE
 PANEL MOUNTING WATERTIGHT

SIZE: A2 CAGE CODE: 00779 DRAWING NO: C=1968501 RESTRICTED TO: -

CUSTOMER DRAWING SCALE: 1:1 SHEET: 1 of 1 REV: B2

X-ON Electronics

Largest Supplier of Electrical and Electronic Components

Click to view similar products for [Toggle Switches](#) category:

Click to view products by [TE Connectivity](#) manufacturer:

Other Similar products are found below :

[8928K478](#) [8A1-C-222](#) [020017-13](#) [60012L](#) [6006L](#) [CS115W](#) [CS120W](#) [6663](#) [7101SPDV30BE](#) [7103SDV30BE](#) [7105D](#) [7108P3YAV2BE](#)
[71YY50282](#) [7300K36](#) [7301K38](#) [7306K36](#) [7310K36](#) [7506K4](#) [7592K6](#) [7660K12](#) [7691K14](#) [7700K1](#) [8391K108](#) [8396K108](#) [8811K17](#)
[8812K14](#) [8824K14](#) [8828K13](#) [8835K3](#) [8858K44](#) [PS83-121G](#) [1-1825192-0](#) [A201SCWZB04](#) [A207SYCB04](#) [A208J61ZQ0004](#) [A221T1TCQ](#)
[A323S1CWZQ](#) [A423S1CWZG-M8](#) [1201W](#) [12156AX408](#) [12147AGKX679](#) [12246X778](#) [12TW49-3D](#) [130312](#) [13037L](#) [13001X](#)
[AE101MD1W4B04](#) [AE208SD1W4B04](#) [MS24659-22D](#) [MS27407-5](#)